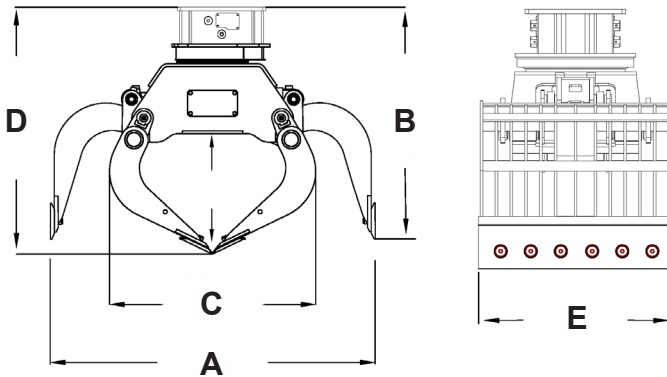
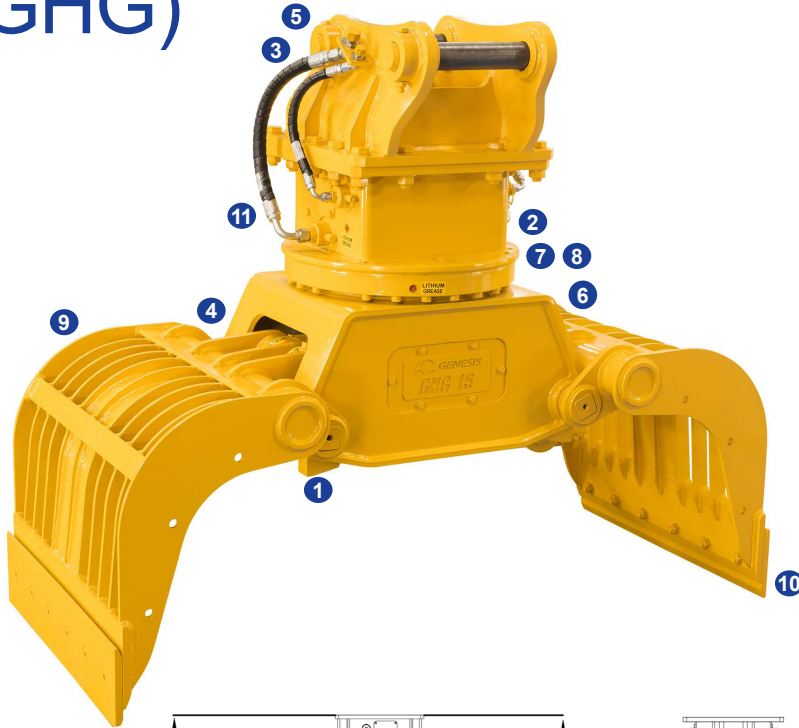


Handling Grapple (GHG)



FEATURES

- 1 Oversized main pins combined with wear bushings and sealed with O-rings
- 2 Powerful hydraulic rotation motor - models GHG 20 and larger feature dual high-torque motors
- 3 No case drain line needed
- 4 Hydraulically cushioned cylinder
- 5 Hydraulic side connections
- 6 Easy maintenance
- 7 Easy accessibility for rotation speed adjustment
- 8 Pilot check valve prevents unexpected opening of the arms
- 9 High-wear areas manufactured of abrasion-resistant Hardox®
- 10 Cutters feature a hardness of 500HB
- 11 Break valves integrated into the hydraulic motor

APPLICATIONS

- Waste Handling and Recycling
- C & D Material Handling and Sorting
- Primary Demolition

Model	Capacity (yd ³)	Weight* (lbs.)	Jaw Open Width (A) (ins.)	Jaw Open Height (B) (ins.)	Jaw Closed Width (C) (ins.)	Jaw Closed Height (D) (ins.)	Tine Width Footprint (E) (ins.)	Recommended Machine Size (lbs.)
GHG 4	0.12	380	45	33	28	35.5	18	5,500 - 9,000
GHG 6	0.2	640	53	41	34	44	20	9,000 - 13,000
GHG 9	0.24	990	64	43	39	47	23	11,000 - 20,000
GHG 14	0.4	1,415	71	46	44.5	52	28	15,000 - 31,000
GHG 16	0.6	1,930	73	49	48	54	34	22,000 - 35,000
GHG 20	0.65	2,755	81	51	52	57	37	31,000 - 44,000
GHG 25	0.8	3,200	85	52	52	59	44	35,000 - 57,000
GHG 30	1.0	4,080	95	57	62	65	44	40,000 - 66,000
GHG 40	1.2	4,520	95	59	62	65	54	55,000 - 88,000
GHG 50	1.4	5,510	96	61	66	65	57	77,000 - 110,000

* Weight does not include mounting bracket.
 Genesis Handling Grapples are covered by a 12-month, 1,500-hour (whichever occurs first) warranty.
 Patents: [genesisattachments.com/products/patents](https://www.genesisattachments.com/products/patents)
 Hardox is a trademark of the SSAB group of companies.