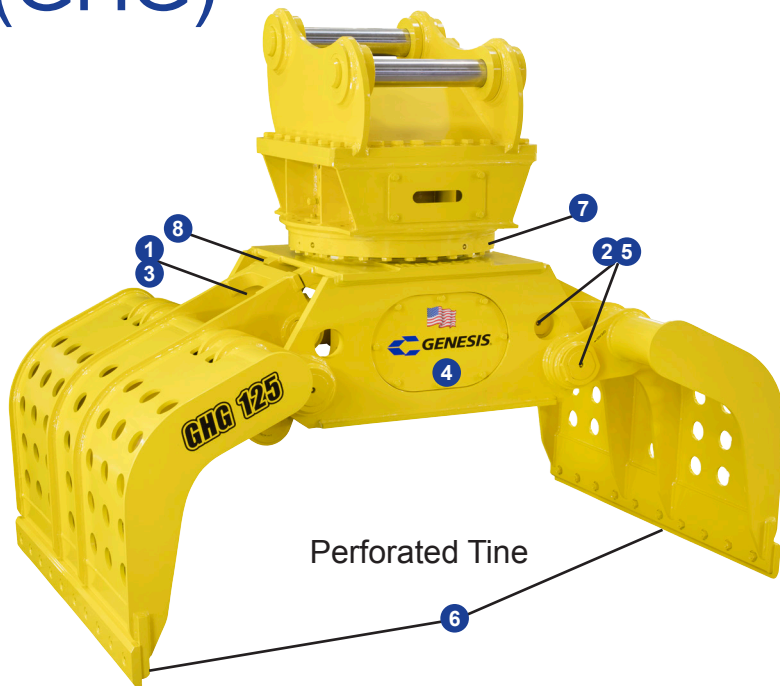


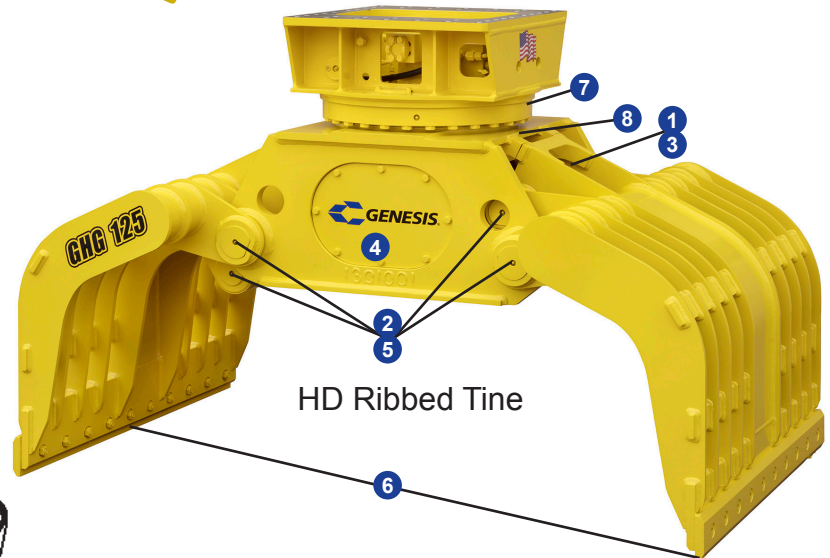
Handling Grapple (GHG)

FEATURES

- 1 Single cylinder with dual drag links minimizes the number of moving parts and simplifies the hydraulic system
- 2 Streamlined tine, frame and linkage design with easy-to-locate grease fittings simplifies maintenance
- 3 Oversized cylinder design incorporates rod protection, maximum crushing force to densify material, bolt-on gland cap for durability, and easy maintenance
- 4 Large recessed side covers provide easy access to internal components while protecting the cover fasteners
- 5 Common pins, pin keepers and bearings
- 6 Tines close at a very flat angle to assist in compacting material
- 7 Strong rotation system resists back-driving forces when compressing material
- 8 Positive tine stops take the load off the cylinder, extending life

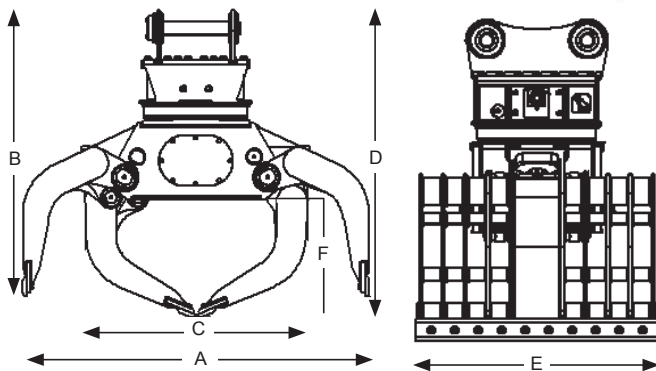


Perforated Tine



HD Ribbed Tine

Ribbed and Perforated Tine



APPLICATIONS

- Waste Handling and Recycling
- C & D Material Handling and Sorting
- Primary Demolition

Metric Specs:

Model	Capacity (m ³)	Weight* (kg)		A	B	C	D	E	F	Min. Machine Size (mt)
		Ribbed	Perforated	Jaw Open Width (mm)	Jaw Open Height (mm)	Jaw Closed Width (mm)	Jaw Closed Height (mm)	Tine Width Footprint (mm)	Jaw Closed Depth (mm)	
GHG 125	0.96	2,223	2,177	2,210	1,791	1,422	1,905	1,346	711	25 - 38

*Weight includes connection bracket.

Genesis Handling Grapples are covered by a 12-month, 1,500-hour (whichever occurs first) warranty.

Genesis reserves the right to continually make product improvements designed to positively enhance product performance.

Patents: genesisattachments.com/patents