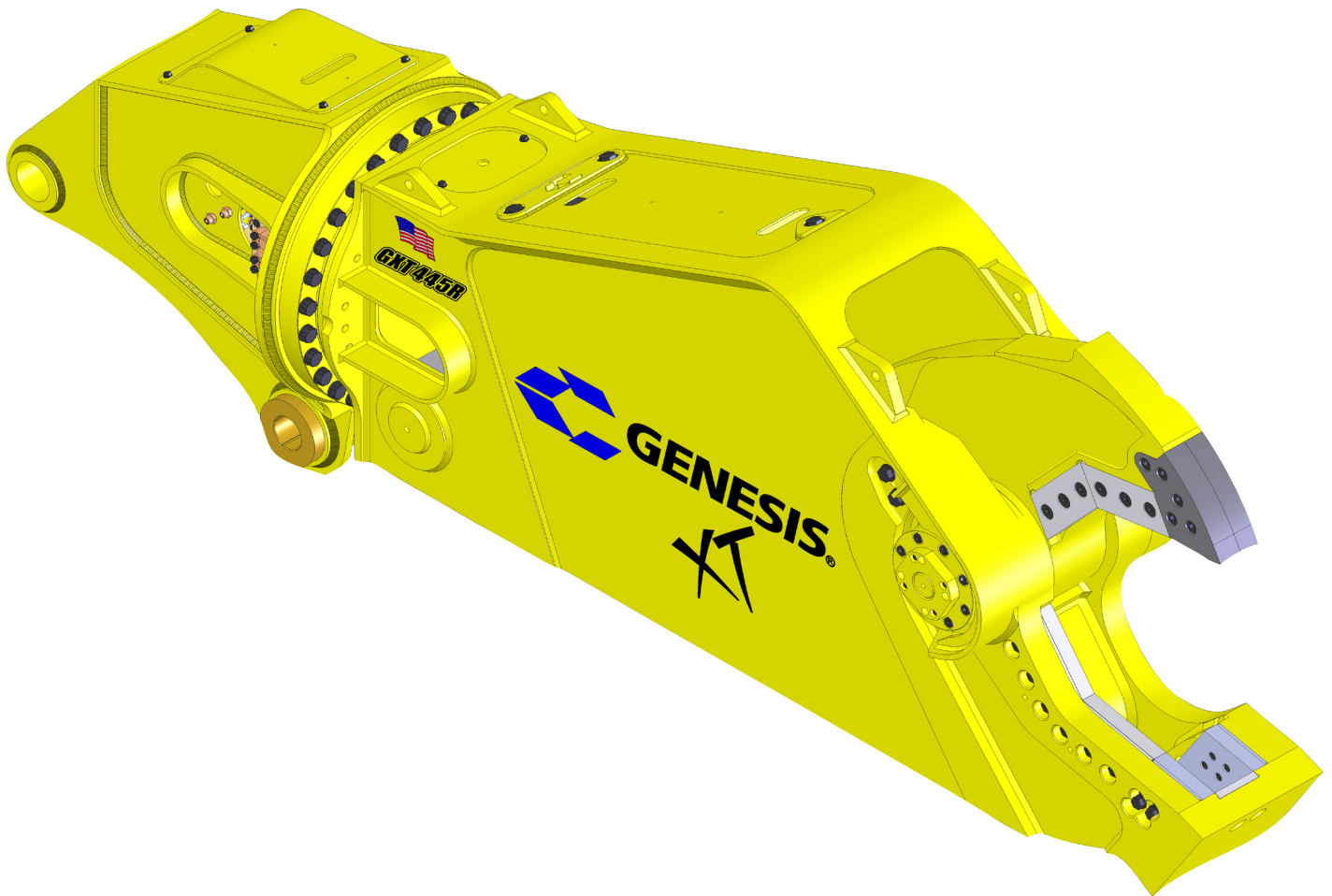


GENESIS®

The Promise of Performance.

GXT 445R Mobile Shear

PARTS MANUAL



CONTACT INFORMATION

Genesis Attachments

1000 Genesis Drive
Superior, WI 54880 USA

Toll Free: 888-SHEAR-IT
(888-743-2748)

Phone: 715.395.5252

E-mail:
info@genesisattachments.com

Europe/Africa/Middle East Genesis GmbH

Teramostrasse 23
87700 Memmingen, Germany

Phone: +49 83 31 9 25 98 0
Fax: +49 83 31 9 25 98 80
genesis-europe.com

E-mail:
info@genesis-europe.com

Asia Pacific Representative Office

24 Upper Serangoon View #12-28
Singapore 534205

Phone: +65 9673 9730

E-mail:
tchoo@genesisattachments.com

Central America & Colombia

Cra 13A #89-38 / Ofi 613
Bogota, Colombia

Phone: +57 1 610 8160 / 795 8747

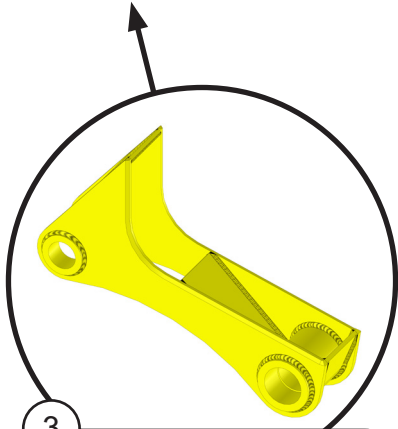
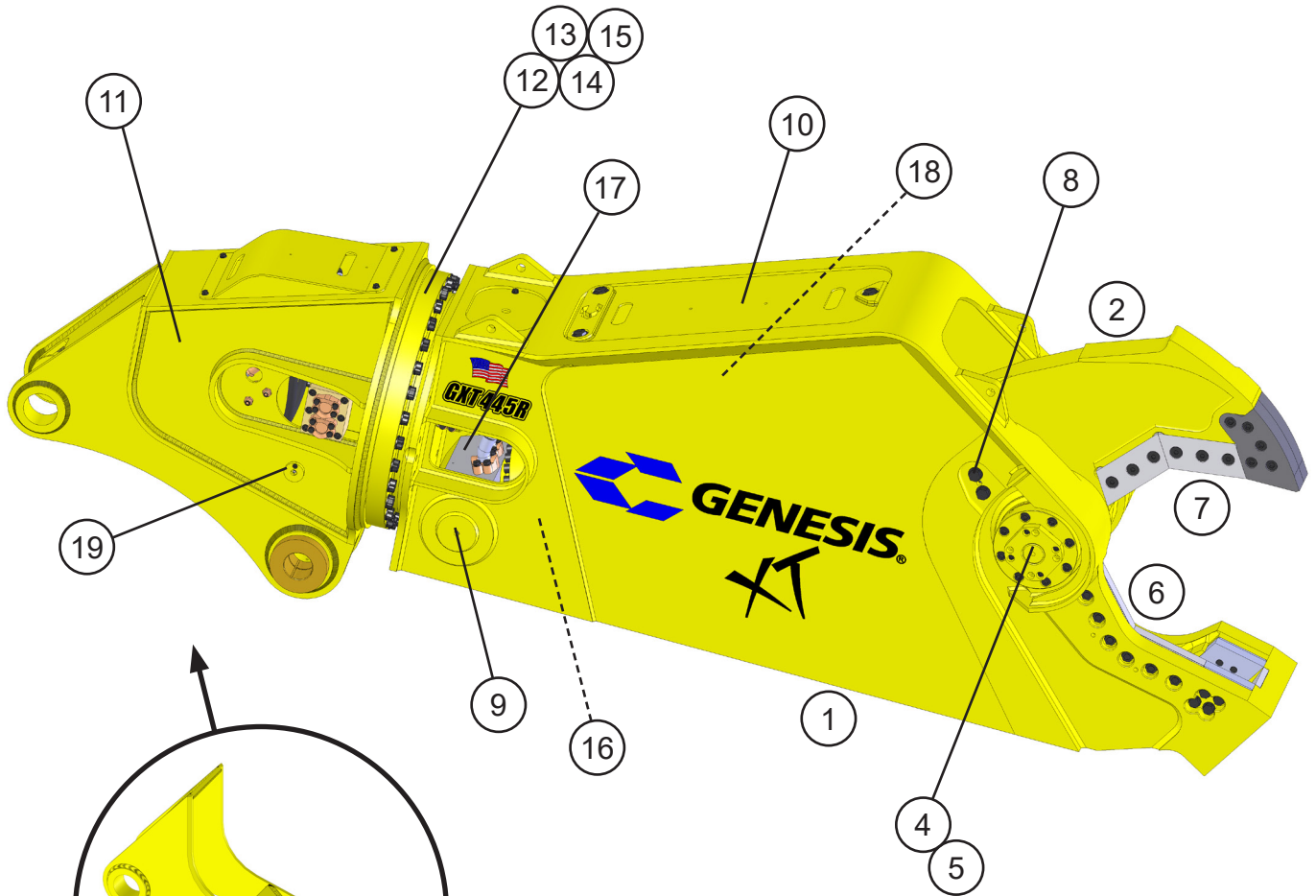
E-mail:
contact@themsagroup.com

View and download all manuals: [genesisattachments.com/manuals](https://www.genesisattachments.com/manuals)
Patents: [genesisattachments.com/products/patents](https://www.genesisattachments.com/products/patents)

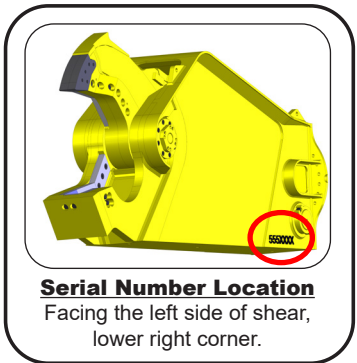
TABLE OF CONTENTS

CONTACT INFORMATION	2
GENERAL ARRANGEMENT	4
ASSEMBLY PIVOT GROUP - RIGHT SIDE	6
ASSEMBLY PIVOT GROUP - LEFT SIDE	8
ASSEMBLY LOWER BLADES	10
ASSEMBLY UPPER BLADES	12
ASSEMBLY AUTO GUIDE	14
ASSEMBLY CYLINDER PINS	16
ASSEMBLY ACCESS COVERS	18
ASSEMBLY UPPER HEAD	20
ASSEMBLY ROTATION	22
ASSEMBLY ROTATION CIRCUIT	24
SUB-ASSEMBLY ROTATE CROSS-OVER / C'BAL	26
SUB-ASSEMBLY LINE MOUNT MANIFOLD	28
ASSEMBLY OPEN AND CLOSE CIRCUIT	30
ASSEMBLY SWIVEL MANIFOLD	32
REGEN BLOCK SUB-ASSEMBLY - 6360021	34
ASSEMBLY SLEWING RING LUBRICATION	36
BOLT TORQUE SPECIFICATIONS	38
THREAD TREATMENT DIAGRAM	39
Mobile Shears.....	39
PROCEDURES	40
Cleaning.....	40
Threadlocker.....	40
Anti-Seize.....	41
No Thread Treatment.....	41
BOLT TORQUE SPECIFICATIONS	42
Dry Torque Values.....	42
Wet Torque Values.....	42
O-RING BOSS & FLAT FACE O-RING TORQUE SPECIFICATIONS	43
BOLT DRIVE SPECIFICATIONS	44
WARRANTY	45
Claim Procedure.....	45
Blade Warranty.....	45
PARTS ORDER POLICY AND PROCEDURE	46
Parts Orders Should Include.....	46
Placing Orders.....	46
Part Numbers.....	46
Shipping.....	46
Invoices.....	46
Returns.....	46
Warranty Returns.....	46
PARTS ORDER FORM	47
INDEX	48
CONTACT INFORMATION	50

GENERAL ARRANGEMENT



3
Wtmg Lug Upper Head
 Part Number is Serial Number specific.
 For replacement parts call the Genesis
 Parts Department.
USA **Europe**
 715-395-5614 +49 83 31 9 25 98 0
 715-395-3405



Serial Number Location
 Facing the left side of shear,
 lower right corner.

GENERAL ARRANGEMENT

ITEM	QTY	PART NUMBER	DESCRIPTION
1	1	*	Wtmg Stick
2	1	*	Wtmg Upper
3		*	Wtmg Lug Upper Head
4		See page 6	Assembly Pivot Group - Right Side
5		See page 8	Assembly Pivot Group - Left Side
6		See page 10	Assembly Lower Blades
7		See page 12	Assembly Upper Blades
8		See page 14	Assembly Auto Guide
9		See page 16	Assembly Cylinder Pins
10		See page 18	Assembly Access Covers
11		See page 20	Assembly Upper Head
12		See page 22	Assembly Rotation
13		See page 24	Assembly Rotation Circuit
14		See page 26	Sub-Assembly Rotate Cross-over / C'bal
15		See page 28	Sub-Assembly Line Mount Manifold
16		See page 30	Assembly Open and Close Circuit
17		See page 32	Assembly Swivel Manifold
18		See page 34	Sub-Assembly Regen Block
19		See page 36	Assembly Slewing Ring Lubrication

* Part numbers are Serial Number specific. For replacement parts call the Genesis Parts Department.

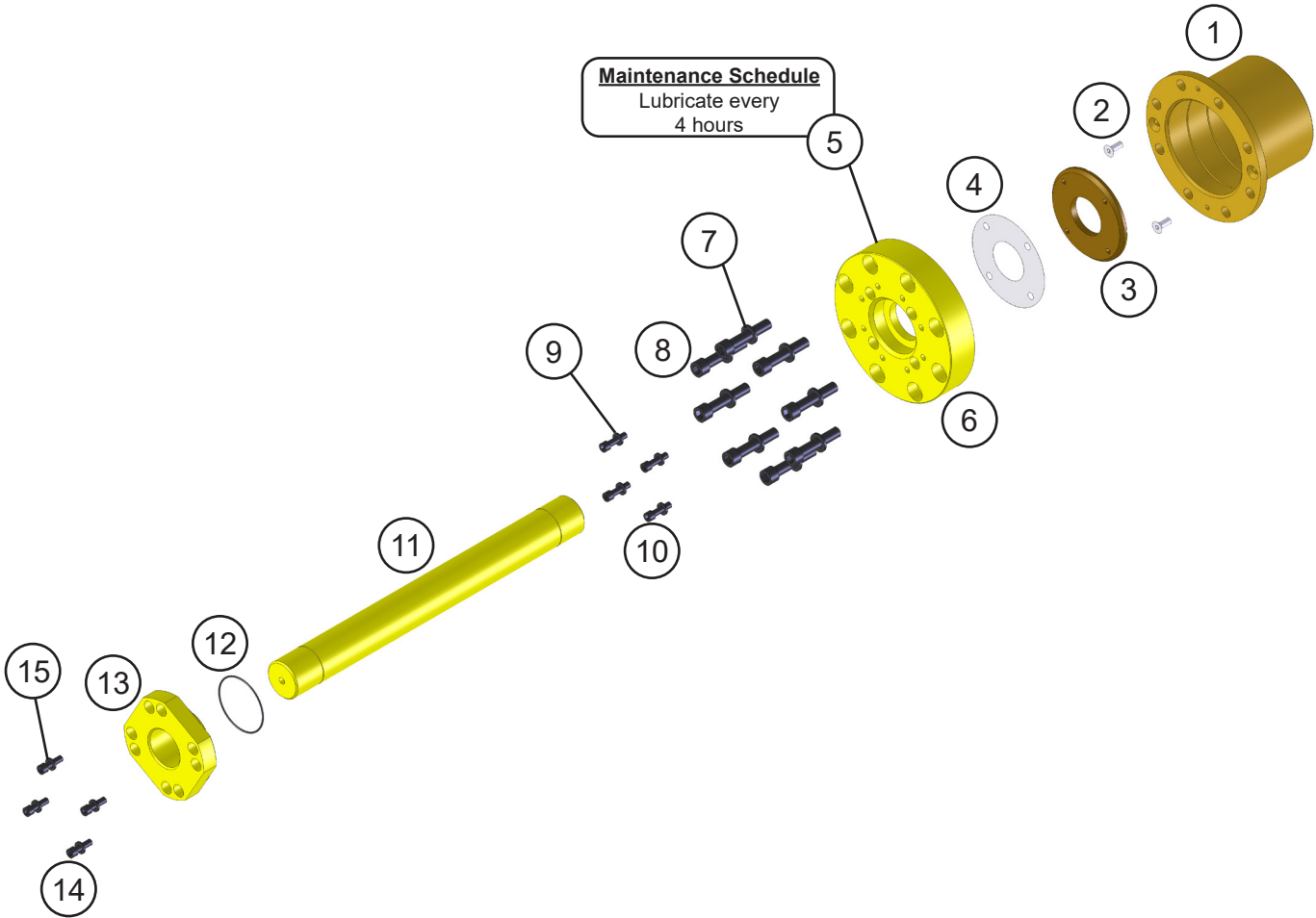
USA

715-395-3488

Europe

+49 83 31 9 25 98 0

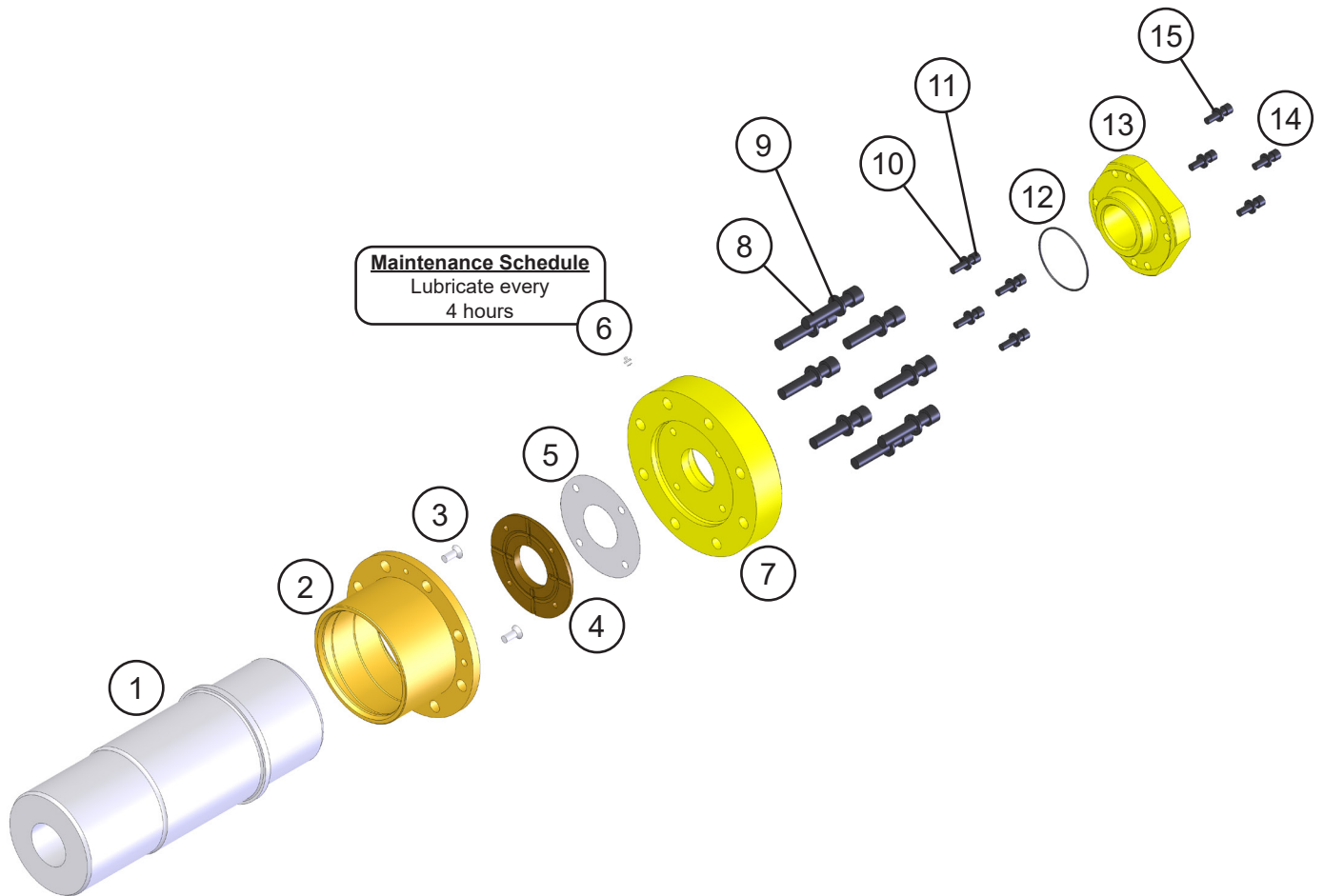
ASSEMBLY PIVOT GROUP - RIGHT SIDE



ASSEMBLY PIVOT GROUP - RIGHT SIDE

ITEM	QTY	PART NUMBER	DESCRIPTION
1	1	1100177	Mach Bearing
2	2	F0412030	Flat Head Capscrew M12 x 1.75 x 30
3	1	1100061	Mach Thrust Washer
4	1	1100086	Shim Set Thrust Washer
5	1	6200002	Grease Fitting
6	1	1106540	Mach End Cap
7	8	F1202037	Flat Washer M20
8	8	F0620080	Socket Head Capscrew M20 x 2.50 x 80
9	4	F1201021	Flat Washer M10
10	4	F0610035	Socket Head Capscrew M10 x 1.50 x 35
11	1	1106544	Mach Tie Rod
12	1	S0190238	O-Ring
13	1	1106542	Mach Tie Rod Nut
14	4	F0612040	Socket Head Capscrew M12 x 1.75 x 40
15	4	F1201224	Flat Washer M12

ASSEMBLY PIVOT GROUP - LEFT SIDE



ASSEMBLY PIVOT GROUP - LEFT SIDE

ITEM	QTY	PART NUMBER	DESCRIPTION
1	1	*	Mach Main Shaft
2	1	1100178	Mach Bearing
3	2	F0412030	Flat Head Capscrew M12 x 1.75 x 30
4	1	1100061	Mach Thrust Washer
5	1	1100086	Shim Set Thrust Washer
6	1	6200002	Grease Fitting
7	1	1106540	Mach End Cap
8	8	F1202037	Flat Washer M20
9	8	F0620080	Socket Head Capscrew M20 x 2.50 x 80
10	4	F1201021	Flat Washer M10
11	4	F0610035	Socket Head Capscrew M10 x 1.50 x 35
12	1	S0190238	O-Ring
13	1	1106542	Mach Tie Rod Nut
14	4	F0612040	Socket Head Capscrew M12 x 1.75 x 40
15	4	F1201224	Flat Washer M12

* Part number is Serial Number specific. For replacement parts call the Genesis Parts Department.

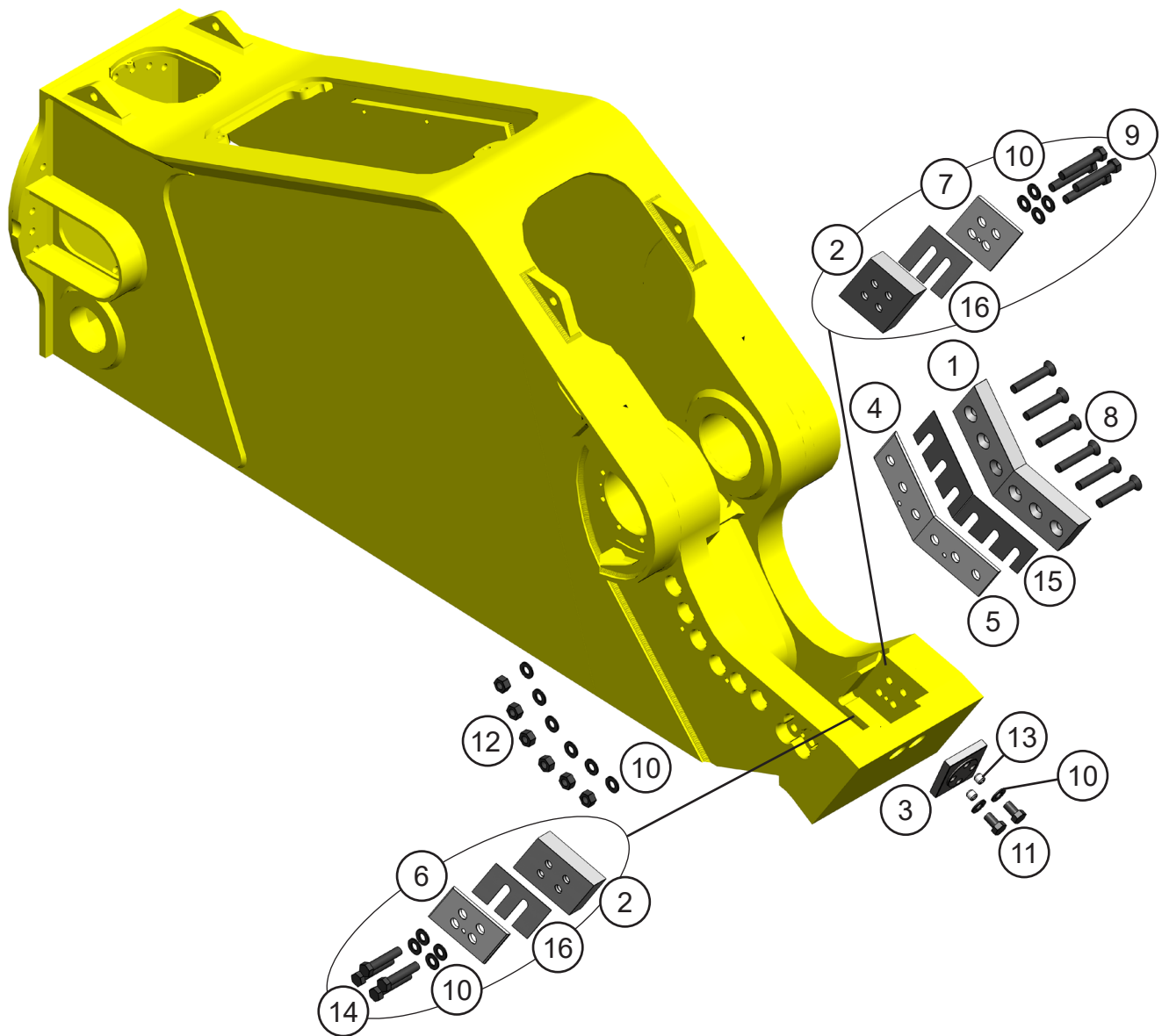
USA

715-395-3488

Europe

+49 83 31 9 25 98 0

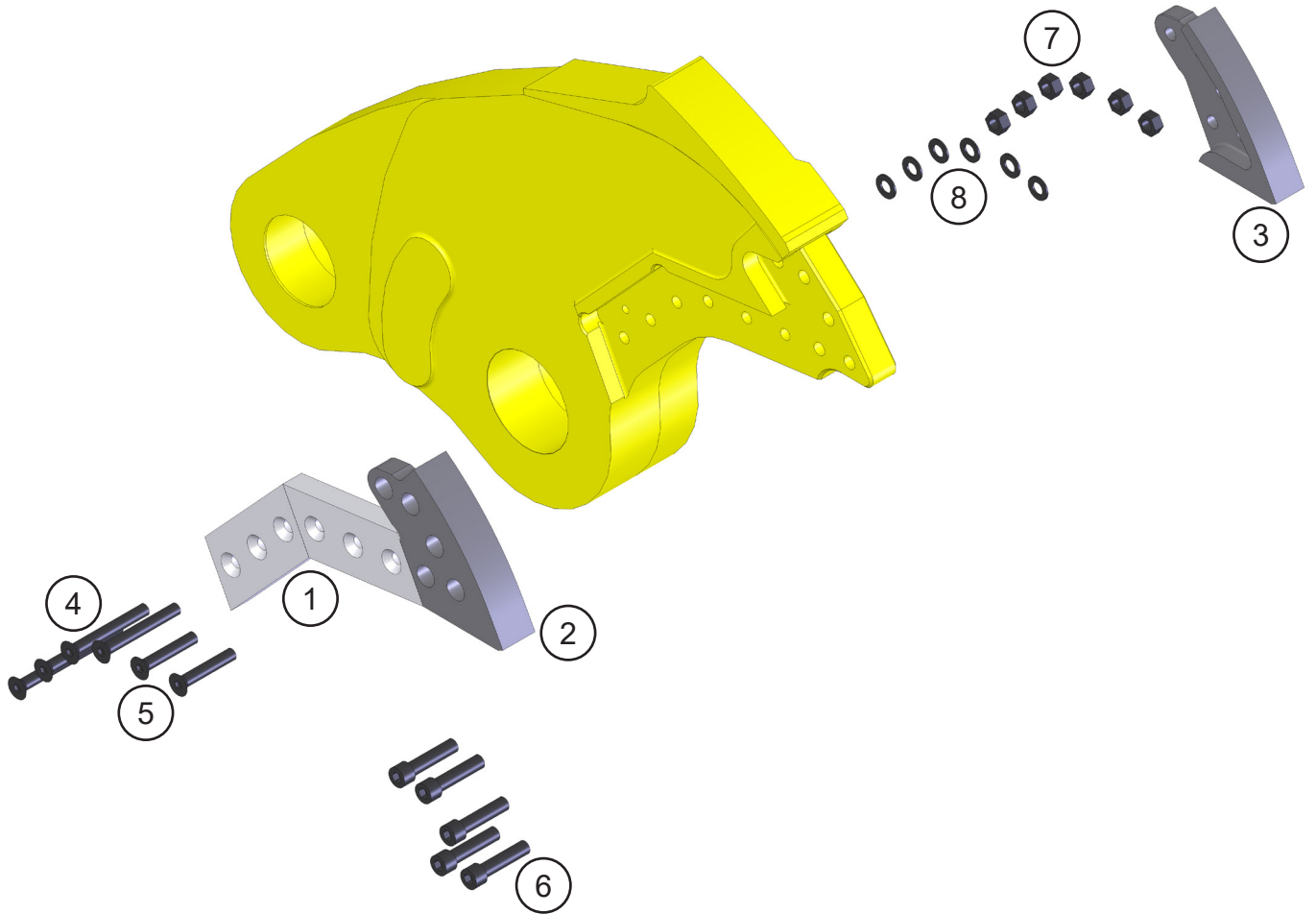
ASSEMBLY LOWER BLADES



ASSEMBLY LOWER BLADES

ITEM	QTY	PART NUMBER	DESCRIPTION
1	2	1106412	Mach Blade
2	2	1105941	Mach Blade Guide
3	1	1101955	Mach Blade Razor
4	1	1106550	Mach Adjust Plate Primary
5	1	1106548	Mach Adjust Plate Secondary
6	1	1106413	Mach Guide Blade Adjust Plate
7	1	1106414	Mach Guide Blade Adjust Plate
8	6	F0588500	Flat Head Capscrew $\frac{7}{8}$ - 9 x 5
9	4	F0288450	Hex Head Capscrew $\frac{7}{8}$ - 9 x 4 $\frac{1}{2}$
10	16	F1300088	Flat Washer Narrow $\frac{7}{8}$
11	2	F0288200	Hex Head Capscrew $\frac{7}{8}$ - 9 x 2
12	6	F0908809	Hex Nut $\frac{7}{8}$ - 9
13	2	F2588088	Set Screw Socket Head $\frac{7}{8}$ - 9 x $\frac{7}{8}$
14	4	F0288400	Hex Head Capscrew $\frac{7}{8}$ - 9 x 4
15		1106693	Shim Set, Blade
16		1106477	Shim Set, Guide Blade

ASSEMBLY UPPER BLADES

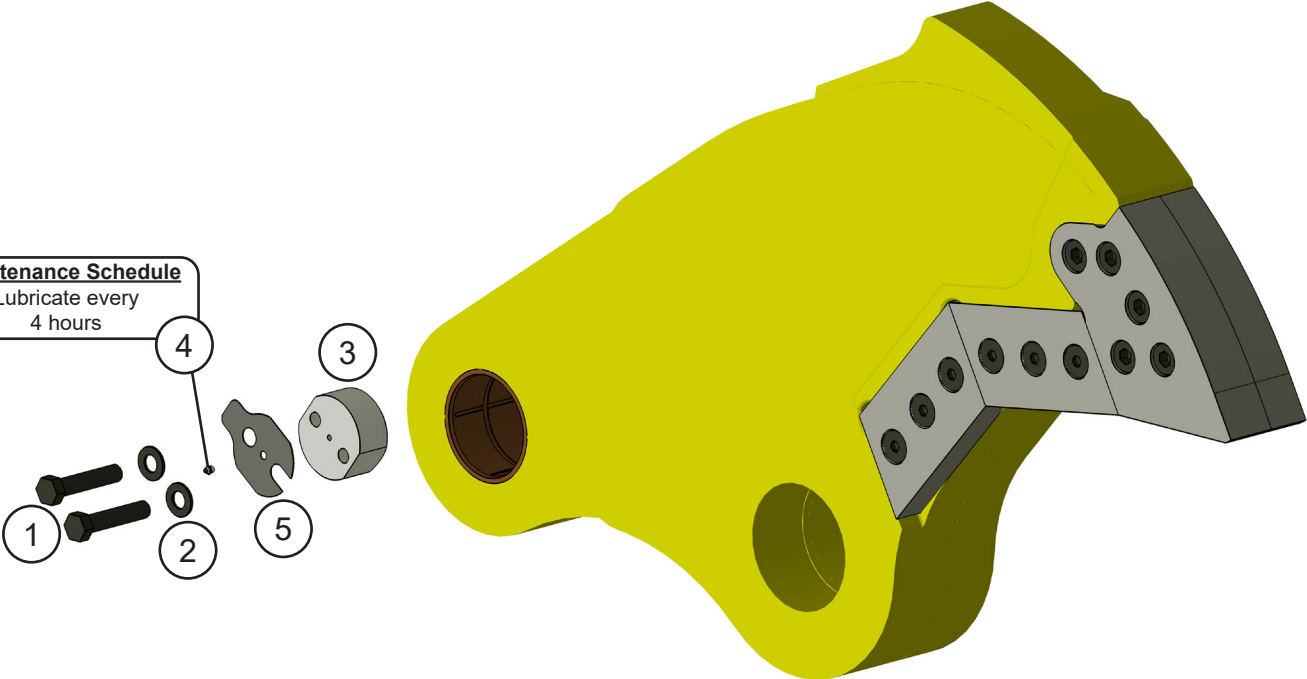


ASSEMBLY UPPER BLADES

ITEM	QTY	PART NUMBER	DESCRIPTION
1	2	1106412	Mach Blade
2	1	1105939	Mach Blade Tip Right
3	1	1105940	Mach Blade Tip Left
4	4	F0588650	Flat Head Capscrew $\frac{7}{8}$ - 9 x 6 $\frac{1}{2}$
5	2	F0588500	Flat Head Capscrew $\frac{7}{8}$ - 9 x 5
6	5	1103609	Mach Bolt Socket Head Capscrew 1 - 8 x 4 $\frac{1}{4}$
7	6	F0908809	Hex Nut $\frac{7}{8}$ - 9
8	6	F1300088	Flat Washer Narrow $\frac{7}{8}$

ASSEMBLY AUTO GUIDE

Maintenance Schedule
Lubricate every
4 hours



ASSEMBLY AUTO GUIDE

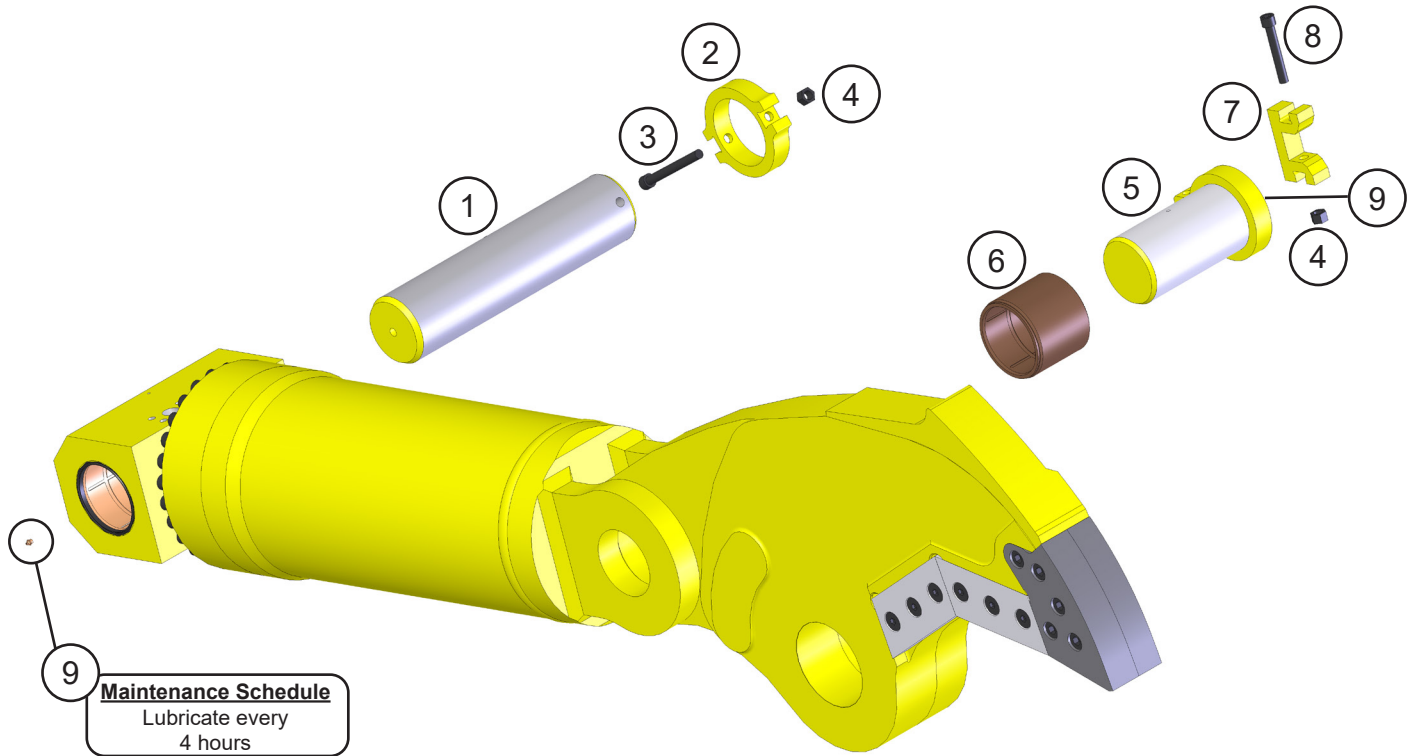
ITEM	QTY	PART NUMBER	DESCRIPTION
1	2	F0210500	Hex Head Capscrew 1 - 8 x 5
2	2	F1300100	Flat Washer Narrow 1"
3	1	*	Mach Auto Guide
4	1	6200002	Grease Fitting
5		1106478	Shim Set, Auto Guide

* Part number is Serial Number specific. For replacement parts call the Genesis Parts Department.

USA
715-395-3488

Europe
+49 83 31 9 25 98 0

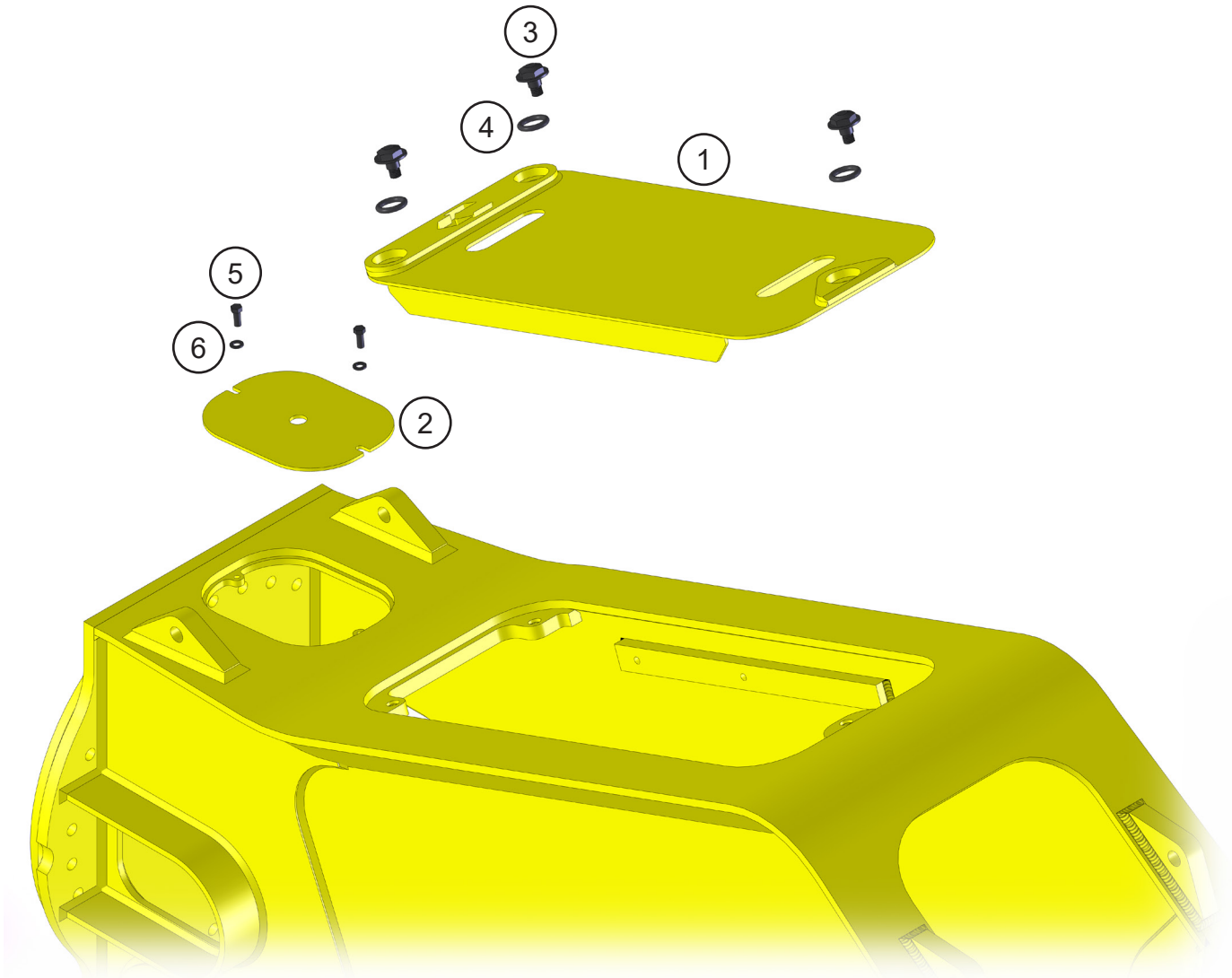
ASSEMBLY CYLINDER PINS



ASSEMBLY CYLINDER PINS

ITEM	QTY	PART NUMBER	DESCRIPTION
1	1	1106547	Mach Rear Cyl Pin
2	1	1106571	Mach Pin Keeper Rear
3	1	F0620180	Socket Head Capscrew M20 x 2.50 x 180
4	2	F1020250	Nylock Hex Nut M20 x 2.50
5	1	1106546	Wldt Front Cyl Pin
6	1	1106592	Mach Bearing Upper Cylinder Connection
7	1	3500350	Mach Pin Keeper (Clevis)
8	1	F0620100	Socket Head Capscrew M20 x 2.50 x 100
9	2	6200002	Grease Fitting

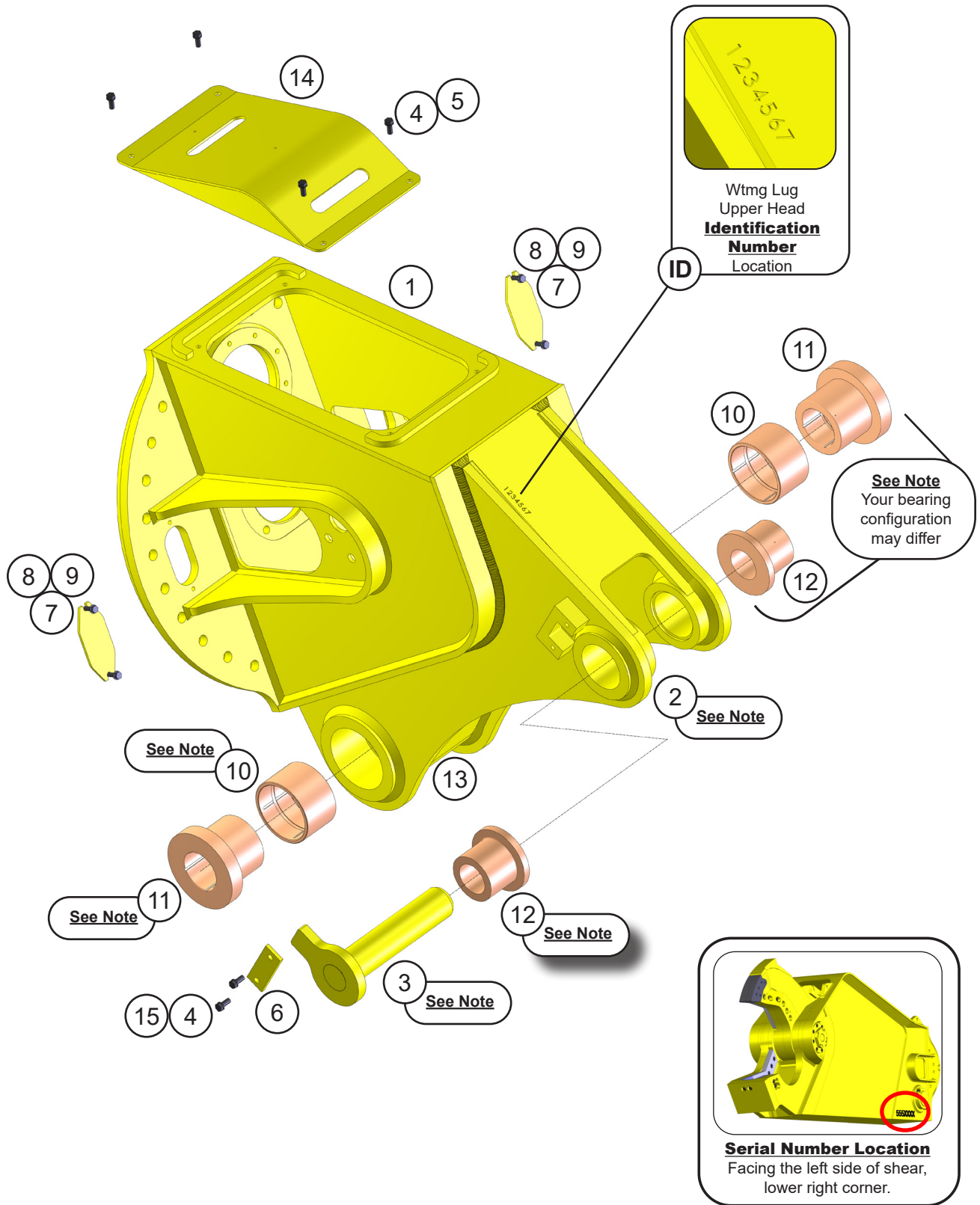
ASSEMBLY ACCESS COVERS



ASSEMBLY ACCESS COVERS

ITEM	QTY	PART NUMBER	DESCRIPTION
1	1	1107352	Wldt Cover
2	1	1107838	Plt Rear Cover
3	3	1105854	Mach Flange Shoulder Bolt
4	3	6301112	O-Ring
5	2	F0112020	Hex Head Capscrew M12 x 1.75 x 20
6	2	F1201224	Flat Washer M12

ASSEMBLY UPPER HEAD



ASSEMBLY UPPER HEAD

ITEM	QTY	PART NUMBER	DESCRIPTION
1	1	5512420	Wtmg Sub Head
2	1	*	Wtmg Lug Upper Head
3	1	*	Wldt Pin
4	6	F0112030	Hex Head Capscrew M12 x 1.75 x 30
5	4	F1201224	Flat Washer M12
6	1	5500752	Plt Strap
7	2	1105883	Plt Bolt Cover
8	4	F0110030	Hex Head Capscrew M10 x 1.50 x 30
9	4	F1201021	Flat Washer M10
10	2	*	Mach Bearing
11	2	*	Mach Boom Bearing
12	2	*	Mach Spacer Sleeve
13	1	6200002	Grease Fitting
14	2	1105878	Wtmg Sub Head Cover
15	2	F1401200	Lock Washer M12

* Part numbers are Serial Number specific. For replacement parts call the Genesis Parts Department.

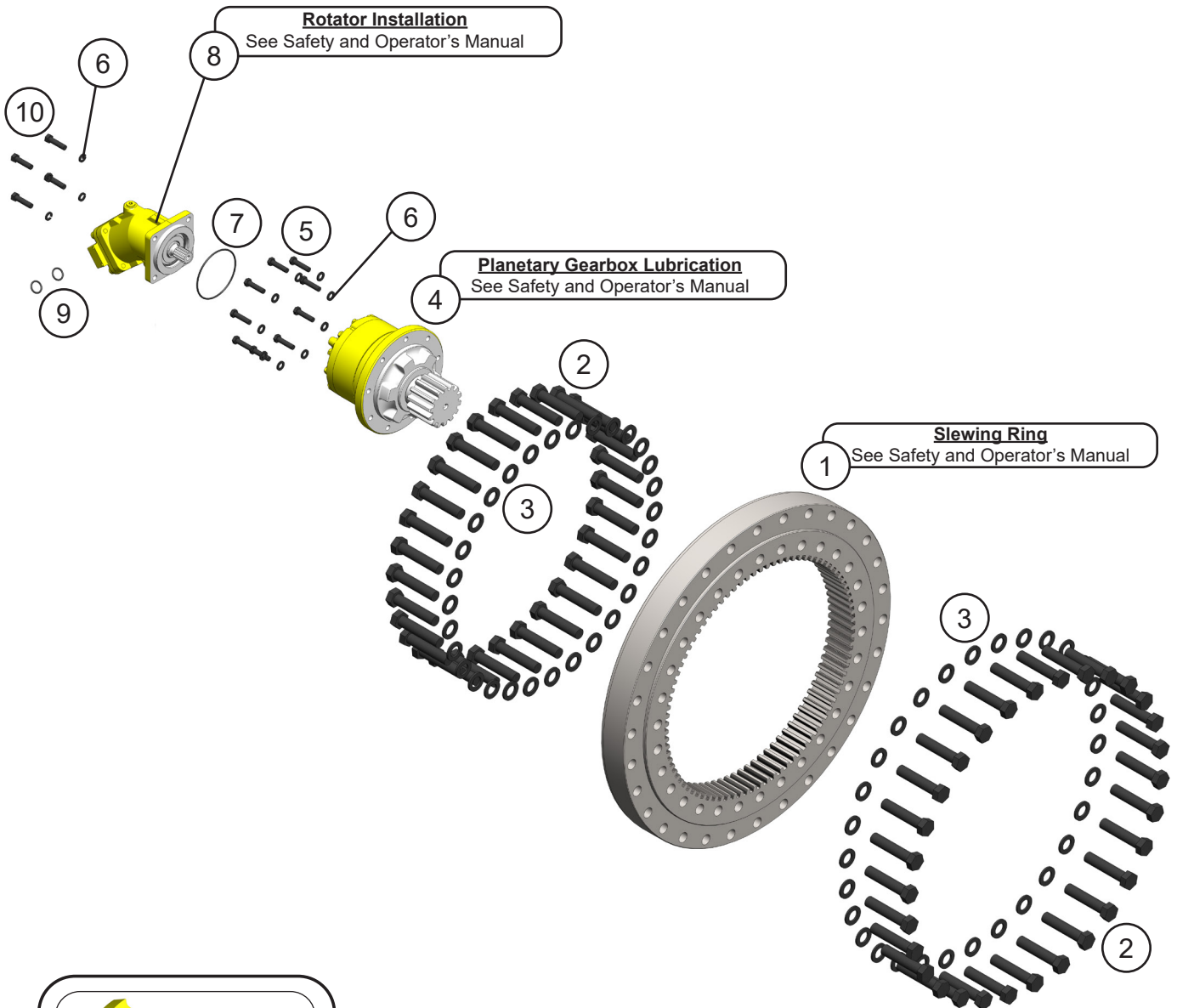
USA

715-395-3488

Europe

+49 83 31 9 25 98 0

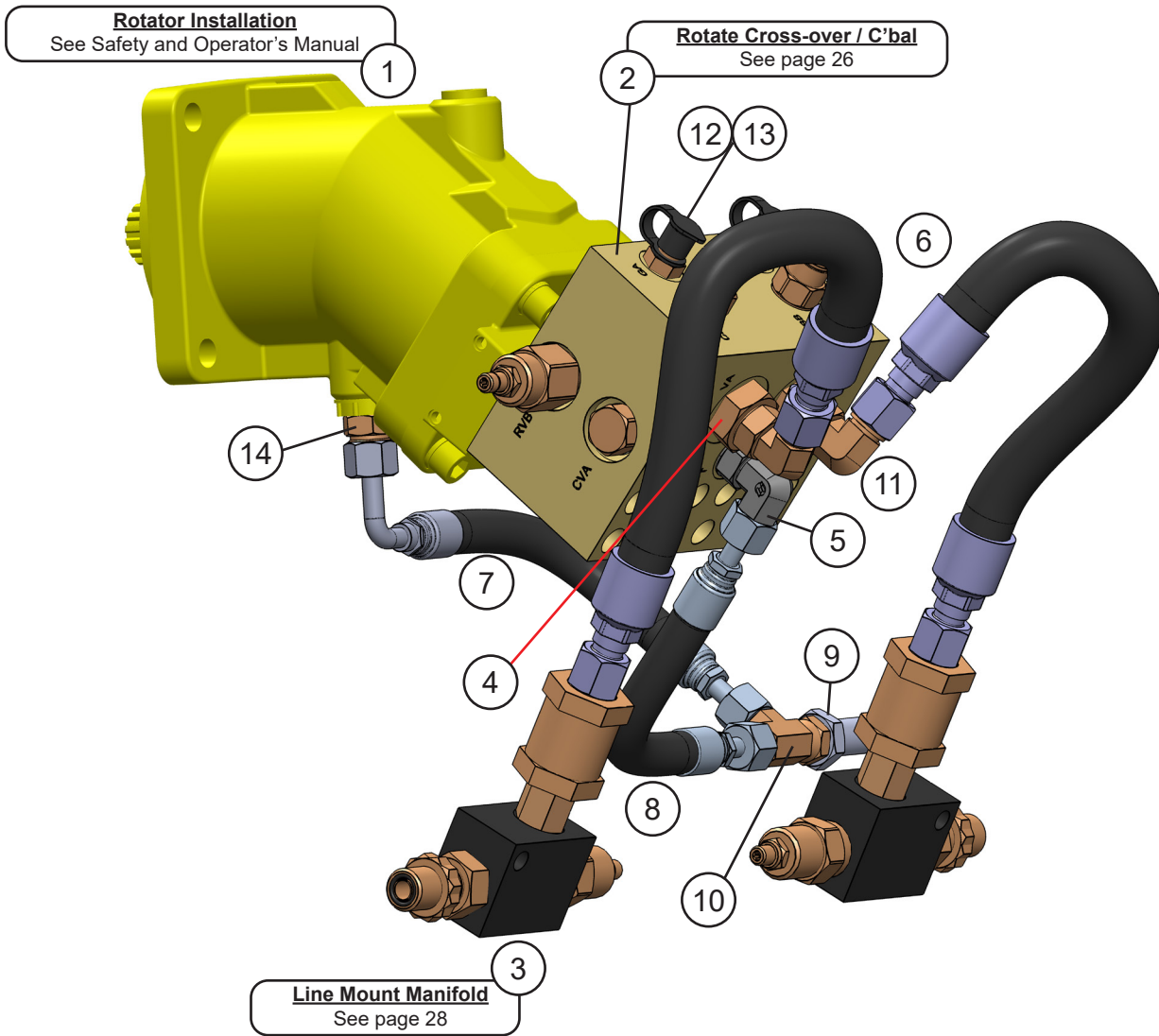
ASSEMBLY ROTATION



ASSEMBLY ROTATION

ITEM	QTY	PART NUMBER	DESCRIPTION
1	1	6300429	Bearing Slewing
2	60	F0127130	Hex Head Capscrew M27 x 3 x 130
3	60	F2802700	Hytorc Washer
4	1	6300445	Gear Box
5	9	F0112050	Hex Head Capscrew M12 x 1.75 x 50
6	13	F1900050	Wedge Lock Washer ½
7	1	S0190250	O-Ring
8	1	6340012	Motor
9	2	S0190214	O-Ring
10	4	F0250150	Hex Head Capscrew ½ - 13 x 1½

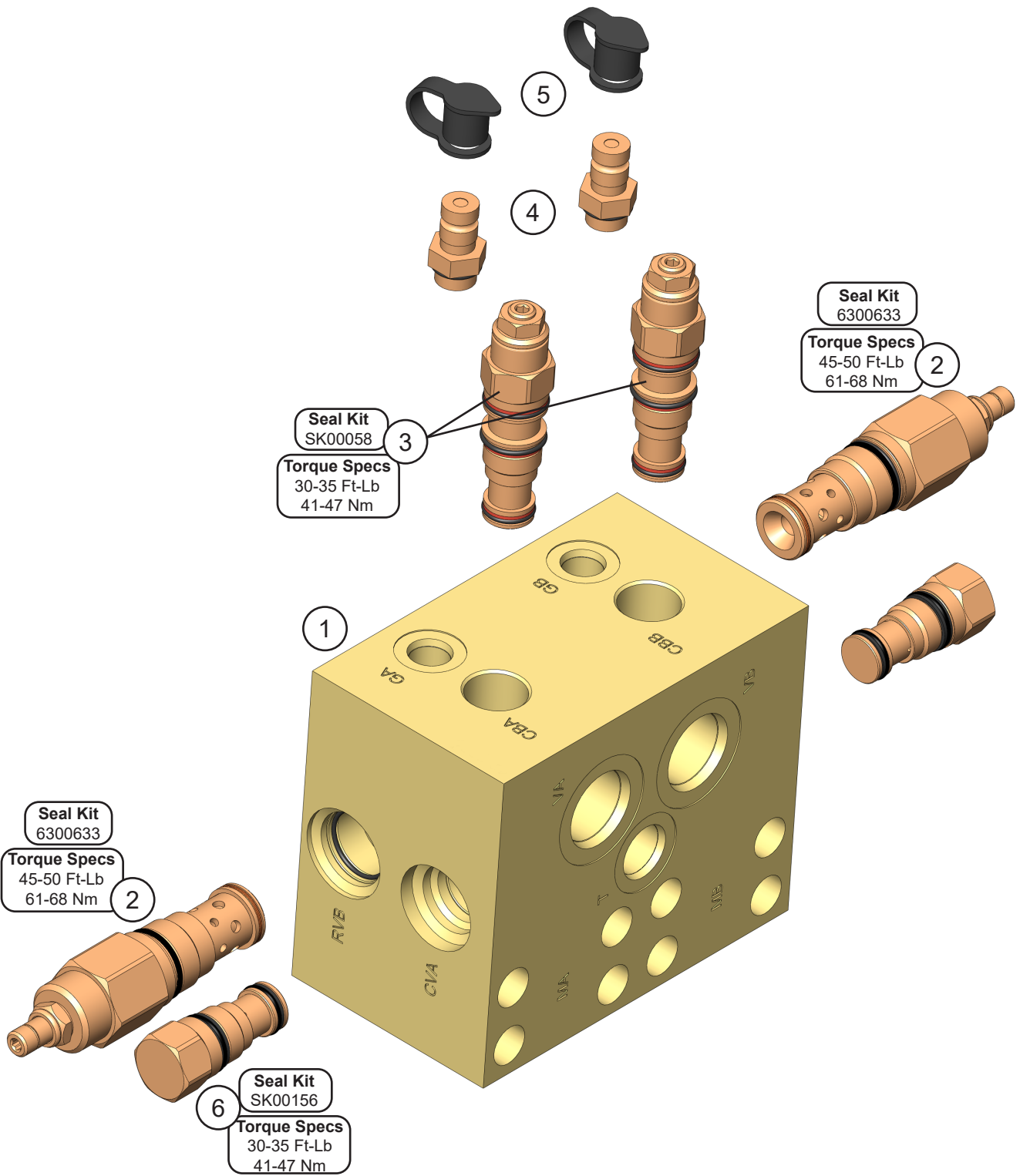
ASSEMBLY ROTATION CIRCUIT



ASSEMBLY ROTATION CIRCUIT

ITEM	QTY	PART NUMBER	DESCRIPTION
1	1	See page 22	Assembly Rotation
2	1	See page 26	Sub-Assembly Rotate Cross-over/C'bal
3	2	See page 28	Sub-Assembly Line Mount Manifold
4	2	6300512	Adaptor 12MB - 08FB
5	1	6310204	Adaptor 06MO-08MB-90
6	2	1106466	Hose
7	1	1106465	Hose
8	1	1108257	Hose
9	1	6310149	Adaptor Bulkhead 06MO-06MO
10	1	6300407	Adaptor Run Tee 06FOX-06MO-06MO
11	2	6300303	Adaptor 08MB-08MO-90
12	2	6300014	Diagnostic Nipple 06MB
13	2	6310001	Diagnostic Nipple Dust Cap
14	1	6300148	Adaptor 06MO-08MB

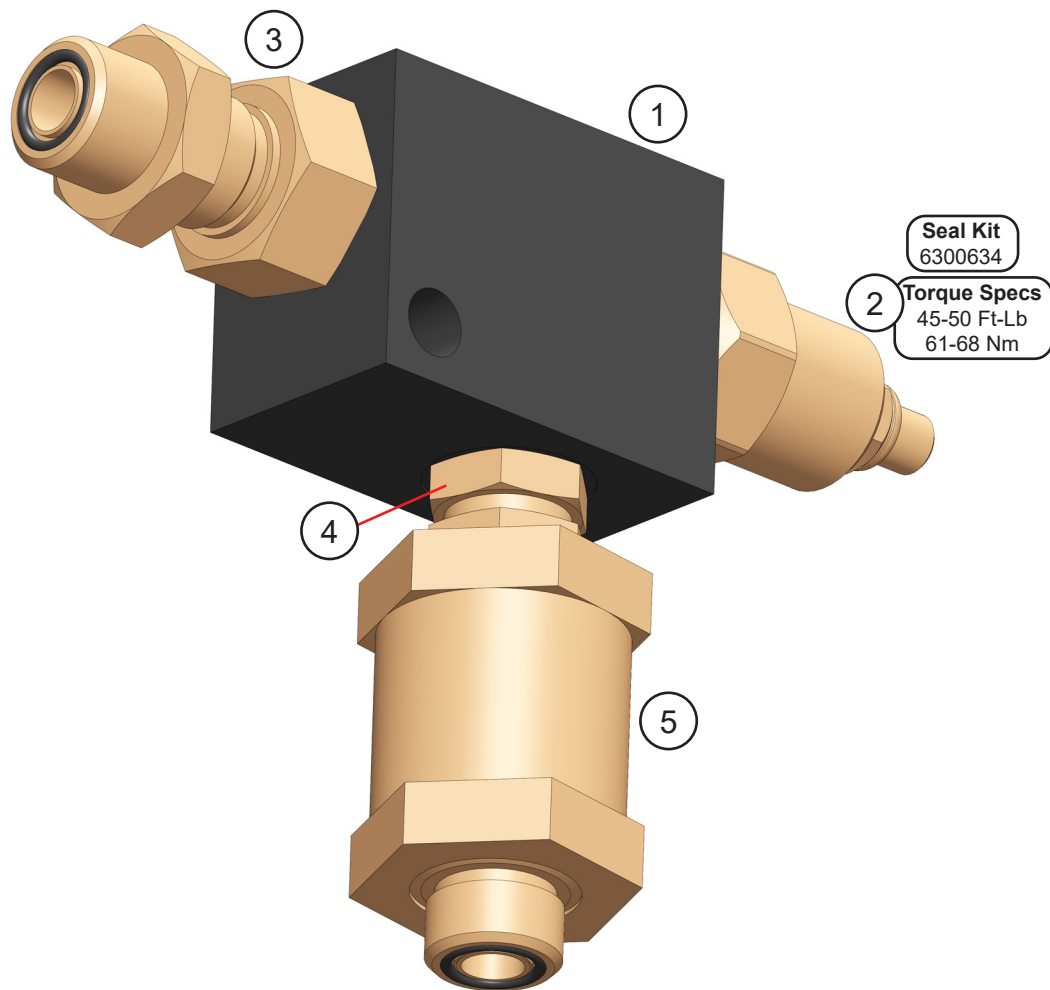
SUB-ASSEMBLY ROTATE CROSS-OVER / C'BAL



SUB-ASSEMBLY ROTATE CROSS-OVER / C'BAL

ITEM	QTY	PART NUMBER	DESCRIPTION
1	1	6380079	Valve Block
2	2	6301241	Valve Relief Seal Kit 6300633
3	2	6380035	Valve Counterbalance Seal Kit SK00058
4	2	6300014	Diagnostic Nipple 06MB
5	2	6310001	Diagnostic Nipple Dust Cap
6	2	6360088	Valve Check Seal Kit SK00156

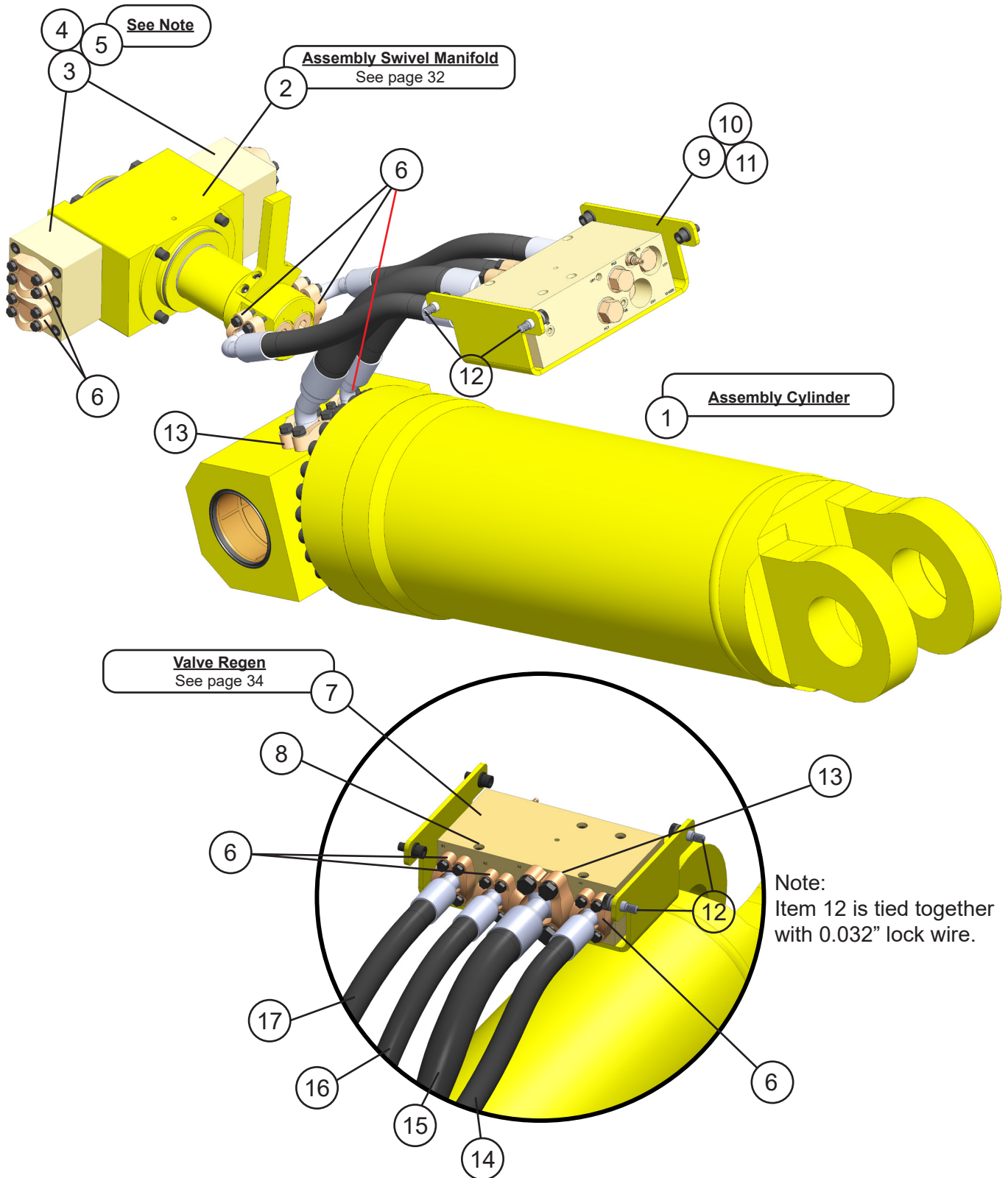
SUB-ASSEMBLY LINE MOUNT MANIFOLD



SUB-ASSEMBLY LINE MOUNT MANIFOLD

ITEM	QTY	PART NUMBER	DESCRIPTION
1	1	6300609	Valve Line Body
2	1	6300361	Valve Flow Control Seal Kit 6300634
3	1	6300497	Adaptor Bulkhead 08MB-08MO
4	1	6310183	Adaptor 08MB-08MB
5	1	6300364	Filter

ASSEMBLY OPEN AND CLOSE CIRCUIT



ASSEMBLY OPEN AND CLOSE CIRCUIT

ITEM	QTY	PART NUMBER	DESCRIPTION
1	1	*	Assembly Cylinder B13.0 R8.5 S26.00
2	1	See page 32	Assembly Swivel Manifold
3	2	*	Mach Port Block
4	12	*	Socket Head Capscrew
5	4	*	O-Ring
6	10	1-1/4" Split Flange Kit	
	2	H0262125	Split Flange Half 1.25 Code 62
	4	F0112050	Hex Head Capscrew M12 x 1.75 x 50
	4	F1401200	Lock Washer M12
	1	S0190222	O-Ring
7	1	See page 34	Valve Regen
8	4	F0612120	Socket Head Capscrew M12 x 1.75 x 120
9	1	1106552	Mach Plt Frmd Valve Tray
10	2	F0616035	Socket Head Capscrew M16 x 2 x 35
11	2	F1201630	Flat Washer M16
12	2	F3616020	Socket Head Shoulder Screw M16 x 2 x 20
13	2	1-1/2" Split Flange Kit	
	2	H0262150	Split Flange Half 1.50 Code 62
	4	F0116060	Hex Head Capscrew M16 x 2.00 x 60
	4	F1401628	Lock Washer M16
	1	S0190225	O-Ring
14	1	1106562	Hose
15	1	1106564	Hose
16	1	1106563	Hose
17	1	1106561	Hose

* Part numbers are Serial Number specific. For replacement parts call the Genesis Parts Department.

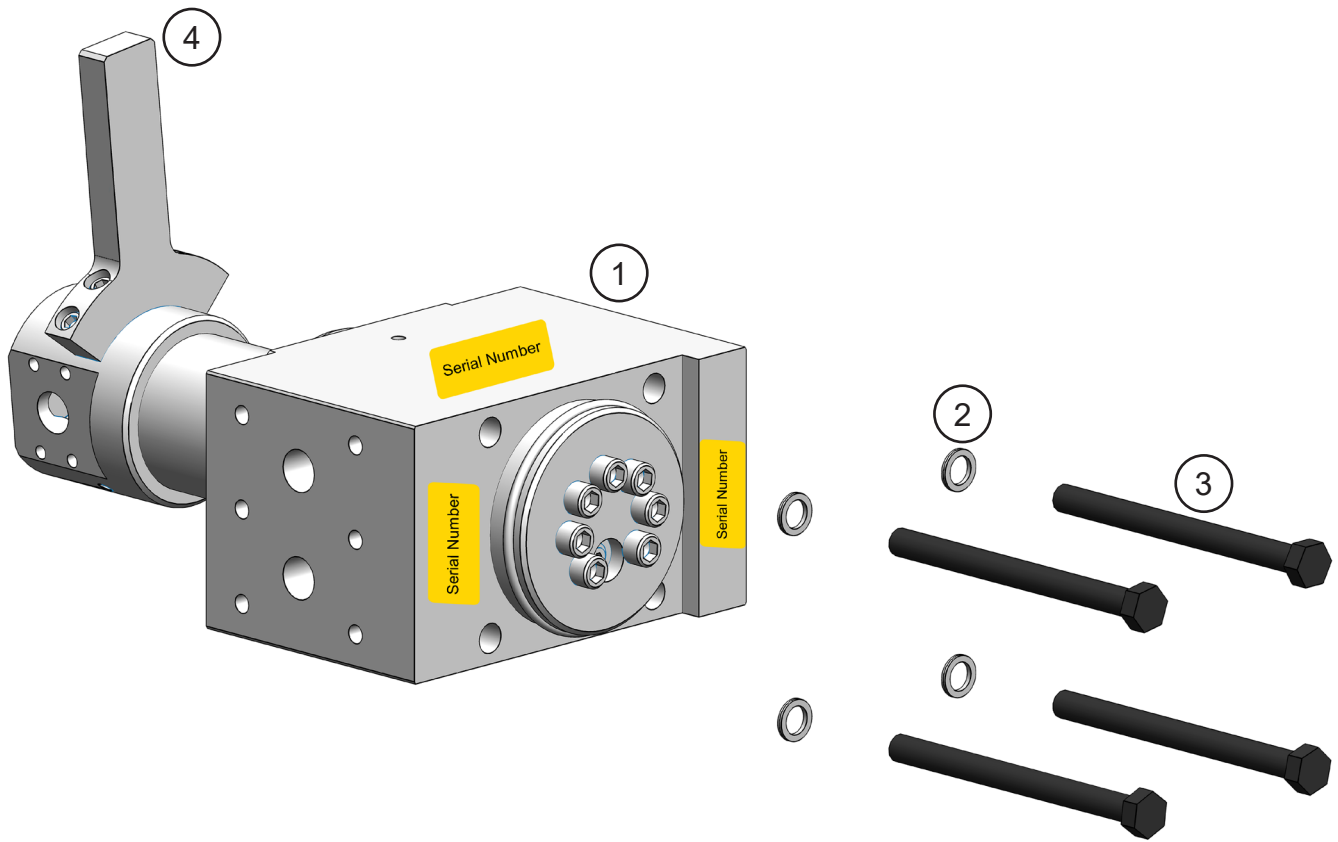
USA

715-395-3488

Europe

+49 83 31 9 25 98 0

ASSEMBLY SWIVEL MANIFOLD



ASSEMBLY SWIVEL MANIFOLD

ITEM	QTY	PART NUMBER	DESCRIPTION
1	1	*	Assembly Swivel Manifold
2	4	F1900075	Wedge Lock Washer ¾
3	4	F0120240	Hex Head Capscrew M20 x 2.5 x 240
4	1	*	Torque Arm Kit

* Part numbers are Serial Number specific.

For replacement parts and seal kit, call the Genesis Parts Department.

The swivel Serial Number, located in one of the three highlighted areas, is required for **any** parts order.

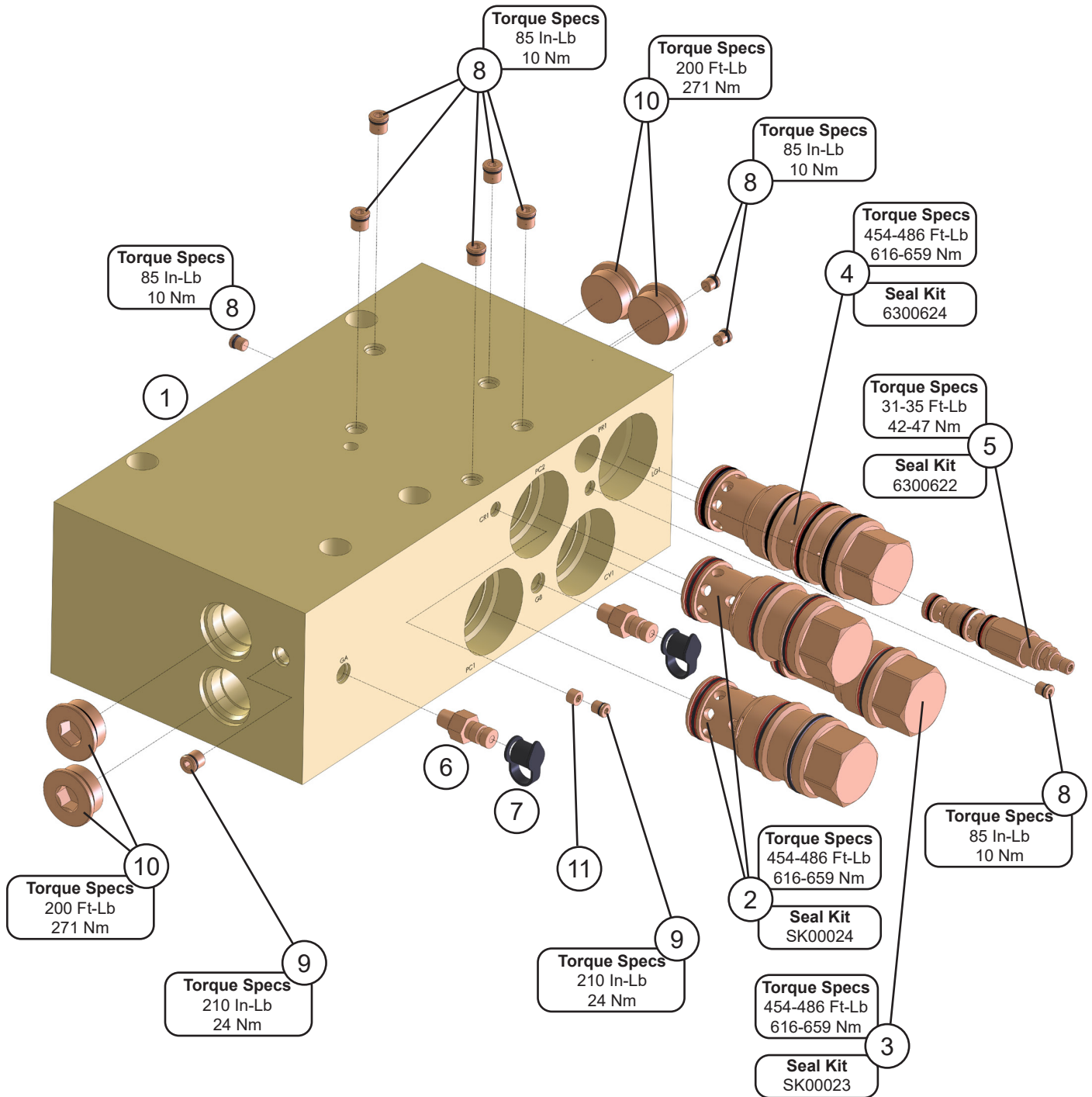
USA

715-395-3488

Europe

+49 83 31 9 25 98 0

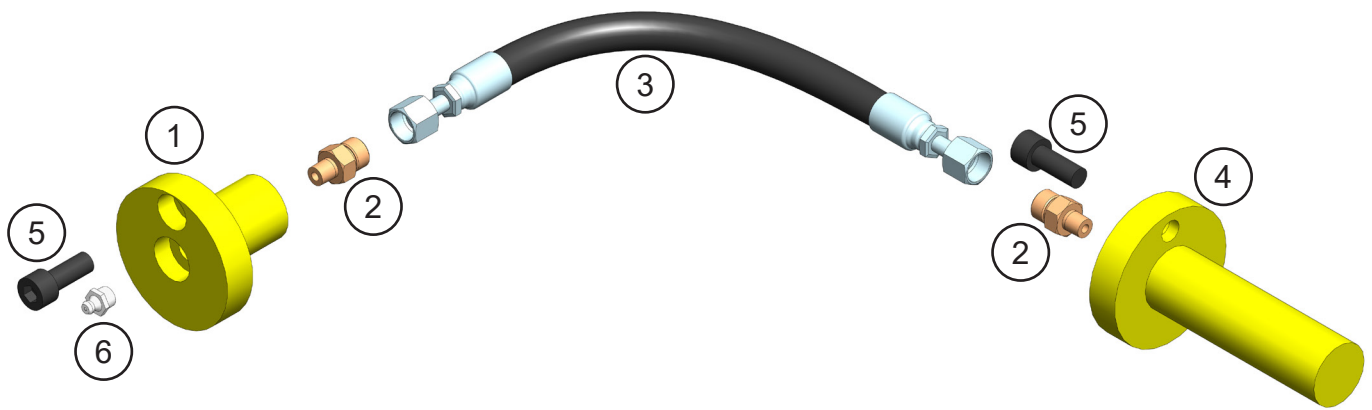
REGEN BLOCK SUB-ASSEMBLY - 6360021



REGEN BLOCK SUB-ASSEMBLY - 6360021

ITEM	QTY	PART NUMBER	DESCRIPTION	
1	1	6360021	Manifold Block	Seal Kit SK00129
2	2	6300061	Pilot to Close Check Valve	Seal Kit SK00024
3	1	6380011	Check Valve	Seal Kit SK00023
4	1	6300623	Logic Element	Seal Kit 6300624
5	1	6300625	Pressure Reducing Valve	Seal Kit 6300622
6	2	6300088	Diagnostic Nipple	
7	2	6310001	Diagnostic Nipple Dust Cap	
8	9	6300075	Plug Socket Head 02MB	
9	4	6300076	Plug Socket Head 04MB	
10	4	6300078	Plug Socket Head 16MB	
11	1	6300903	Plug Pipe Orifice 01MP 1/16-27 NPT	

ASSEMBLY SLEWING RING LUBRICATION



ASSEMBLY SLEWING RING LUBRICATION

ITEM	QTY	PART NUMBER	DESCRIPTION
1	1	5512411	Mach Grease Bulkhead Adaptor
2	2	6300731	Adaptor 02MP-04MO
3	1	1105888	Hose
4	1	5512419	Mach Slewing Ring Grease Adaptor
5	2	F0610025	Socket Head Capscrew M10 x 1.50 x 25
6	1	6200002	Grease Fitting

BOLT TORQUE SPECIFICATIONS

Reference the product Thread Treatment Diagram on page 39 to determine whether to use wet or dry torque values for specific bolts.

Reference Procedures on page 40 for threadlocker or anti-seize application and bolt and bolt hole cleaning.

Prior to torquing, clean all bolt holes, bolts and nuts to remove dirt, grease and oil, and identify bolt type.

Never re-torque bolts that use Loctite. If a bolt becomes loose or damaged after the initial use when Loctite was applied and the bolt was torqued, the bolt must be replaced.

Never break tightened bolts loose with a torque wrench. Doing so may break the torque wrench or take it out of calibration.

Torque wrenches should be calibrated on an annual basis.

When using a torque multiplier with a torque wrench, incorrect settings will be multiplied by the ratio of the torque wrench.

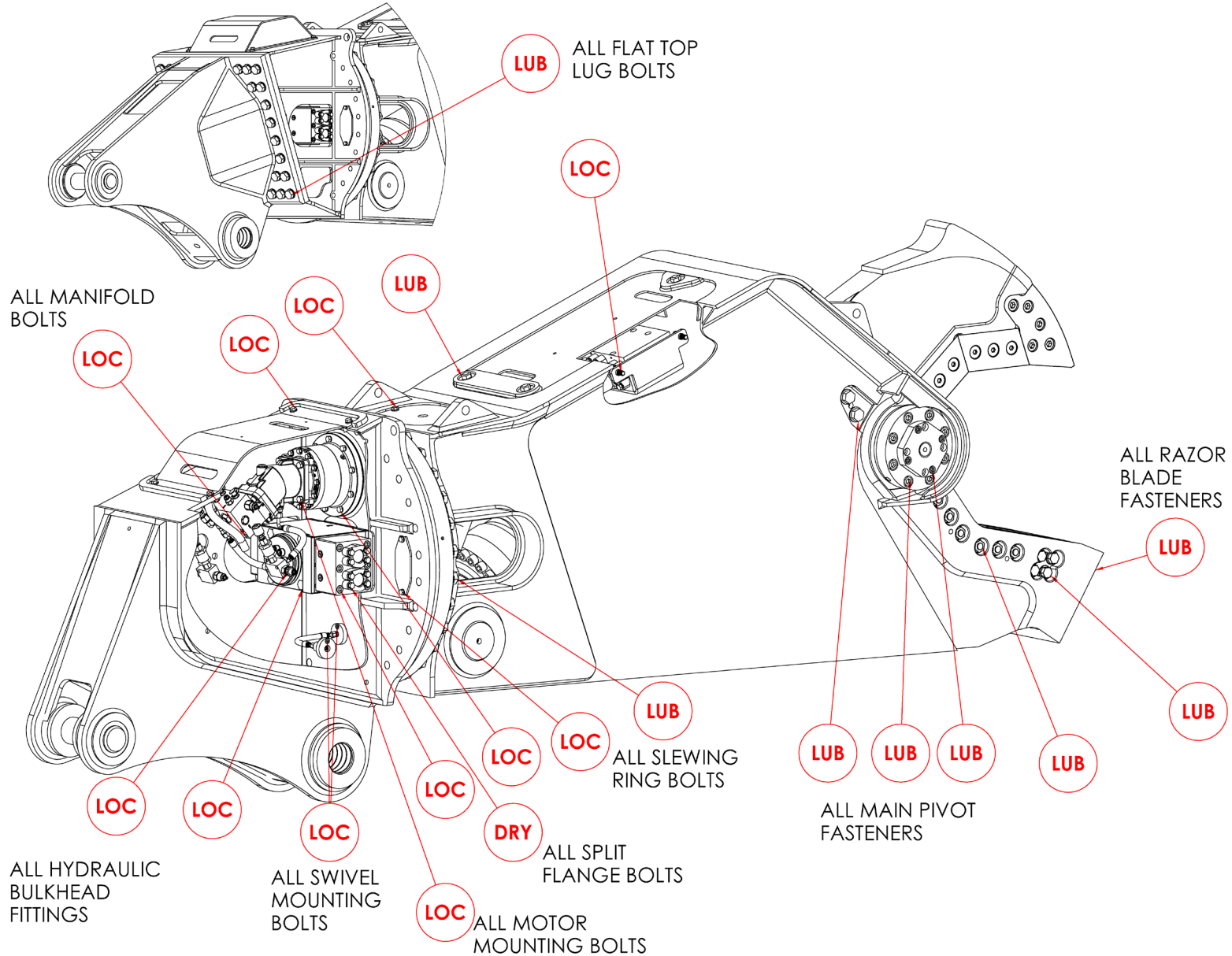
Never use an impact driver on a torque multiplier.

THREAD TREATMENT DIAGRAM

Mobile Shears

Use this diagram to determine what thread treatment, if any, is required for each fastener.

For thread treatment application procedures, see page 40. For prescribed torque values, see page 42.



PROCEDURES

Reference the product Thread Treatment Diagram on page 39 to determine which of the following procedures is required.

Cleaning

To ensure proper performance of thread treatment and accurate torque values, clean and degrease **all internal and external threads** prior to application of threadlocker, anti-seize or primer and before installation of hardware.

- Ensure both internal and external threads are free of dirt or debris.
- Use brake cleaner or similar cleaning solvent on all threads to remove any grease or oil.
- Allow threads to dry.

NOTICE

Failure to properly clean threads will cause threadlocker, primer, and/or anti-seize to not properly cure!

LOC

Threadlocker

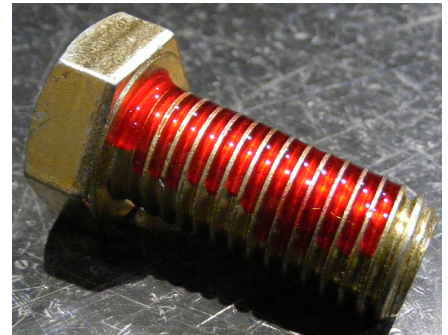
For bolted connections requiring threadlocker, use **Loctite 263** or equivalent applied using the following procedure:

- Clean and degrease all threads.
- For thru holes or nuts, apply threadlocker to bolt threads.
- For blind holes, apply stripe of threadlocker along the length of the hole (applying to the bolt can cause escaping air to remove threadlocker as the bolt is inserted).
- Torque bolt to specified **Wet Torque Value**, see page 42.

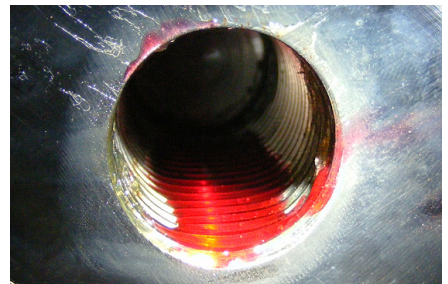
For threaded hydraulic fitting connections, use **Loctite 5452** or equivalent thread sealant in conjunction with **Loctite 7471** primer using the following procedure:

- Clean and degrease all threads.
- Apply Loctite 7471 primer to both external and internal threads and allow to dry.
- Apply threadlocker to 360 degrees of the threads on the male fitting, ensuring adequate coverage.
- Assemble fitting per directions in operator's manual.
- For O-ring boss and flat face O-ring connections, torque fittings to values specified on page 43.

Threadlocker



Blind Hole



Hydraulic Fitting



PROCEDURES

LUB

Anti-Seize

For bolted connections requiring anti-seize lubrication, use **Loctite LB8008** or equivalent using the following procedure:

- Clean and degrease all threads.
- Apply thin coat of anti-seize to internal and external threads and under bolt head and/or nut, ensuring complete coverage.
- Torque bolt to specified **Wet Torque Value**, see page 42.

Anti-Seize

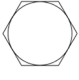
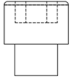
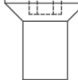


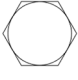
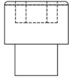
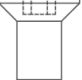
DRY

No Thread Treatment

- Clean and degrease all threads.
- Torque bolt to specified **Dry Torque Value**, see page 42.

BOLT TORQUE SPECIFICATIONS

Dry Torque Values					
		Hex/Socket Head		Flat Head	
		 			
Fastener Grade	Size x Pitch	Nm	Ft-lb	Nm	Ft-lb
CL 10.9	M8 x 1.25	35	26	27	20
	M10 x 1.50	71	53	58	42
	M12 x 1.75	124	92	101	73
	M14 x 1.50	200	148	163	118
	M14 x 2.00	200	148	163	118
	M16 x 2.00	311	230	254	184
	M20 x 1.50	610	450	498	360
	M20 x 2.50	608	449	497	359
	M24 x 3.00	1054	778	861	622
	M27 x 3.00	1543	1138	1260	910
	M30 x 3.50	2095	1545	1712	1236
	M36 x 4.00	3659	2699	2991	2159
8	1/4-20	14	11	11	8
	5/16-18	32	24	26	19
	3/8-16	59	44	48	35
	7/16-14	94	70	77	56
	1/2-13	143	106	116	84
	1/2-20	162	120	133	96
	5/8-11	287	212	234	169
	3/4-10	509	376	415	300
	7/8-9	821	606	670	484
	1.00-8	1232	909	1007	727
	1.00-14	1383	1020	1130	816
	1.25-7	2463	1817	2013	1453
8/L9	1.50-6	4287	3162	3504	2529

Wet Torque Values					
		Hex/Socket Head		Flat Head	
		 			
Fastener Grade	Size x Pitch	Nm	Ft-lb	Nm	Ft-lb
CL 10.9	M8 x 1.25	29	22	23	17
	M10 x 1.50	61	45	49	36
	M12 x 1.75	105	78	85	62
	M14 x 1.50	150	111	121	88
	M14 x 2.00	170	126	138	100
	M16 x 2.00	265	196	216	156
	M20 x 1.50	456	337	372	269
	M20 x 2.50	517	382	422	305
	M24 x 3.00	894	660	731	528
	M27 x 3.00	1312	968	1072	774
	M30 x 3.50	1779	1312	1453	1049
	M36 x 4.00	3110	2294	2542	1835
8	1/4-20	13	10	11	8
	5/16-18	27	20	22	16
	3/8-16	50	37	40	29
	7/16-14	80	59	65	47
	1/2-13	122	90	99	72
	1/2-20	138	102	112	81
	5/8-11	244	180	199	144
	3/4-10	433	320	354	256
	7/8-9	698	515	570	412
	1.00-8	1046	772	854	617
	1.00-14	1175	867	960	693
	1.25-7	2095	1545	1712	1236
8/L9	1.50-6	3644	2688	2979	2150

O-RING BOSS & FLAT FACE O-RING TORQUE SPECIFICATIONS

O-Ring Boss Torque Values		
Size Dash	Nm	Ft-lb
-4	22	16
-5	27	20
-6	36	26
-8	83	60
-10	110	80
-12	187	135
-14	249	180
-16	304	220
-20	387	280
-24	498	360

Flat Face O-Ring Torque Values		
Size Dash	Nm	Ft-lb
-4	18	13
-6	30	22
-8	60	44
-10	85	62
-12	121	88
-14	121	88
-16	160	116
-20	213	154
-24	274	198

BOLT DRIVE SPECIFICATIONS

Thread Size x Pitch	Hex Head	Socket Head	Flat Head
			
Wrench/Drive Size			
M8 x 1.25	13mm	6mm	5mm
M10 x 1.50	17mm	8mm	6mm
M12 x 1.75	19mm	10mm	8mm
M14 x 1.50	22mm	12mm	10mm
M14 x 2.00	22mm	12mm	10mm
M16 x 2.00	24mm	14mm	10mm
M20 x 1.50	30mm	17mm	12mm
M20 x 2.50	30mm	17mm	12mm
M24 x 3.00	36mm	19mm	14mm
M27 x 3.00	41mm	19mm	-
M30 x 3.50	46mm	22mm	-
M36 x 4.00	55mm	27mm	-
1/4-20	7/16"	3/16"	5/32"
5/16-18	1/2"	1/4"	3/16"
3/8-16	9/16"	5/16"	7/32"
7/16-14	5/8"	3/8"	1/4"
1/2-13	3/4"	3/8"	5/16"
1/2-20	3/4"	3/8"	5/16"
5/8-11	15/16"	1/2"	3/8"
3/4-10	1-1/8"	5/8"	1/2"
7/8-9	1-5/16"	3/4"	9/16"
1.00-8	1-1/2"	3/4"	5/8"
1.00-14	1-1/2"	3/4"	5/8"
1.25-7	1-7/8"	7/8"	7/8"
1.50-6	2-1/4"	1"	1"

WARRANTY

Claim Procedure

Notify the Genesis Service Department of the potential warranty claim prior to making the repair. Digital pictures are very helpful for diagnosing problems and recommending repairs.

Contact the Genesis Service Department before making alterations, changes or repairs to any component that is going to be considered for warranty. Not doing so will void all Genesis warranty consideration.

The Genesis Service Department will issue an authorization number to track the repair costs, outgoing parts, and/or defective parts returning to the factory.

Replacement parts must be ordered using a purchase order number. Shipping is standard ground. Overnight shipping is available by request, and Genesis will not cover the shipping charge.

When the repair is complete, submit an invoice to the Genesis Service Department within 30 days. Include itemized internal labor reporting, parts lists and invoices for outside contractors. Reference the authorization number on all invoices.

When returning parts for warranty consideration, include a copy of any related Genesis paperwork along with any other necessary documentation to ensure proper processing and credit. The Genesis Service Department will provide the necessary forms.

Your account will be credited when the warranty claim is accepted.

Blade Warranty

Standard warranty on blades will only be considered on the first edge, and wear on the edge must be 1/8" radius or less. Genesis does not warranty cutting blades that are cracked or broken from top to bottom (perpendicular to the long edge of the blade). Genesis also does not cover fasteners, the labor to replace wear components or collateral damage, such as blade seats, from broken blades, the piercing blade tang or adjustment plates.

Please direct any questions to the Genesis Service Department: 715-395-5252

PARTS ORDER POLICY AND PROCEDURE

Parts Orders Should Include

- Purchase order number
- Model and serial number of attachment
- Part number and quantity needed
- Shipping and billing address
- Method of shipment or required delivery date

Placing Orders

Orders may be placed by phone or e-mail. To e-mail an order, use the form on the following page or your purchase order form. Contact information is located at the front of this manual.

Part Numbers

Part numbers are listed in a separate Parts Manual or, if included, the Parts section of this manual. Contact the Genesis Parts Department with questions regarding part numbers, availability and pricing.

Shipping

All orders will be shipped best way surface unless an alternate shipping method is requested. Shipping charges are not included in the purchase price of parts.

Invoices

All invoices are due upon receipt. Any accounts with invoices open beyond 60 days are subject to review and may be placed on C.O.D. status without further notice.

Returns

Many unused Genesis parts may be returned with proper documentation. Return shipping is the responsibility of the purchaser. Credit will be issued upon return, less a 25% restocking fee. Documentation is required for credit of returned parts. Contact the Genesis Service Department at 715-395-5252 for an RGA (Return Goods Authorization) number and form. An RGA must accompany every return. Items shipped without an RGA may be returned to sender.

Warranty Returns

All parts returned to Genesis for warranty consideration must be returned with a completed RGA (Return Goods Authorization) provided by the Genesis Service Department. The form needs to be completed in its entirety, including any additional information requested by the Service Department. Return shipping is the responsibility of the sender and will be credited upon claim approval. A determination to accept or deny the claim will be made based upon the information available to Genesis. Warranty on purchased parts other than wear components is 6 months. Genesis does not cover labor costs to replace purchased parts replaced under warranty. There is no warranty period on wear parts or components.



PARTS ORDER FORM

Customer: _____ Date: _____
Phone: _____ Contact: _____
Shipping Address: _____ E-mail: _____
_____ Billing Address: _____
_____ _____
Purchase Order: _____ Shipping Method: _____
Model: _____ Serial Number: _____

Quantity	Part Number	Description	Price

E-mail to the Genesis Parts Department: genesisparts@genesisattachments.com
For assistance, call 715-395-5252

INDEX

- 1-1/4" Split Flange Kit 31
- 1100061 Mach Thrust Washer 7, 9
- 1100086 Shim Set Thrust Washer 7, 9
- 1100177 Mach Bearing 7
- 1100178 Mach Bearing 9
- 1101955 Mach Blade Razor 11
- 1103609 Mach Bolt Socket Head Capscrew 1 - 8 x 4¼ 13
- 1105854 Mach Flange Shoulder Bolt 19
- 1105878 Wtmg Sub Head Cover 21
- 1105883 Plt Bolt Cover 21
- 1105888 Hose 37
- 1105939 Mach Blade Tip Right 13
- 1105940 Mach Blade Tip Left 13
- 1105941 Mach Blade Guide 11
- 1106412 Mach Blade 11, 13
- 1106413 Mach Guide Blade Adjust Plate 11
- 1106414 Mach Guide Blade Adjust Plate 11
- 1106465 Hose 25
- 1106466 Hose 25
- 1106477 Shim Set, Guide Blade 11
- 1106478 Shim Set, Auto Guide 15
- 1106540 Mach End Cap 7, 9
- 1106542 Mach Tie Rod Nut 7, 9
- 1106544 Mach Tie Rod 7
- 1106546 Wldt Front Cyl Pin 17
- 1106547 Mach Rear Cyl Pin 17
- 1106548 Mach Adjust Plate Secondary 11
- 1106550 Mach Adjust Plate Primary 11
- 1106552 Mach Plt Frmd Valve Tray 31
- 1106561 Hose 31
- 1106562 Hose 31
- 1106563 Hose 31
- 1106564 Hose 31
- 1106571 Mach Pin Keeper Rear 17
- 1106592 Mach Bearing Upper Cylinder Connection 17
- 1106693 Shim Set, Blade 11
- 1107352 Wldt Cover 19
- 1107838 Plt Rear Cover 19
- 1108257 Hose 25
- 3500350 Mach Pin Keeper (Clevis) 17
- 5500752 Plt Strap 21
- 5512411 Mach Grease Bulkhead Adaptor 37
- 5512419 Mach Slewing Ring Grease Adaptor 37
- 5512420 Wtmg Sub Head 21
- 6200002 Grease Fitting 7, 9, 15, 17, 21, 37
- 6300014 Diagnostic Nipple 06MB 25, 27
- 6300061 Pilot to Close Check Valve 35
- 6300075 Plug Socket Head 02MB 35
- 6300076 Plug Socket Head 04MB 35
- 6300078 Plug Socket Head 16MB 35
- 6300088 Diagnostic Nipple 35
- 6300148 Adaptor 06MO-08MB 25
- 6300303 Adaptor 08MB-08MO-90 25
- 6300361 Valve Flow Control 29
- 6300364 Filter 29
- 6300407 Adaptor Run Tee 06FOX-06MO-06MO 25
- 6300429 Bearing Slewing 23
- 6300445 Gear Box 23
- 6300497 Adaptor Bulkhead 08MB-08MO 29
- 6300512 Adaptor 12MB - 08FB 25
- 6300609 Valve Line Body 29
- 6300623 Logic Element 35
- 6300625 Pressure Reducing Valve 35
- 6300731 Adaptor 02MP-04MO 37
- 6300903 Plug Pipe Orifice 01MP 1/16-27NPT 35
- 6301112 O-Ring 19
- 6301241 Valve Relief 27
- 6310001 Diagnostic Nipple Dust Cap 25, 27, 35
- 6310149 Adaptor Bulkhead 06MO-06MO 25
- 6310183 Adaptor 08MB-08MB 29
- 6310204 Adaptor 06MO-08MB-90 25
- 6340012 Motor 23
- 6360021 Manifold Block 35
- 6360088 Valve Check 27
- 6380011 Check Valve 35
- 6380035 Valve Counterbalance 27
- 6380079 Valve Block 27
- Assembly Access Covers 5, 19
- Assembly Auto Guide 5, 14, 15
- Assembly Cylinder 5, 30, 31
- Assembly Cylinder Pins 5, 16, 17
- Assembly Lower Blades 5, 10, 11
- Assembly Open and Close Circuit 5, 30, 31
- Assembly Pivot Group - Left Side 5, 8, 9
- Assembly Pivot Group - Right Side 5, 6, 7
- Assembly Rotation 5, 22, 23
- Assembly Rotation Circuit 5, 24, 25
- Assembly Slewing Ring Lubrication 5, 36, 37
- Assembly Swivel Manifold 5, 30, 31, 33
- Assembly Swivel Manifold - 6350063 32, 33
- Assembly Upper Blades 5, 12, 13
- Assembly Upper Head 5, 20, 21
- Bolt Drive Specifications 44
- Bolt Torque Specifications 38, 42
- Contact Information 2, 50
- F0110030 Hex Head Capscrew M10 x 1.50 x 30 21
- F0112020 Hex Head Capscrew M12 x 1.75 x 20 19
- F0112030 Hex Head Capscrew M12 x 1.75 x 30 21
- F0112050 Hex Head Capscrew M12 x 1.75 x 50 23, 31
- F0116060 Hex Head Capscrew M16 x 2.00 x 60 31
- F0120240 Hex Head Capscrew M20 x 2.5 x 240 33
- F0127130 Hex Head Capscrew M27 x 3 x 130 23
- F0210500 Hex Head Capscrew 1 - 8 x 5 15
- F0250150 Hex Head Capscrew ½ - 13 x 1½ 23
- F0288200 Hex Head Capscrew ⅞ - 9 x 2 11
- F0288400 Hex Head Capscrew ⅞ - 9 x 4 11
- F0288450 Hex Head Capscrew ⅞ - 9 x 4½ 11
- F0412030 Flat Head Capscrew M12 x 1.75 x 30 7, 9
- F0588500 Flat Head Capscrew ⅞ - 9 x 5 11, 13

INDEX

- F0588650 Flat Head Capscrew $\frac{7}{8}$ - 9 x $6\frac{1}{2}$ 13
- F0610025 Socket Head Capscrew M10 x 1.50 x 25 37
- F0610035 Socket Head Capscrew M10 x 1.50 x 35 7, 9
- F0612040 Socket Head Capscrew M12 x 1.75 x 40 7, 9
- F0612120 Socket Head Capscrew M12 x 1.75 x 120 31
- F0616035 Socket Head Capscrew M16 x 2 x 35 31
- F0620080 Socket Head Capscrew M20 x 2.50 x 80 7, 9
- F0620100 Socket Head Capscrew M20 x 2.50 x 100 17
- F0620180 Socket Head Capscrew M20 x 2.50 x 180 17
- F0908809 Hex Nut $\frac{7}{8}$ - 9 11, 13
- F1020250 Nylock Hex Nut M20 x 2.50 17
- F1201021 Flat Washer M10 7, 9, 21
- F1201224 Flat Washer M12 7, 9, 19, 21
- F1201630 Flat Washer M16 31
- F1202037 Flat Washer M20 7, 9
- F1300088 Flat Washer Narrow $\frac{7}{8}$ 11, 13
- F1300100 Flat Washer Narrow 1" 15
- F1401200 Lock Washer M12 21, 31
- F1401628 Lock Washer M16 31
- F1900050 Wedge Lock Washer $\frac{1}{2}$ 23
- F1900075 Wedge Lock Washer $\frac{3}{4}$ 33
- F2588088 Set Screw Socket Head $\frac{7}{8}$ - 9 x $\frac{7}{8}$ 11
- F2802700 Hytorc Washer 23
- F3616020 Socket Head Shoulder Screw M16 x 2 x 20 31
- General Arrangement 4, 5
- H0262125 Split Flange Half 1.25 Code 62 31
- H0262150 Split Flange Half 1.50 Code 62 31
- Mach Auto Guide 15
- Mach Bearing 21
- Mach Boom Bearing 21
- Mach Main Shaft 9
- Mach Port Block 31
- Mach Spacer Sleeve 21
- O-Ring 31
- O-Ring Boss & Flat Face O-Ring Torque Specifications 43
- Parts Order Form 47
- Parts Order Policy and Procedure 46
- Procedures 40, 41
- Regen Block Sub-Assembly - 6360021 34, 35
- S0190214 O-Ring 23
- S0190222 O-Ring 31
- S0190225 O-Ring 31
- S0190238 O-Ring 7, 9
- S0190250 O-Ring 23
- Seal Kit 6300622 34, 35
- Seal Kit 6300624 34, 35
- Seal Kit 6300633 26, 27
- Seal Kit 6300634 28, 29
- Seal Kit SK00023 34, 35
- Seal Kit SK00024 34, 35
- Seal Kit SK00058 26, 27
- Seal Kit SK00129 35
- Seal Kit SK00156 26, 27
- Socket Head Capscrew 31
- Sub-Assembly Line Mount Manifold 5, 25, 28, 29
- Sub-Assembly Regen Block 5
- Sub-Assembly Rotate Cross-over / C'bal 5, 26, 27
- Sub-Assembly Rotate Cross-over/C'bal 25
- Table of Contents 3
- Thread Treatment Diagram 39
- Torque Arm Kit 33
- Valve Regen 31
- Warranty 45
- Wldt Pin 21
- Wtmg Lug Upper Head 4, 5, 21
- Wtmg Stick 5
- Wtmg Upper 5



GENESIS®

The Promise of Performance.

CONTACT INFORMATION

Genesis Attachments

1000 Genesis Drive
Superior, WI 54880 USA

Toll Free: 888-SHEAR-IT
(888-743-2748)

Phone: 715.395.5252

E-mail:
info@genesisattachments.com

Europe/Africa/Middle East Genesis GmbH

Teramostrasse 23
87700 Memmingen, Germany

Phone: +49 83 31 9 25 98 0

Fax: +49 83 31 9 25 98 80

genesis-europe.com

E-mail:
info@genesis-europe.com

Asia Pacific Representative Office

24 Upper Serangoon View #12-28
Singapore 534205

Phone: +65 9673 9730

E-mail:
tchoo@genesisattachments.com

Central America & Colombia

Cra 13A #89-38 / Ofi 613
Bogota, Colombia

Phone: +57 1 610 8160 / 795 8747

E-mail:
contact@themsagroup.com

View and download all manuals: genesisattachments.com/manuals

Patents: genesisattachments.com/products/patents