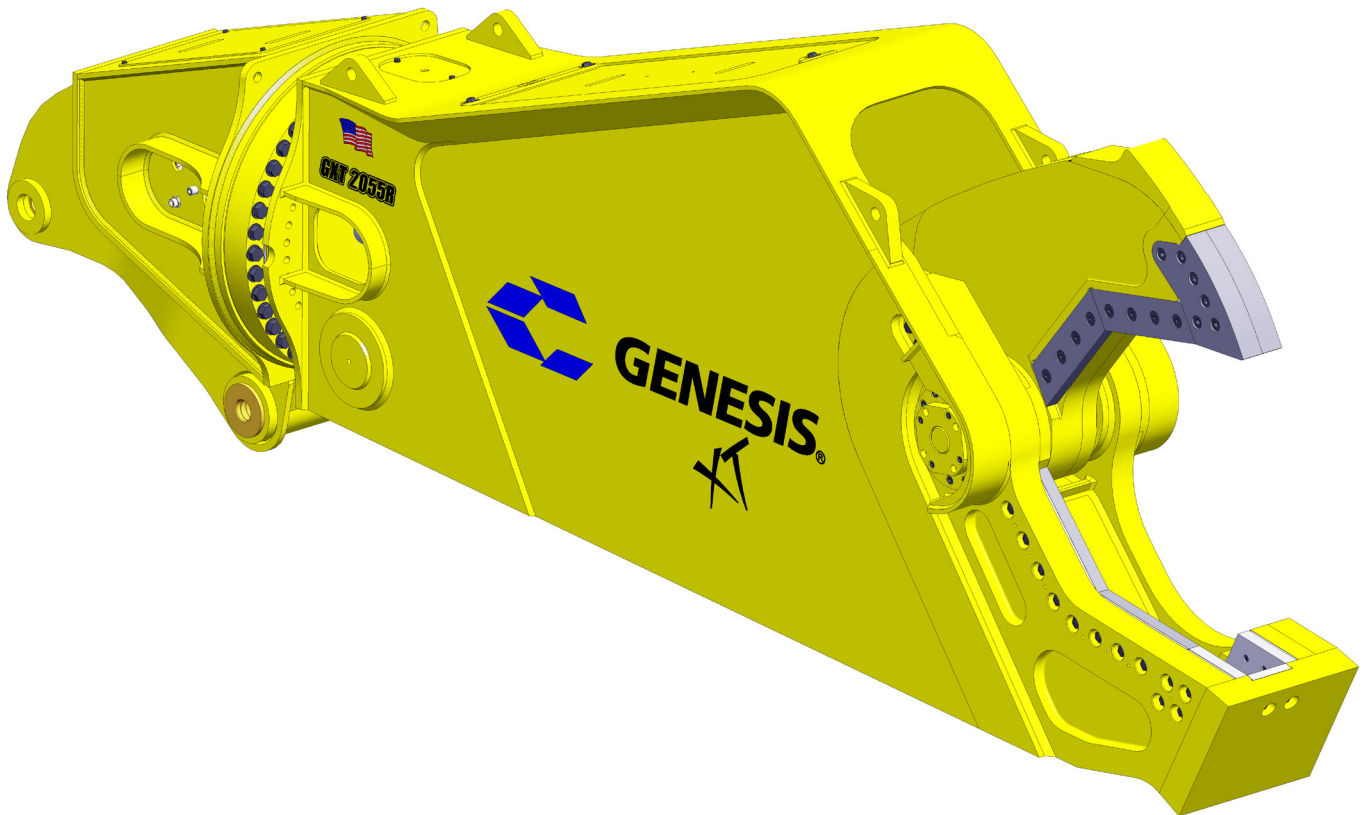


# GXT 2055R Mobile Shear

## PARTS MANUAL



## CONTACT INFORMATION

### Genesis Attachments

1000 Genesis Drive  
Superior, WI 54880 USA

Toll Free: 888-SHEAR-IT  
(888-743-2748)

Phone: 715.395.5252

E-mail:  
info@genesisattachments.com

### Europe/Africa/Middle East Genesis GmbH

Teramostrasse 23  
87700 Memmingen, Germany

Phone: +49 83 31 9 25 98 0  
Fax: +49 83 31 9 25 98 80  
genesis-europe.com

E-mail:  
info@genesis-europe.com

### Asia Pacific Representative Office

24 Upper Serangoon View #12-28  
Singapore 534205

Phone: +65 9673 9730

E-mail:  
tchoo@genesisattachments.com

### Central America & Colombia

Cra 13A #89-38 / Ofi 613  
Bogota, Colombia

Phone: +57 1 610 8160 / 795 8747

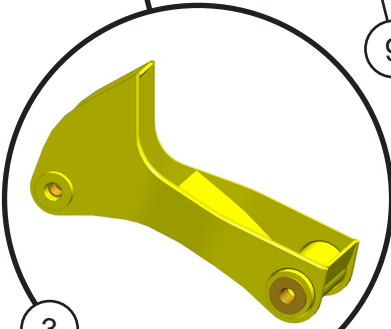
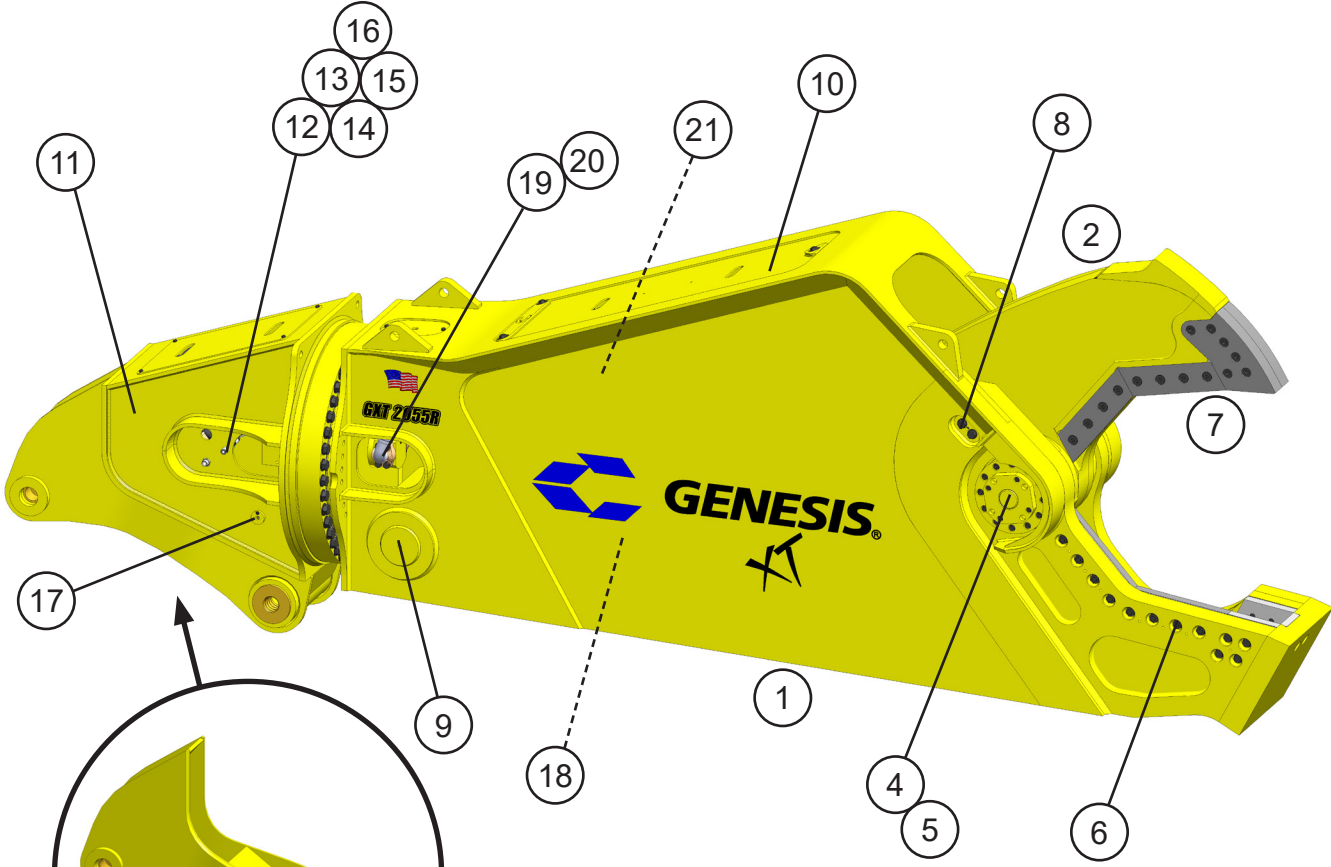
E-mail:  
contact@themsagroup.com

View and download all manuals: [genesisattachments.com/manuals](http://genesisattachments.com/manuals)  
Patents: [genesisattachments.com/products/patents](http://genesisattachments.com/products/patents)

# TABLE OF CONTENTS

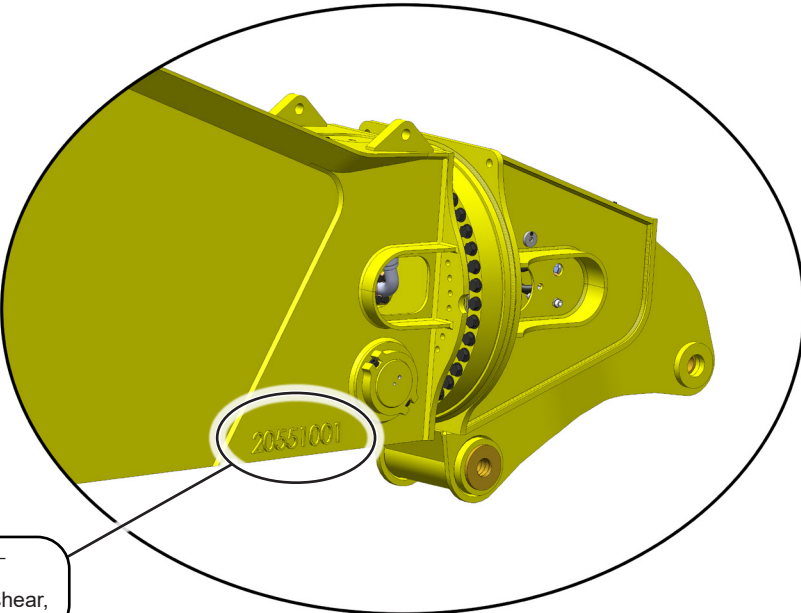
<b>CONTACT INFORMATION</b>	<b>2</b>
<b>GENERAL ARRANGEMENT</b>	<b>4</b>
<b>ASSEMBLY PIVOT GROUP - RIGHT SIDE</b>	<b>6</b>
<b>ASSEMBLY PIVOT GROUP - LEFT SIDE</b>	<b>8</b>
<b>ASSEMBLY LOWER BLADES</b>	<b>10</b>
<b>ASSEMBLY UPPER BLADES</b>	<b>12</b>
<b>ASSEMBLY AUTO GUIDE</b>	<b>14</b>
<b>ASSEMBLY CYLINDER PINS</b>	<b>16</b>
<b>ASSEMBLY ACCESS COVERS</b>	<b>18</b>
<b>ASSEMBLY UPPER HEAD</b>	<b>20</b>
<b>ASSEMBLY ROTATION - PISTON MOTOR</b>	<b>22</b>
<b>ASSEMBLY ROTATION - MOTOR AND VALVE DRAIN LINES</b>	<b>24</b>
SN 20551001 - 1006	24
SN 20551007+	26
<b>ASSEMBLY ROTATION - VALVE TO VALVE PLUMBING</b>	<b>28</b>
SN 20551001 - 1006	28
SN 20551007+	30
<b>ASSEMBLY ROTATION - MOTOR MANIFOLD</b>	<b>32</b>
<b>ASSEMBLY LINE MOUNT MANIFOLD</b>	<b>34</b>
<b>ASSEMBLY ROTATION - GREASE SYSTEM PLUMBING</b>	<b>36</b>
<b>ASSEMBLY OPEN AND CLOSE CIRCUIT</b>	<b>38</b>
<b>ASSEMBLY PORT BLOCK</b>	<b>40</b>
<b>ASSEMBLY SWIVEL MANIFOLD</b>	<b>42</b>
<b>REGEN BLOCK SUB-ASSEMBLY</b>	<b>44</b>
<b>ASSEMBLY SWIVEL MANIFOLD CONFIGURATIONS</b>	<b>46</b>
<b>BOLT TORQUE SPECIFICATIONS</b>	<b>47</b>
<b>THREAD TREATMENT DIAGRAM</b>	<b>48</b>
Mobile Shears	48
<b>PROCEDURES</b>	<b>49</b>
Cleaning	49
Threadlocker	49
Anti-Seize	50
No Thread Treatment	50
<b>BOLT TORQUE SPECIFICATIONS</b>	<b>51</b>
Dry Torque Values	51
Wet Torque Values	51
<b>O-RING BOSS &amp; FLAT FACE O-RING TORQUE SPECIFICATIONS</b>	<b>52</b>
<b>BOLT DRIVE SPECIFICATIONS</b>	<b>53</b>
<b>WARRANTY</b>	<b>54</b>
Claim Procedure	54
Blade Warranty	54
<b>PARTS ORDER POLICY AND PROCEDURE</b>	<b>55</b>
Parts Orders Should Include	55
Placing Orders	55
Part Numbers	55
Shipping	55
Invoices	55
Returns	55
Warranty Returns	55
<b>PARTS ORDER FORM</b>	<b>56</b>
<b>INDEX</b>	<b>57</b>
<b>CONTACT INFORMATION</b>	<b>59</b>

# GENERAL ARRANGEMENT



**3 Wtmg Lug Upper Head**  
 Part Number is Serial Number specific.  
 For replacement parts call the Genesis  
 Parts Department.

<b>USA</b>	<b>Europe</b>
715-395-5614	+49 83 31 9 25 98 0
715-395-3405	



**Serial Number Location**  
 Facing the left side of shear,  
 lower right corner.

## GENERAL ARRANGEMENT

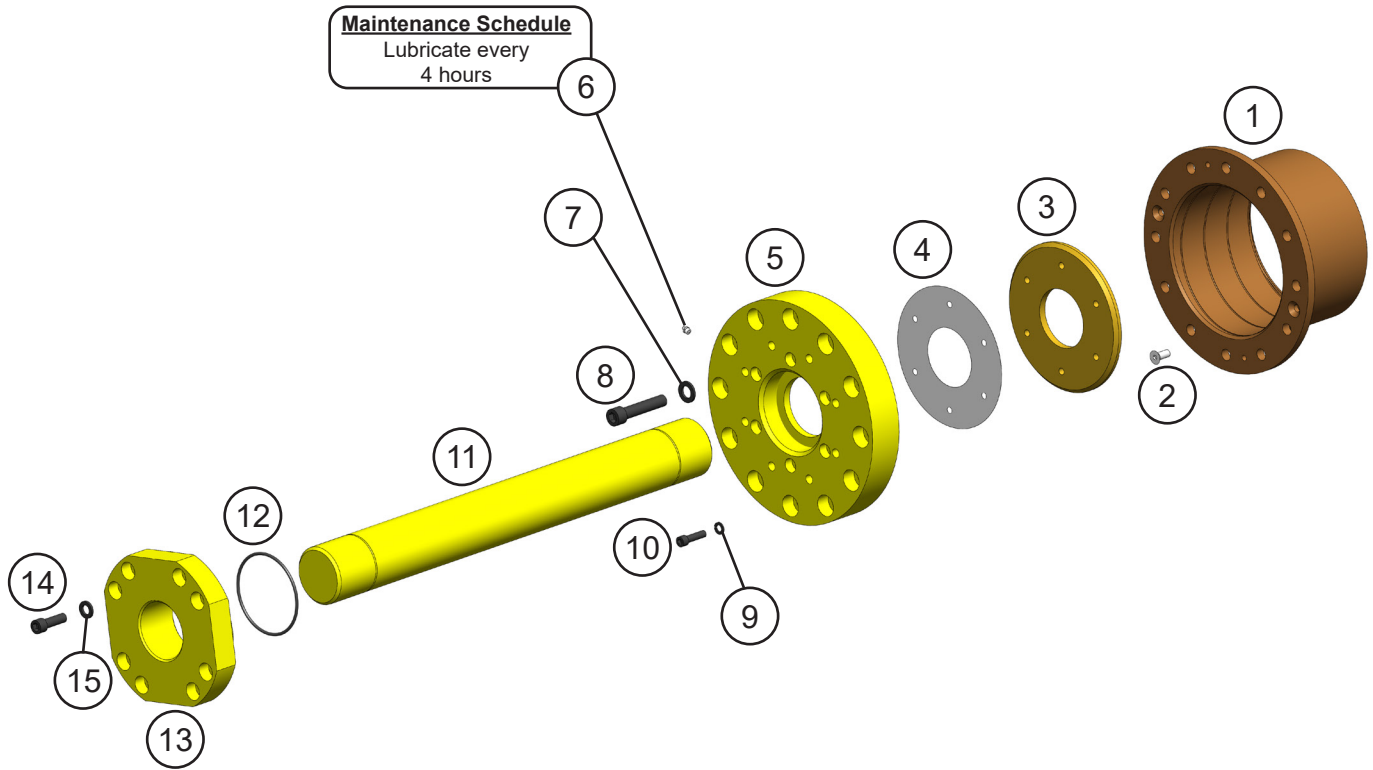
ITEM	QTY	PART NUMBER	DESCRIPTION
1	1	1107118	Wtmg Stick
2	1	1107125	Wtmg Upper
3		*	Wtmg Lug Upper Head
4		See page 6	Assembly Pivot Group - Right Side
5		See page 8	Assembly Pivot Group - Left Side
6		See page 10	Assembly Lower Blades
7		See page 12	Assembly Upper Blades
8		See page 14	Assembly Auto Guide
9		See page 16	Assembly Cylinder Pins
10		See page 18	Assembly Access Covers
11		See page 20	Assembly Upper Head
12		See page 22	Assembly Rotation - Piston Motor
13		See page 24	Assembly Rotation - Motor and Valve Drain Lines
14		See page 28	Assembly Rotation - Valve to Valve Plumbing
15		See page 32	Assembly Rotation - Motor Manifold
16		See page 34	Assembly Line Mount Manifold
17		See page 36	Assembly Rotation - Grease System Plumbing
18		See page 38	Assembly Open and Close Circuit
19		See page 40	Assembly Port Block
20		See page 42	Assembly Swivel Manifold
21		See page 44	Regen Block Sub-Assembly

\* Part number is Serial Number specific. For replacement parts call the Genesis Parts Department.

**USA**  
715-395-3488

**Europe**  
+49 83 31 9 25 98

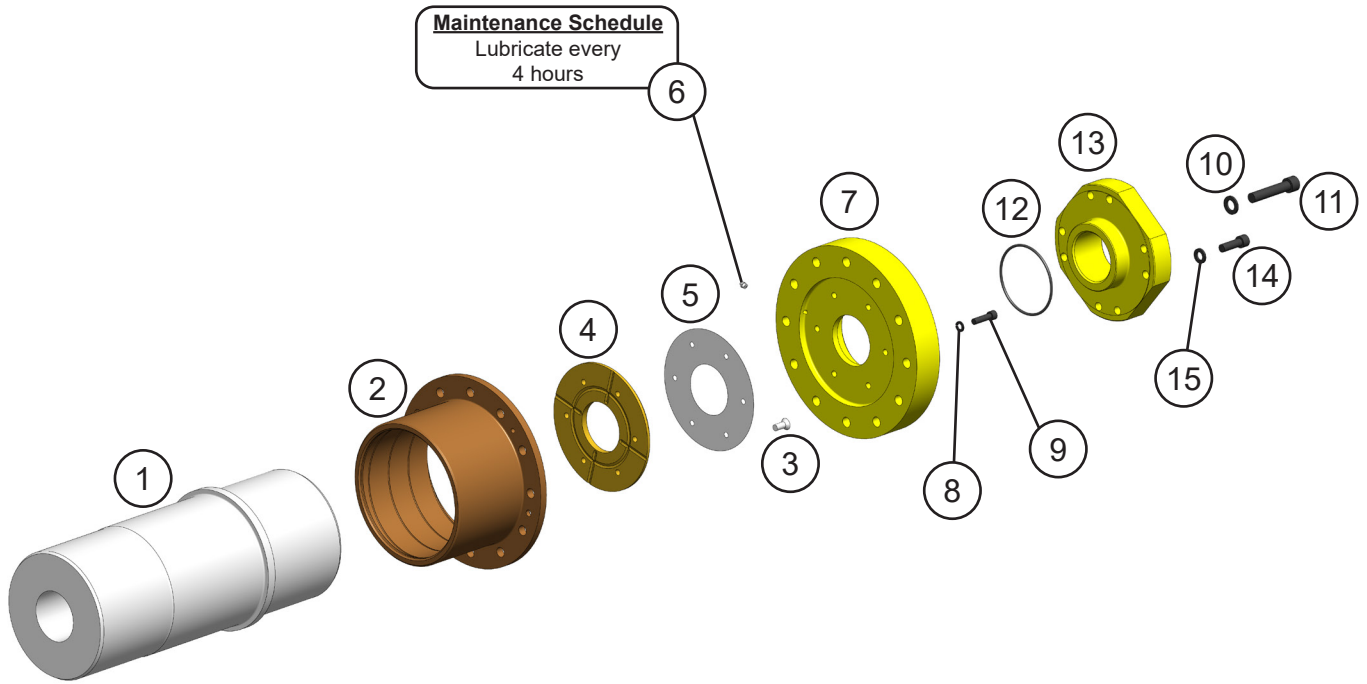
# ASSEMBLY PIVOT GROUP - RIGHT SIDE



## ASSEMBLY PIVOT GROUP - RIGHT SIDE

ITEM	QTY	PART NUMBER	DESCRIPTION
1	1	1107126	Mach Bearing
2	2	F0412030	Flat Head Capscrew M12 x 1.75 x 30
3	1	1107128	Mach Thrust Washer
4	1	1107132	Shim Set Thrust Washer
5	1	1107129	Mach End Cap
6	1	6200002	Grease Fitting
7	12	F1202037	Flat Washer M20
8	12	F0620100	Socket Head Capscrew M20 x 2.50 x 100
9	6	F1201224	Flat Washer M12
10	6	F0612045	Socket Head Capscrew M12 x 1.75 x 45
11	1	1107130	Mach Tie Rod
12	1	S0190357	O-Ring
13	1	1107031	Mach Tie Rod Nut
14	4	F0616050	Socket Head Capscrew M16 x 2.00 x 50
15	4	F1201630	Flat Washer M16

# ASSEMBLY PIVOT GROUP - LEFT SIDE





## ASSEMBLY PIVOT GROUP - LEFT SIDE

ITEM	QTY	PART NUMBER	DESCRIPTION
1	1	*	Mach Main Shaft
2	1	1107126	Mach Bearing
3	2	F0412030	Flat Head Capscrew M12 x 1.75 x 30
4	1	1107128	Mach Thrust Washer
5	1	1107132	Shim Set Thrust Washer
6	1	6200002	Grease Fitting
7	1	1107129	Mach End Cap
8	6	F1201224	Flat Washer M12
9	6	F0612045	Socket Head Capscrew M12 x 1.75 x 45
10	12	F1202037	Flat Washer M20
11	12	F0620100	Socket Head Capscrew M20 x 2.50 x 100
12	1	S0190357	O-Ring
13	1	1107031	Mach Tie Rod Nut
14	4	F0616050	Socket Head Capscrew M16 x 2.00 x 50
15	4	F1201630	Flat Washer M16

\* Part number is Serial Number specific. For replacement parts call the Genesis Parts Department.

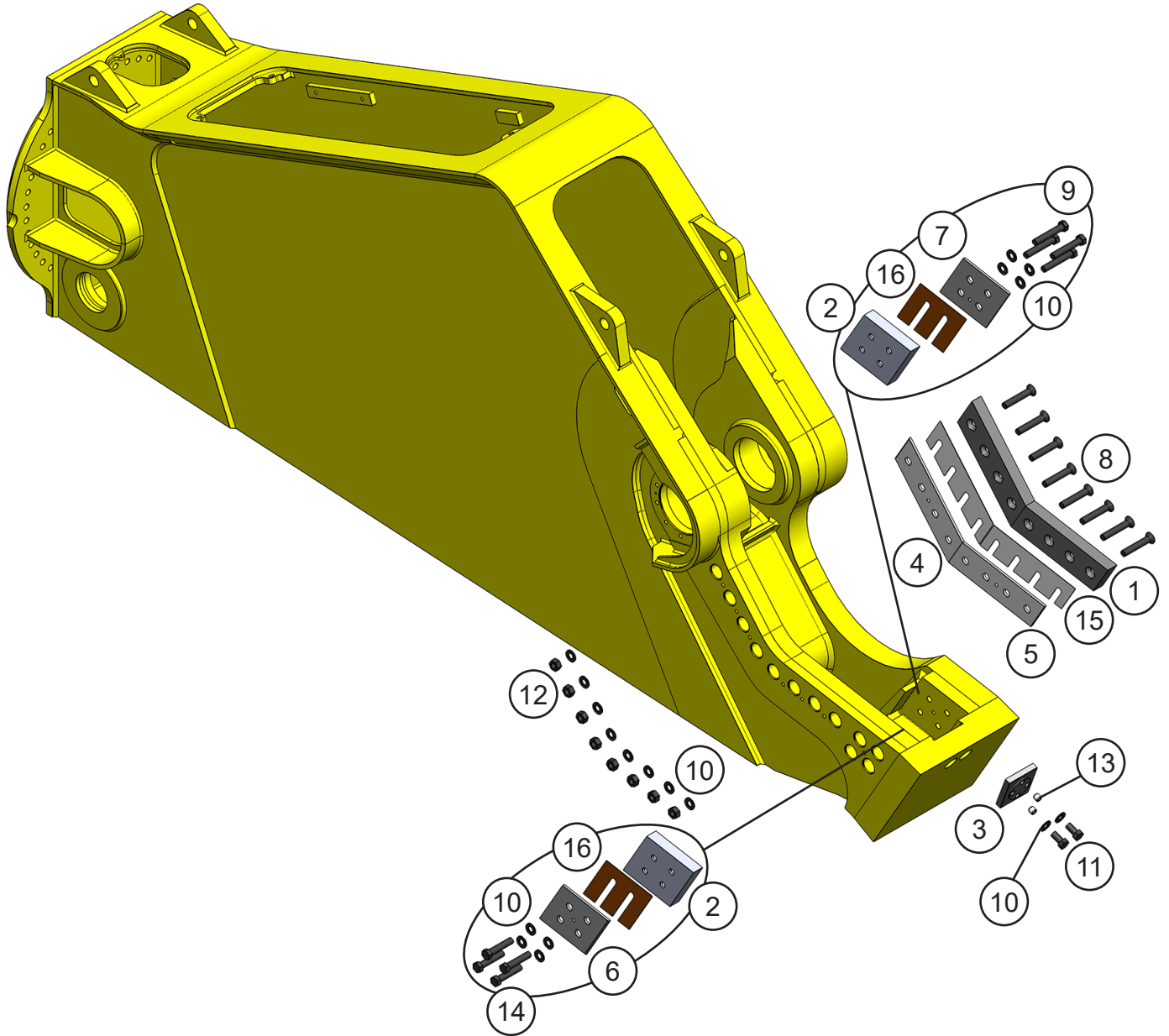
**USA**

715-395-3488

**Europe**

+49 83 31 9 25 98

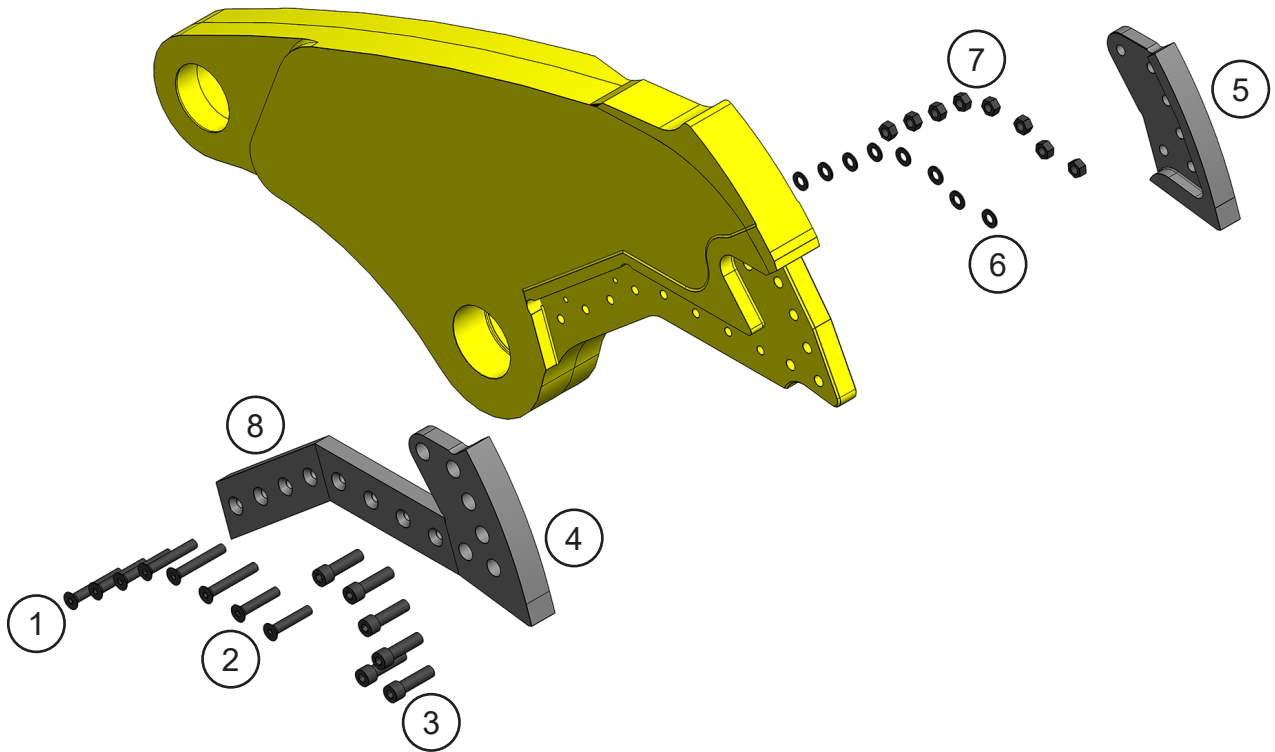
# ASSEMBLY LOWER BLADES



## ASSEMBLY LOWER BLADES

ITEM	QTY	PART NUMBER	DESCRIPTION
1	2	1103117	Mach Blade
2	2	1105609	Mach Guide Blade
3	1	1107139	Mach Blade Razor
4	1	1109658	Mach Adj Plate Primary
5	1	1107959	Mach Adj Plate Secondary
6	1	1105610	Mach Adj Plate Guide Blade
7	1	1105611	Mach Adj Plate Guide Blade
8	8	F0510700	Flat Head Capscrew 1-8x7
9	4	F0210700	Hex Head Capscrew 1-8x7
10	18	F1300100	Flat Washer 1"
11	2	F0210200	Hex Head Capscrew 1-8x2
12	8	F0910008	Hex Nut 1-8
13	2	F2510100	Set Screw Socket Head 1-8x1
14	4	F0210575	Hex Head Capscrew 1-8x5.75
15		1107961	Shim Set Long Blade
16		1105614	Shim Set Guide Blade

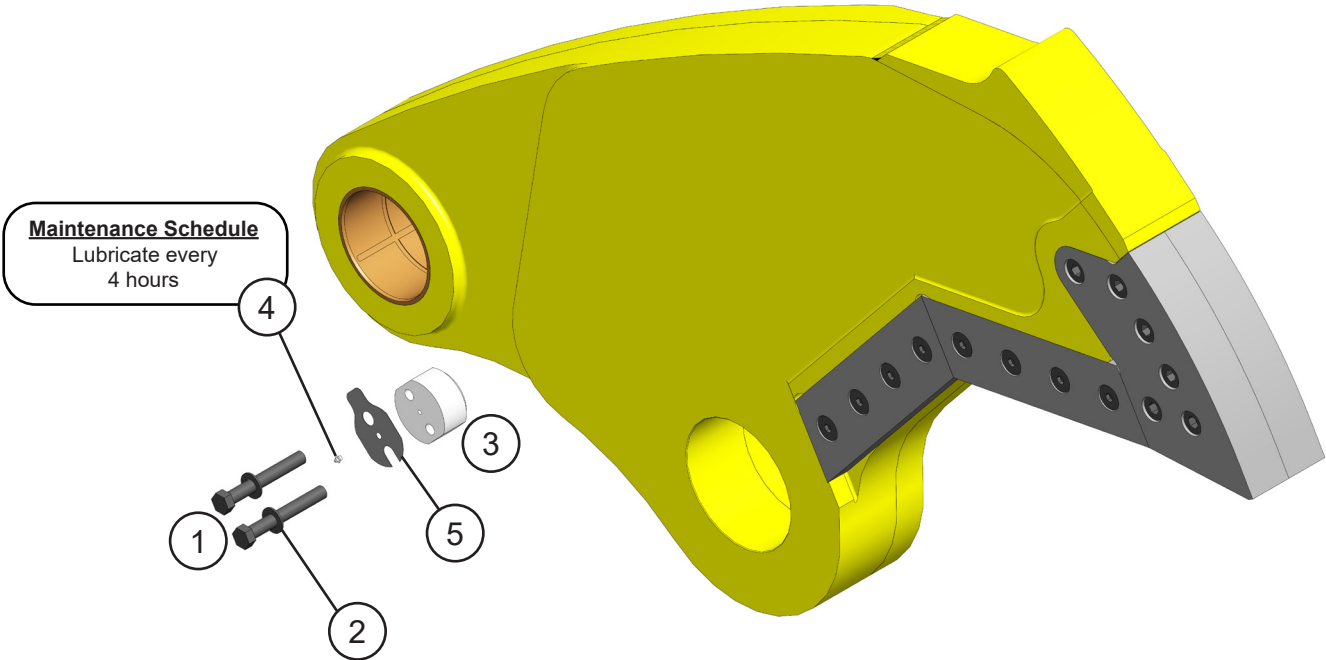
# ASSEMBLY UPPER BLADES



## ASSEMBLY UPPER BLADES

ITEM	QTY	PART NUMBER	DESCRIPTION
1	6	F0510800	Flat Head Capscrew 1-8x8
2	2	F0510650	Flat Head Capscrew 1-8x6½
3	6	1107201	Mach Bolt Socket Head Capscrew 1¼ - 7 x 5⅝ Custom
4	1	1107149	Mach Blade Tip Right
5	1	1107150	Mach Blade Tip Left
6	8	F1300100	Flat Washer 1"
7	8	F0910008	Hex Nut 1-8
8	2	1103117	Mach Blade

# ASSEMBLY AUTO GUIDE



## ASSEMBLY AUTO GUIDE

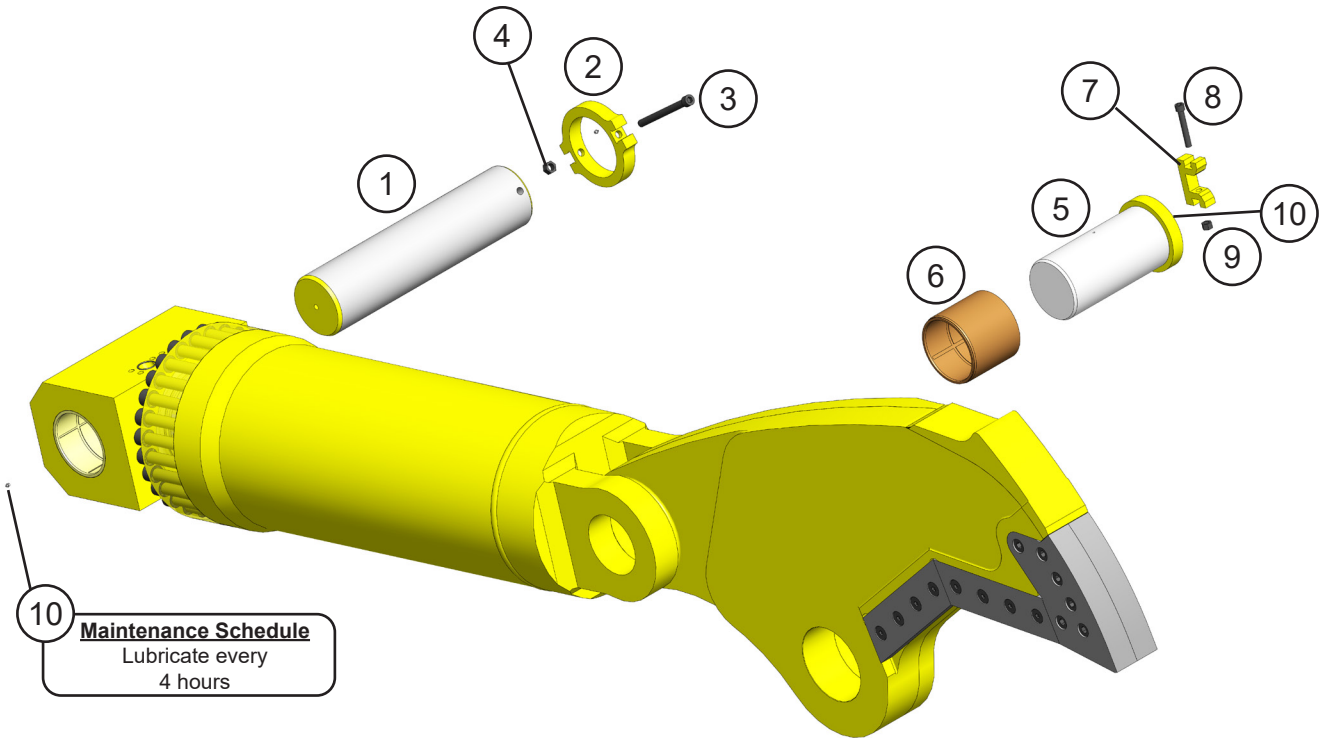
ITEM	QTY	PART NUMBER	DESCRIPTION
1	2	F0210700	Hex Head Capscrew 1 - 8 x 7
2	2	F1300100	Flat Washer Narrow 1"
3	1	*	Mach Auto Guide
4	1	6200002	Grease Fitting
5		1106478	Shim Set, Auto Guide

\* Part number is Serial Number specific. For replacement parts call the Genesis Parts Department.

**USA**  
715-395-3488

**Europe**  
+49 83 31 9 25 98

# ASSEMBLY CYLINDER PINS

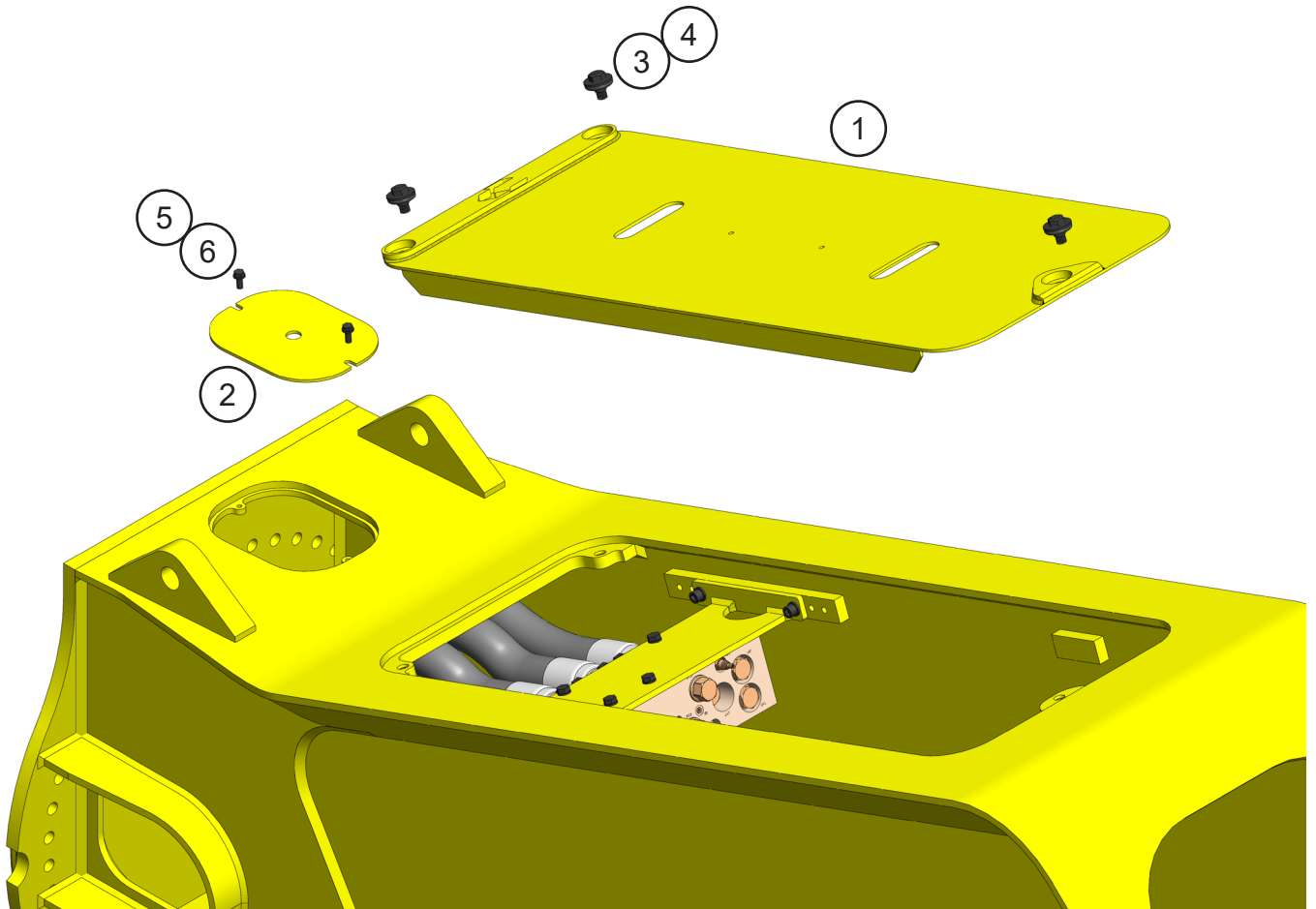




## ASSEMBLY CYLINDER PINS

ITEM	QTY	PART NUMBER	DESCRIPTION
1	1	1107161	Mach Pin Rear
2	1	1104088	Mach Pin Keeper
3	1	F0624280	Socket Head Capscrew M24 x 3.00 x 280
4	1	F1024300	Nylock Hex Nut M24 x 3.00
5	1	1107158	Wldt Front Cylinder Pin
6	1	1107165	Mach Bearing Upper Cylinder
7	1	1102487	Mach Pin Keeper
8	1	F0620130	Socket Head Capscrew M20 x 2.50 x 130
9	1	F1020250	Nylock Nut M20 x 2.50
10	2	6200002	Grease Fitting

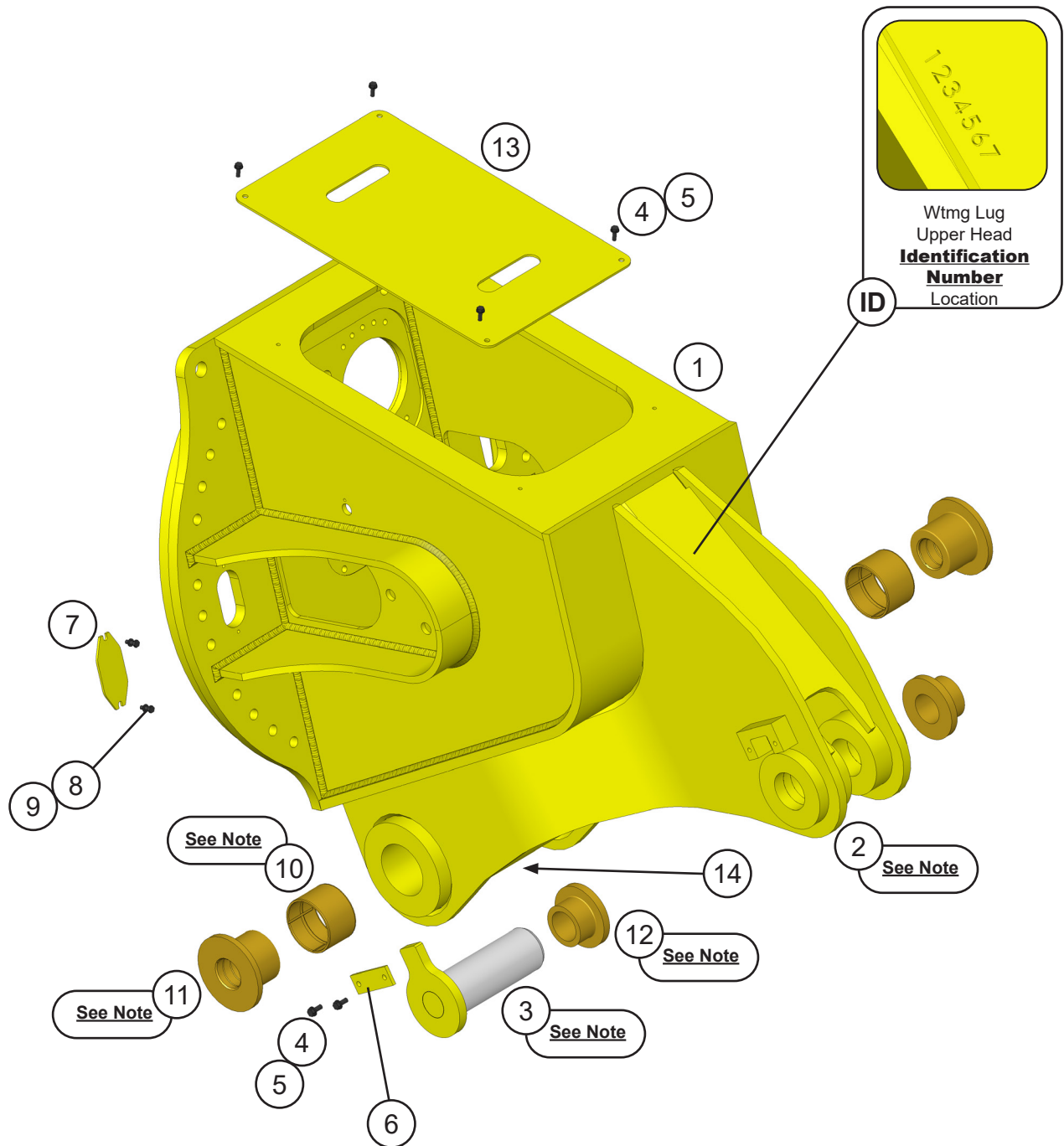
# ASSEMBLY ACCESS COVERS



## ASSEMBLY ACCESS COVERS

ITEM	QTY	PART NUMBER	DESCRIPTION
1	1	1108426	Wldt Cover
2	1	1107838	Plt Rear Cover
3	3	1105854	Mach Shoulder Bolt
4	3	6301112	O-Ring
5	2	F0112030	Hex Head Capscrew M12 x 1.75 x 30
6	2	F1201224	Flat Washer M12

# ASSEMBLY UPPER HEAD



## ASSEMBLY UPPER HEAD

ITEM	QTY	PART NUMBER	DESCRIPTION
1	1	5514355	Wtmg Sub Head
2	1	*	Wtmg Lug Upper Head
3	1	*	Wldt Pin
4	6	F0112030	Hex Head Capscrew M12 x 1.75 x 30
5	6	F1201224	Flat Washer M12
6	1	5500752	Plt Strap
7	2	5518785	Plt Bolt Cover
8	4	F0110030	Hex Head Capscrew M10 x 1.50 x 30
9	4	F1201021	Flat Washer M10
10	2	*	Mach Bearing
11	2	*	Mach Boom Bearing
12	2	*	Mach Spacer Sleeve
13	1	1107293	Mach Sub Head Cover
14	2	6200002	Grease Fitting

\* Part numbers are Serial Number specific. For replacement parts call the Genesis Parts Department.

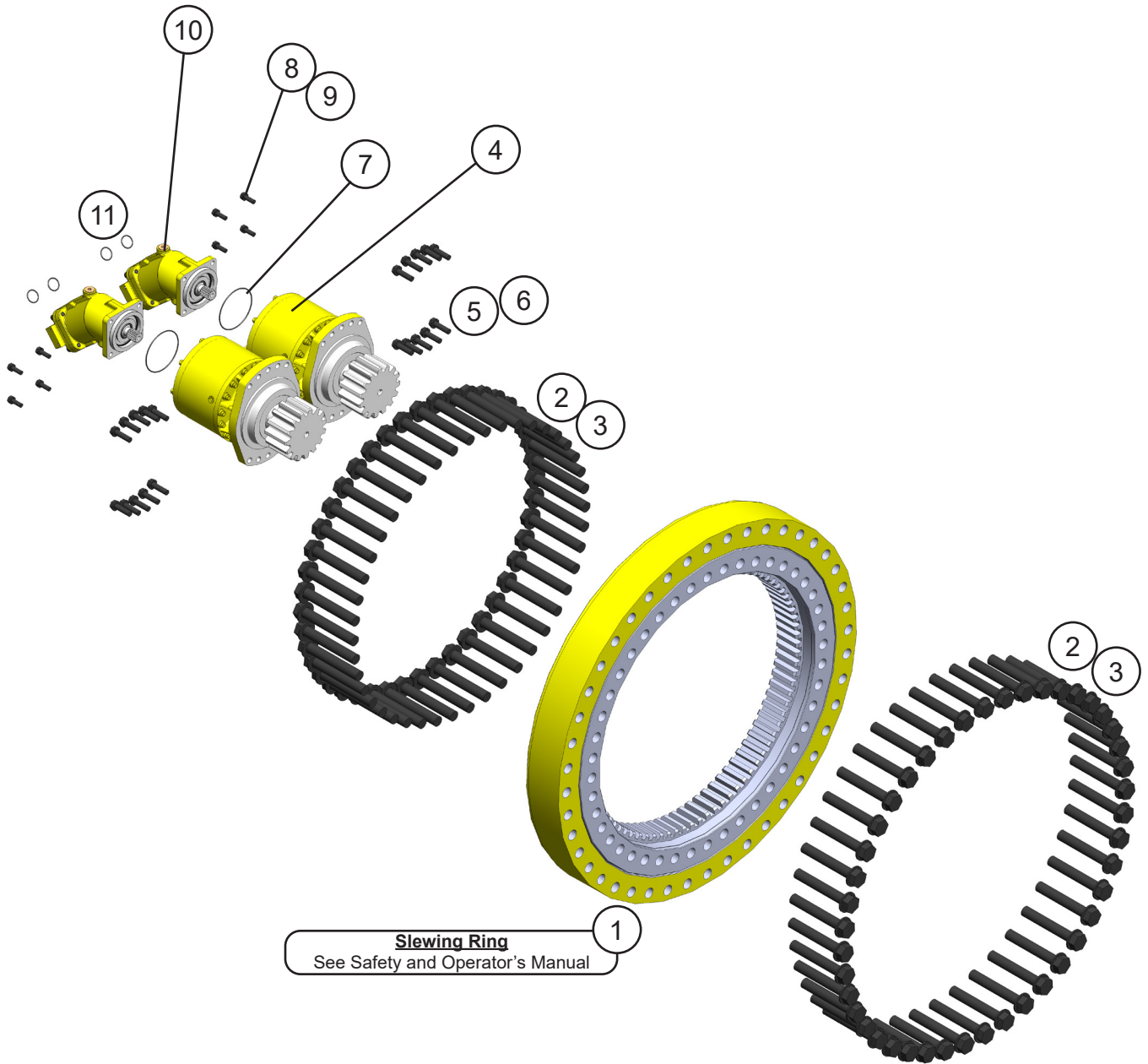
**USA**

715-395-3488

**Europe**

+49 83 31 9 25 98 0

# ASSEMBLY ROTATION - PISTON MOTOR

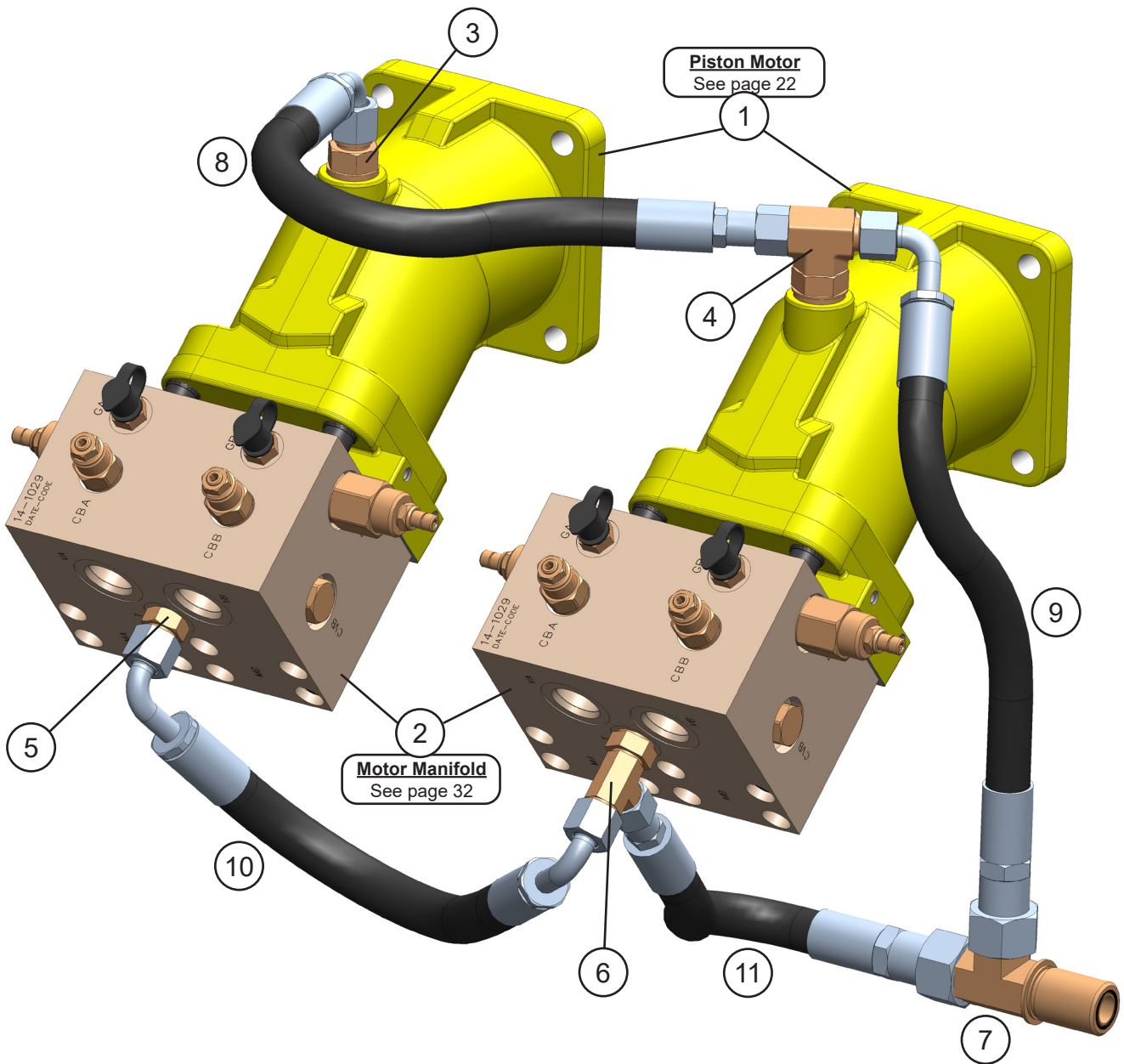


## ASSEMBLY ROTATION - PISTON MOTOR

ITEM	QTY	PART NUMBER	DESCRIPTION
1	1	6301199	Bearing Slewing
2	88	F0213750	Hex Head Capscrew 1¼ - 7 x 7½
3	88	F2803300	Hytorc Washer
4	2	6300446	Gearbox
5	20	F0116060	Hex Head Capscrew M16 x 2.00 x 60
6	20	F1900063	Washer Nord-Lock ⅝ and M16 Steel
7	2	S0190250	O-Ring
8	8	F0250150	Hex Head Capscrew ½ - 13 x 1½
9	8	F1900050	Washer Nord-Lock ½ and M12 Steel
10	2	6360025	Piston Motor
11	4	S0190219	O-Ring

# ASSEMBLY ROTATION - MOTOR AND VALVE DRAIN LINES

SN 20551001 - 1006



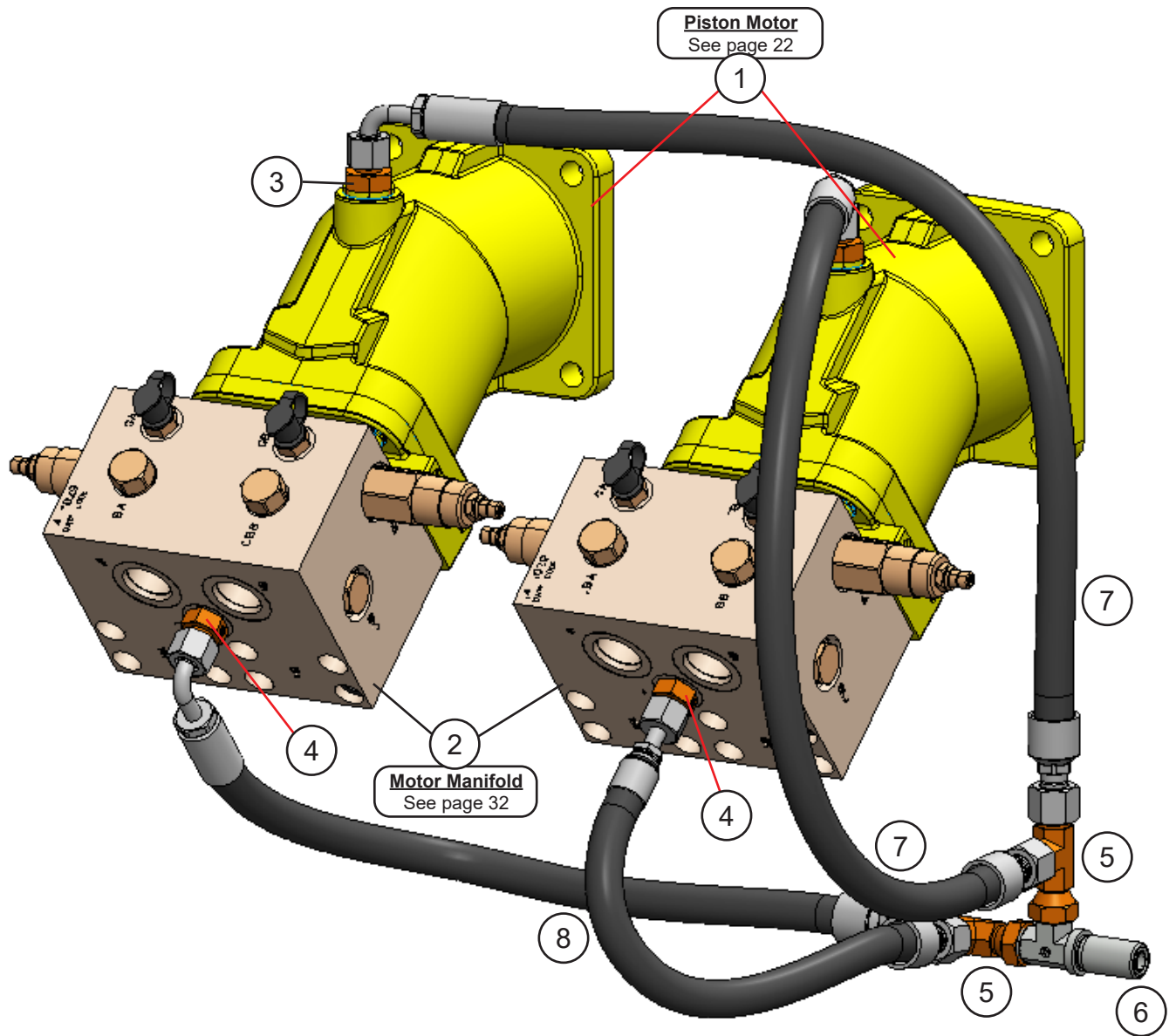


## ASSEMBLY ROTATION - MOTOR AND VALVE DRAIN LINES

ITEM	QTY	PART NUMBER	DESCRIPTION
1	2	See page 22	Piston Motor
2	2	See page 32	Motor Manifold
3	1	6310059	Adaptor 10MB-08MO
4	1	6310188	Adaptor Run Tee 08MFS-10MORB-08MFS
5	2	6300017	Adaptor 08MB-08MO
6	1	6300406	Adaptor Run Tee 08FOX-08MO-08MO
7	1	6310185	Adaptor Run Tee 12MFS-12MFS-12MFS BLKHD
8	1	1107299	Hose
9	1	1107300	Hose
10	1	1107297	Hose
11	1	1107298	Hose

# ASSEMBLY ROTATION - MOTOR AND VALVE DRAIN LINES

SN 20551007+

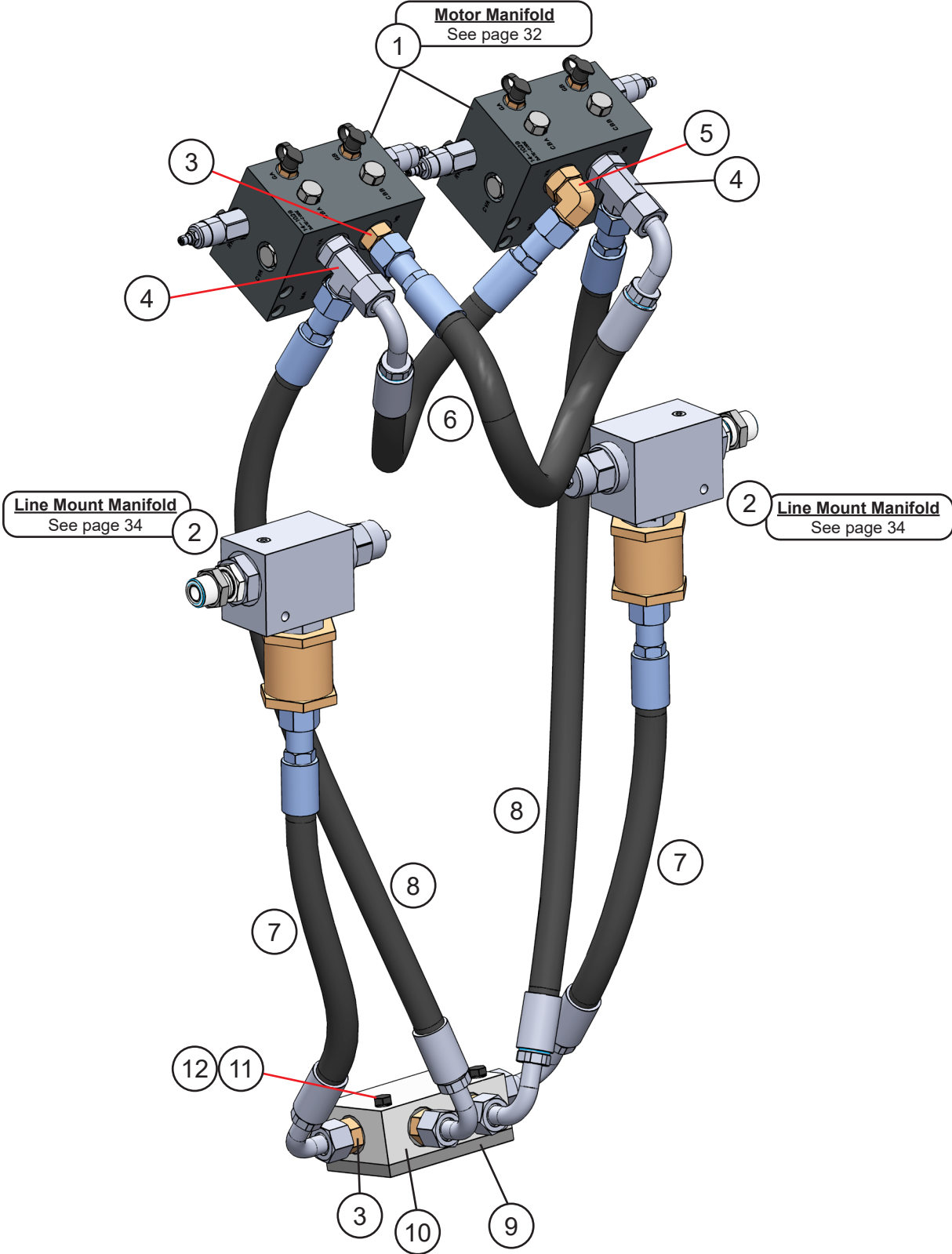


## ASSEMBLY ROTATION - MOTOR AND VALVE DRAIN LINES

ITEM	QTY	PART NUMBER	DESCRIPTION
1	2	See page 22	Piston Motor
2	2	See page 32	Motor Manifold
3	2	6310093	Adapter 10MB-06MO
4	2	6300049	Adapter 08MB-06MO
5	2	6300406	Adapter Run Tee 08FOX-08MO-08MO
6	1	6310409	Adapter Run Tee 08FOX-08MFS-08MFS
7	2	1109935	Hose
8	2	1109936	Hose

# ASSEMBLY ROTATION - VALVE TO VALVE PLUMBING

SN 20551001 - 1006

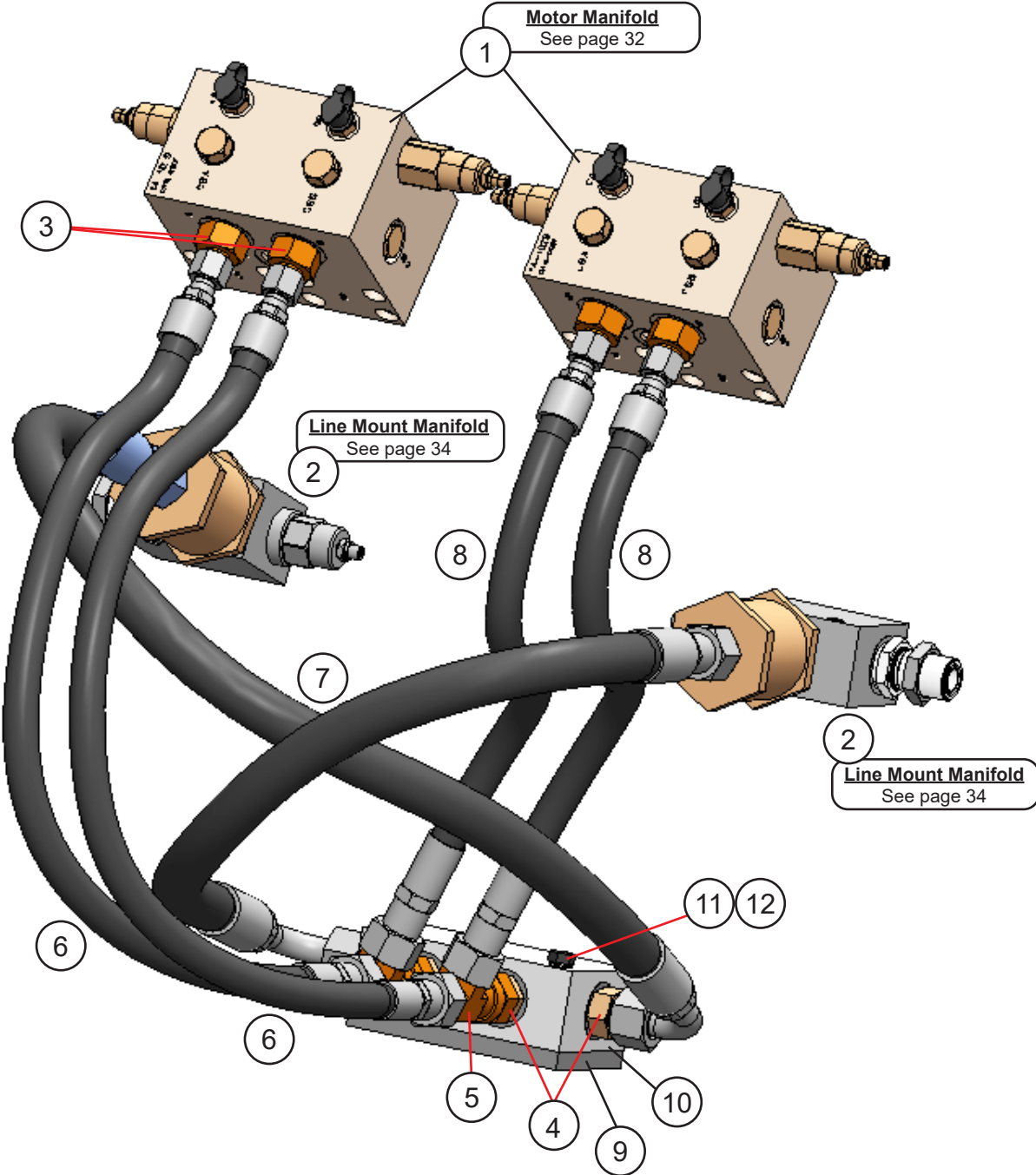


## ASSEMBLY ROTATION - VALVE TO VALVE PLUMBING

ITEM	QTY	PART NUMBER	DESCRIPTION
1	2	See page 32	Motor Manifold
2	2	See page 34	Line Mount Manifold
3	5	6300441	Adapter 12MB-12MO
4	2	6310184	Adapter Run Tee 12MFS-12MORB-12MFS
5	1	6310036	Adapter 12MB-12MO-90
6	2	1107296	Hose
7	2	1108967	Hose
8	2	1108968	Hose
9	1	1108954	Mach Mounting Plate
10	1	6360100	Counterbalance Valve Assembly
11	2	F0110070	Hex Head Capscrew M10 x 1.5
12	2	F1900040	Washer Nord-Lock M10 Steel

# ASSEMBLY ROTATION - VALVE TO VALVE PLUMBING

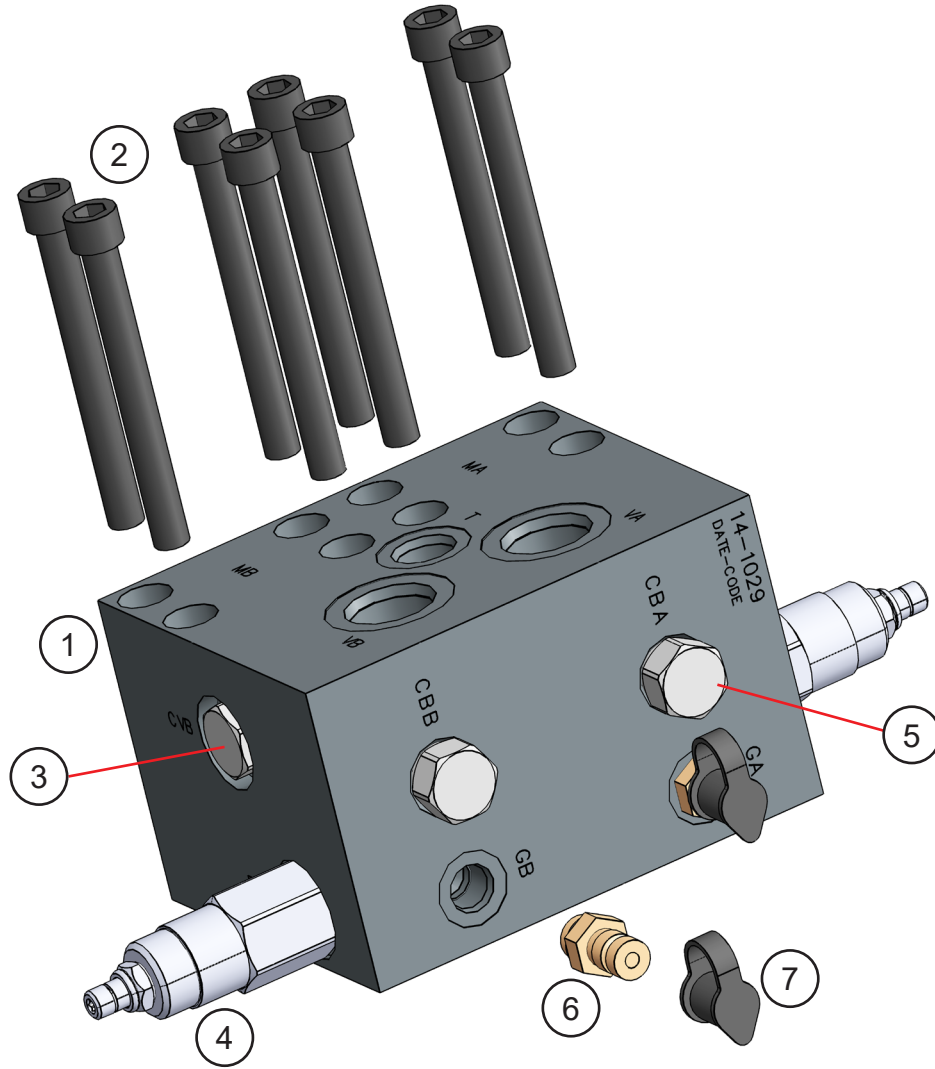
SN 20551007+



## ASSEMBLY ROTATION - VALVE TO VALVE PLUMBING

ITEM	QTY	PART NUMBER	DESCRIPTION
1	2	See page 32	Motor Manifold
2	2	See page 34	Line Mount Manifold
3	4	6300052	Adapter 12MB-08MO
4	4	6300441	Adapter 12MB-12MO
5	2	6310092	Adapter Run Tee 12FOX-12MO-12MO
6	2	1109933	Hose
7	2	1108967	Hose
8	2	1109934	Hose
9	1	1108954	Mach Mounting Plate
10	1	6360100	Counterbalance Valve Assembly
11	2	F0110070	Hex Head Capscrew M10 x 1.5
12	2	F1900040	Washer Nord-Lock M10 Steel

# ASSEMBLY ROTATION - MOTOR MANIFOLD

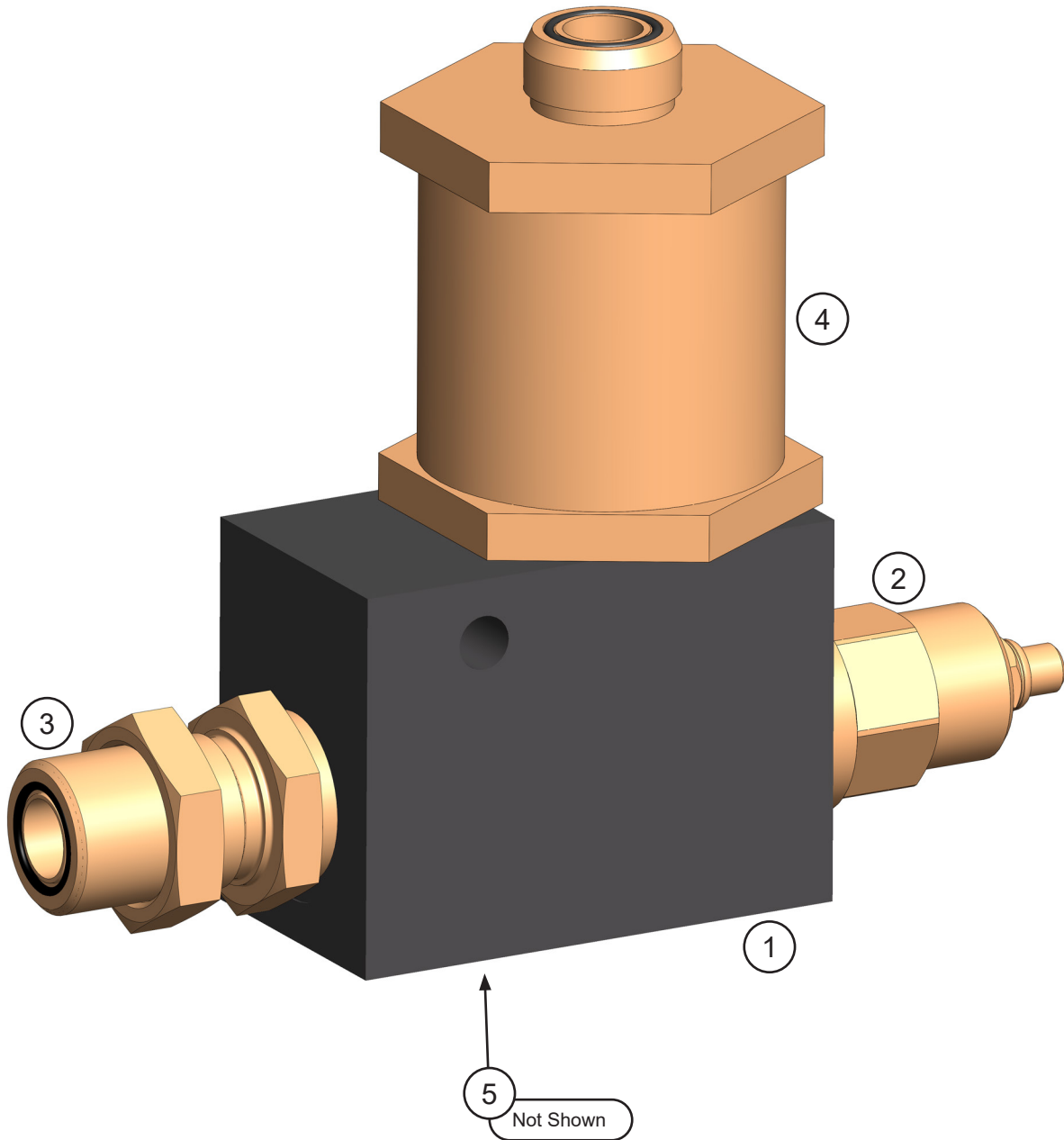




## ASSEMBLY ROTATION - MOTOR MANIFOLD

ITEM	QTY	PART NUMBER	DESCRIPTION
1	1	6360144	Motor Manifold
2	8	F0744400	Socket Head Capscrew 7/16 - 14 x 4
3	2	6380002	Check Valve
4	2	6360101	Relief Valve
5	2	6301253	Cavity Plug
6	2	6300014	Diagnostic Nipple 06MB
7	2	6310001	Diagnostic Nipple Dust Cap

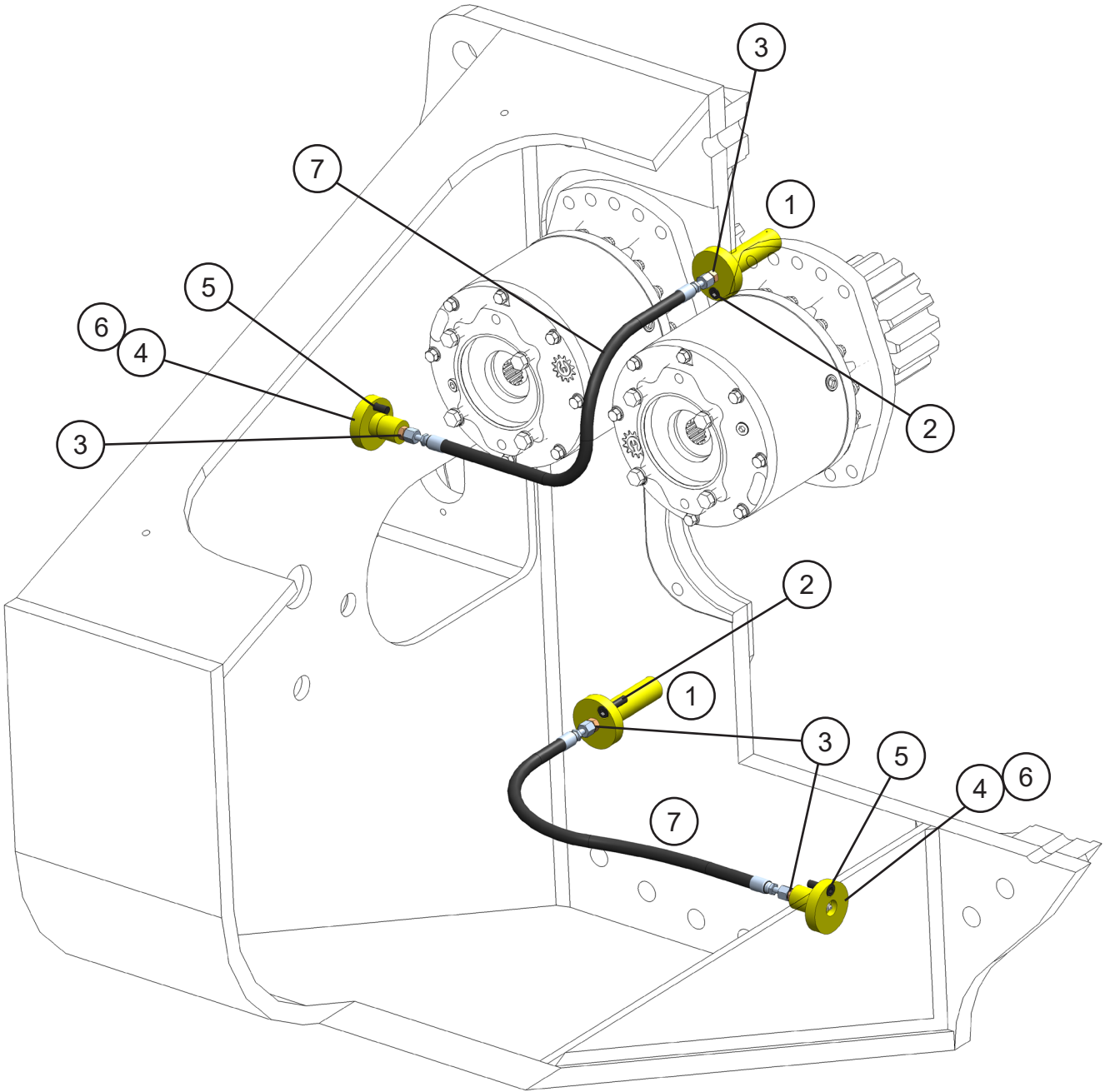
# ASSEMBLY LINE MOUNT MANIFOLD



## ASSEMBLY LINE MOUNT MANIFOLD

ITEM	QTY	PART NUMBER	DESCRIPTION
1	1	6300719	Manifold
2	1	6300720	Flow Control Valve
3	1	6310186	Adaptor 12MFS-Bulkhead-12MORB
4	1	6301211	Filter
5	1	6300582	Plug 04MP

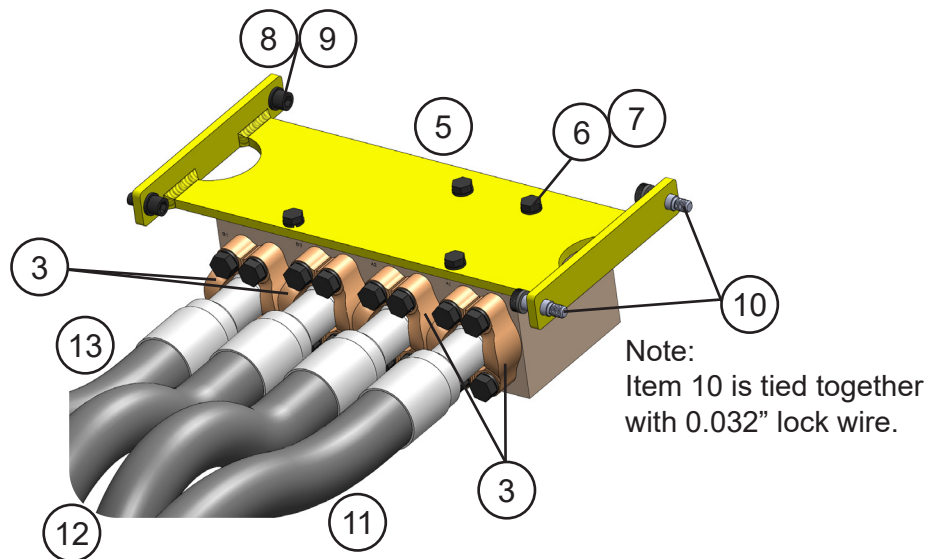
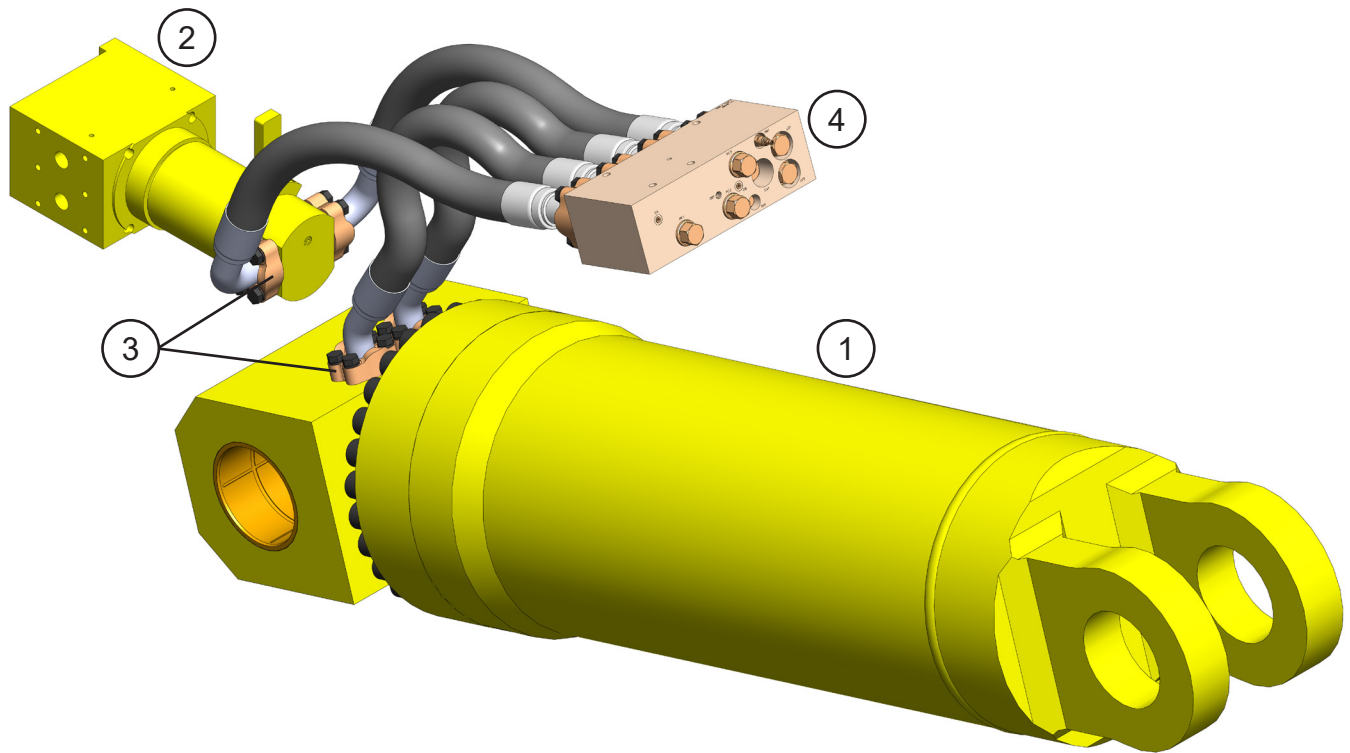
# ASSEMBLY ROTATION - GREASE SYSTEM PLUMBING



# ASSEMBLY ROTATION - GREASE SYSTEM PLUMBING

ITEM	QTY	PART NUMBER	DESCRIPTION
1	2	5512419	Mach Slewing Ring Grease Adaptor
2	2	F0610035	Socket Head Capscrew M10 x 1.50 x 35
3	4	6300731	Adaptor 02MP-04MO
4	2	5512411	Mach Grease Bulkhead Adaptor
5	2	F0610025	Socket Head Capscrew M10 x 1.50 x 25
6	2	6200002	Grease Fitting
7	2	1107301	Hose

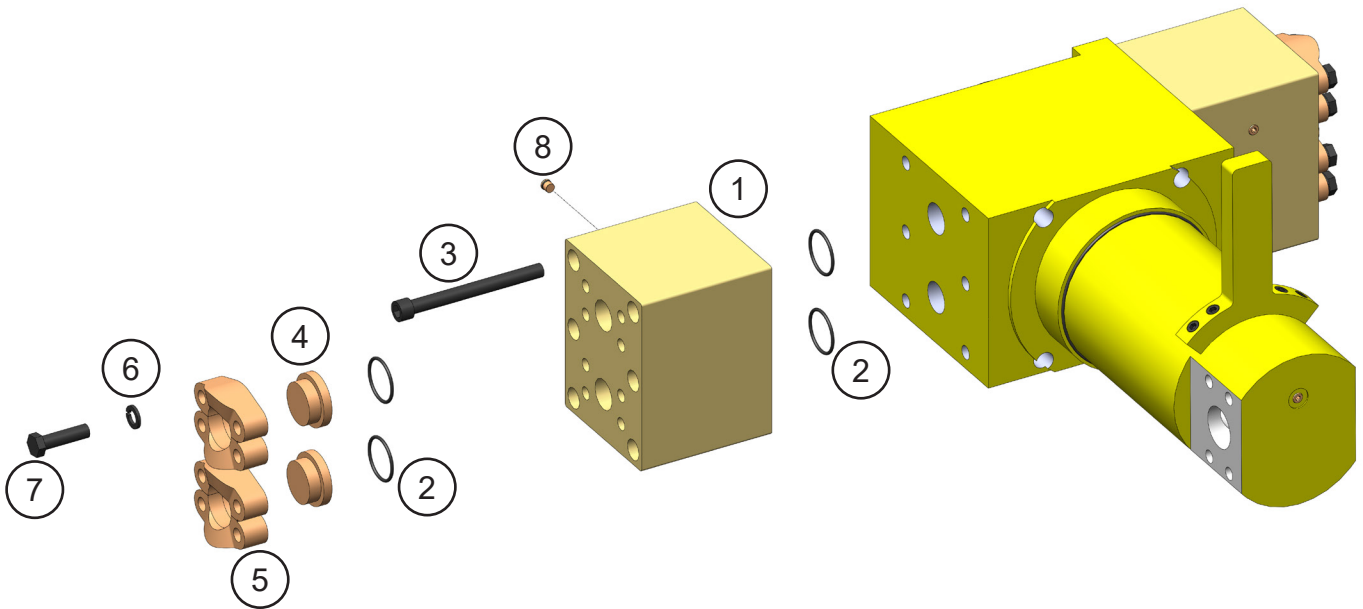
# ASSEMBLY OPEN AND CLOSE CIRCUIT



## ASSEMBLY OPEN AND CLOSE CIRCUIT

ITEM	QTY	PART NUMBER	DESCRIPTION
1	1	6350098	Assembly Cylinder B20.0 R13.0 S46.0
2	1	See page 42	Assembly Swivel Manifold
3	8	<b>2" Split Flange Kit</b>	
	2	H0662200	Split Flange Half 2.00 Code 62
	4	F0120070	Hex Head Capscrew M20-2.5 x 70
	4	F1402000	Lock Washer M20
	1	S0190228	O-Ring
4	1	6360024	Valve Regen
5	1	1107152	Mach Valve Tray
6	4	F0116040	Hex Head Capscrew M16-2.0 x 40
7	4	F1900063	Washer Nord-Lock 5/8 and M16 Steel
8	2	F0616035	Socket Head Capscrew M16-2.0 x 35
9	2	F1201630	Flat Washer M16
10	2	F3616040	Socket Head Shoulder Screw M16-2.0 x 40
11	1	1108483	Hose
12	2	1108482	Hose
13	1	1108484	Hose

# ASSEMBLY PORT BLOCK

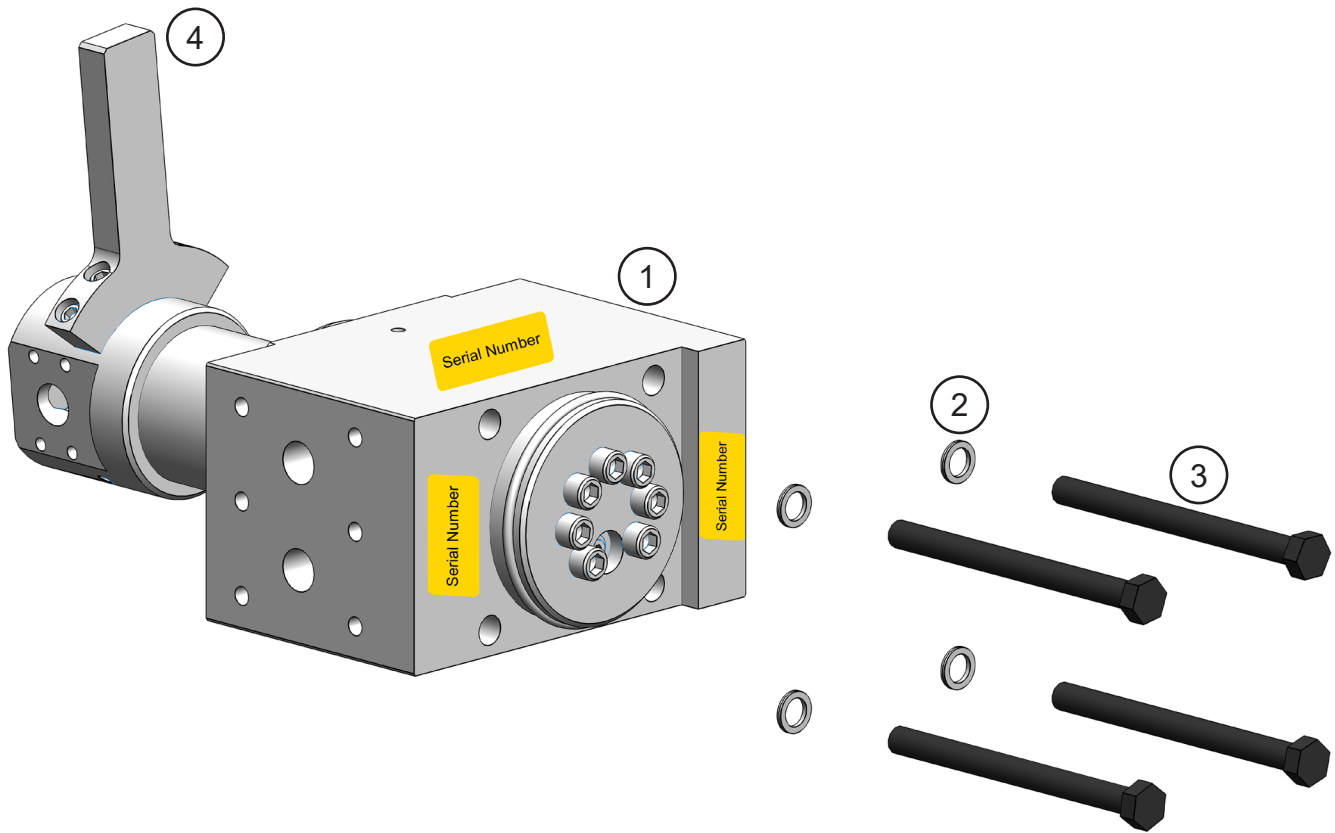




## ASSEMBLY PORT BLOCK

ITEM	QTY	PART NUMBER	DESCRIPTION
1	2	1107290	Mach Port Block
2	8	S0190225	O-Ring
3	12	F0616170	Socket Head Capscrew M16 x 2.00 x 170
4	4	H0362150	Split Flange Plug
5	8	H0262150	Split Flange Half 1.50 Code 62
6	16	F1401628	Lock Washer M16
7	16	F0116060	Hex Head Capscrew M16 x 2.00 x 60
8	2	6300076	Plug Zero-Leak 04

# ASSEMBLY SWIVEL MANIFOLD



## ASSEMBLY SWIVEL MANIFOLD

ITEM	QTY	PART NUMBER	DESCRIPTION
1	1	*	Assembly Swivel Manifold
2	4	F1900075	Wedge Lock Washer ¾
3	4	F0120320	Hex Head Capscrew M20 x 2.5 x 320
4	1	*	Torque Arm Kit

\* Part numbers are Serial Number specific.

For replacement parts and seal kit, call the Genesis Parts Department.

The swivel Serial Number, located in one of the three highlighted areas, is required for **any** parts order.

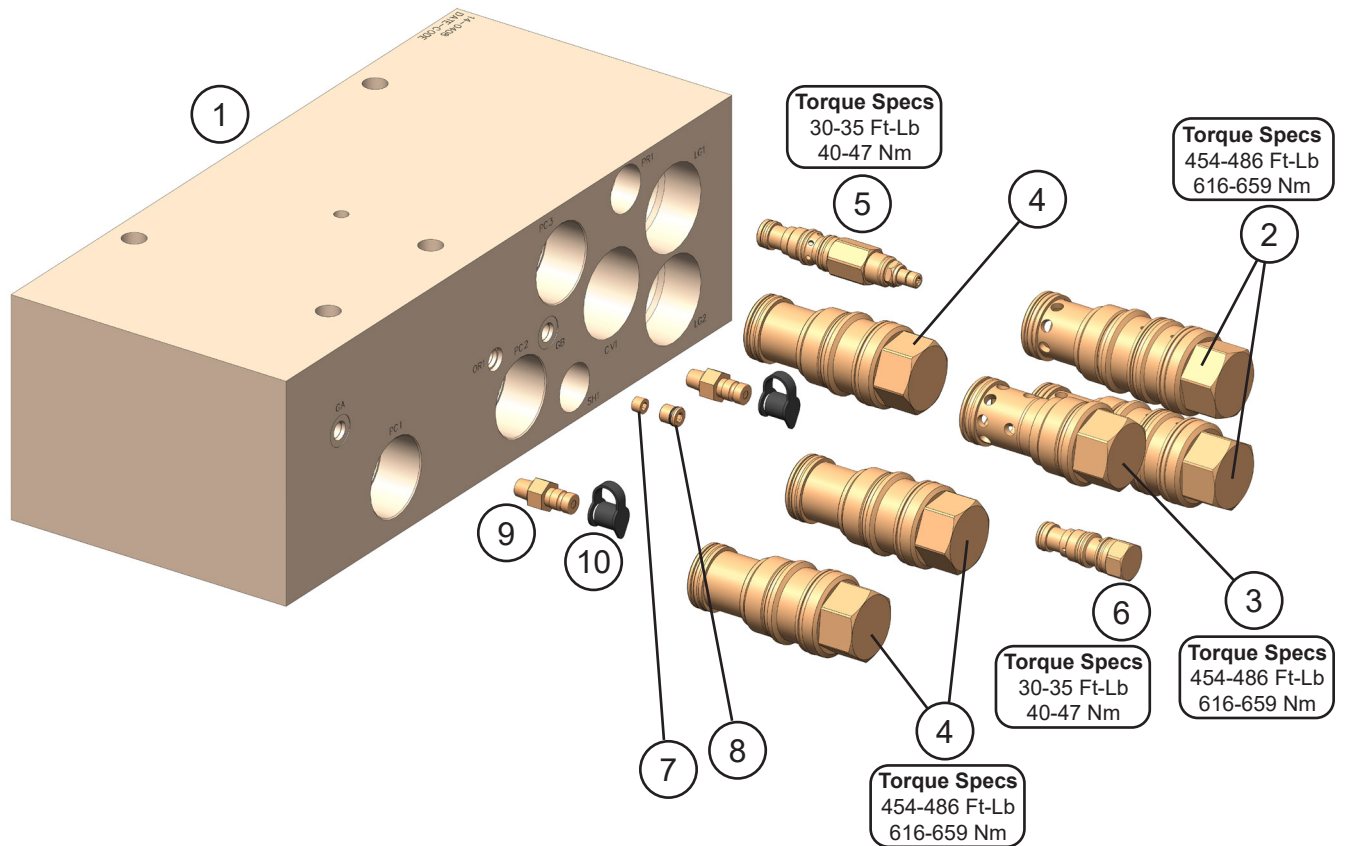
**USA**

715-395-3488

**Europe**

+49 83 31 9 25 98 0

# REGEN BLOCK SUB-ASSEMBLY



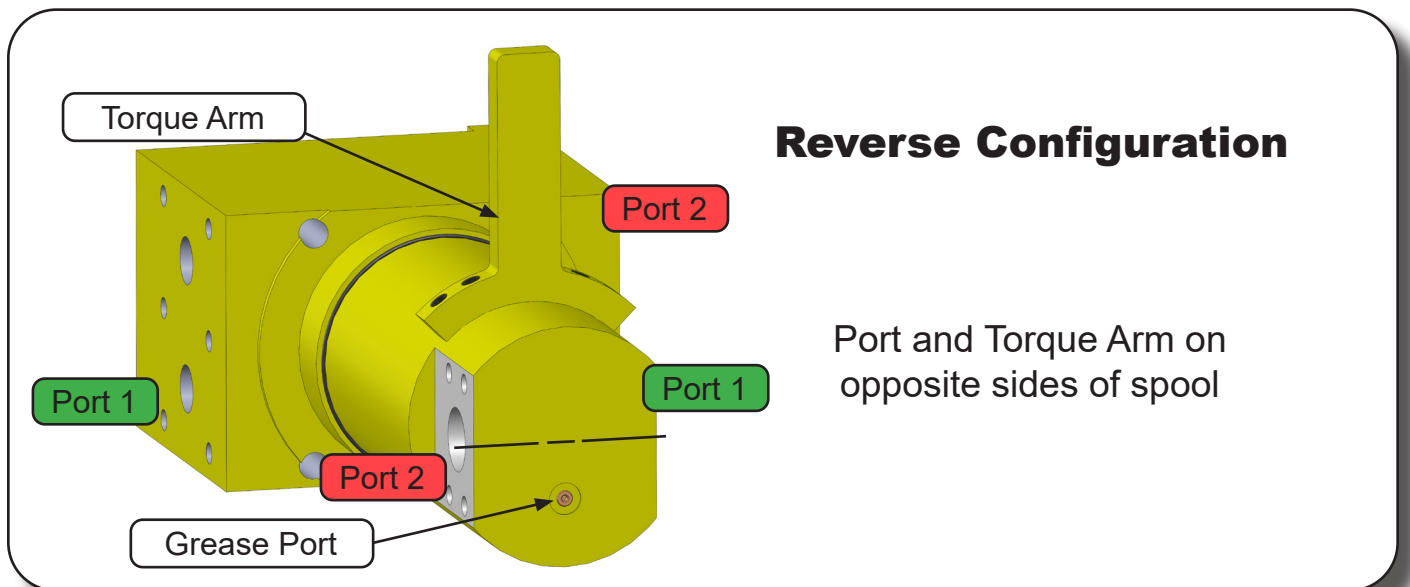
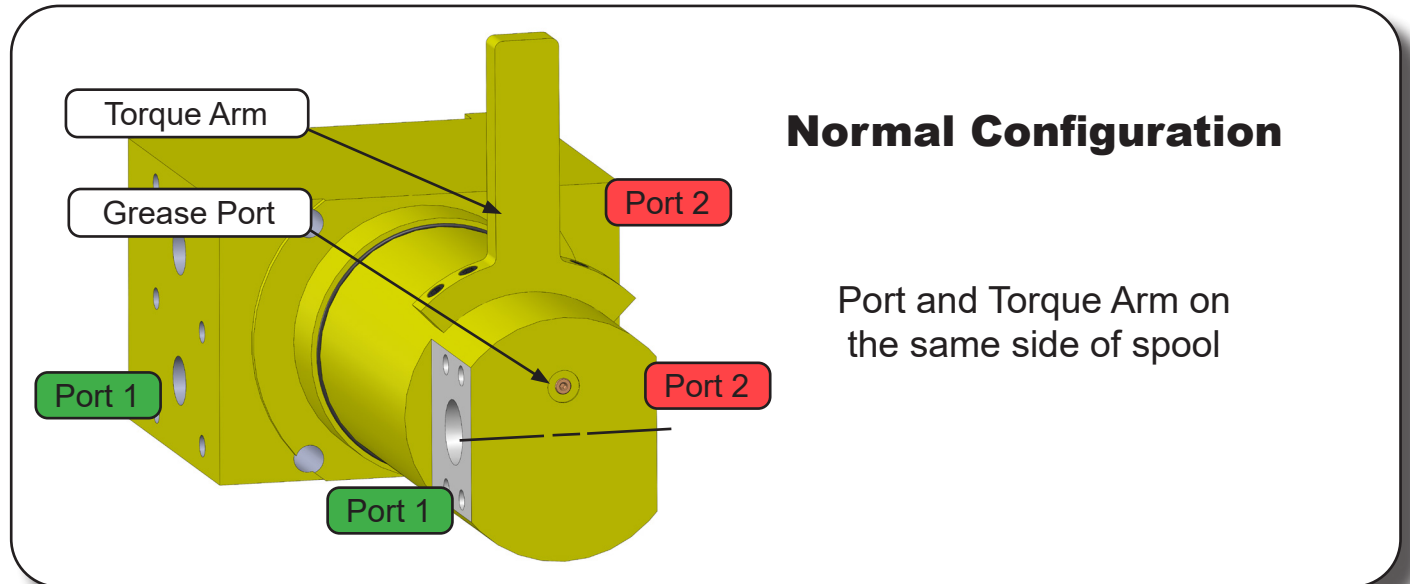
## REGEN BLOCK SUB-ASSEMBLY

ITEM	QTY	PART NUMBER	DESCRIPTION
1	1	6360024	Valve Regen <span style="float: right;"><b>Seal Kit SK00189</b></span>
2	2	6300623	Logic Valve <span style="float: right;"><b>Seal Kit 6300624</b></span>
3	1	6380011	Check Valve <span style="float: right;"><b>Seal Kit SK00023</b></span>
4	3	6300061	Pilot to Close Check Valve <span style="float: right;"><b>Seal Kit SK00024</b></span>
5	1	6300625	Pressure Reducing Valve <span style="float: right;"><b>Seal Kit 6300622</b></span>
6	1	6301200	Shuttle Valve
7	1	6300903	Plug Pipe Orifice 01MP 1/16-27 NPT
8	17	6300075	Plug Socket Head 02MB
9	2	6300088	Diagnostic Nipple
10	2	6310001	Diagnostic Nipple Dust Cap
11	4	6300076	Plug Socket Head 04MB (Not Shown)
12	12	6300078	Plug Socket Head 16MB (Not Shown)

Your GXT 2055 mobile shear will contain one of two regens, Part Number 6360021 or 6360024. If the Mach Plt Frmd Valve Tray is under the regen, the shear contains regen 6360021. If the Mach Plt Frmd Valve Tray is on top of the regen, the shear contains regen 6360024.

# ASSEMBLY SWIVEL MANIFOLD CONFIGURATIONS

## Visual Quick Reference



## BOLT TORQUE SPECIFICATIONS

Reference the product Thread Treatment Diagrams on page 48 to determine whether to use wet or dry torque values for specific bolts.

Reference Procedures on page 49 for threadlocker or anti-seize application and bolt and bolt hole cleaning.

Prior to torquing, clean all bolt holes, bolts and nuts to remove dirt, grease and oil, and identify bolt type.

Never re-torque bolts that use Loctite. If a bolt becomes loose or damaged after the initial use when Loctite was applied and the bolt was torqued, the bolt must be replaced.

Never break tightened bolts loose with a torque wrench. Doing so may break the torque wrench or take it out of calibration.

Torque wrenches should be calibrated on an annual basis.

When using a torque multiplier with a torque wrench, incorrect settings will be multiplied by the ratio of the torque wrench.

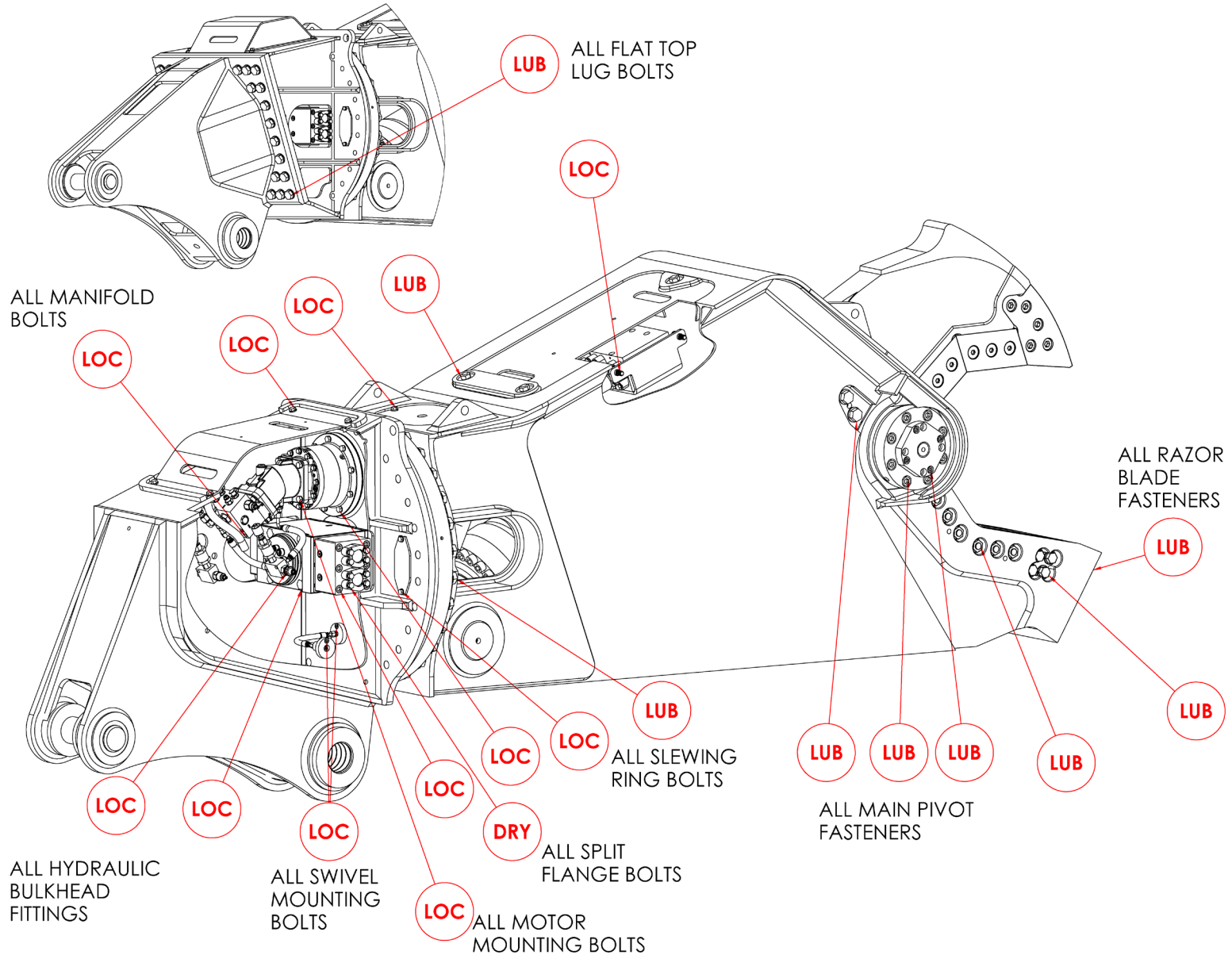
Never use an impact driver on a torque multiplier.

# THREAD TREATMENT DIAGRAM

## Mobile Shears

Use this diagram to determine what thread treatment, if any, is required for each fastener.

For thread treatment application procedures, see page 49. For prescribed torque values, see page 51





# PROCEDURES

Reference the product Thread Treatment Diagrams on page 48 to determine which of the following procedures is required.

## Cleaning

To ensure proper performance of thread treatment and accurate torque values, clean and degrease **all internal and external threads** prior to application of threadlocker, anti-seize or primer and before installation of hardware.

- Ensure both internal and external threads are free of dirt or debris.
- Use brake cleaner or similar cleaning solvent on all threads to remove any grease or oil.
- Allow threads to dry.

## NOTICE

Failure to properly clean threads will cause threadlocker, primer, and/or anti-seize to not properly cure!

LOC

## Threadlocker

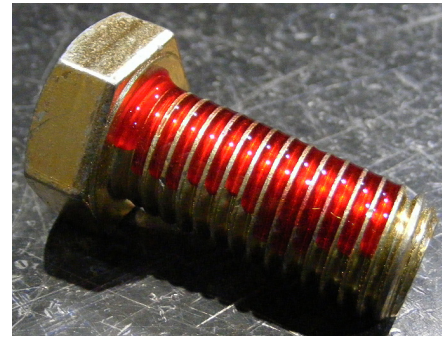
For bolted connections requiring threadlocker, use **Loctite 263** or equivalent applied using the following procedure:

- Clean and degrease all threads.
- For thru holes or nuts, apply threadlocker to bolt threads.
- For blind holes, apply stripe of threadlocker along the length of the hole (applying to the bolt can cause escaping air to remove threadlocker as the bolt is inserted).
- Torque bolt to specified **Wet Torque Value**, see page 51.

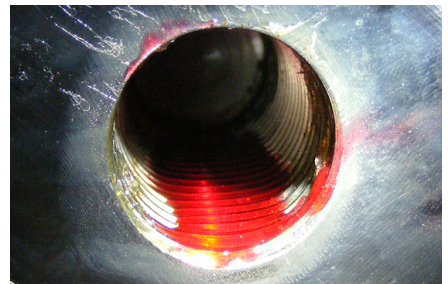
For threaded hydraulic fitting connections, use **Loctite 5452** or equivalent thread sealant in conjunction with **Loctite 7471** primer using the following procedure:

- Clean and degrease all threads.
- Apply Loctite 7471 primer to both external and internal threads and allow to dry.
- Apply threadlocker to 360 degrees of the threads on the male fitting, ensuring adequate coverage.
- Assemble fitting per directions in operator's manual.
- For O-ring boss and flat face O-ring connections, torque fittings to values specified on page 52.

Threadlocker



Blind Hole



Hydraulic Fitting



## PROCEDURES

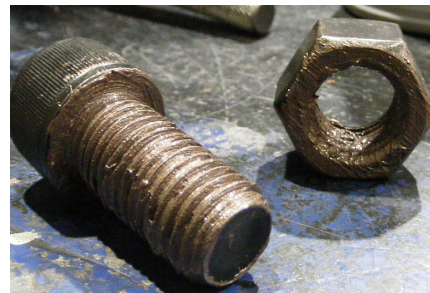
LUB

### Anti-Seize

For bolted connections requiring anti-seize lubrication, use **Loctite LB8008** or equivalent using the following procedure:

- Clean and degrease all threads.
- Apply thin coat of anti-seize to internal and external threads and under bolt head and/or nut, ensuring complete coverage.
- Torque bolt to specified **Wet Torque Value**, see page 51.

Anti-Seize

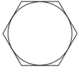
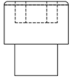
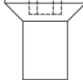


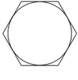
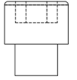
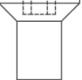
DRY

### No Thread Treatment

- Clean and degrease all threads.
- Torque bolt to specified **Dry Torque Value**, see page 51.

# BOLT TORQUE SPECIFICATIONS

<b>Dry Torque Values</b>					
		Hex/Socket Head		Flat Head	
		 			
Fastener Grade	Size x Pitch	Nm	Ft-lb	Nm	Ft-lb
CL 10.9	M8 x 1.25	35	26	27	20
	M10 x 1.50	71	53	58	42
	M12 x 1.75	124	92	101	73
	M14 x 1.50	200	148	163	118
	M14 x 2.00	200	148	163	118
	M16 x 2.00	311	230	254	184
	M20 x 1.50	610	450	498	360
	M20 x 2.50	608	449	497	359
	M24 x 3.00	1054	778	861	622
	M27 x 3.00	1543	1138	1260	910
	M30 x 3.50	2095	1545	1712	1236
	M36 x 4.00	3659	2699	2991	2159
8	1/4-20	14	11	11	8
	5/16-18	32	24	26	19
	3/8-16	59	44	48	35
	7/16-14	94	70	77	56
	1/2-13	143	106	116	84
	1/2-20	162	120	133	96
	5/8-11	287	212	234	169
	3/4-10	509	376	415	300
	7/8-9	821	606	670	484
	1.00-8	1232	909	1007	727
	1.00-14	1383	1020	1130	816
	1.25-7	2463	1817	2013	1453
8/L9	1.50-6	4287	3162	3504	2529

<b>Wet Torque Values</b>					
		Hex/Socket Head		Flat Head	
		 			
Fastener Grade	Size x Pitch	Nm	Ft-lb	Nm	Ft-lb
CL 10.9	M8 x 1.25	29	22	23	17
	M10 x 1.50	61	45	49	36
	M12 x 1.75	105	78	85	62
	M14 x 1.50	150	111	121	88
	M14 x 2.00	170	126	138	100
	M16 x 2.00	265	196	216	156
	M20 x 1.50	456	337	372	269
	M20 x 2.50	517	382	422	305
	M24 x 3.00	894	660	731	528
	M27 x 3.00	1312	968	1072	774
	M30 x 3.50	1779	1312	1453	1049
	M36 x 4.00	3110	2294	2542	1835
8	1/4-20	13	10	11	8
	5/16-18	27	20	22	16
	3/8-16	50	37	40	29
	7/16-14	80	59	65	47
	1/2-13	122	90	99	72
	1/2-20	138	102	112	81
	5/8-11	244	180	199	144
	3/4-10	433	320	354	256
	7/8-9	698	515	570	412
	1.00-8	1046	772	854	617
	1.00-14	1175	867	960	693
	1.25-7	2095	1545	1712	1236
8/L9	1.50-6	3644	2688	2979	2150

# O-RING BOSS & FLAT FACE O-RING TORQUE SPECIFICATIONS

O-Ring Boss Torque Values		
Size Dash	Nm	Ft-lb
-4	22	16
-5	27	20
-6	36	26
-8	83	60
-10	110	80
-12	187	135
-14	249	180
-16	304	220
-20	387	280
-24	498	360

Flat Face O-Ring Torque Values		
Size Dash	Nm	Ft-lb
-4	18	13
-6	30	22
-8	60	44
-10	85	62
-12	121	88
-14	121	88
-16	160	116
-20	213	154
-24	274	198

# BOLT DRIVE SPECIFICATIONS

Thread Size x Pitch	Hex Head	Socket Head	Flat Head
			
<b>Wrench/Drive Size</b>			
M8 x 1.25	13mm	6mm	5mm
M10 x 1.50	17mm	8mm	6mm
M12 x 1.75	19mm	10mm	8mm
M14 x 1.50	22mm	12mm	10mm
M14 x 2.00	22mm	12mm	10mm
M16 x 2.00	24mm	14mm	10mm
M20 x 1.50	30mm	17mm	12mm
M20 x 2.50	30mm	17mm	12mm
M24 x 3.00	36mm	19mm	14mm
M27 x 3.00	41mm	19mm	-
M30 x 3.50	46mm	22mm	-
M36 x 4.00	55mm	27mm	-
1/4-20	7/16"	3/16"	5/32"
5/16-18	1/2"	1/4"	3/16"
3/8-16	9/16"	5/16"	7/32"
7/16-14	5/8"	3/8"	1/4"
1/2-13	3/4"	3/8"	5/16"
1/2-20	3/4"	3/8"	5/16"
5/8-11	15/16"	1/2"	3/8"
3/4-10	1-1/8"	5/8"	1/2"
7/8-9	1-5/16"	3/4"	9/16"
1.00-8	1-1/2"	3/4"	5/8"
1.00-14	1-1/2"	3/4"	5/8"
1.25-7	1-7/8"	7/8"	7/8"
1.50-6	2-1/4"	1"	1"

# WARRANTY

## **Claim Procedure**

Notify the Genesis Service Department of the potential warranty claim prior to making the repair. Digital pictures are very helpful for diagnosing problems and recommending repairs.

Contact the Genesis Service Department before making alterations, changes or repairs to any component that is going to be considered for warranty. Not doing so will void all Genesis warranty consideration.

The Genesis Service Department will issue an authorization number to track the repair costs, outgoing parts, and/or defective parts returning to the factory.

Replacement parts must be ordered using a purchase order number. Shipping is standard ground. Overnight shipping is available by request, and Genesis will not cover the shipping charge.

When the repair is complete, submit an invoice to the Genesis Service Department within 30 days. Include itemized internal labor reporting, parts lists and invoices for outside contractors. Reference the authorization number on all invoices.

When returning parts for warranty consideration, include a copy of any related Genesis paperwork along with any other necessary documentation to ensure proper processing and credit. The Genesis Service Department will provide the necessary forms.

Your account will be credited when the warranty claim is accepted.

## **Blade Warranty**

Standard warranty on blades will only be considered on the first edge, and wear on the edge must be 1/8" radius or less. Genesis does not warranty cutting blades that are cracked or broken from top to bottom (perpendicular to the long edge of the blade). Genesis also does not cover fasteners, the labor to replace wear components or collateral damage, such as blade seats, from broken blades, the piercing blade tang or adjustment plates.

**Please direct any questions to the Genesis Service Department: 715-395-5252**

# PARTS ORDER POLICY AND PROCEDURE

## **Parts Orders Should Include**

- Purchase order number
- Model and serial number of attachment
- Part number and quantity needed
- Shipping and billing address
- Method of shipment or required delivery date

## **Placing Orders**

Orders may be placed by phone or e-mail. To e-mail an order, use the form on the following page or your purchase order form. Contact information is located at the front of this manual.

## **Part Numbers**

Part numbers are listed in a separate Parts Manual or, if included, the Parts section of this manual. Contact the Genesis Parts Department with questions regarding part numbers, availability and pricing.

## **Shipping**

All orders will be shipped best way surface unless an alternate shipping method is requested. Shipping charges are not included in the purchase price of parts.

## **Invoices**

All invoices are due upon receipt. Any accounts with invoices open beyond 60 days are subject to review and may be placed on C.O.D. status without further notice.

## **Returns**

Many unused Genesis parts may be returned with proper documentation. Return shipping is the responsibility of the purchaser. Credit will be issued upon return, less a 25% restocking fee. Documentation is required for credit of returned parts. Contact the Genesis Service Department at 715-395-5252 for an RGA (Return Goods Authorization) number and form. An RGA must accompany every return. Items shipped without an RGA may be returned to sender.

## **Warranty Returns**

All parts returned to Genesis for warranty consideration must be returned with a completed RGA (Return Goods Authorization) provided by the Genesis Service Department. The form needs to be completed in its entirety, including any additional information requested by the Service Department. Return shipping is the responsibility of the sender and will be credited upon claim approval. A determination to accept or deny the claim will be made based upon the information available to Genesis. Warranty on purchased parts other than wear components is 6 months. Genesis does not cover labor costs to replace purchased parts replaced under warranty. There is no warranty period on wear parts or components.



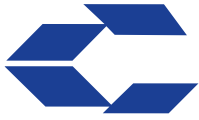


# INDEX

- 2" Split Flange Kit 39
- 1102487 Mach Pin Keeper 17
- 1103117 Mach Blade 11, 13
- 1104088 Mach Pin Keeper 17
- 1105609 Mach Guide Blade 11
- 1105610 Mach Adj Plate Guide Blade 11
- 1105611 Mach Adj Plate Guide Blade 11
- 1105614 Shim Set Guide Blade 11
- 1105854 Mach Shoulder Bolt 19
- 1106478 Shim Set, Auto Guide 15
- 1107031 Mach Tie Rod Nut 7, 9
- 1107118 Wtmg Stick 5
- 1107125 Wtmg Upper 5
- 1107126 Mach Bearing 7, 9
- 1107128 Mach Thrust Washer 7, 9
- 1107129 Mach End Cap 7, 9
- 1107130 Mach Tie Rod 7
- 1107132 Shim Set Thrust Washer 7, 9
- 1107139 Mach Blade Razor 11
- 1107149 Mach Blade Tip Right 13
- 1107150 Mach Blade Tip Left 13
- 1107152 Mach Valve Tray 39
- 1107158 Wldt Front Cylinder Pin 17
- 1107161 Mach Pin Rear 17
- 1107165 Mach Bearing Upper Cylinder 17
- 1107201 Mach Bolt Socket Head Capscrew 1¼ - 7 x 5<sup>5</sup>/<sub>8</sub>  
Custom 13
- 1107290 Mach Port Block 41
- 1107293 Mach Sub Head Cover 21
- 1107296 Hose 29
- 1107297 Hose 25
- 1107298 Hose 25
- 1107299 Hose 25
- 1107300 Hose 25
- 1107301 Hose 37
- 1107838 Plt Rear Cover 19
- 1107959 Mach Adj Plate Secondary 11
- 1107961 Shim Set Long Blade 11
- 1108426 Wldt Cover 19
- 1108482 Hose 39
- 1108483 Hose 39
- 1108484 Hose 39
- 1108954 Mach Mounting Plate 29, 31
- 1108967 Hose 29, 31
- 1108968 Hose 29
- 1109658 Mach Adj Plate Primary 11
- 1109933 Hose 31
- 1109934 Hose 31
- 1109935 Hose 27
- 1109936 Hose 27
- 5500752 Plt Strap 21
- 5512411 Mach Grease Bulkhead Adaptor 37
- 5512419 Mach Slewing Ring Grease Adaptor 37
- 5514355 Wtmg Sub Head 21
- 5518785 Plt Bolt Cover 21
- 6200002 Grease Fitting 7, 9, 15, 17, 21, 37
- 6300014 Diagnostic Nipple 06MB 33
- 6300017 Adaptor 08MB-08MO 25
- 6300049 Adapter 08MB-06MO 27
- 6300052 Adapter 12MB-08MO 31
- 6300061 Pilot to Close Check Valve 45
- 6300075 Plug Socket Head 02MB 45
- 6300076 Plug Socket Head 04MB 45
- 6300076 Plug Zero-Leak 04 41
- 6300078 Plug Socket Head 16MB 45
- 6300088 Diagnostic Nipple 45
- 6300406 Adapter Run Tee 08FOX-08MO-08MO 27
- 6300406 Adaptor Run Tee 08FOX-08MO-08MO 25
- 6300441 Adapter 12MB-12MO 29, 31
- 6300446 Gearbox 23
- 6300582 Plug 04MP 35
- 6300623 Logic Valve 45
- 6300625 Pressure Reducing Valve 45
- 6300719 Manifold 35
- 6300720 Flow Control Valve 35
- 6300731 Adaptor 02MP-04MO 37
- 6300903 Plug Pipe Orifice 01MP 1/16-27 NPT 45
- 6301112 O-Ring 19
- 6301199 Bearing Slewing 23
- 6301200 Shuttle Valve 45
- 6301211 Filter 35
- 6301253 Cavity Plug 33
- 6310001 Diagnostic Nipple Dust Cap 33, 45
- 6310036 Adapter 12MB-12MO-90 29
- 6310059 Adaptor 10MB-08MO 25
- 6310092 Adapter Run Tee 12FOX-12MO-12MO 31
- 6310093 Adapter 10MB-06MO 27
- 6310184 Adapter Run Tee 12MFS-12MORB-12MFS 29
- 6310185 Adaptor Run Tee 12MFS-12MFS-12MFS  
BLKHD 25
- 6310186 Adaptor 12MFS-Bulkhead-12MORB 35
- 6310188 Adaptor Run Tee 08MFS-10MORB-08MFS 25
- 6310409 Adapter Run Tee 08FOX-08MFS-08MFS 27
- 6350098 Assembly Cylinder - Complete 39
- 6360024 Valve Regen 39, 45
- 6360025 Piston Motor 23
- 6360100 Counterbalance Valve Assembly 29, 31
- 6360101 Relief Valve 33
- 6360144 Motor Manifold 33
- 6380002 Check Valve 33
- 6380011 Check Valve 45
- Assembly Access Covers 5, 18, 19
- Assembly Auto Guide 5, 14, 15
- Assembly Cylinder Pins 5, 16, 17
- Assembly Line Mount Manifold 5, 34, 35
- Assembly Lower Blades 5, 10, 11
- Assembly Open and Close Circuit 5, 38, 39
- Assembly Pivot Group - Left Side 5, 8, 9
- Assembly Pivot Group - Right Side 5, 6, 7
- Assembly Port Block 5, 40, 41

# INDEX

- Assembly Rotation - Grease System Plumbing 5, 36, 37
- Assembly Rotation - Motor and Valve Drain Lines 5, 24, 25, 26, 27
- Assembly Rotation - Motor Manifold 5, 32, 33
- Assembly Rotation - Piston Motor 5, 22, 23
- Assembly Rotation - Valve to Valve Plumbing 5, 28, 29, 30, 31
- Assembly Swivel Manifold 5, 39, 42, 43
- Assembly Swivel Manifold Configurations 46
- Assembly Upper Blades 5, 12, 13
- Assembly Upper Head 5, 20, 21
- Bolt Drive Specifications 53
- Bolt Torque Specifications 47, 51
- Contact Information 2, 59
- F0110030 Hex Head Capscrew M10 x 1.50 x 30 21
- F0110070 Hex Head Capscrew M10 x 1.5 31
- F0110070 Hex Head Capscrew M10X1.5 29
- F0112030 Hex Head Capscrew M12 x 1.75 x 30 19, 21
- F0116040 Hex Head Capscrew M16-2.0 x 40 39
- F0116060 Hex Head Capscrew M16 x 2.00 x 60 23, 41
- F0120070 Hex Head Capscrew M20-2.5 x 70 39
- F0120320 Hex Head Capscrew M20 x 2.5 x 320 43
- F0210200 Hex Head Capscrew 1-8x2 11
- F0210575 Hex Head Capscrew 1-8x5.75 11
- F0210700 Hex Head Capscrew 1 - 8 x 7 15
- F0210700 Hex Head Capscrew 1-8x7 11
- F0213750 Hex Head Capscrew 1¼ - 7 x 7½ 23
- F0250150 Hex Head Capscrew ½ - 13 x 1½ 23
- F0412030 Flat Head Capscrew M12 x 1.75 x 30 7, 9
- F0510650 Flat Head Capscrew 1-8x6½ 13
- F0510700 Flat Head Capscrew 1-8x7 11
- F0510800 Flat Head Capscrew 1-8x8 13
- F0610025 Socket Head Capscrew M10 x 1.50 x 25 37
- F0610035 Socket Head Capscrew M10 x 1.50 x 35 37
- F0612045 Socket Head Capscrew M12 x 1.75 x 45 7, 9
- F0616035 Socket Head Capscrew M16-2.0 x 35 39
- F0616050 Socket Head Capscrew M16 x 2.00 x 50 7, 9
- F0616170 Socket Head Capscrew M16 x 2.00 x 170 41
- F0620100 Socket Head Capscrew M20 x 2.50 x 100 7, 9
- F0620130 Socket Head Capscrew M20 x 2.50 x 130 17
- F0624280 Socket Head Capscrew M24 x 3.00 x 280 17
- F0744400 Socket Head Capscrew 7/16 - 14 x 4 33
- F0910008 Hex Nut 1-8 11, 13
- F1020250 Nylock Nut M20 x 2.50 17
- F1024300 Nylock Hex Nut M24 x 3.00 17
- F1201021 Flat Washer M10 21
- F1201224 Flat Washer M12 7, 9, 19, 21
- F1201630 Flat Washer M16 7, 9, 39
- F1202037 Flat Washer M20 7, 9
- F1300100 Flat Washer 1" 11, 13
- F1300100 Flat Washer Narrow 1" 15
- F1401628 Lock Washer M16 41
- F1402000 Lock Washer M20 39
- F1900040 Washer Nord-Lock M10 Steel 29, 31
- F1900050 Washer Nord-Lock ½ and M12 Steel 23
- F1900063 Washer Nord-Lock ⅝ and M16 Steel 39
- F1900075 Wedge Lock Washer ¾ 43
- F2510100 Set Screw Socket Head 1-8x1 11
- F2803300 Hytorc Washer 23
- F3616040 Socket Head Shoulder Screw M16-2.0 x 40 39
- General Arrangement 4, 5
- H0262150 Split Flange Half 1.50 Code 62 41
- H0362150 Split Flange Plug 41
- H0662200 Split Flange Half 2.00 Code 62 39
- Line Mount Manifold 29, 31
- Mach Bearing 21
- Mach Boom Bearing 21
- Mach Main Shaft 9
- Mach Spacer Sleeve 21
- Motor Manifold 25, 27, 29, 31
- O-Ring Boss & Flat Face O-Ring Torque Specifications 52
- Parts Order Form 56
- Parts Order Policy and Procedure 55
- Piston Motor 25, 27
- Procedures 49, 50
- Regen Block Sub-Assembly 5, 44, 45
- S0190219 O-Ring 23
- S0190225 O-Ring 41
- S0190228 O-Ring 39
- S0190250 O-Ring 23
- S0190357 O-Ring 7, 9
- Seal Kit 6300622 45
- Seal Kit 6300624 45
- Seal Kit SK00023 45
- Seal Kit SK00024 45
- Seal Kit SK00189 45
- Table of Contents 3
- Thread Treatment Diagram 48
- Torque Arm Kit 43
- Warranty 54
- Wldt Pin 21
- Wtmg Lug Upper Head 5, 21



**GENESIS®**

The Promise of Performance.

## CONTACT INFORMATION

### Genesis Attachments

1000 Genesis Drive  
Superior, WI 54880 USA

Toll Free: 888-SHEAR-IT  
(888-743-2748)

Phone: 715.395.5252  
Fax: 715.395.5255

E-mail:  
info@genesisattachments.com

### Europe/Africa/Middle East Genesis GmbH

Teramostrasse 23  
87700 Memmingen, Germany

Phone: +49 83 31 9 25 98 0  
Fax: +49 83 31 9 25 98 80  
genesis-europe.com

E-mail:  
info@genesis-europe.com

### Asia Pacific Representative Office

24 Upper Serangoon View #12-28  
Singapore 534205

Phone: +65 9673 9730

E-mail:  
tchoo@genesisattachments.com

### Central America & Colombia

Cra 13A #89-38 / Ofi 613  
Bogota, Colombia

Phone: +57 1 610 8160 / 795 8747

E-mail:  
contact@themsagroup.com

View and download all manuals: [genesisattachments.com/manuals](http://genesisattachments.com/manuals)  
Patents: [genesisattachments.com/products/patents](http://genesisattachments.com/products/patents)

Rev. R - 10-17-24