



# GXT 1555R Mobile Shear

## PARTS MANUAL



## CONTACT INFORMATION

### Genesis Attachments

1000 Genesis Drive  
Superior, WI 54880 USA

Toll Free: 888-SHEAR-IT  
(888-743-2748)

Phone: 715.395.5252

E-mail:  
info@genesisattachments.com

### Europe/Africa/Middle East Genesis GmbH

Teramostrasse 23  
87700 Memmingen, Germany

Phone: +49 83 31 9 25 98 0  
Fax: +49 83 31 9 25 98 80  
genesis-europe.com

E-mail:  
info@genesis-europe.com

### Asia Pacific Representative Office

24 Upper Serangoon View #12-28  
Singapore 534205

Phone: +65 9673 9730

E-mail:  
tchoo@genesisattachments.com

### Central America & Colombia

Cra 13A #89-38 / Ofi 613  
Bogota, Colombia

Phone: +57 1 610 8160 / 795 8747

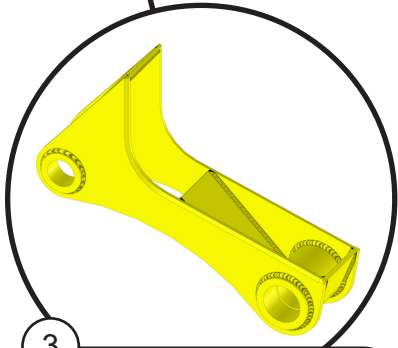
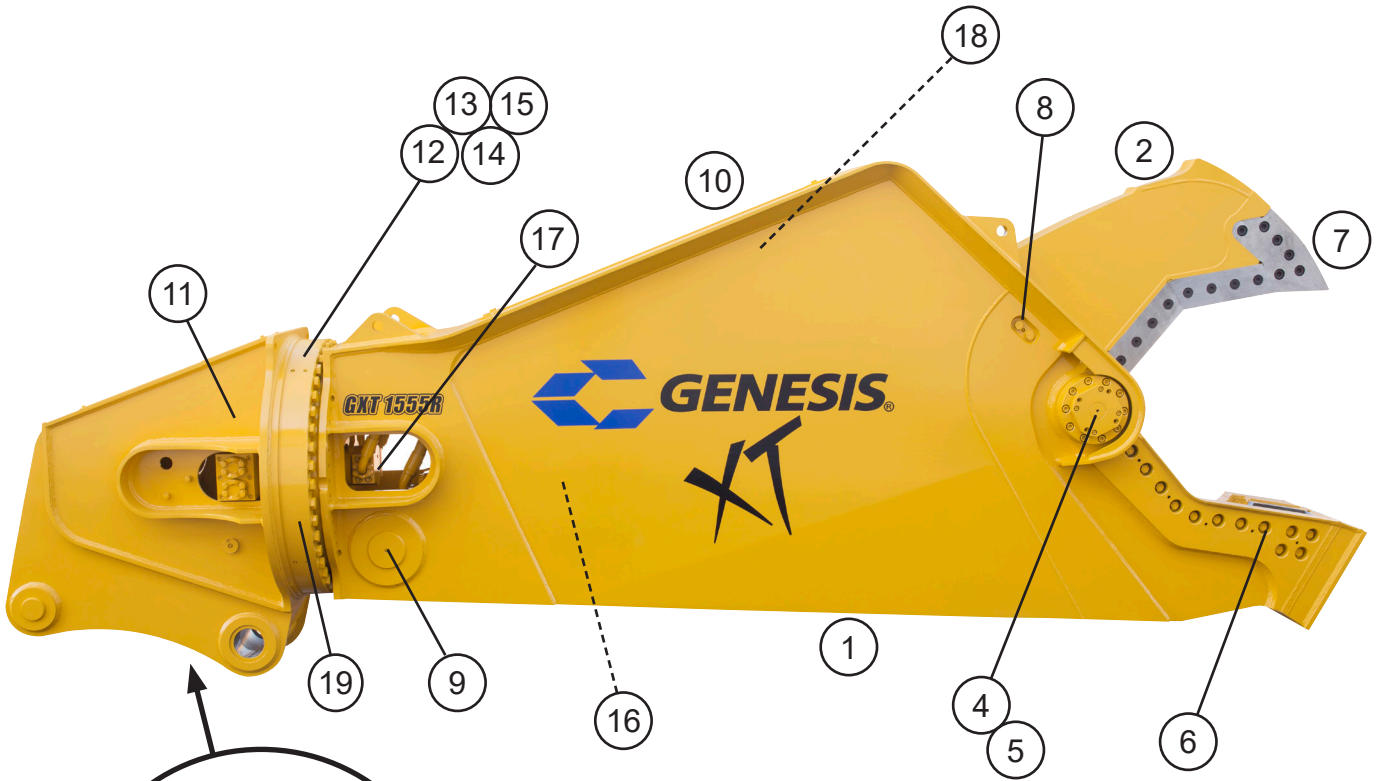
E-mail:  
contact@themsagroup.com

View and download all manuals: [genesisattachments.com/manuals](http://genesisattachments.com/manuals)  
Patents: [genesisattachments.com/products/patents](http://genesisattachments.com/products/patents)

# TABLE OF CONTENTS

<b>CONTACT INFORMATION</b>	<b>2</b>
<b>GENERAL ARRANGEMENT</b>	<b>4</b>
<b>ASSEMBLY PIVOT GROUP - RIGHT SIDE</b>	<b>6</b>
<b>ASSEMBLY PIVOT GROUP - LEFT SIDE</b>	<b>8</b>
<b>ASSEMBLY LOWER BLADES</b>	<b>10</b>
<b>ASSEMBLY UPPER BLADES</b>	<b>12</b>
<b>ASSEMBLY AUTO GUIDE</b>	<b>14</b>
<b>ASSEMBLY CYLINDER PINS</b>	<b>16</b>
<b>ASSEMBLY ACCESS COVERS</b>	<b>18</b>
<b>ASSEMBLY UPPER HEAD</b>	<b>20</b>
<b>ASSEMBLY ROTATION PISTON MOTOR</b>	<b>22</b>
<b>ASSEMBLY ROTATION CIRCUIT - PISTON MOTOR</b>	<b>24</b>
<b>SUB-ASSEMBLY ROTATE CROSS-OVER / C'BAL</b>	<b>26</b>
<b>SUB-ASSEMBLY LINE MOUNT MANIFOLD</b>	<b>28</b>
<b>ASSEMBLY OPEN AND CLOSE CIRCUIT - 6350086</b>	<b>30</b>
<b>ASSEMBLY OPEN AND CLOSE CIRCUIT - 6350094</b>	<b>32</b>
<b>ASSEMBLY SWIVEL MANIFOLD</b>	<b>34</b>
<b>REGEN BLOCK SUB-ASSEMBLY - 6360021</b>	<b>36</b>
<b>REGEN BLOCK SUB-ASSEMBLY - 6360024</b>	<b>38</b>
<b>ASSEMBLY SLEWING RING LUBRICATION</b>	<b>40</b>
<b>BOLT TORQUE SPECIFICATIONS</b>	<b>42</b>
<b>THREAD TREATMENT DIAGRAM</b>	<b>43</b>
Mobile Shears	43
<b>PROCEDURES</b>	<b>44</b>
Cleaning	44
Threadlocker	44
Anti-Seize	45
No Thread Treatment	45
<b>BOLT TORQUE SPECIFICATIONS</b>	<b>46</b>
Dry Torque Values	46
Wet Torque Values	46
<b>O-RING BOSS &amp; FLAT FACE O-RING TORQUE SPECIFICATIONS</b>	<b>47</b>
<b>BOLT DRIVE SPECIFICATIONS</b>	<b>48</b>
<b>WARRANTY</b>	<b>49</b>
Claim Procedure	49
Blade Warranty	49
<b>PARTS ORDER POLICY AND PROCEDURE</b>	<b>50</b>
Parts Orders Should Include	50
Placing Orders	50
Part Numbers	50
Shipping	50
Invoices	50
Returns	50
Warranty Returns	50
<b>PARTS ORDER FORM</b>	<b>51</b>
<b>INDEX</b>	<b>52</b>
<b>CONTACT INFORMATION</b>	<b>54</b>

# GENERAL ARRANGEMENT



**3**  
**Wtmg Lug Upper Head**  
 Part Number is Serial Number specific.  
 For replacement parts call the Genesis  
 Parts Department.  
**USA**                      **Europe**  
 715-395-5614    +49 83 31 9 25 98 0  
 715-395-3405



**Serial Number Location**  
 Facing the left side of shear,  
 lower right corner.

## GENERAL ARRANGEMENT

ITEM	QTY	PART NUMBER	DESCRIPTION
1	1	*	Wtmg Stick
2	1	*	Wtmg Upper
3		*	Wtmg Lug Upper Head
4		See page 6	Assembly Pivot Group - Right Side
5		See page 8	Assembly Pivot Group - Left Side
6		See page 10	Assembly Lower Blades
7		See page 12	Assembly Upper Blades
8		See page 14	Assembly Auto Guide
9		See page 16	Assembly Cylinder Pins
10		See page 18	Assembly Access Covers
11		See page 20	Assembly Upper Head
12		See page 22	Assembly Rotation Piston Motor
13		See page 24	Assembly Rotation Circuit - Piston Motor
14		See page 26	Sub-Assembly Rotate Cross-over / C'bal
15		See page 28	Sub-Assembly Line Mount Manifold
16		See page 30 & page 32	Assembly Open and Close Circuit
17		See page 34	Assembly Swivel Manifold
18		See page 36 & page 38	Sub-Assembly Regen Block
19		See page 40	Assembly Slewing Ring Lubrication

\* Part numbers are Serial Number specific. For replacement parts call the Genesis Parts Department.

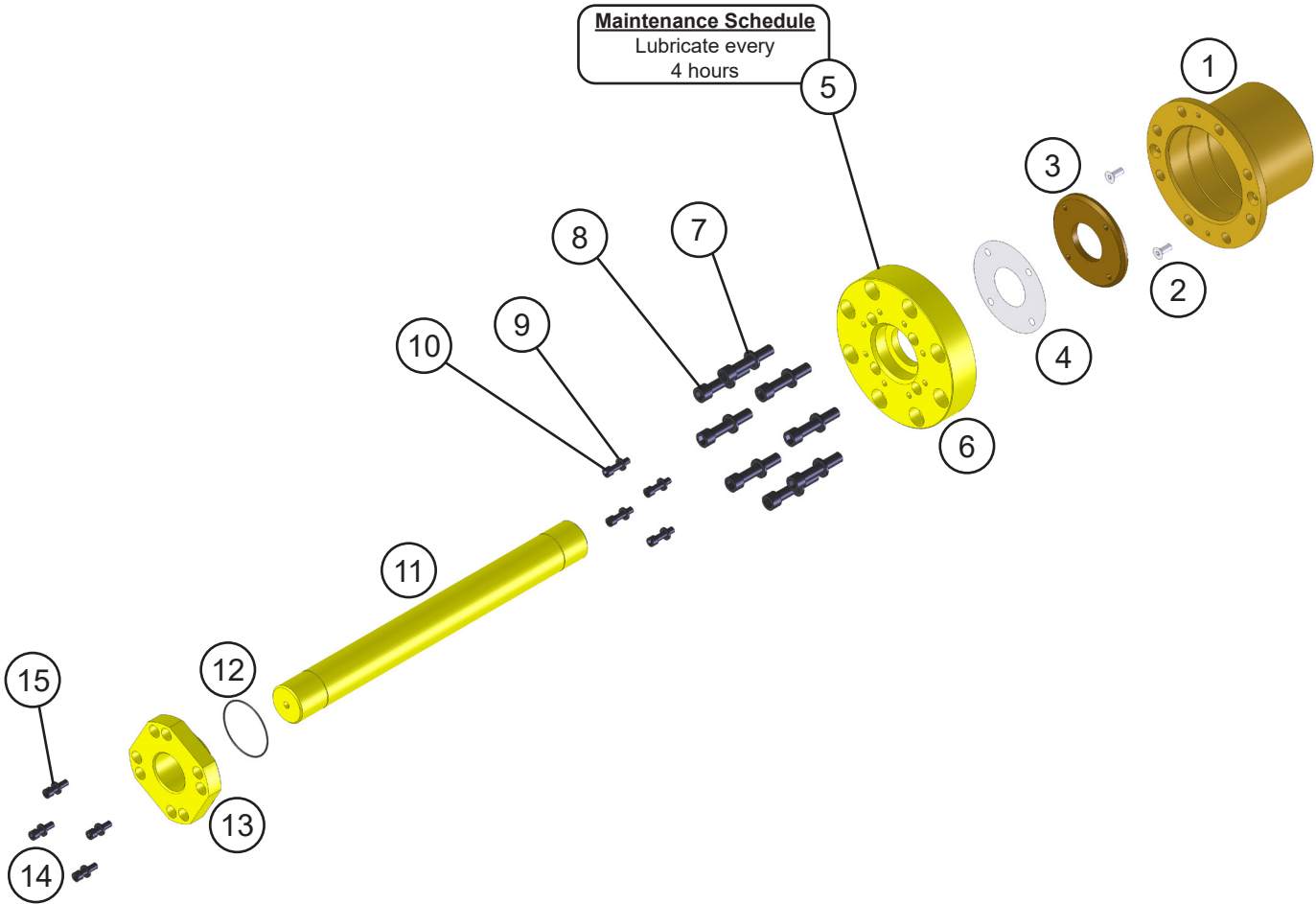
**USA**

715-395-3488

**Europe**

+49 83 31 9 25 98 0

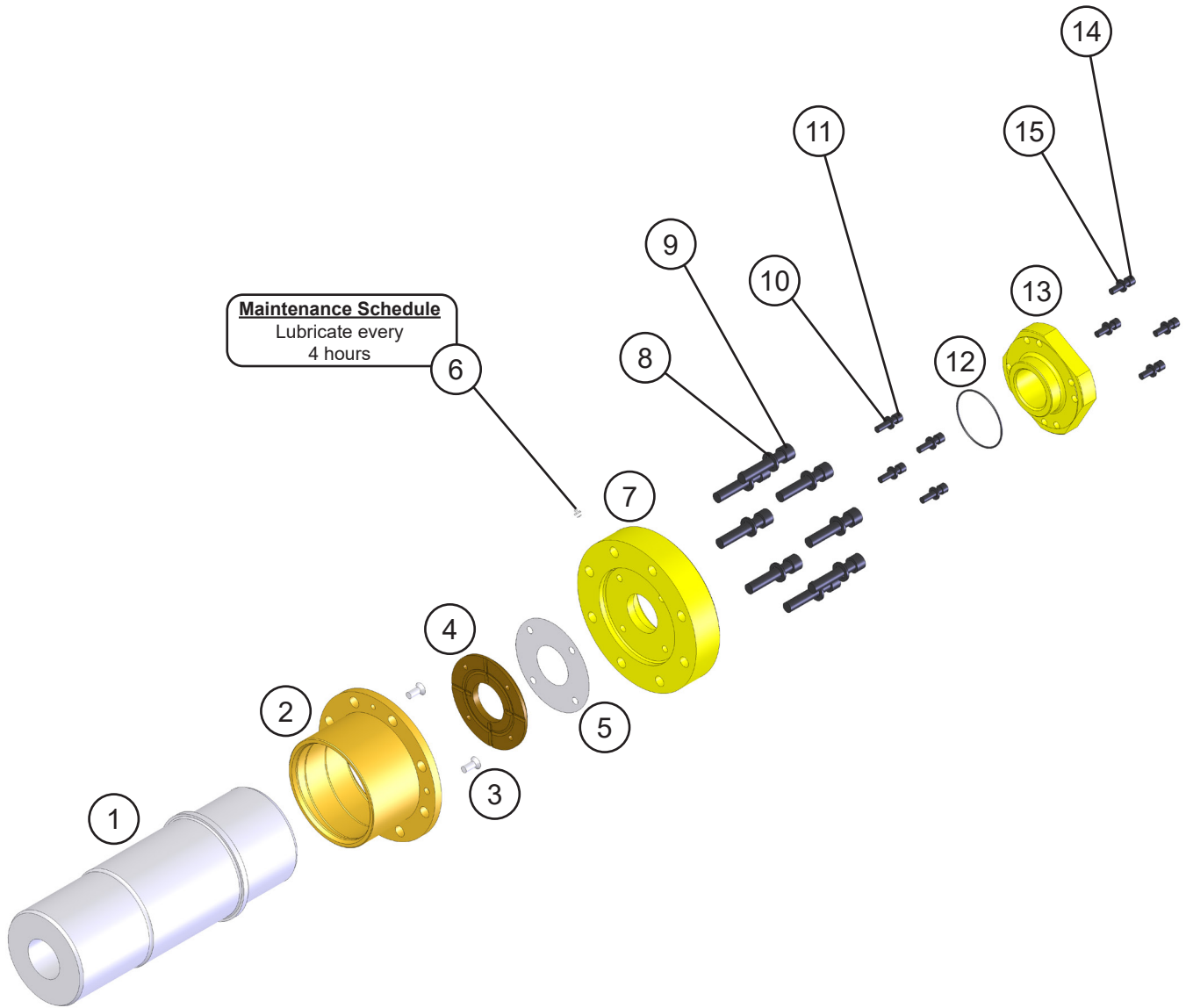
# ASSEMBLY PIVOT GROUP - RIGHT SIDE



## ASSEMBLY PIVOT GROUP - RIGHT SIDE

ITEM	QTY	PART NUMBER	DESCRIPTION
1	1	1104799	Mach Bearing
2	2	F0412030	Flat Head Capscrew M12 x 1.75 x 30
3	1	1101646	Mach Thrust Washer
4	1	1101649	Shim Set Thrust Washer
5	1	6200002	Grease Fitting
6	1	1106667	Mach End Cap
7	10	F1202037	Flat Washer M20
8	10	F0620090	Socket Head Capscrew M20 x 2.50 x 90
9	4	F1201021	Flat Washer M10
10	4	F0610035	Socket Head Capscrew M10 x 1.50 x 35
11	1	1106772	Mach Tie Rod
12	1	S0190350	O-Ring
13	1	1106669	Mach Tie Rod Nut
14	4	F0612040	Socket Head Capscrew M12 x 1.75 x 40
15	4	F1201224	Flat Washer M12

# ASSEMBLY PIVOT GROUP - LEFT SIDE





## ASSEMBLY PIVOT GROUP - LEFT SIDE

ITEM	QTY	PART NUMBER	DESCRIPTION
1	1	*	Mach Main Shaft
2	1	1104799	Mach Bearing
3	2	F0412030	Flat Head Capscrew M12 x 1.75 x 30
4	1	1101646	Mach Thrust Washer
5	1	1101649	Shim Set Thrust Washer
6	1	6200002	Grease Fitting
7	1	1106667	Mach End Cap
8	10	F1202037	Flat Washer M20
9	10	F0620090	Socket Head Capscrew M20 x 2.50 x 90
10	4	F1201021	Flat Washer M10
11	4	F0610035	Socket Head Capscrew M10 x 1.50 x 35
12	1	S0190350	O-Ring
13	1	1106669	Mach Tie Rod Nut
14	4	F0612040	Socket Head Capscrew M12 X 1.75 X 40
15	4	F1201224	Flat Washer M12

\* Part number is Serial Number specific. For replacement parts call the Genesis Parts Department.

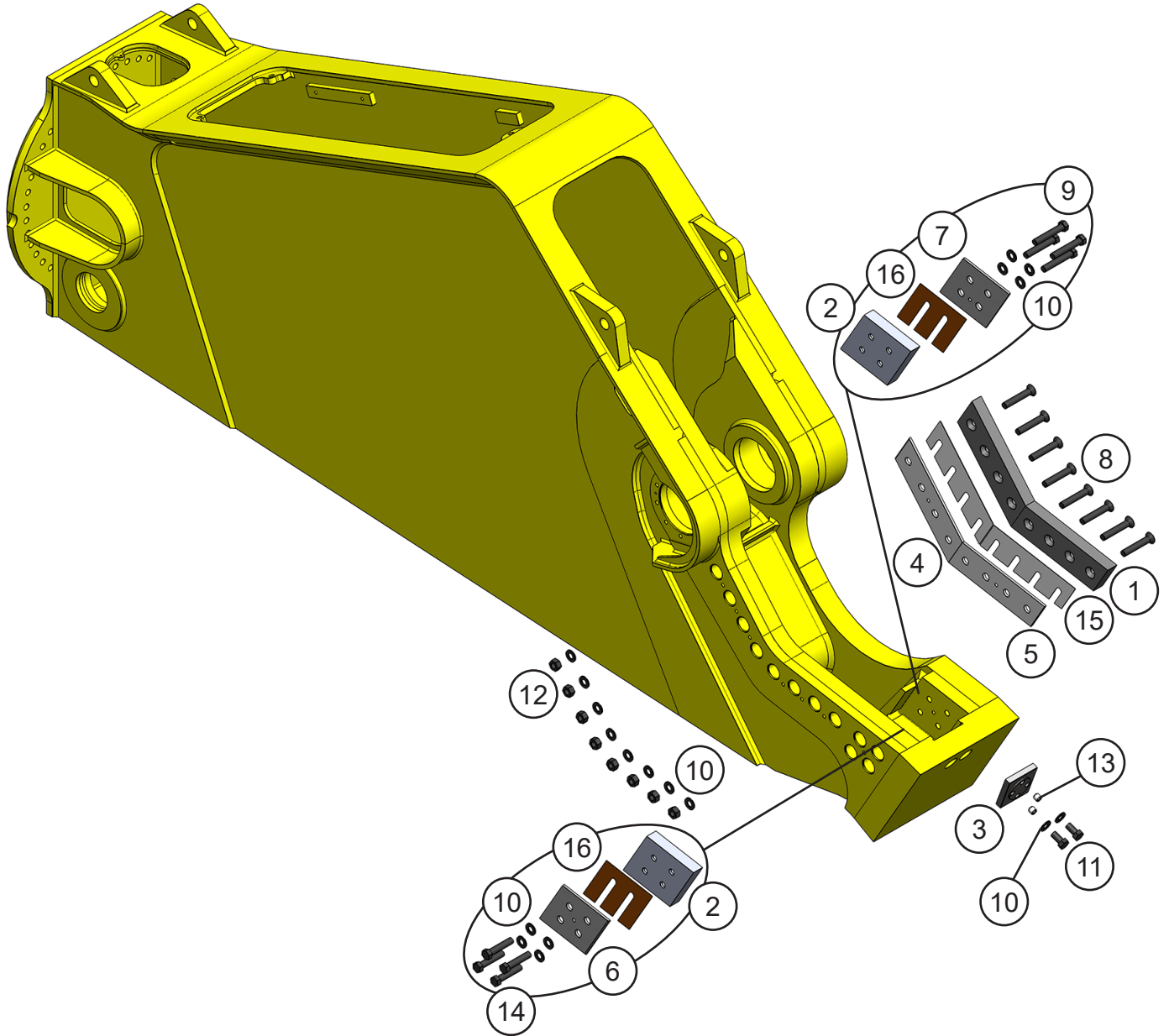
**USA**

715-395-3488

**Europe**

+49 83 31 9 25 98 0

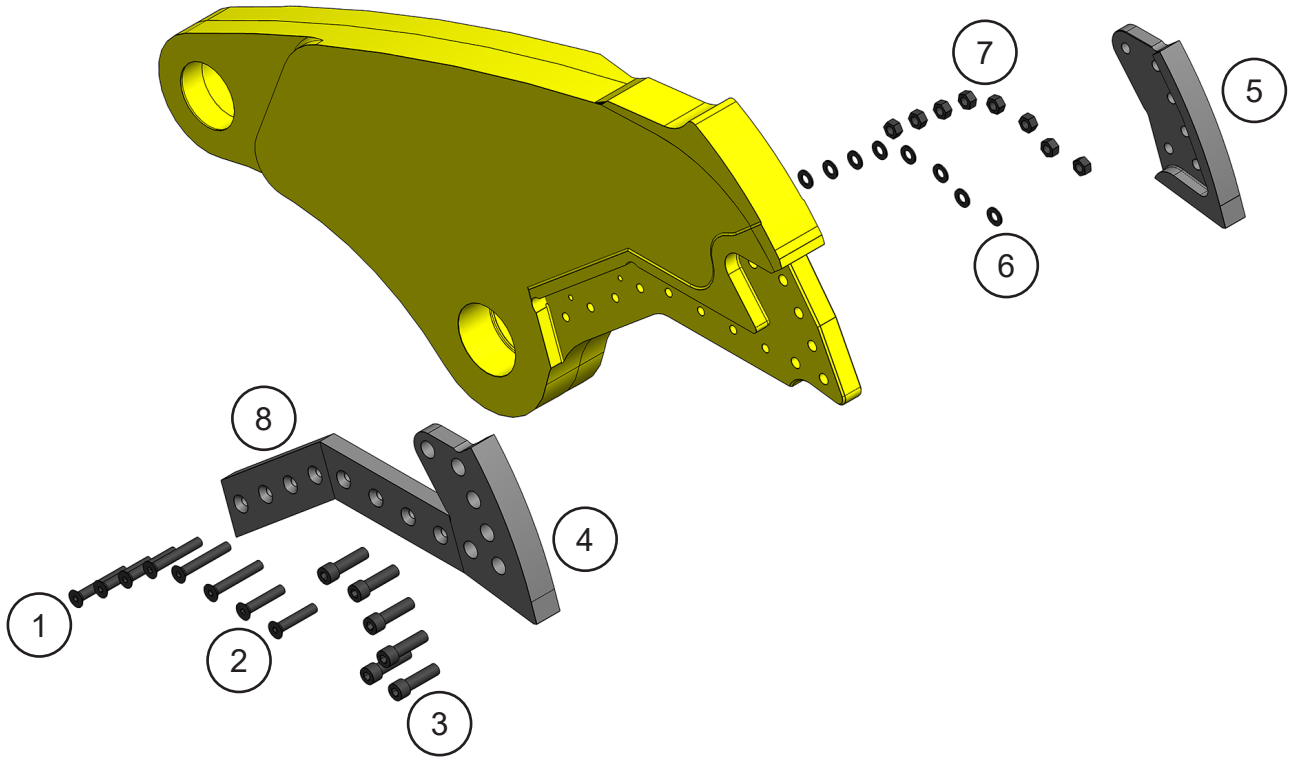
# ASSEMBLY LOWER BLADES



## ASSEMBLY LOWER BLADES

ITEM	QTY	PART NUMBER	DESCRIPTION
1	2	1107953	Mach Blade
2	2	1105609	Mach Blade Guide
3	1	1101957	Mach Blade Razor
4	1	1107949	Mach Adj Plate Primary
5	1	1107951	Mach Adj Plate Secondary
6	1	1105610	Mach Adj Plate Guide Blade
7	1	1105611	Mach Adj Plate Guide Blade
8	8	F0510600	Flat Head Capscrew 1-8x6
9	4	F0210600	Hex Head Capscrew 1-8x6
10	18	F1300100	Flat Washer Narrow 1"
11	2	F0210200	Hex Head Capscrew 1-8x2
12	8	F0910008	Hex Nut 1-8
13	2	F2510100	Set Screw Socket Head 1-8x1
14	4	F0210500	Hex Head Capscrew 1-8x5
15		1107946	Shim Set Blade
16		1105614	Shim Set Guide Blade

# ASSEMBLY UPPER BLADES

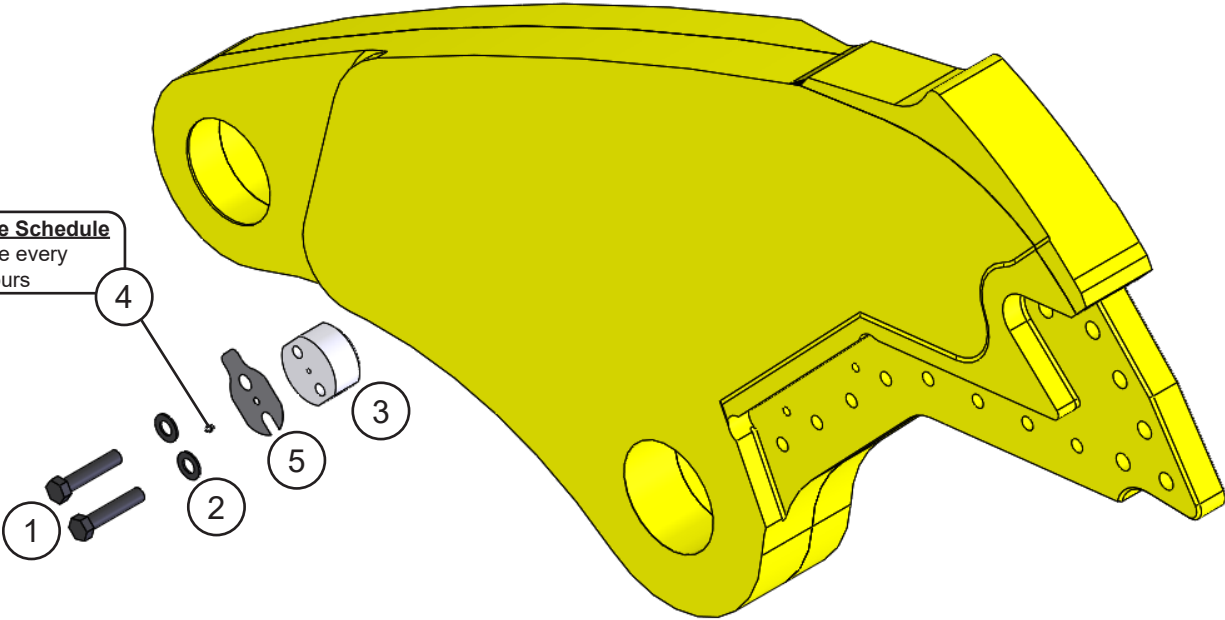


## ASSEMBLY UPPER BLADES

ITEM	QTY	PART NUMBER	DESCRIPTION
1	6	F0510700	Flat Head Capscrew 1 - 8 x 7
2	2	F0510550	Flat Head Capscrew 1 - 8 x 5½
3	6	1102857	Mach Bolt Socket Head Capscrew 1¼ - 7 x 4½ Custom
4	1	1106783	Mach Blade Tip Right
5	1	1106782	Mach Blade Tip Left
6	8	F1300100	Flat Washer Narrow 1 - 8
7	8	F0910008	Hex Nut 1 - 8
8	2	1107953	Mach Blade

# ASSEMBLY AUTO GUIDE

**Maintenance Schedule**  
Lubricate every  
4 hours



# ASSEMBLY AUTO GUIDE

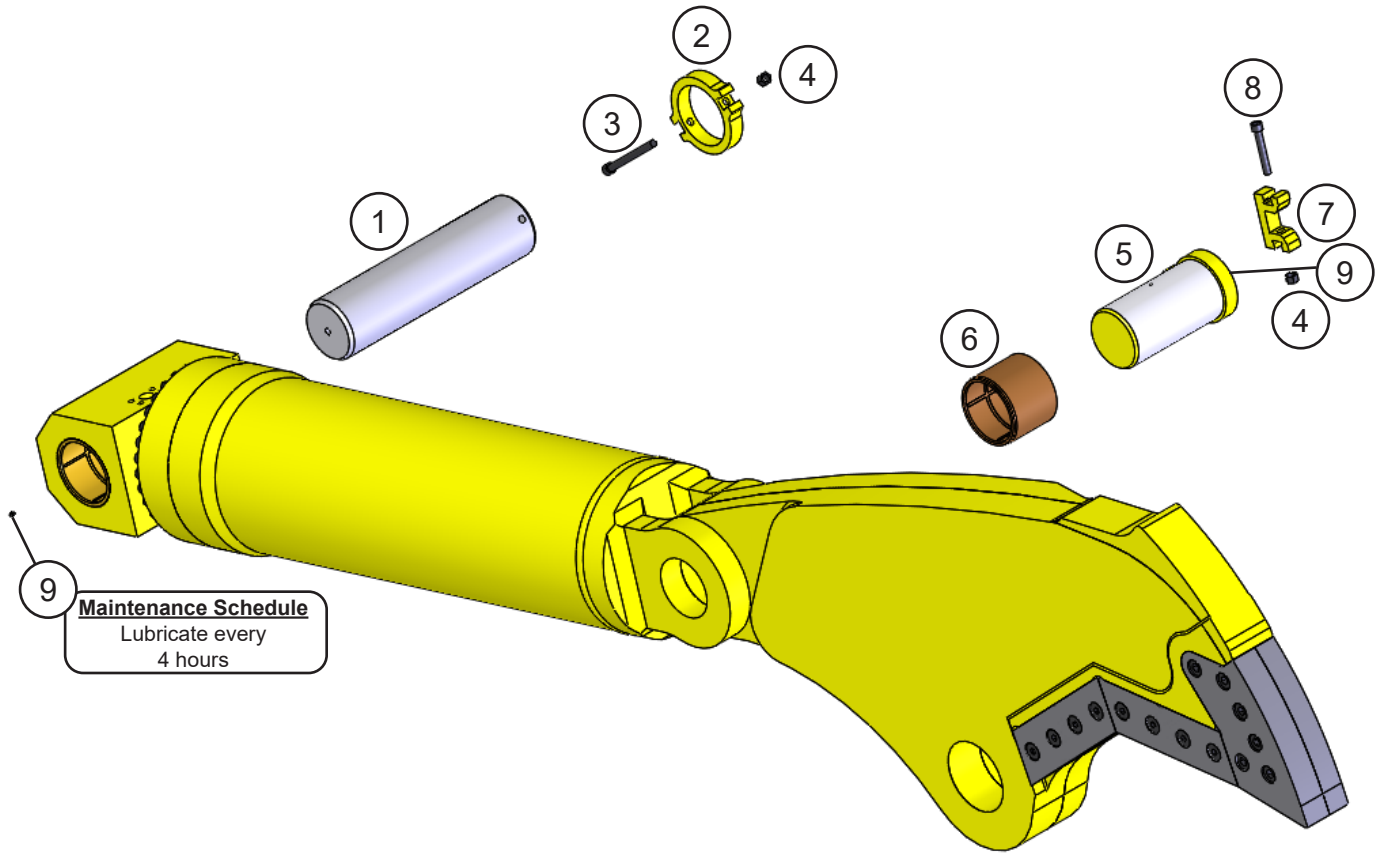
ITEM	QTY	PART NUMBER	DESCRIPTION
1	2	F0210500	Hex Head Capscrew 1 - 8 x 5
2	2	F1300100	Flat Washer Narrow 1 - 8
3	1	*	Mach Auto Guide
4	1	6200002	Grease Fitting
5		1106478	Shim Set, Auto Guide

\* Part number is Serial Number specific. For replacement parts call the Genesis Parts Department.

**USA**  
715-395-3488

**Europe**  
+49 83 31 9 25 98 0

# ASSEMBLY CYLINDER PINS



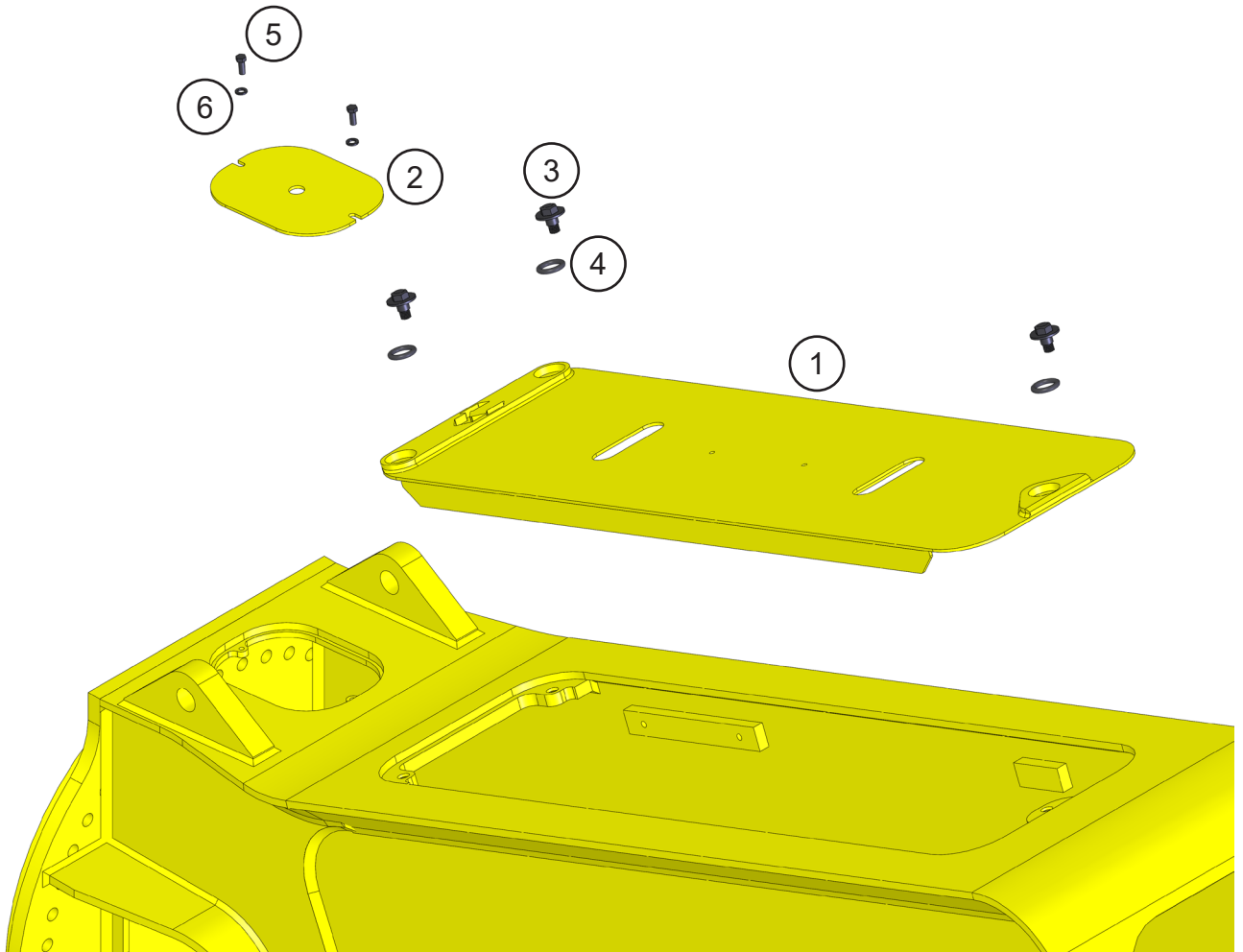
**Maintenance Schedule**  
Lubricate every  
4 hours



## ASSEMBLY CYLINDER PINS

ITEM	QTY	PART NUMBER	DESCRIPTION
1	1	1106764	Mach Rear Cyl Pin
2	1	1106765	Mach Pin Keeper Rear
3	1	F0620230	Socket Head Capscrew M20 x 2.50 x 230
4	2	F1020250	Nylock Hex Nut M20 x 2.50
5	1	1106769	Wldt Front Cyl Pin
6	1	1106767	Mach Bearing Upper Cylinder Connection
7	1	1102487	Mach Pin Keeper (Clevis)
8	1	F0620130	Socket Head Capscrew M20 x 2.50 x 130
9	2	6200002	Grease Fitting

# ASSEMBLY ACCESS COVERS



## ASSEMBLY ACCESS COVERS

ITEM	QTY	PART NUMBER	DESCRIPTION
1	1	1107516	Wldt Cover
2	1	1107838	Plt Rear Cover
3	3	1105854	Mach Flange Shoulder Bolt
4	3	6301112	O-Ring
5	2	F0112030	Hex Head Capscrew M12 x 1.75 x 30
6	2	F1201224	Flat Washer M12



## ASSEMBLY UPPER HEAD

ITEM	QTY	PART NUMBER	DESCRIPTION
1	1	5514301	Wtmg Sub Head
2	1	*	Wtmg Lug Upper Head
3	1	*	Wldt Pin
4	6	F0112030	Hex Head Capscrew M12 x 1.75 x 30
5	6	F1201224	Flat Washer M12
6	1	5500752	Plt Strap
7	2	5518785	Plt Bolt Cover
8	4	F0110030	Hex Head Capscrew M10 x 1.50 x 30
9	4	F1201021	Flat Washer M10
10	2	*	Mach Bearing
11	2	*	Mach Boom Bearing
12	2	*	Mach Spacer Sleeve
13	1	6200002	Grease Fitting
14	1	5518057	Plt Sub Head Cover

\* Part numbers are Serial Number specific. For replacement parts call the Genesis Parts Department.

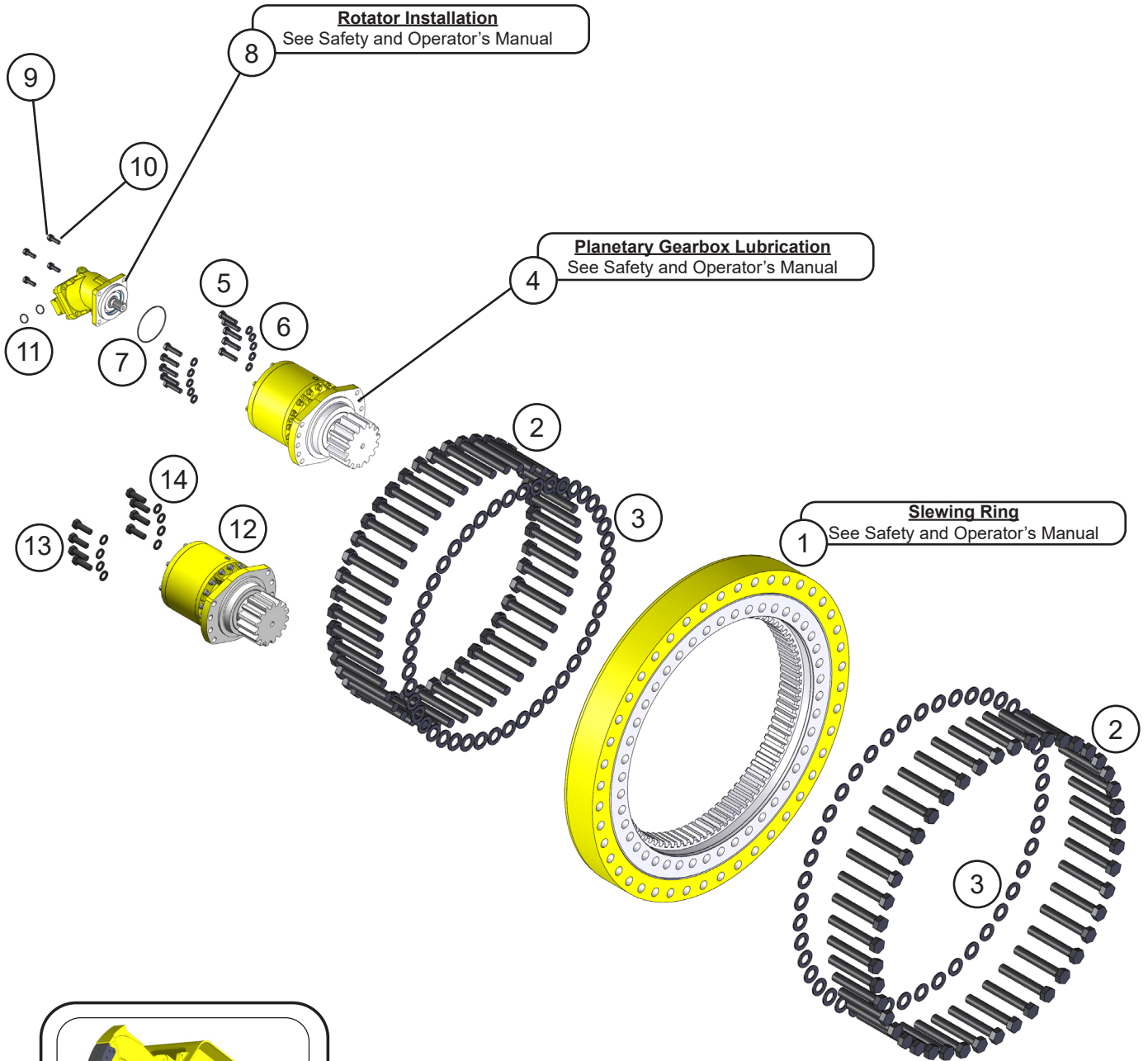
**USA**

715-395-3488

**Europe**

+49 83 31 9 25 98 0

# ASSEMBLY ROTATION PISTON MOTOR

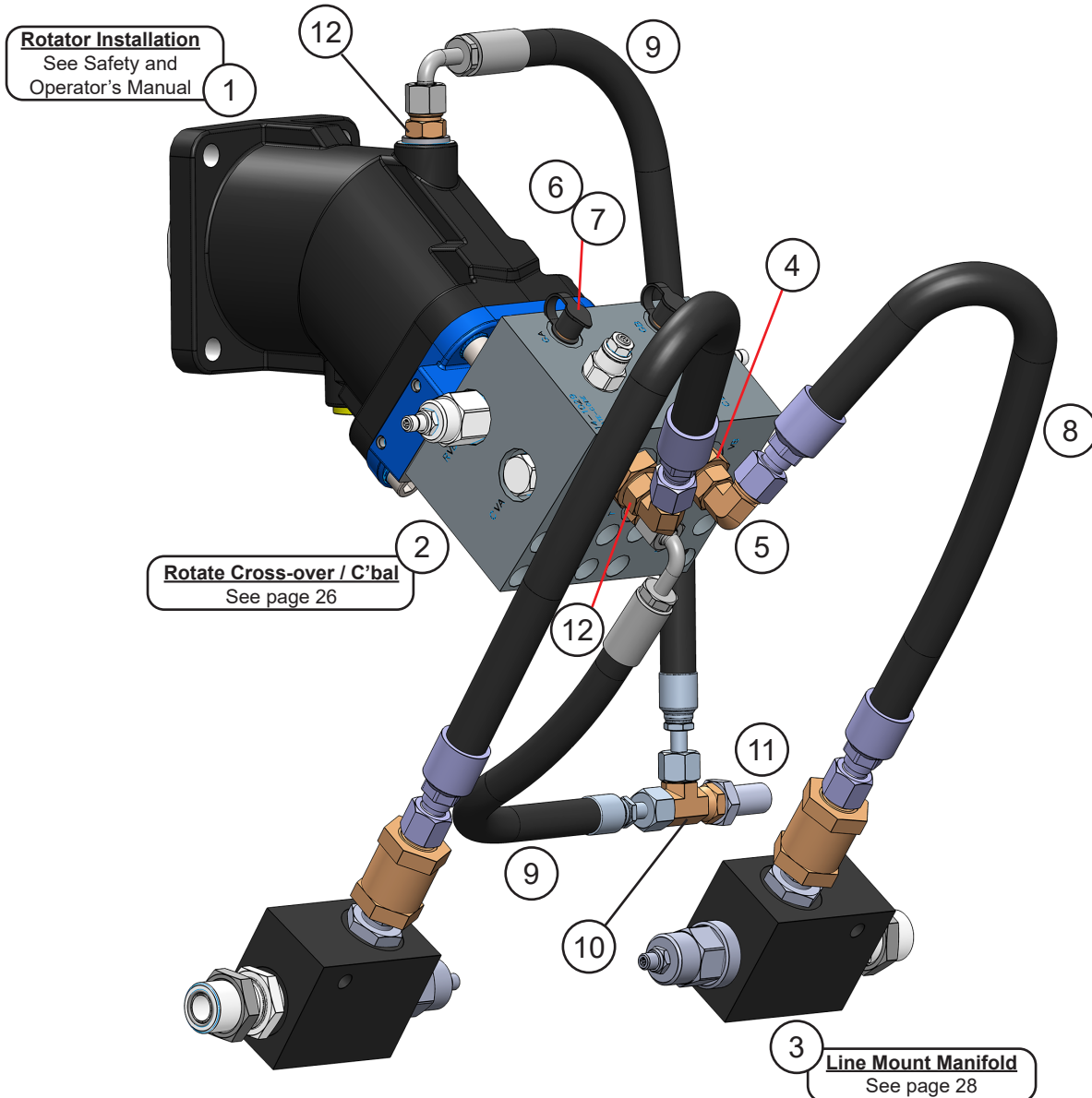


## ASSEMBLY ROTATION PISTON MOTOR

ITEM	QTY	PART NUMBER	DESCRIPTION
1	1	6301199	Bearing Slewing
2	88	F0213800	Hex Head Capscrew 1¼ - 7 x 8
3	88	F2803300	Hytorc Washer
4	1	6300446	Gear Box - 10 Bolt*
5	10	F0116060	Hex Head Capscrew M16 x 2.00 x 60
6	10	F1900063	Washer Nord-Lock ⅝ and M16 Steel
7	1	S0190250	O-Ring
8	1	6360025	Motor
9	4	F0250150	Hex Head Capscrew ½ - 13 x 1½
10	4	F1900050	Washer Nord-Lock ½ and M12 Steel
11	2	S0190219	O-Ring
12	1	6360027	Gear Box - 8 Bolt*
13	8	F0120060	Hex Head Capscrew M20 x 2.5 x 60
14	8	F1900075	Washer Nord-Lock ¾ and M20 Steel

\* Shear will have a 10-bolt gear box or an 8-bolt gear box.

# ASSEMBLY ROTATION CIRCUIT - PISTON MOTOR

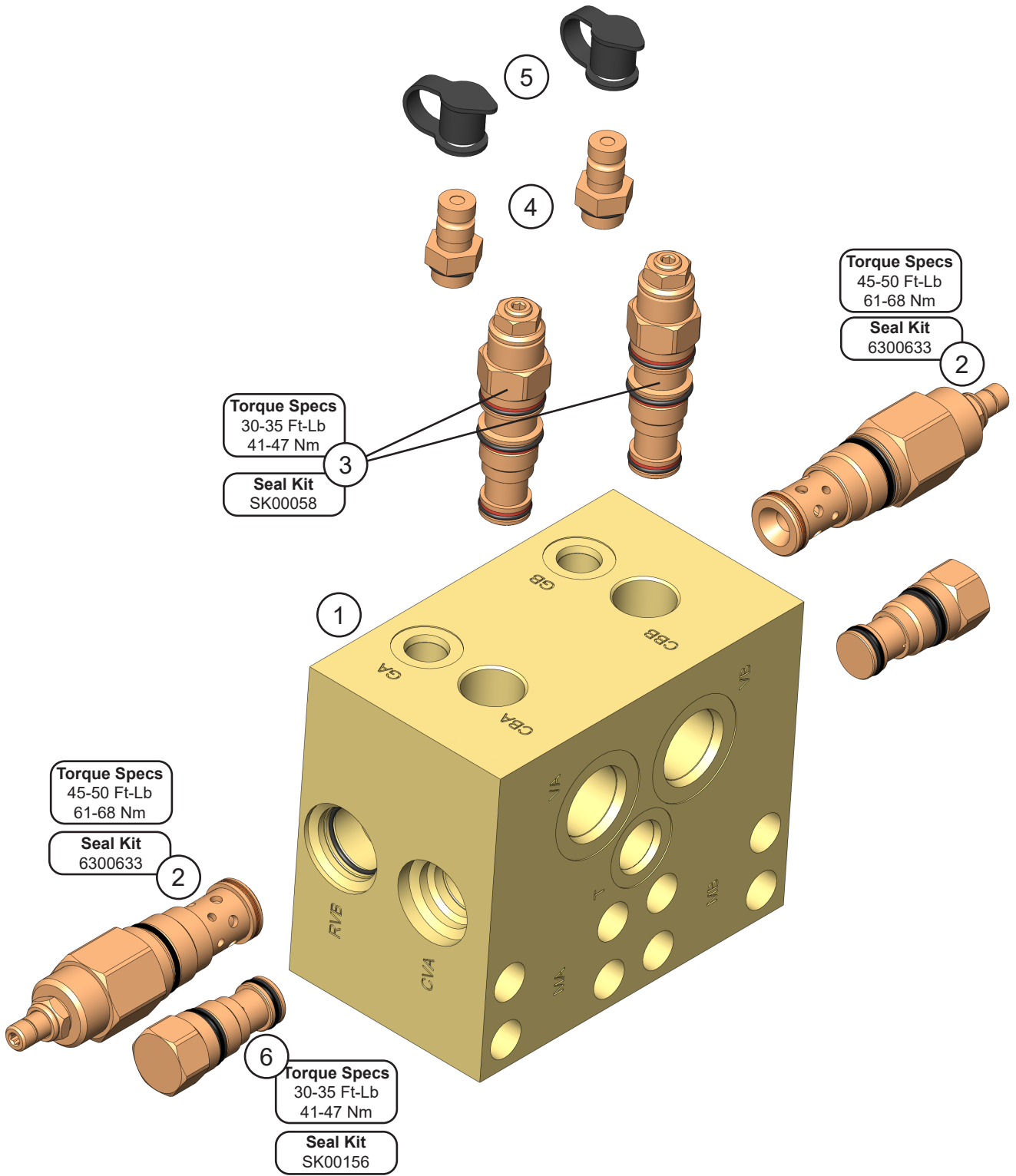




## ASSEMBLY ROTATION CIRCUIT - PISTON MOTOR

ITEM	QTY	PART NUMBER	DESCRIPTION
1	1	6360025	Motor
2	1	See page 26	Sub-Assembly Rotate Cross-over/C'bal
3	2	See page 28	Sub-Assembly Line Mount Manifold
4	2	6300512	Adaptor 12MB-08FB
5	2	6300303	Adaptor 08MB-08MO-90
6	2	6300014	Diagnostic Nipple 06MB
7	2	6310001	Diagnostic Nipple Dust Cap
8	2	1106466	Hose
9	2	1106465	Hose
10	1	6300407	Adaptor Run Tee 06FOX-06MO-06MO
11	1	6310149	Adaptor Bulkhead 06MO-06MO
12	1	6300148	Adaptor 06MO-08MB

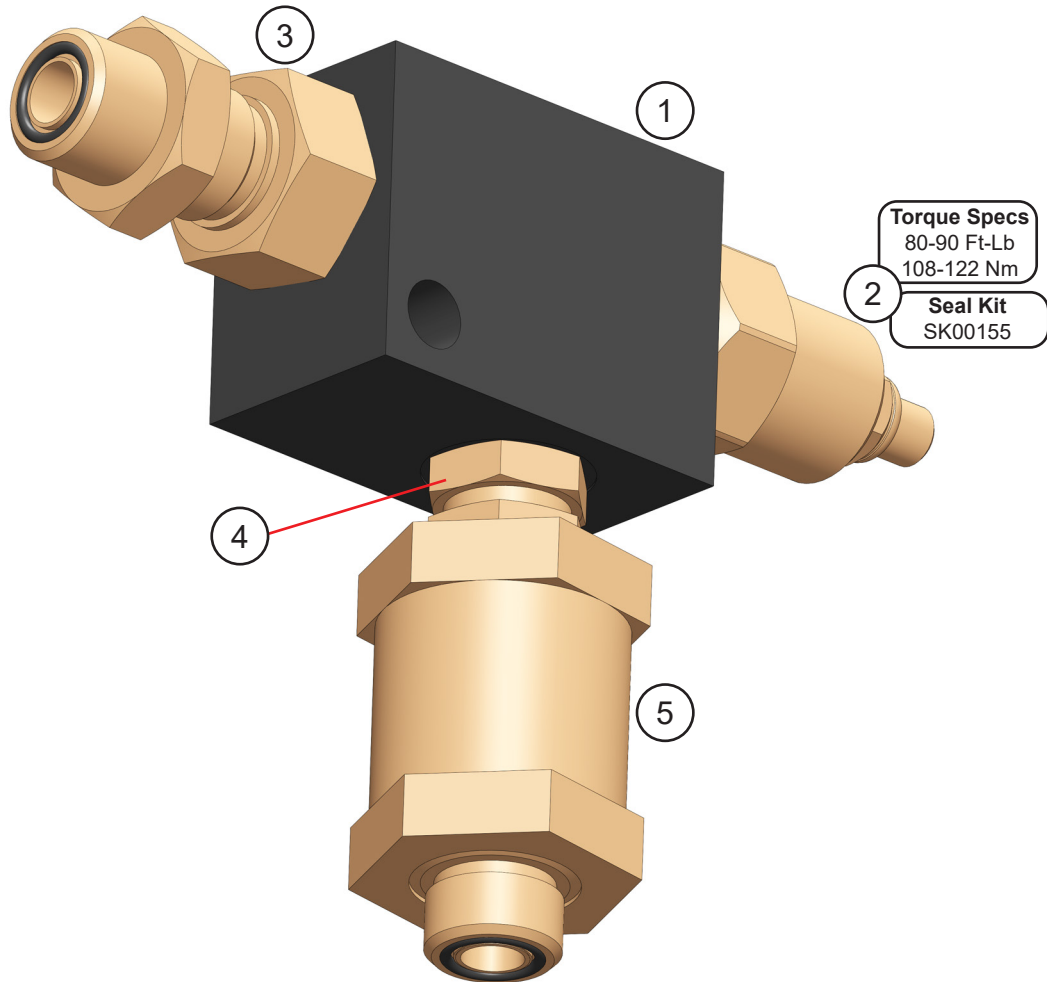
# SUB-ASSEMBLY ROTATE CROSS-OVER / C'BAL



## SUB-ASSEMBLY ROTATE CROSS-OVER / C'BAL

ITEM	QTY	PART NUMBER	DESCRIPTION
1	1	6360026	Valve Block
2	2	6360101	Valve Relief <span style="float: right;"><b>Seal Kit 6300633</b></span>
3	2	6360030	Valve Counterbalance <span style="float: right;"><b>Seal Kit SK00058</b></span>
4	2	6300014	Diagnostic Nipple 06MB
5	2	6310001	Diagnostic Nipple Dust Cap
6	2	6360088	Valve Check <span style="float: right;"><b>Seal Kit SK00156</b></span>

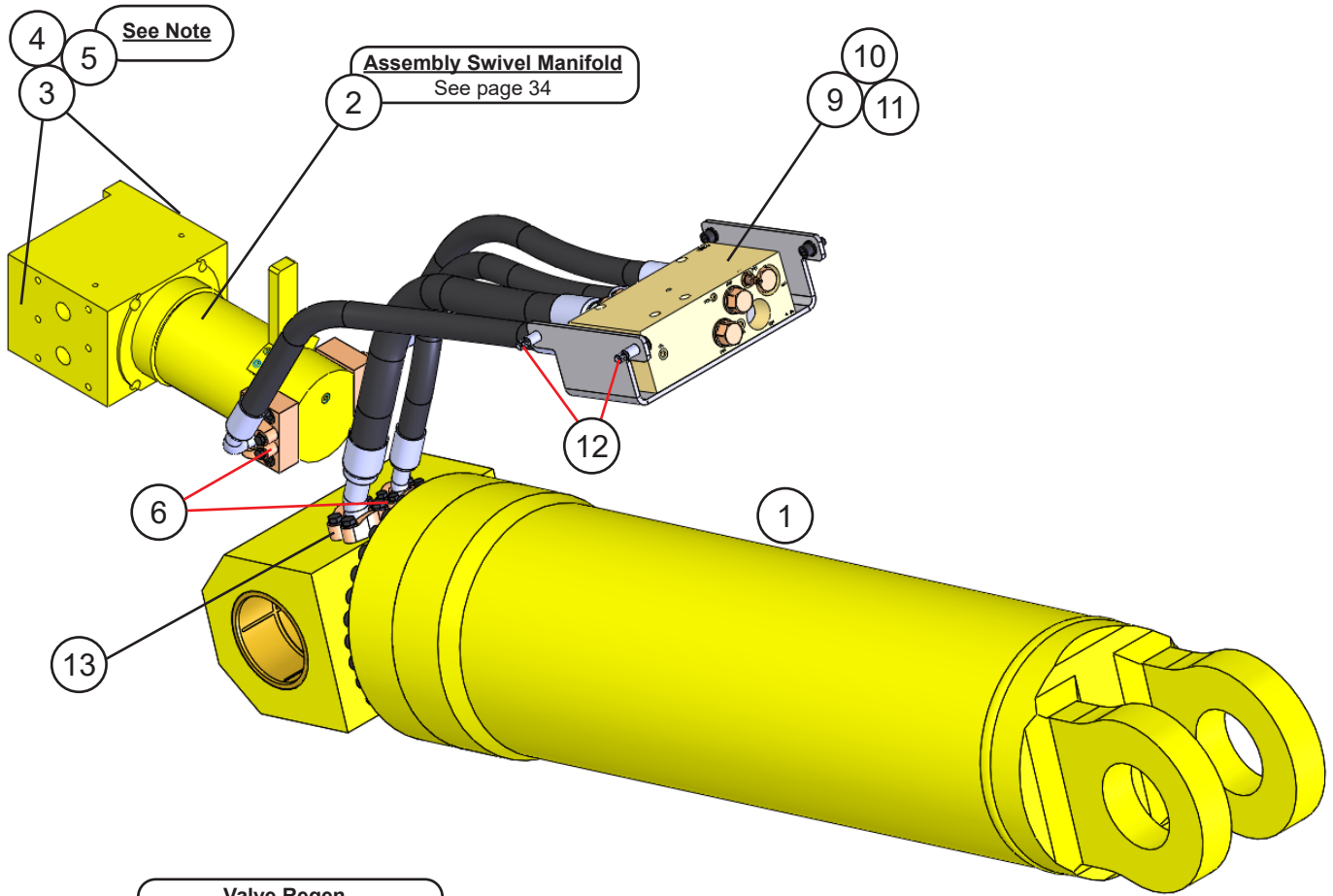
# SUB-ASSEMBLY LINE MOUNT MANIFOLD



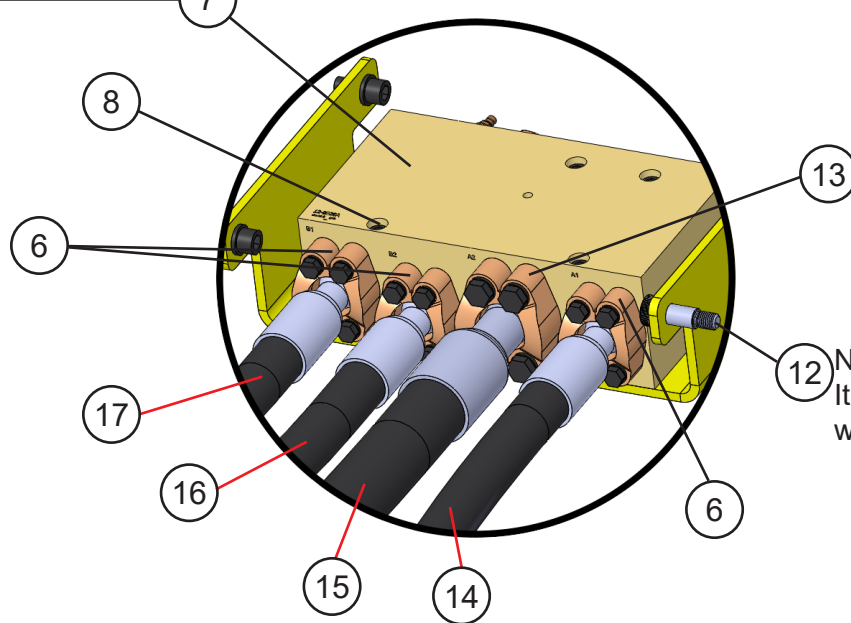
## SUB-ASSEMBLY LINE MOUNT MANIFOLD

ITEM	QTY	PART NUMBER	DESCRIPTION
1	1	6300719	Valve Line Body
2	1	6300720	Valve Flow Control
3	1	6310186	Adaptor Bulkhead 12MB-12MO
4	1	6310194	Adaptor 08MB-12MB
5	1	6300364	Filter
	1	6300582	Plug Pipe 04MP ¼ - 18 NPT

# ASSEMBLY OPEN AND CLOSE CIRCUIT - 6350086



**Valve Regen**  
See page 36 & page 38



Note:  
Item 12 is tied together  
with 0.032" lock wire.

## ASSEMBLY OPEN AND CLOSE CIRCUIT - 6350086

ITEM	QTY	PART NUMBER	DESCRIPTION
1	1	*	Assembly Cylinder B16.0 R10.0 S53.00
2	1	See page 34	Assembly Swivel Manifold
3	2	**	Mach Port Block
4	12	**	Socket Head Capscrew
5	4	**	O-Ring
6	10	<b>1-1/4" Split Flange Kit</b>	
	2	H0262125	Split Flange Half 1.25 Code 62
	4	F0112050	Hex Head Capscrew M12 x 1.75 x 50
	4	F1401200	Lock Washer M12
	1	S0190222	O-Ring
7	1	See page 36 & page 38	Valve Regen
8	4	F0612120	Socket Head Capscrew M12 x 1.75 x 120
9	1	1106677	Mach Plt Frmd Valve Tray
10	2	F0616035	Socket Head Capscrew M16 x 2 x 35
11	2	F1201630	Flat Washer M16
12	2	F3616040	Socket Head Shoulder Screw M16 x 2 x 40
13	2	<b>1-1/2" Split Flange Kit</b>	
	2	H0262150	Split Flange Half 1.50 Code 62
	4	F0116060	Hex Head Capscrew M16 x 2.00 x 60
	4	F1401628	Lock Washer M16
	1	S0190225	O-Ring
14	1	1107018	Hose
15	1	1107020	Hose
16	1	1107019	Hose
17	1	1107017	Hose

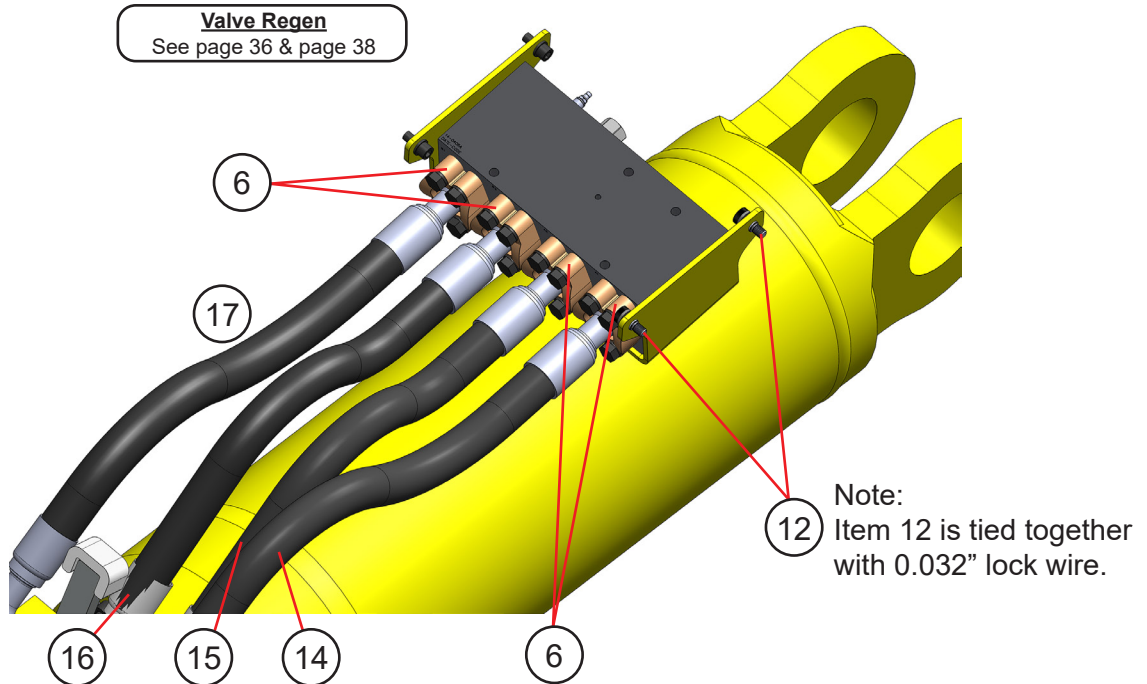
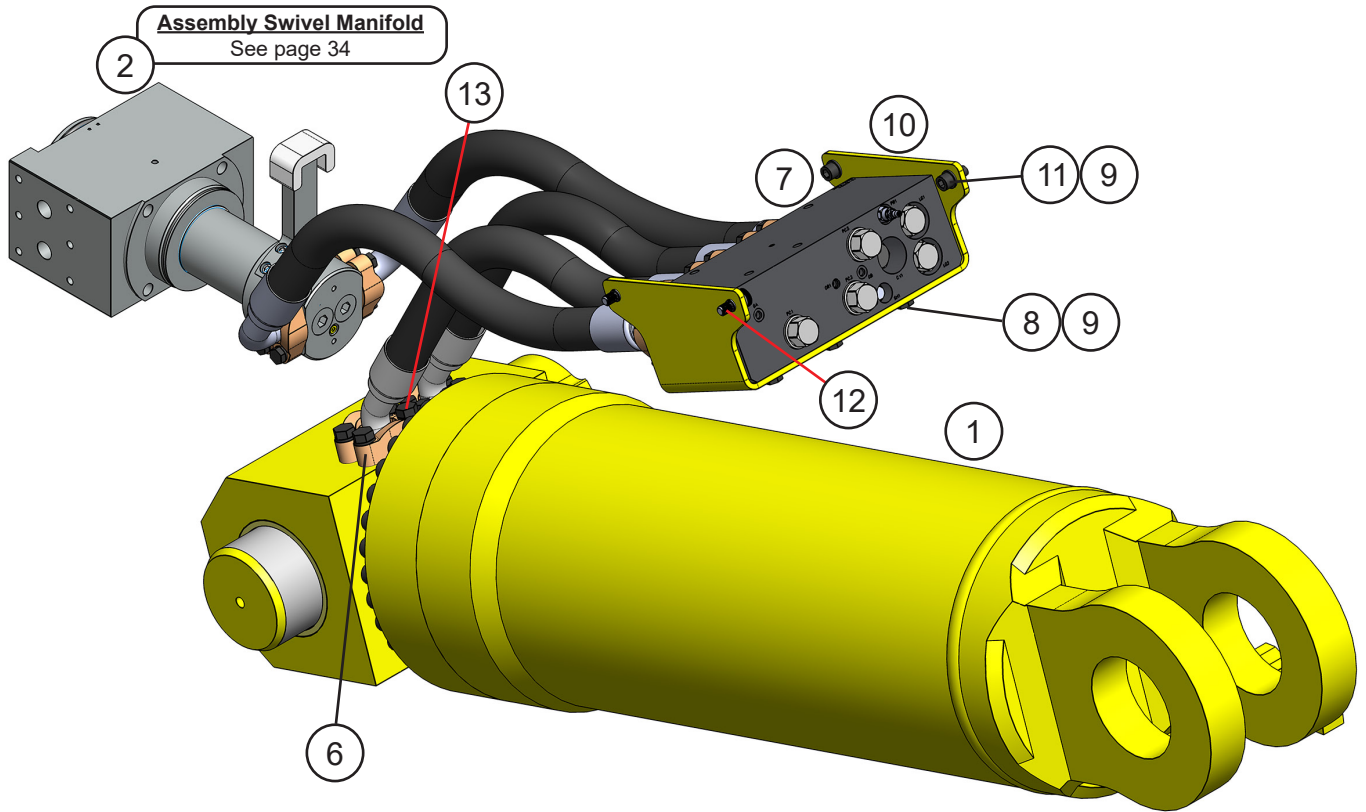
\* Your GXT 1555 mobile shear will contain one of two cylinders, Part number 6350086 or 6350094. If your cylinder has one 1 1/4" port and one 1 1/2" port, the shear contains cylinder 6350086. If your cylinder has one 1 1/2" port and one 2" port, the shear contains cylinder 6350094.

\*\* Part numbers are Serial Number specific. For replacement parts call the Genesis Parts Department.

**USA**  
715-395-3488

**Europe**  
+49 83 31 9 25 98 0

# ASSEMBLY OPEN AND CLOSE CIRCUIT - 6350094





## ASSEMBLY OPEN AND CLOSE CIRCUIT - 6350094

ITEM	QTY	PART NUMBER	DESCRIPTION
1	1	*	Assembly Cylinder B16.0 R10.0 S53
2	1	See page 34	Assembly Swivel Manifold
3	2	**	Mach Port Block (Not Shown)
4	12	**	Socket Head Capscrew M16 x 2.00 (Not Shown)
5	4	**	O-Ring (Not Shown)
6	7	<b>2" Split Flange Kit</b>	
	2	H0262200	Split Flange Half 2.00 Code 62
	4	F0120070	Hex Head Capscrew M20 x 2.5 x 70
	4	F1402000	Lock Washer M20
	1	S0190228	O-Ring (90 Durometer -228)
7	1	See page 36 & page 38	Valve Regen
8	4	F0116035	Hex Head Capscrew M16 x 2.0 x 35
9	6	F1201630	Flat Washer M16
10	1	1108194	Valve Tray
11	2	F0616035	Socket Head Capscrew M16 x 2.0 x 35
12	2	F3616020	Socket Head Shoulder Screw M16 x 2.0 x 20
13	1	<b>1-1/2" Split Flange Kit</b>	
	2	H0262150	Split Flange Half 1.50 Code 62
	4	F0116060	Hex Head Capscrew M16 x 2.00 x 60
	4	F1401628	Lock Washer M16
	1	S0190225	O-Ring (90 Durometer -225)
14	1	1107236	Hose
15	1	1107237	Hose
16	1	1107238	Hose
17	1	1107235	Hose
18	4	<b>1-1/4" Split Flange Kit (Not Shown)</b>	
	2	H0262125	Split Flange Half 1.25 Code 62
	4	F0112050	Hex Head Capscrew M12 X 1.75 X 50
	4	F1401200	Lock Washer M12
	1	S0190222	O-Ring (90 Durometer -222)

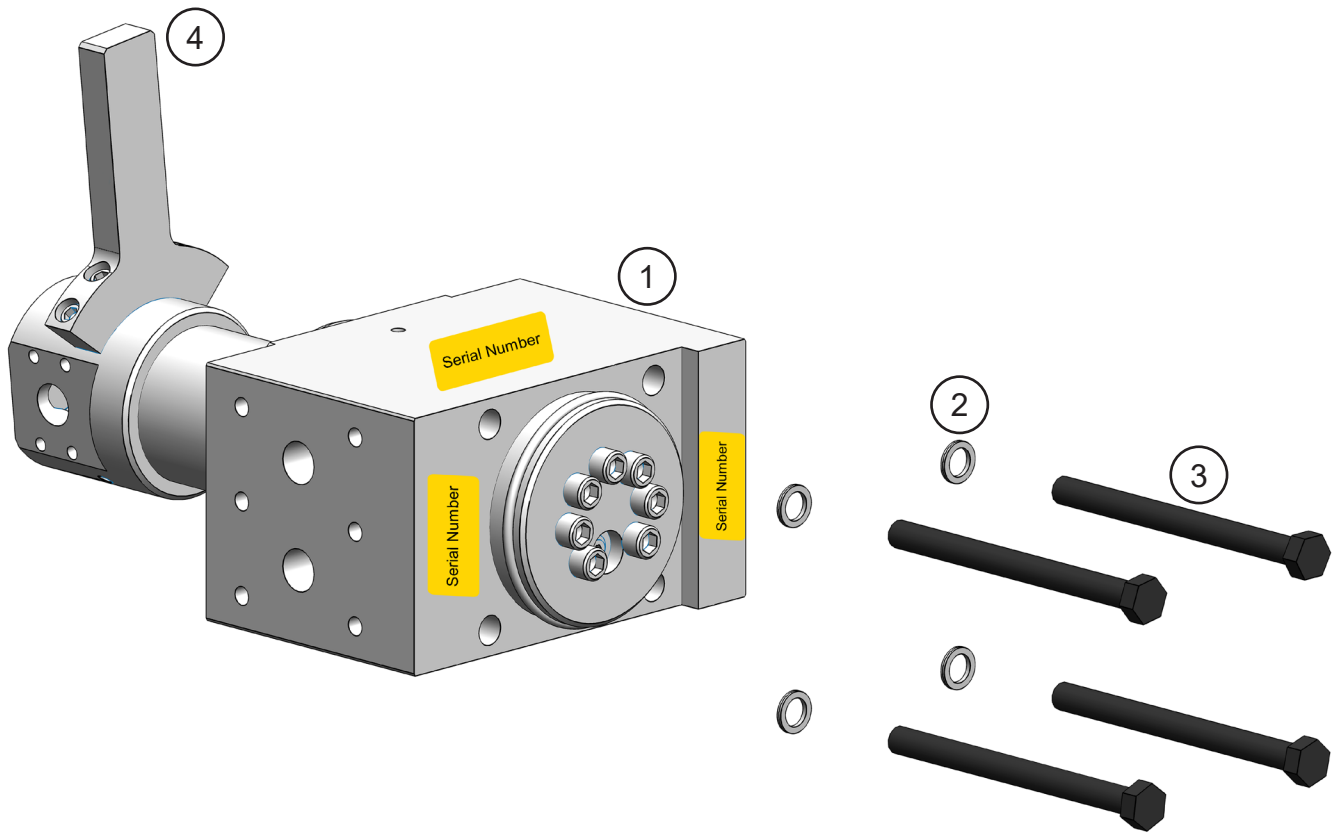
\* Your GXT 1555 mobile shear will contain one of two cylinders, Part number 6350086 or 6350094. If your cylinder has one 1 1/4" port and one 1 1/2" port, the shear contains cylinder 6350086. If your cylinder has one 1 1/2" port and one 2" port, the shear contains cylinder 6350094.

\*\* Part numbers are Serial Number specific. For replacement parts call the Genesis Parts Department.

**USA**  
715-395-3488

**Europe**  
+49 83 31 9 25 98 0

# ASSEMBLY SWIVEL MANIFOLD



## ASSEMBLY SWIVEL MANIFOLD

ITEM	QTY	PART NUMBER	DESCRIPTION
1	1	*	Assembly Swivel Manifold
2	4	F1900075	Wedge Lock Washer <sup>3</sup> / <sub>4</sub>
3	4	F0120320	Hex Head Capscrew M20 x 2.5 x 320
4	1	*	Torque Arm Kit

\* Part numbers are Serial Number specific.

For replacement parts and seal kit, call the Genesis Parts Department.

The swivel Serial Number, located in one of the three highlighted areas, is required for **any** parts order.

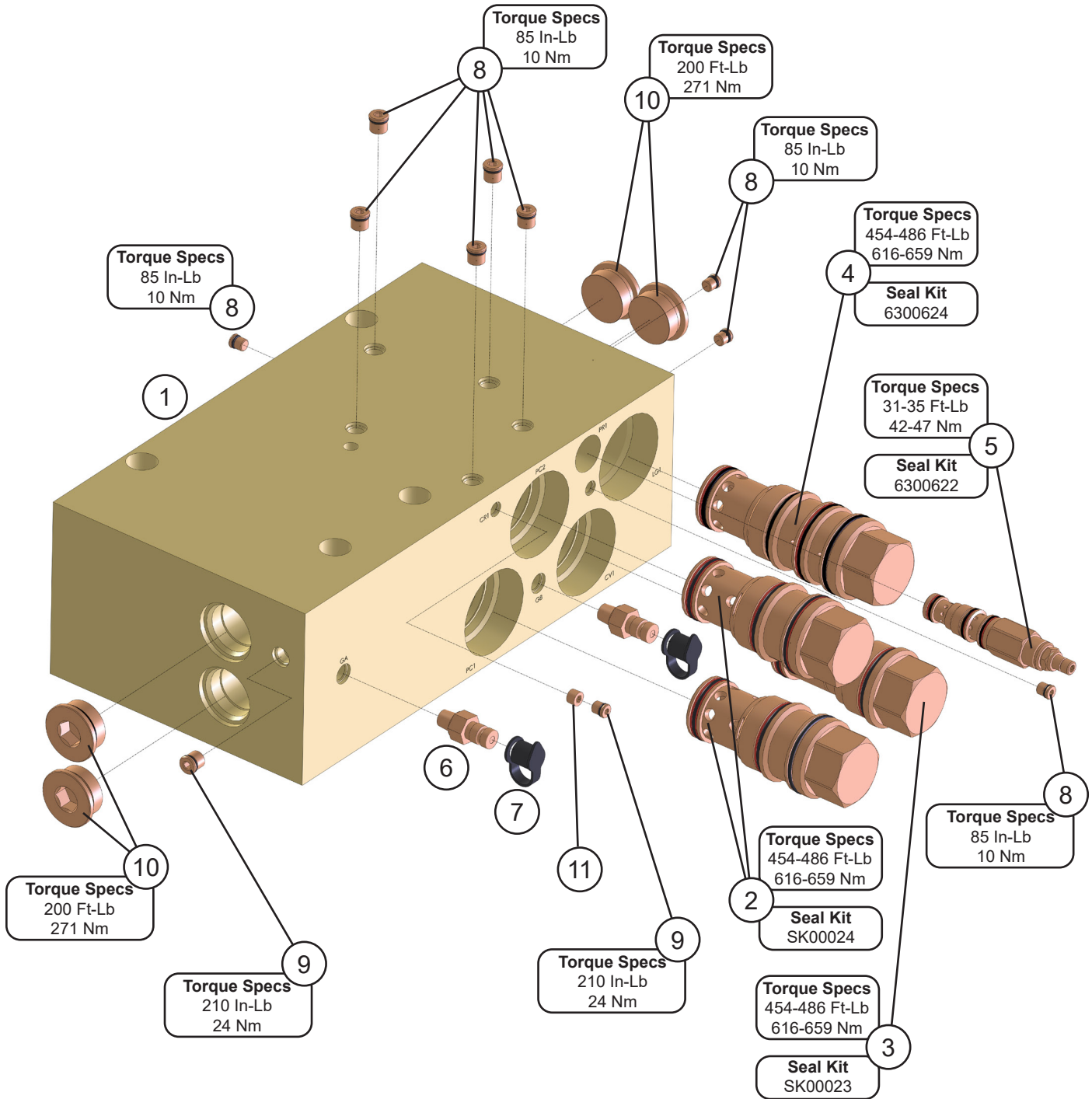
**USA**

715-395-3488

**Europe**

+49 83 31 9 25 98 0

# REGEN BLOCK SUB-ASSEMBLY - 6360021

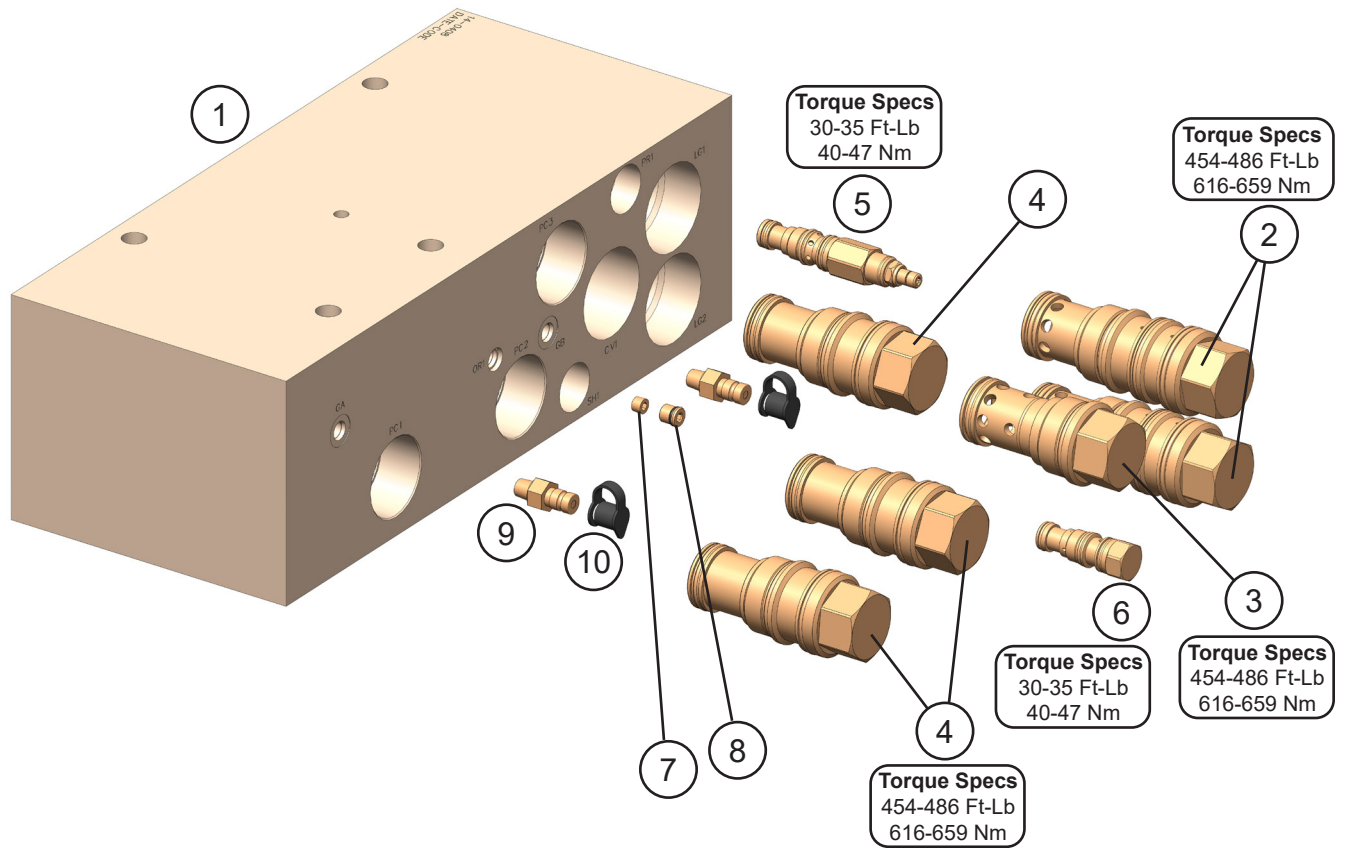


## REGEN BLOCK SUB-ASSEMBLY - 6360021

ITEM	QTY	PART NUMBER	DESCRIPTION
1	1	6360021	Valve Regen <b>Seal Kit SK00129</b>
2	2	6300061	Pilot to Close Check Valve <b>Seal Kit SK00024</b>
3	1	6380011	Check Valve <b>Seal Kit SK00023</b>
4	1	6300623	Logic Valve <b>Seal Kit 6300624</b>
5	1	6300625	Pressure Reducing Valve <b>Seal Kit 6300622</b>
6	2	6300088	Diagnostic Nipple
7	2	6310001	Diagnostic Nipple Dust Cap
8	9	6300075	Plug Socket Head 02MB
9	2	6300076	Plug Socket Head 04MB
10	4	6300078	Plug Socket Head 16MB
11	1	6300903	Plug Pipe Orifice 01MP 1/16-27 NPT

Your GXT 1555 mobile shear will contain one of two regens, Part number 6360021 or 6360024. If the Mach Plt Frmd Valve Tray is under the regen, the shear contains regen 6360021. If the Mach Plt Frmd Valve Tray is on top of the regen, the shear contains regen 6360024.

# REGEN BLOCK SUB-ASSEMBLY - 6360024

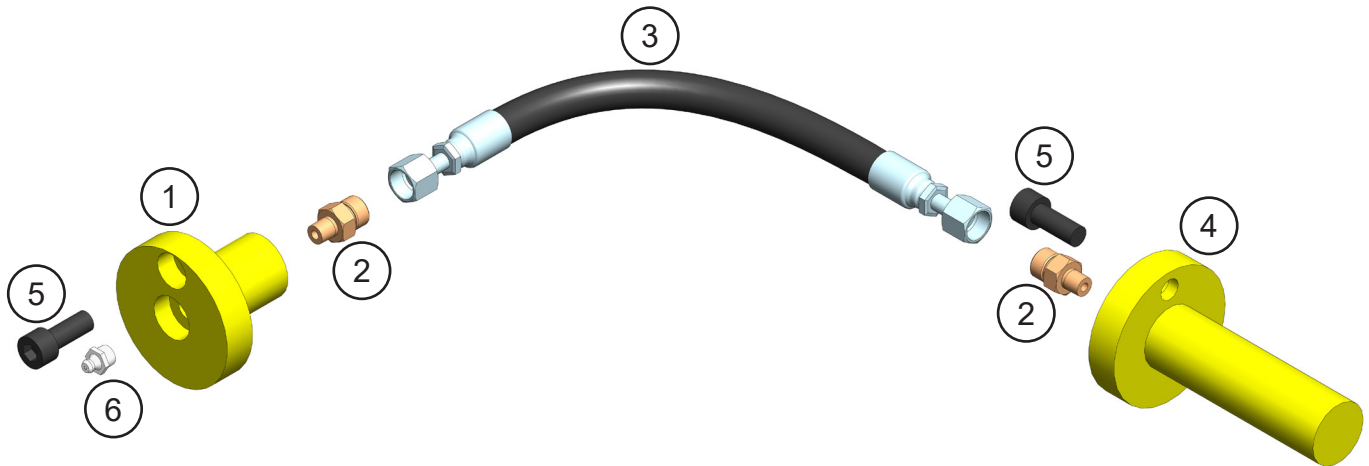


## REGEN BLOCK SUB-ASSEMBLY - 6360024

ITEM	QTY	PART NUMBER	DESCRIPTION
1	1	6360024	Valve Regen <span style="float: right;"><b>Seal Kit SK00189</b></span>
2	2	6300623	Logic Valve <span style="float: right;"><b>Seal Kit 6300624</b></span>
3	1	6380011	Check Valve <span style="float: right;"><b>Seal Kit SK00023</b></span>
4	3	6300061	Pilot to Close Check Valve <span style="float: right;"><b>Seal Kit SK00024</b></span>
5	1	6300625	Pressure Reducing Valve <span style="float: right;"><b>Seal Kit 6300622</b></span>
6	1	6301200	Shuttle Valve
7	1	6300903	Plug Pipe Orifice 01MP 1/16-27 NPT
8	17	6300075	Plug Socket Head 02MB
9	2	6300088	Diagnostic Nipple
10	2	6310001	Diagnostic Nipple Dust Cap
11	4	6300076	Plug Socket Head 04MB (Not Shown)
12	12	6300078	Plug Socket Head 16MB (Not Shown)

Your GXT 1555 mobile shear will contain one of two regens, Part Number 6360021 or 6360024. If the Mach Plt Frmd Valve Tray is under the regen, the shear contains regen 6360021. If the Mach Plt Frmd Valve Tray is on top of the regen, the shear contains regen 6360024.

# ASSEMBLY SLEWING RING LUBRICATION





## ASSEMBLY SLEWING RING LUBRICATION

ITEM	QTY	PART NUMBER	DESCRIPTION
1	1	5512411	Mach Grease Bulkhead Adaptor
2	2	6300731	Adaptor 02MP-04MO
3	1	1105888	Hose
4	1	5512419	Mach Slewing Ring Grease Adaptor
5	2	F0610035	Socket Head Capscrew M10 x 1.50 x 35
6	1	6200002	Grease Fitting

## BOLT TORQUE SPECIFICATIONS

Reference the product Thread Treatment Diagrams on page 43 to determine whether to use wet or dry torque values for specific bolts.

Reference Procedures on page 44 for threadlocker or anti-seize application and bolt and bolt hole cleaning.

Prior to torquing, clean all bolt holes, bolts and nuts to remove dirt, grease and oil, and identify bolt type.

Never re-torque bolts that use Loctite. If a bolt becomes loose or damaged after the initial use when Loctite was applied and the bolt was torqued, the bolt must be replaced.

Never break tightened bolts loose with a torque wrench. Doing so may break the torque wrench or take it out of calibration.

Torque wrenches should be calibrated on an annual basis.

When using a torque multiplier with a torque wrench, incorrect settings will be multiplied by the ratio of the torque wrench.

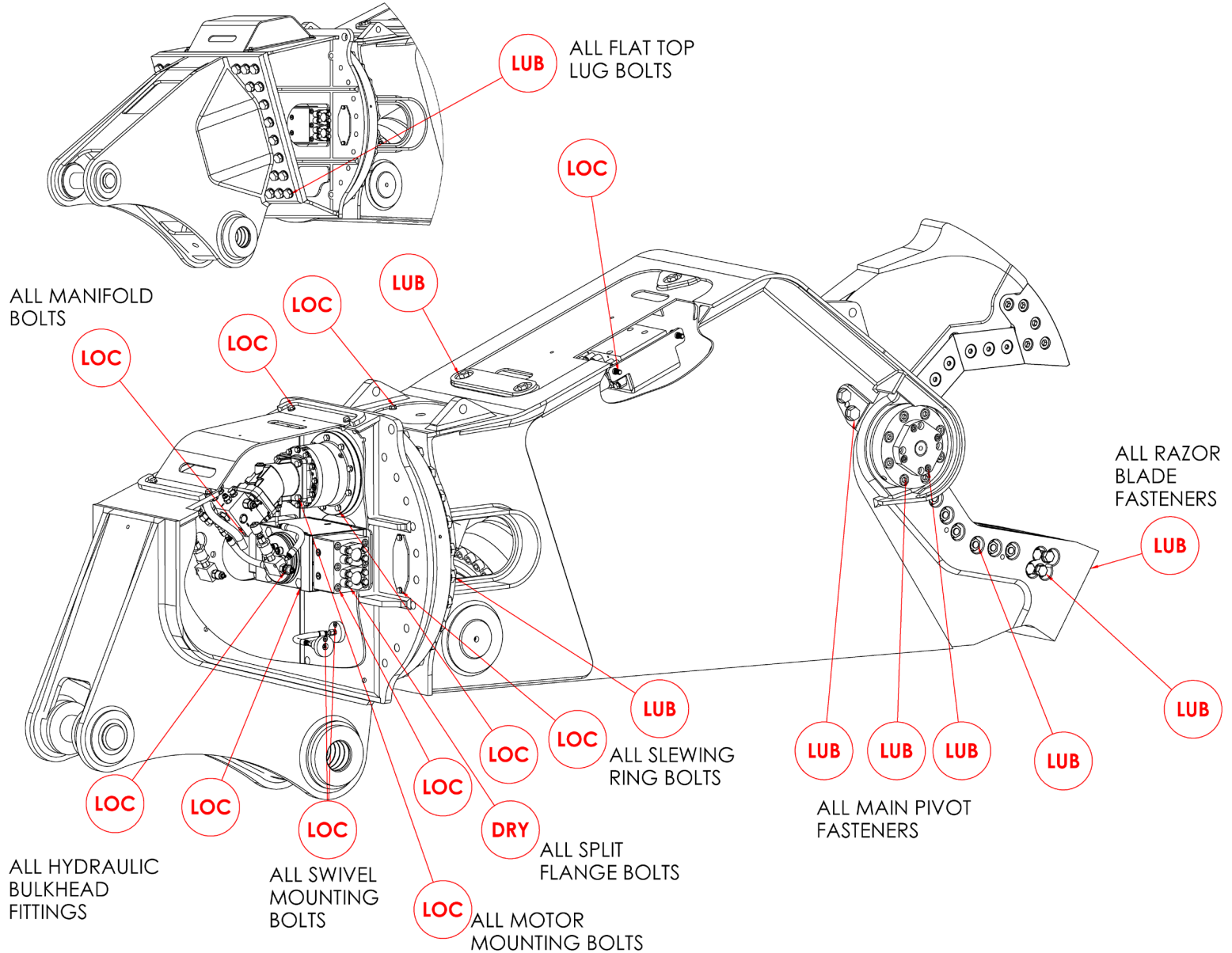
Never use an impact driver on a torque multiplier.

# THREAD TREATMENT DIAGRAM

## Mobile Shears

Use this diagram to determine what thread treatment, if any, is required for each fastener.

For thread treatment application procedures, see page 44. For prescribed torque values, see page 46.



# PROCEDURES

Reference the product Thread Treatment Diagrams on page 43 to determine which of the following procedures is required.

## Cleaning

To ensure proper performance of thread treatment and accurate torque values, clean and degrease **all internal and external threads** prior to application of threadlocker, anti-seize or primer and before installation of hardware.

- Ensure both internal and external threads are free of dirt or debris.
- Use brake cleaner or similar cleaning solvent on all threads to remove any grease or oil.
- Allow threads to dry.

## NOTICE

Failure to properly clean threads will cause threadlocker, primer, and/or anti-seize to not properly cure!

LOC

## Threadlocker

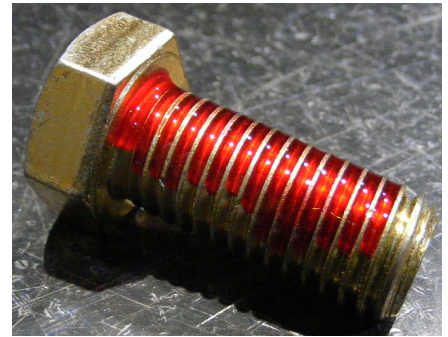
For bolted connections requiring threadlocker, use **Loctite 263** or equivalent applied using the following procedure:

- Clean and degrease all threads.
- For thru holes or nuts, apply threadlocker to bolt threads.
- For blind holes, apply stripe of threadlocker along the length of the hole (applying to the bolt can cause escaping air to remove threadlocker as the bolt is inserted).
- Torque bolt to specified **Wet Torque Value**, see page 46.

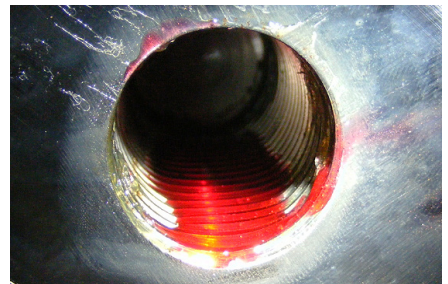
For threaded hydraulic fitting connections, use **Loctite 5452** or equivalent thread sealant in conjunction with **Loctite 7471** primer using the following procedure:

- Clean and degrease all threads.
- Apply Loctite 7471 primer to both external and internal threads and allow to dry.
- Apply threadlocker to 360 degrees of the threads on the male fitting, ensuring adequate coverage.
- Assemble fitting per directions in operator's manual.
- For O-ring boss and flat face O-ring connections, torque fittings to values specified on page 47

Threadlocker



Blind Hole



Hydraulic Fitting



## PROCEDURES

LUB

### Anti-Seize

For bolted connections requiring anti-seize lubrication, use **Loctite LB8008** or equivalent using the following procedure:

- Clean and degrease all threads.
- Apply thin coat of anti-seize to internal and external threads and under bolt head and/or nut, ensuring complete coverage.
- Torque bolt to specified **Wet Torque Value**, see page 46.

Anti-Seize

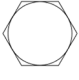
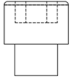
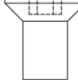


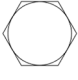
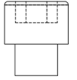
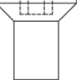
DRY

### No Thread Treatment

- Clean and degrease all threads.
- Torque bolt to specified **Dry Torque Value**, see page 46.

# BOLT TORQUE SPECIFICATIONS

<b>Dry Torque Values</b>					
		Hex/Socket Head		Flat Head	
		 			
Fastener Grade	Size x Pitch	Nm	Ft-lb	Nm	Ft-lb
CL 10.9	M8 x 1.25	35	26	27	20
	M10 x 1.50	71	53	58	42
	M12 x 1.75	124	92	101	73
	M14 x 1.50	200	148	163	118
	M14 x 2.00	200	148	163	118
	M16 x 2.00	311	230	254	184
	M20 x 1.50	610	450	498	360
	M20 x 2.50	608	449	497	359
	M24 x 3.00	1054	778	861	622
	M27 x 3.00	1543	1138	1260	910
	M30 x 3.50	2095	1545	1712	1236
	M36 x 4.00	3659	2699	2991	2159
8	1/4-20	14	11	11	8
	5/16-18	32	24	26	19
	3/8-16	59	44	48	35
	7/16-14	94	70	77	56
	1/2-13	143	106	116	84
	1/2-20	162	120	133	96
	5/8-11	287	212	234	169
	3/4-10	509	376	415	300
	7/8-9	821	606	670	484
	1.00-8	1232	909	1007	727
	1.00-14	1383	1020	1130	816
	1.25-7	2463	1817	2013	1453
8/L9	1.50-6	4287	3162	3504	2529

<b>Wet Torque Values</b>					
		Hex/Socket Head		Flat Head	
		 			
Fastener Grade	Size x Pitch	Nm	Ft-lb	Nm	Ft-lb
CL 10.9	M8 x 1.25	29	22	23	17
	M10 x 1.50	61	45	49	36
	M12 x 1.75	105	78	85	62
	M14 x 1.50	150	111	121	88
	M14 x 2.00	170	126	138	100
	M16 x 2.00	265	196	216	156
	M20 x 1.50	456	337	372	269
	M20 x 2.50	517	382	422	305
	M24 x 3.00	894	660	731	528
	M27 x 3.00	1312	968	1072	774
	M30 x 3.50	1779	1312	1453	1049
	M36 x 4.00	3110	2294	2542	1835
8	1/4-20	13	10	11	8
	5/16-18	27	20	22	16
	3/8-16	50	37	40	29
	7/16-14	80	59	65	47
	1/2-13	122	90	99	72
	1/2-20	138	102	112	81
	5/8-11	244	180	199	144
	3/4-10	433	320	354	256
	7/8-9	698	515	570	412
	1.00-8	1046	772	854	617
	1.00-14	1175	867	960	693
	1.25-7	2095	1545	1712	1236
8/L9	1.50-6	3644	2688	2979	2150

# O-RING BOSS & FLAT FACE O-RING TORQUE SPECIFICATIONS

O-Ring Boss Torque Values		
Size Dash	Nm	Ft-lb
-4	22	16
-5	27	20
-6	36	26
-8	83	60
-10	110	80
-12	187	135
-14	249	180
-16	304	220
-20	387	280
-24	498	360

Flat Face O-Ring Torque Values		
Size Dash	Nm	Ft-lb
-4	18	13
-6	30	22
-8	60	44
-10	85	62
-12	121	88
-14	121	88
-16	160	116
-20	213	154
-24	274	198

# BOLT DRIVE SPECIFICATIONS

Thread Size x Pitch	Hex Head	Socket Head	Flat Head
			
	Wrench/Drive Size		
M8 x 1.25	13mm	6mm	5mm
M10 x 1.50	17mm	8mm	6mm
M12 x 1.75	19mm	10mm	8mm
M14 x 1.50	22mm	12mm	10mm
M14 x 2.00	22mm	12mm	10mm
M16 x 2.00	24mm	14mm	10mm
M20 x 1.50	30mm	17mm	12mm
M20 x 2.50	30mm	17mm	12mm
M24 x 3.00	36mm	19mm	14mm
M27 x 3.00	41mm	19mm	-
M30 x 3.50	46mm	22mm	-
M36 x 4.00	55mm	27mm	-
1/4-20	7/16"	3/16"	5/32"
5/16-18	1/2"	1/4"	3/16"
3/8-16	9/16"	5/16"	7/32"
7/16-14	5/8"	3/8"	1/4"
1/2-13	3/4"	3/8"	5/16"
1/2-20	3/4"	3/8"	5/16"
5/8-11	15/16"	1/2"	3/8"
3/4-10	1-1/8"	5/8"	1/2"
7/8-9	1-5/16"	3/4"	9/16"
1.00-8	1-1/2"	3/4"	5/8"
1.00-14	1-1/2"	3/4"	5/8"
1.25-7	1-7/8"	7/8"	7/8"
1.50-6	2-1/4"	1"	1"



# WARRANTY

## **Claim Procedure**

Notify the Genesis Service Department of the potential warranty claim prior to making the repair. Digital pictures are very helpful for diagnosing problems and recommending repairs.

Contact the Genesis Service Department before making alterations, changes or repairs to any component that is going to be considered for warranty. Not doing so will void all Genesis warranty consideration.

The Genesis Service Department will issue an authorization number to track the repair costs, outgoing parts, and/or defective parts returning to the factory.

Replacement parts must be ordered using a purchase order number. Shipping is standard ground. Overnight shipping is available by request, and Genesis will not cover the shipping charge.

When the repair is complete, submit an invoice to the Genesis Service Department within 30 days. Include itemized internal labor reporting, parts lists and invoices for outside contractors. Reference the authorization number on all invoices.

When returning parts for warranty consideration, include a copy of any related Genesis paperwork along with any other necessary documentation to ensure proper processing and credit. The Genesis Service Department will provide the necessary forms.

Your account will be credited when the warranty claim is accepted.

## **Blade Warranty**

Standard warranty on blades will only be considered on the first edge, and wear on the edge must be 1/8" radius or less. Genesis does not warranty cutting blades that are cracked or broken from top to bottom (perpendicular to the long edge of the blade). Genesis also does not cover fasteners, the labor to replace wear components or collateral damage, such as blade seats, from broken blades, the piercing blade tang or adjustment plates.

**Please direct any questions to the Genesis Service Department: 715-395-5252**

# PARTS ORDER POLICY AND PROCEDURE

## **Parts Orders Should Include**

- Purchase order number
- Model and serial number of attachment
- Part number and quantity needed
- Shipping and billing address
- Method of shipment or required delivery date

## **Placing Orders**

Orders may be placed by phone or e-mail. To e-mail an order, use the form on the following page or your purchase order form. Contact information is located at the front of this manual.

## **Part Numbers**

Part numbers are listed in a separate Parts Manual or, if included, the Parts section of this manual. Contact the Genesis Parts Department with questions regarding part numbers, availability and pricing.

## **Shipping**

All orders will be shipped best way surface unless an alternate shipping method is requested. Shipping charges are not included in the purchase price of parts.

## **Invoices**

All invoices are due upon receipt. Any accounts with invoices open beyond 60 days are subject to review and may be placed on C.O.D. status without further notice.

## **Returns**

Many unused Genesis parts may be returned with proper documentation. Return shipping is the responsibility of the purchaser. Credit will be issued upon return, less a 25% restocking fee. Documentation is required for credit of returned parts. Contact the Genesis Service Department at 715-395-5252 for an RGA (Return Goods Authorization) number and form. An RGA must accompany every return. Items shipped without an RGA may be returned to sender.

## **Warranty Returns**

All parts returned to Genesis for warranty consideration must be returned with a completed RGA (Return Goods Authorization) provided by the Genesis Service Department. The form needs to be completed in its entirety, including any additional information requested by the Service Department. Return shipping is the responsibility of the sender and will be credited upon claim approval. A determination to accept or deny the claim will be made based upon the information available to Genesis. Warranty on purchased parts other than wear components is 6 months. Genesis does not cover labor costs to replace purchased parts replaced under warranty. There is no warranty period on wear parts or components.



# INDEX

1-1/2" Split Flange Kit	31,33	6300076 Plug Socket Head 04MB	37,39
1-1/4" Split Flange Kit	31	6300078 Plug Socket Head 16MB	37,39
1-1/4" Split Flange Kit	33	6300088 Diagnostic Nipple	37,39
2" Split Flange Kit	33	6300148 Adaptor 06MO-08MB	25
1101646 Mach Thrust Washer	7,9	6300303 Adaptor 08MB-08MO-90	25
1101649 Shim Set Thrust Washer	7,9	6300364 Filter	29
1101957 Mach Blade Razor	11	6300407 Adaptor Run Tee 06FOX-06MO-06MO	25
1102487 Mach Pin Keeper (Clevis)	17	6300446 Gear Box - 10 Bolt	23
1102857 Mach Bolt Socket Head Capscrew 1 1/4 - 7 x 4 1/2		6300512 Adaptor 12MB-08FB	25
Custom	13	6300582 Plug Pipe 04mp 1/4 - 18 NPT	29
1104799 Mach Bearing	7,9	6300623 Logic Valve	37,39
1105609 Mach Blade Guide	11	6300625 Pressure Reducing Valve	37,39
1105610 Mach Adj Plate Guide Blade	11	6300719 Valve Line Body	29
1105611 Mach Adj Plate Guide Blade	11	6300720 Valve Flow Control	29
1105614 Shim Set Guide Blade	11	6300731 Adaptor 02MP-04MO	41
1105854 Mach Flange Shoulder Bolt	19	6300903 Plug Pipe Orifice 01MP 1/16-27 NPT	37,39
1105888 Hose	41	6301112 O-Ring	19
1106465 Hose	25	6301199 Bearing Slewing	23
1106466 Hose	25	6301200 Shuttle Valve	39
1106478 Shim Set, Auto Guide	15	6310001 Diagnostic Nipple Dust Cap	25,27,37,39
1106667 Mach End Cap	7,9	6310149 Adaptor Bulkhead 06MO-06MO	25
1106669 Mach Tie Rod Nut	7,9	6310186 Adaptor Bulkhead 12MB-12MO	29
1106677 Mach Plt Frmd Valve Tray	31	6310194 Adaptor 08MB-12MB	29
1106764 Mach Rear Cyl Pin	17	6360021 Valve Regen	37
1106765 Mach Pin Keeper Rear	17	6360024 Valve Regen	39
1106767 Mach Bearing Upper Cylinder Connection	17	6360025 Motor	23,25
1106769 Wldt Front Cyl Pin	17	6360026 Valve Block	27
1106772 Mach Tie Rod	7	6360027 Gear Box - 8 Bolt	23
1106782 Mach Blade Tip Left	13	6360030 Valve Counterbalance	27
1106783 Mach Blade Tip Right	13	6360088 Valve Check	27
1107017 Hose	31	6360101 Valve Relief	27
1107018 Hose	31	6380011 Check Valve	37,39
1107019 Hose	31	Assembly Access Covers	5,18,19
1107020 Hose	31	Assembly Auto Guide	5,14,15
1107235 Hose	33	Assembly Cylinder B16.0 R10.0 S53.00	31
1107236 Hose	33	Assembly Cylinder B16 R10 S53	33
1107237 Hose	33	Assembly Cylinder Pins	5,16,17
1107238 Hose	33	Assembly Lower Blades	5,10,11
1107516 Wldt Cover	19	Assembly Open and Close Circuit - 6350086	5,30,31
1107838 Plt Rear Cover	19	Assembly Open and Close Circuit - 6350094	32,33
1107946 Shim Set Blade	11	Assembly Pivot Group - Left Side	5,8,9
1107949 Mach Adj Plate Primary	11	Assembly Pivot Group - Right Side	5,6,7
1107951 Mach Adj Plate Secondary	11	Assembly Rotation Circuit - Piston Motor	5,24,25
1107953 Mach Blade	11,13	Assembly Rotation Piston Motor	5,22,23
1108194 Valve Tray	33	Assembly Slewing Ring Lubrication	5,40,41
5500752 Plt Strap	21	Assembly Swivel Manifold	5,31,33,34,35
5512411 Mach Grease Bulkhead Adaptor	41	Assembly Upper Blades	5,12,13
5512419 Mach Slewing Ring Grease Adaptor	41	Assembly Upper Head	5,20,21
5514301 Wtmg Sub Head	21	Bolt Drive Specifications	48
5518057 Plt Sub Head Cover	21	Bolt Torque Specifications	42,46
5518785 Plt Bolt Cover	21	Contact Information	2,54
6200002 Grease Fitting	7,9,15,17,21,41	F0110030 Hex Head Capscrew M10 x 1.50 x 30	21
6300014 Diagnostic Nipple 06MB	25,27	F0112030 Hex Head Capscrew M12 x 1.75 x 30	19,21
6300061 Pilot to Close Check Valve	37,39	F0112050 Hex Head Capscrew M12 x 1.75 x 50	31
6300075 Plug Socket Head 02MB	37,39	F0112050 Hex Head Capscrew M12 X 1.75 X 50	33

# INDEX

F0116035 Hex Head Capscrew M16 x 2.0 x 35	33	Mach Port Block (Not Shown)	33
F0116060	23	Mach Spacer Sleeve	21
F0116060 Hex Head Capscrew M16 x 2.00 x 60	31,33	O-Ring	31
F0120060 Hex Head Capscrew M20 x 2.5 x 60	23	O-Ring Boss & Flat Face O-Ring Torque Specifications	47
F0120070 Hex Head Capscrew M20 x 2.5 x 70	33	O-Ring (Not Shown)	33
F0120320 Hex Head Capscrew M20 x 2.5 x 320	35	Parts Order Form	51
F0210200 Hex Head Capscrew 1-8x2	11	Parts Order Policy and Procedure	50
F0210500 Hex Head Capscrew 1 - 8 x 5	15	Procedures	44,45
F0210500 Hex Head Capscrew 1-8x5	11	Regen Block Sub-Assembly - 6360021	36,37
F0210600 Hex Head Capscrew 1-8x6	11	Regen Block Sub-Assembly - 6360024	38,39
F0213800 Hex Head Capscrew 1¼ - 7 x 8	23	S0190219 O-Ring	23
F0250150 Hex Head Capscrew ½ - 13 x 1½	23	S0190222 O-Ring	31
F0412030 Flat Head Capscrew M12 x 1.75 x 30	7,9	S0190222 O-Ring (90 Durometer -222)	33
F0510550 Flat Head Capscrew 1 - 8 x 5½	13	S0190225 O-Ring	31
F0510600 Flat Head Capscrew 1-8x6	11	S0190225 O-Ring (90 Durometer -225)	33
F0510700 Flat Head Capscrew 1 - 8 x 7	13	S0190228 O-Ring (90 Durometer -228)	33
F0610035 Socket Head Capscrew M10 x 1.50 x 35	7,9,41	S0190250 O-Ring	23
F0612040 Socket Head Capscrew M12 x 1.75 x 40	7,9	S0190350 O-Ring	7,9
F0612120 Socket Head Capscrew M12 x 1.75 x 120	31	Seal Kit 6300622	36,37,39
F0616035 Socket Head Capscrew M16 x 2.0 x 35	33	Seal Kit 6300624	36,37,39
F0616035 Socket Head Capscrew M16 x 2 x 35	31	Seal Kit 6300633	26,27
F0620090 Socket Head Capscrew M20 x 2.50 x 90	7,9	Seal Kit SK00023	36,37,39
F0620130 Socket Head Capscrew M20 x 2.50 x 130	17	Seal Kit SK00024	36,37,39
F0620230 Socket Head Capscrew M20 x 2.50 x 230	17	Seal Kit SK00058	26,27
F0910008 Hex Nut 1 - 8	13	Seal Kit SK00129	37
F0910008 Hex Nut 1-8	11	Seal Kit SK00155	28
F1020250 Nylock Hex Nut M20 x 2.50	17	Seal Kit SK00156	26,27
F1201021 Flat Washer M10	7,9,21	Seal Kit SK00189	39
F1201224 Flat Washer M12	7,9,19,21	Socket Head Capscrew	31
F1201630 Flat Washer M16	31,33	Socket Head Capscrew M16 x 2.00 (Not Shown)	33
F1202037 Flat Washer M20	7,9	Sub-Assembly Line Mount Manifold	5,25,28,29
F1300100 Flat Washer Narrow 1"	11	Sub-Assembly Regen Block	5
F1300100 Flat Washer Narrow 1 - 8	13,15	Sub-Assembly Rotate Cross-over / C'bal	5,26,27
F1401200 Lock Washer M12	31,33	Sub-Assembly Rotate Cross-over/C'bal	25
F1401628 Lock Washer M16	31,33	Table of Contents	3
F1402000 Lock Washer M20	33	Thread Treatment Diagram	43
F1900050 Washer Nord-Lock 1/2 and M12 Steel	23	Torque Arm Kit	35
F1900063 Washer Nord-Lock 5/8 and M16 Steel	23	Valve Regen	31,33
F1900075 Washer Nord-Lock ¾ and M20 Steel	23	Warranty	49
F1900075 Wedge Lock Washer ¾	35	Wldt Pin	21
F2510100 Set Screw Socket Head 1-8x1	11	Wtmg Lug Upper Head	5,21
F2803300 Hytorc Washer	23	Wtmg Stick	5
F3616020 Socket Head Shoulder Screw M16 x 2.0 x 20	33	Wtmg Upper	5
F3616040 Socket Head Shoulder Screw M16 x 2 x 40	31		
General Arrangement	4,5		
H0262125 Split Flange Half 1.25 Code 62	31,33		
H0262150 Split Flange Half 1.50 Code 62	31,33		
H0262200 Split Flange Half 2.00 Code 62	33		
Mach Bearing	21		
Mach Boom Bearing	21		
Mach Main Shaft	9		
Mach Port Block	31		



**GENESIS®**

The Promise of Performance.

## CONTACT INFORMATION

### Genesis Attachments

1000 Genesis Drive  
Superior, WI 54880 USA

Toll Free: 888-SHEAR-IT  
(888-743-2748)

Phone: 715.395.5252

E-mail:  
info@genesisattachments.com

### Europe/Africa/Middle East Genesis GmbH

Teramostrasse 23  
87700 Memmingen, Germany

Phone: +49 83 31 9 25 98 0

Fax: +49 83 31 9 25 98 80

genesis-europe.com

E-mail:  
info@genesis-europe.com

### Asia Pacific Representative Office

24 Upper Serangoon View #12-28  
Singapore 534205

Phone: +65 9673 9730

E-mail:  
tchoo@genesisattachments.com

### Central America & Colombia

Cra 13A #89-38 / Ofi 613  
Bogota, Colombia

Phone: +57 1 610 8160 / 795 8747

E-mail:  
contact@themsagroup.com

View and download all manuals: [genesisattachments.com/manuals](http://genesisattachments.com/manuals)  
Patents: [genesisattachments.com/products/patents](http://genesisattachments.com/products/patents)

Rev. V 10-15-24