

Handling Grapple (GHG 75)

PARTS MANUAL



CONTACT INFORMATION

Genesis Attachments

1000 Genesis Drive
Superior, WI 54880 USA

Toll Free: 888-SHEAR-IT
(888-743-2748)

Phone: 715.395.5252

E-mail:
info@genesisattachments.com

Europe/Africa/Middle East Genesis GmbH

Teramostrasse 23
87700 Memmingen, Germany

Phone: +49 83 31 9 25 98 0
Fax: +49 83 31 9 25 98 80
genesis-europe.com

E-mail:
info@genesis-europe.com

Asia Pacific Representative Office

24 Upper Serangoon View #12-28
Singapore 534205

Phone: +65 9673 9730

E-mail:
tchoo@genesisattachments.com

Central America & Colombia

Cra 13A #89-38 / Ofi 613
Bogota, Colombia

Phone: +57 1 610 8160 / 795 8747

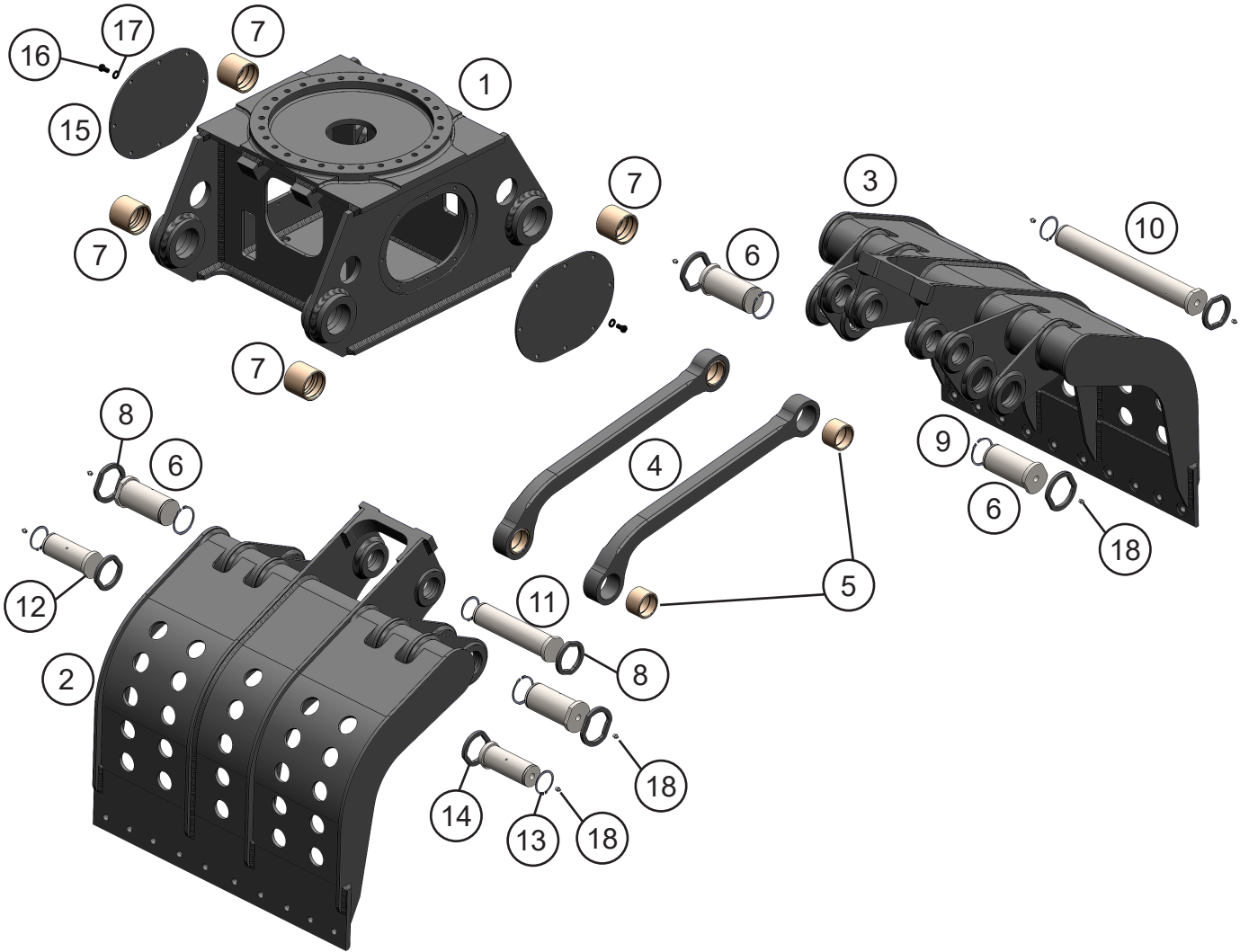
E-mail:
contact@themsagroup.com

View and download all manuals: genesisattachments.com/manuals
Patents: genesisattachments.com/products/patents

TABLE OF CONTENTS

CONTACT INFORMATION	2
ASSEMBLY GRAPPLE PERFORATED - 2200862	4
ASSEMBLY GRAPPLE RIBBED TINE	6
ASSEMBLY BLADE KIT	8
ASSEMBLY SWIVEL - 6350116	10
ASSEMBLY CYLINDER B5.0 R3.0 S14.25 - 6350134	12
ASSEMBLY HYDRAULIC - 2200861	14
ASSEMBLY LUGS	16
SUB-ASSEMBLY LINE MOUNT MANIFOLD	18
ASSEMBLY SUB-HEAD	20
SPLIT FLANGE KITS USED IN THIS MANUAL	22
BOLT TORQUE SPECIFICATIONS	23
THREAD TREATMENT DIAGRAM	24
Grapples	24
PROCEDURES	25
Cleaning	25
Threadlocker	25
Anti-Seize	26
No Thread Treatment	26
BOLT TORQUE SPECIFICATIONS	27
Dry Torque Values	27
Wet Torque Values	27
O-RING BOSS & FLAT FACE O-RING TORQUE SPECIFICATIONS	28
BOLT DRIVE SPECIFICATIONS	29
WARRANTY	30
Claim Procedure	30
Blade Warranty	30
PARTS ORDER POLICY AND PROCEDURE	31
Parts Orders Should Include	31
Placing Orders	31
Part Numbers	31
Shipping	31
Invoices	31
Returns	31
Warranty Returns	31
PARTS ORDER FORM	32
INDEX	33
CONTACT INFORMATION	35

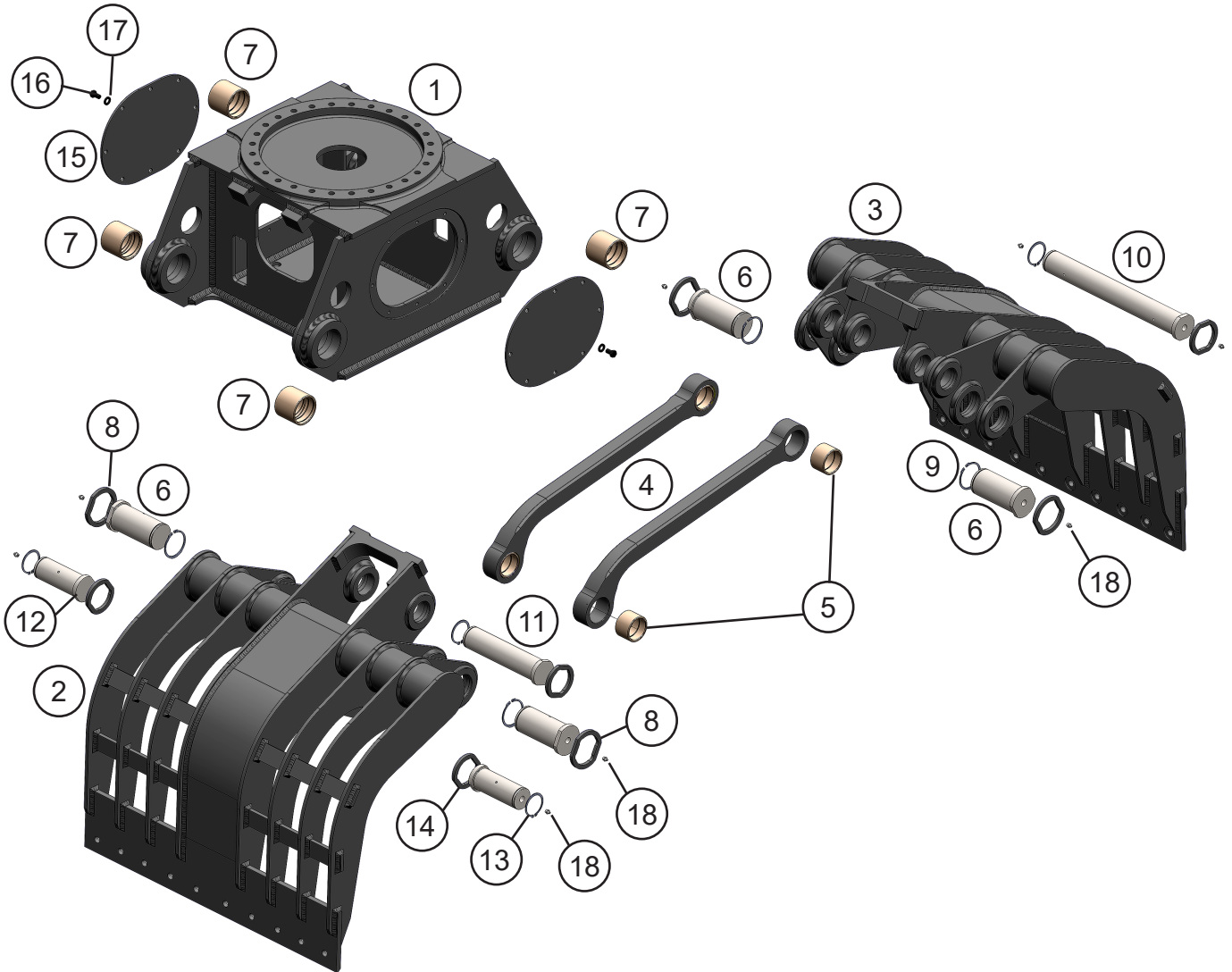
ASSEMBLY GRAPPLE PERFORATED - 2200862



ASSEMBLY GRAPPLE PERFORATED - 2200862

ITEM	QTY	PART NUMBER	DESCRIPTION
1	1	2200863	Wtmg Frame
2	1	2200909	Wtmg Tine 3 Bore Perforated
3	1	2200910	Wtmg Tine 2 Bore Perforated
4	2	2200874	Mach Drag Link
5	4	2200880	Mach Bearing 2.999 x 2.511 x 2.00 Lg
6	4	2200882	Mach Pin 3.00 Dia x 6.25 Lg
7	4	2200881	Mach Bearing 3.499 x 3.012 x 3.00 Lg
8	4	2200778	Mach Pin Keeper 3.00
9	4	6200084	Snap Ring 3.00 Dia x 0.093T External
10	1	2200885	Mach Pin 2.50 Dia x 20.125 Lg
11	1	2200884	Mach Pin 2.50 Dia x 10.75 Lg
12	2	2200883	Mach Pin 2.50 Dia x 6.25 Lg
13	4	6200086	Snap Ring 2.50 Dia x 0.078T External
14	4	2200906	Mach Pin Keeper 2.50
15	2	2200872	Mach Side Cover
16	16	F0112020	Hex Head Capscrew M12 x 1.75 x 20 Cl 10.9 DIN
17	16	F1201224	Flat Washer M12 DIN 6916 (24x3) Class 10
18	8	6200002	Grease Fitting 1/8" - 27 NPT

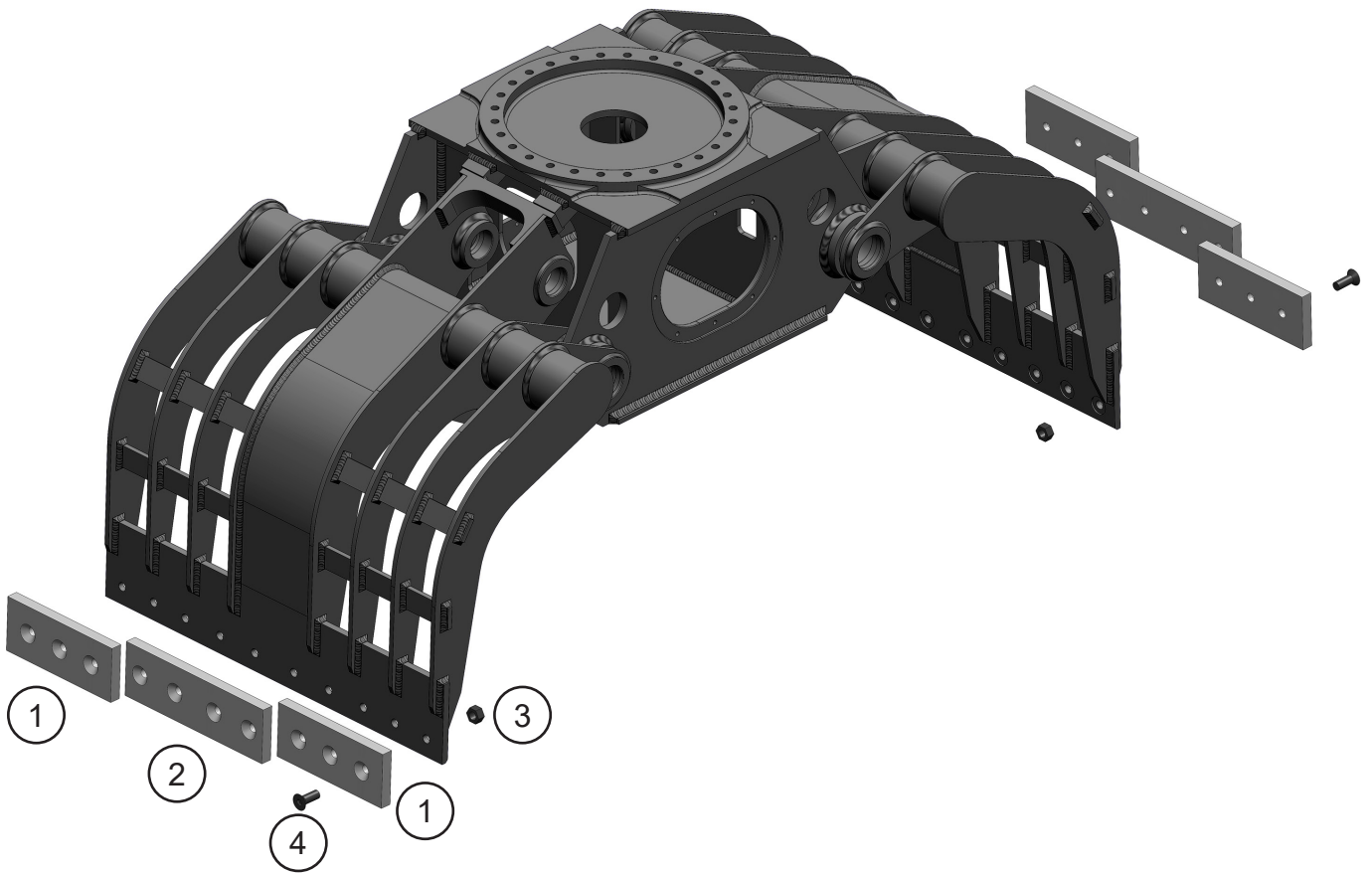
ASSEMBLY GRAPPLE RIBBED TINE



ASSEMBLY GRAPPLE RIBBED TINE

ITEM	QTY	PART NUMBER	DESCRIPTION
1	1	2200863	Wtmg Frame
2	1	2200887	Wtmg Tine 3 Bore Perforated
3	1	2200888	Wtmg Tine 2 Bore Perforated
4	2	2200874	Mach Drag Link
5	4	2200880	Mach Bearing 2.999 x 2.511 x 2.00 Lg
6	4	2200882	Mach Pin 3.00 Dia x 6.25 Lg
7	4	2200881	Mach Bearing 3.499 x 3.012 x 3.00 Lg
8	4	2200778	Mach Pin Keeper 3.00
9	4	6200084	Snap Ring 3.00 Dia x 0.093T External
10	1	2200885	Mach Pin 2.50 Dia x 20.125 Lg
11	1	2200884	Mach Pin 2.50 Dia x 10.75 Lg
12	2	2200883	Mach Pin 2.50 Dia x 6.25 Lg
13	4	6200086	Snap Ring 2.50 Dia x 0.078T External
14	4	2200906	Mach Pin Keeper 2.50
15	2	2200872	Mach Side Cover
16	16	F0112020	Hex Head Capscrew M12 x 1.75 x 20 Cl 10.9 DIN
17	16	F1201224	Flat Washer M12 DIN 6916 (24x3) Class 10
18	8	6200002	Grease Fitting 1/8" - 27 NPT

ASSEMBLY BLADE KIT

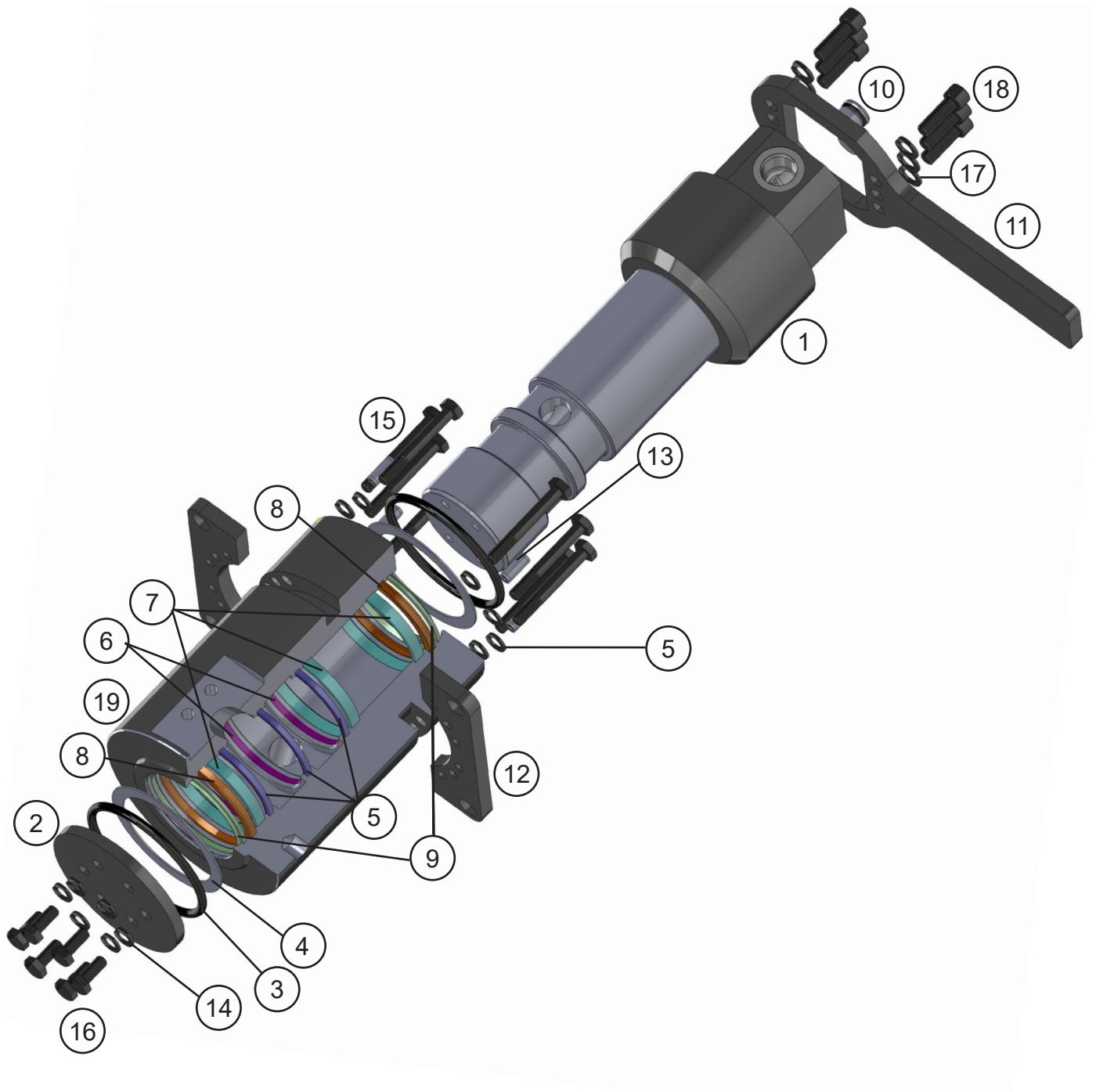


ASSEMBLY BLADE KIT

Blade Kit 2200908

ITEM	QTY	PART NUMBER	DESCRIPTION
1	4	2200876	Mach Tine Blade End 3 Piece
2	2	2200878	Mach Tine Blade Center 3 Piece
3	20	F0575200	Flat Head Capscrew $\frac{3}{4}$ - 10 x 2 Grade 8 Black
4	20	F0907510	Hex Nut $\frac{3}{4}$ - 10 Grade 8 Black

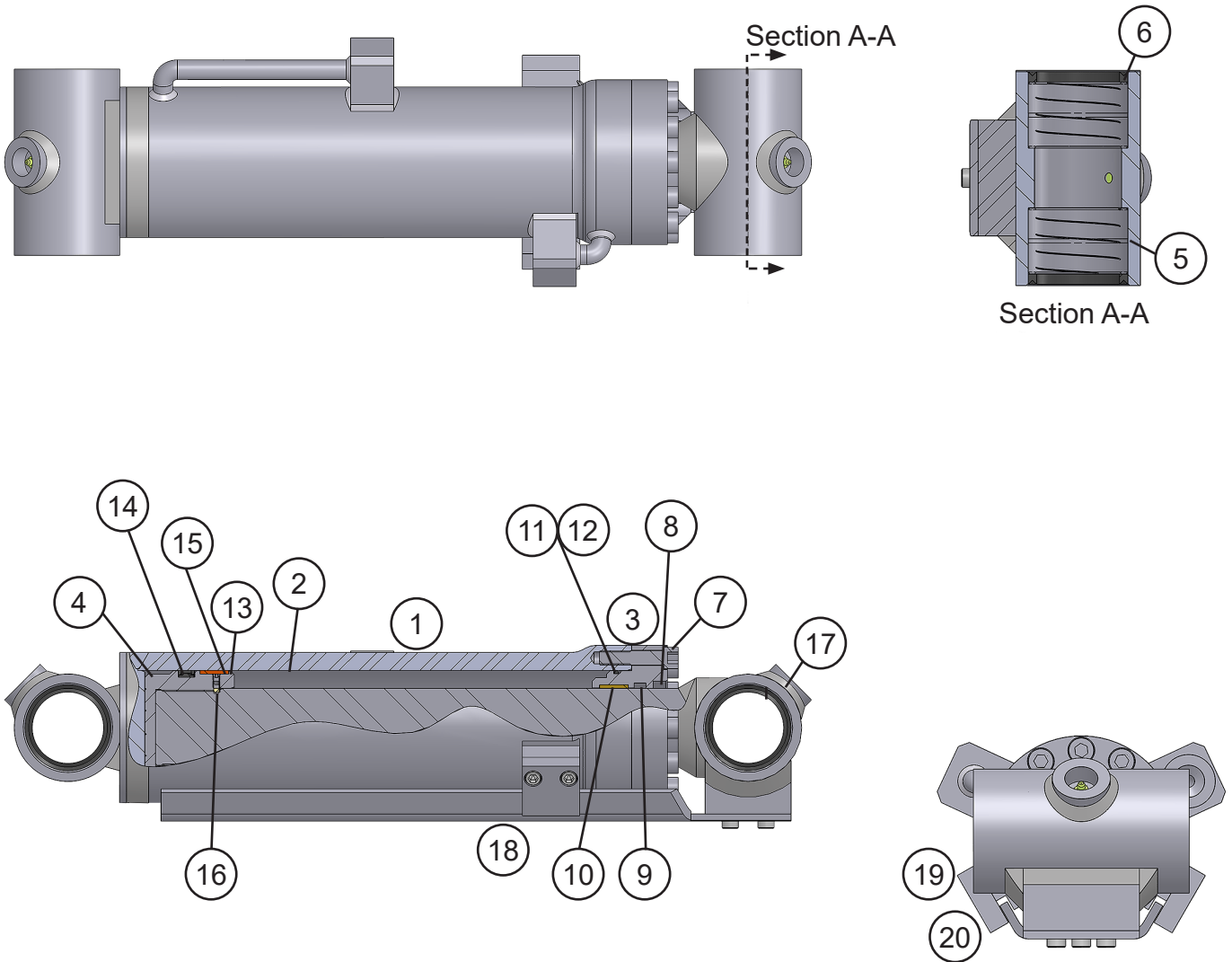
ASSEMBLY SWIVEL - 6350116



ASSEMBLY SWIVEL - 6350116

ITEM	QTY	PART NUMBER	DESCRIPTION
1	1	For replace- ment parts call the Genesis Parts Department. USA 715-395-3488 Europe +49 83 31 9 25 98 0	Spool
2	1		Spool Plate
3	2		Thrust Washer
4	2		O-Ring
5	3		3.50" Energizer
6	3		3.50" Cap Seal
7	3		3.50" Wear Ring
8	2		3.50" U-Cup Seal
9	2		3.50" Excluder Seal
10	2		Zero-Leak Plug 10
11	1		Torque Arm
12	2		Mounting Plate
13	4		.38 x 1.00 Coiled Spring Pin
14	14		M10 Split Lock Washer
15	8		M10 x 1.50 x 80C10.9 HHCS
16	6		M10 x 1.50 x 30C10.9 HHCS
17	6		M12 Hi-Collar Lock Washer
18	6		M12 x 1.75 x 35 SHCS
19	1		Housing

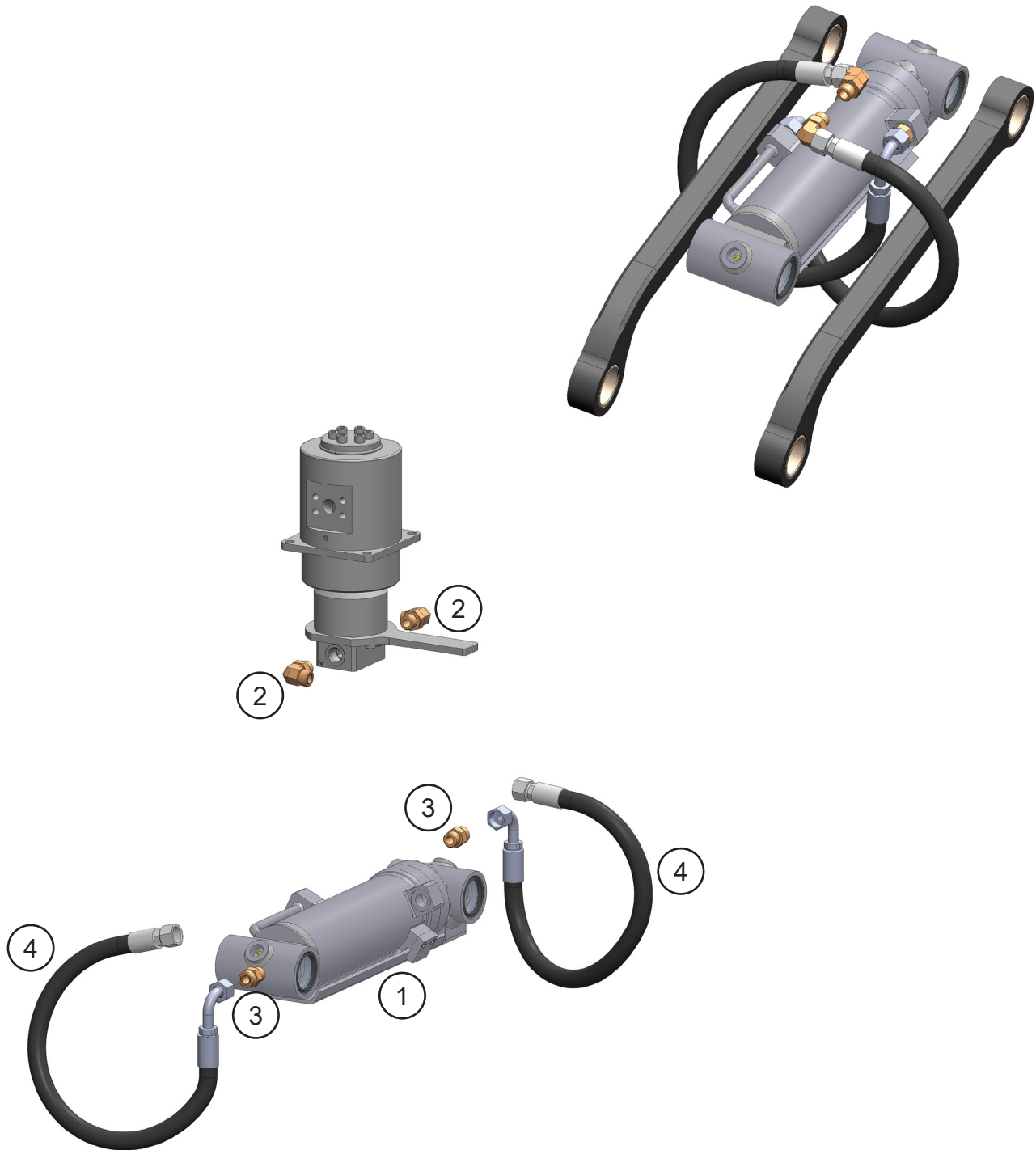
ASSEMBLY CYLINDER B5.0 R3.0 S14.25 - 6350134



ASSEMBLY CYLINDER B5.0 R3.0 S14.25 - 6350134

ITEM	QTY	PART NUMBER	DESCRIPTION
1	1	For replacement parts call the Genesis Parts Department. USA 715-395-3488 Europe +49 83 31 9 25 98 0	Housing Assembly
2	1		Rod Assembly
3	1		Gland
4	1		Piston
5	4		Bushing 3 x 2.5 x 2
6	4		Wiper
7	12		SHCS ½ - 13 x 2.25
8	1		Wiper
9	1		Rod Seal 3.125 2.75 0.375
10	1		Wear Ring, Rod
11	1		O-Ring
12	1		BU Ring
13	1		Wear Ring 4.00 3.75 1.00
14	1		Piston Seal
15	2		Set Screw ¼ - 20
16	1		Nylon Plug
17	2		Grease Fitting
18	1		Rod Shield
19	2		Shield Guide
20	7		SHCS ⅜ - 16 x ¾

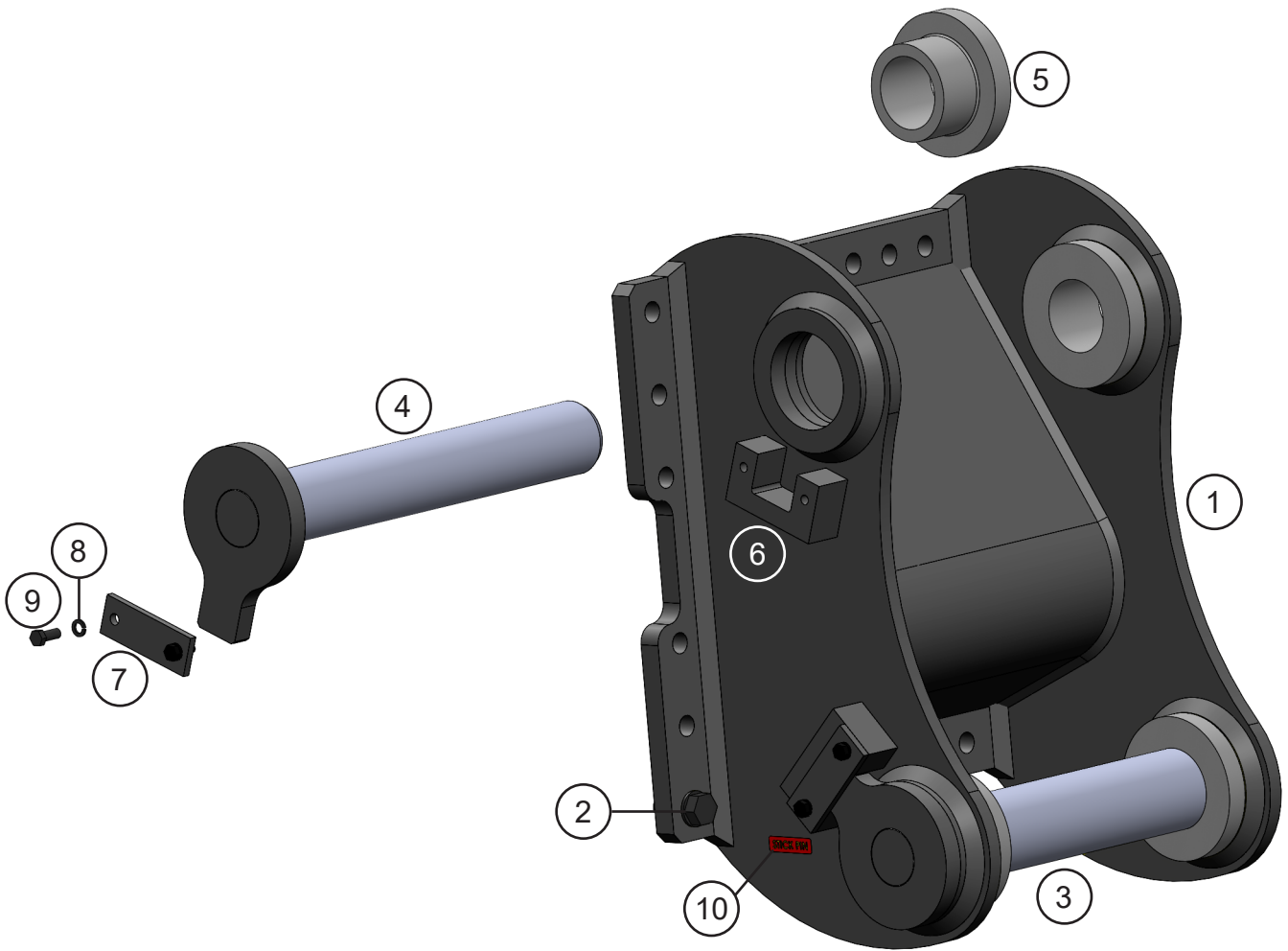
ASSEMBLY HYDRAULIC - 2200861



ASSEMBLY HYDRAULIC - 2200861

ITEM	QTY	PART NUMBER	DESCRIPTION
1	1	6350120	Sub-Assy Cyl B5.0 R3.0 S14.25
2	2	6310036	Adapter 12MB-12MO-90
3	2	6300441	Adapter 12MB-12MO
4	2	2200773	Hose

ASSEMBLY LUGS



ASSEMBLY LUGS

ITEM	QTY	PART NUMBER	DESCRIPTION
1	1	**	Wtmg Lugs
2	*	**	Bracket Fasteners
3	1	**	Wldt Stick Pin
4	1	**	Wldt Link Pin
5	*	**	Mach Spacer Sleeve
6	2	**	Mach Pin Keeper
7	2	**	Bar Strap
8	4	**	Washer
9	4	**	Hex Head Capscrew
10	1	**	Stick Pin Decal

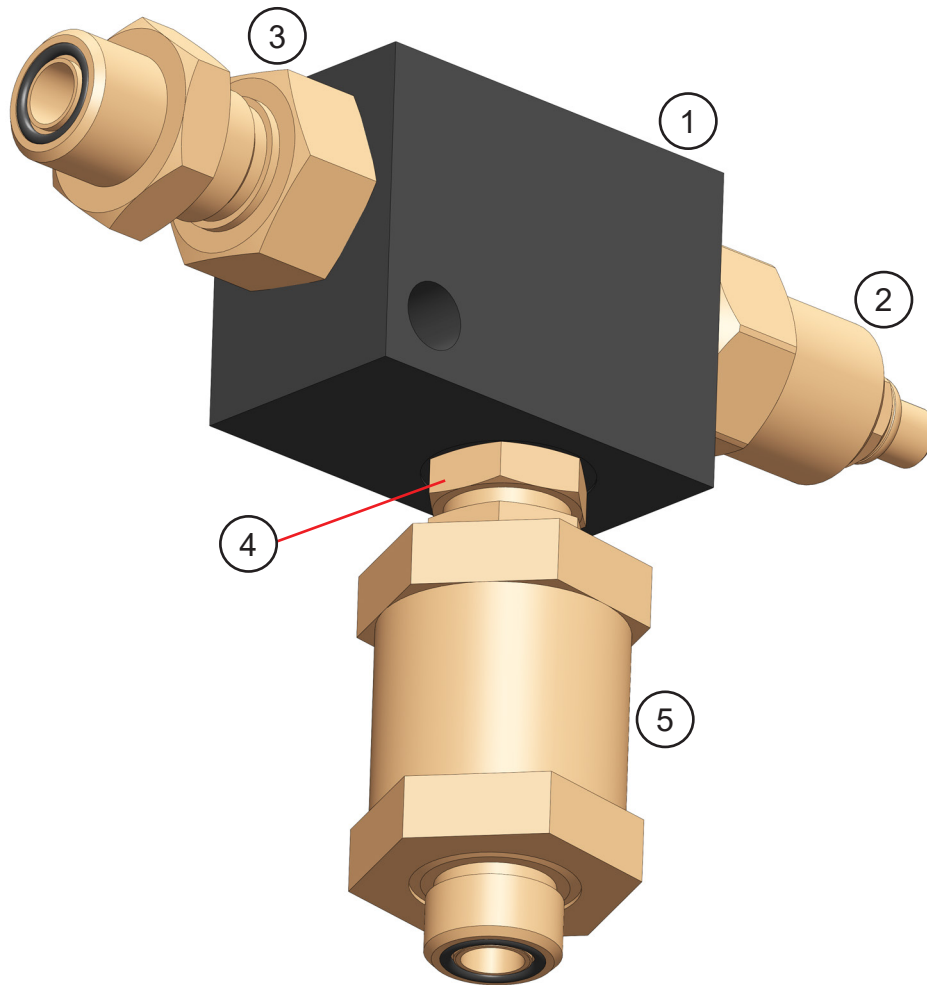
* Quantity is dependent upon the bracket.

** Part Number is Serial Number specific. For replacement parts call the Genesis Parts Department.

USA
715-395-3488

Europe
+49 83 31 9 25 98 0

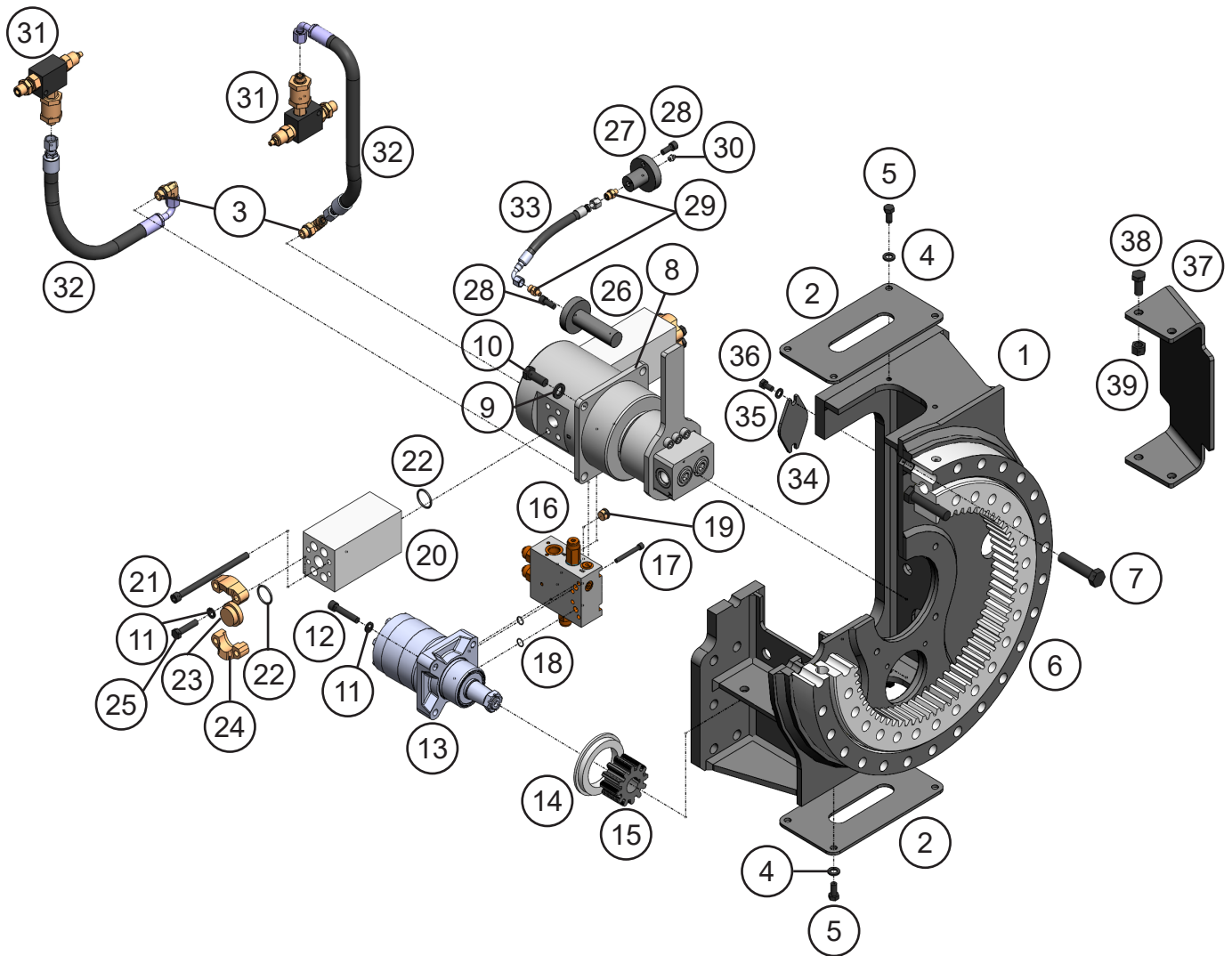
SUB-ASSEMBLY LINE MOUNT MANIFOLD



SUB-ASSEMBLY LINE MOUNT MANIFOLD

ITEM	QTY	PART NUMBER	DESCRIPTION
1	1	6300609	Valve Line Body
2	1	6300361	Valve Flow Control
3	1	6300497	Adaptor Bulkhead 08MB-08MO
4	1	6310183	Adaptor 08MB-08MB
5	1	6300364	Filter

ASSEMBLY SUB-HEAD



ASSEMBLY SUB-HEAD

ITEM	QTY	PART NUMBER	DESCRIPTION
1	1	2200791	Wtmg Sub-Head Flat Top (Bolt-on)
2	2	3502190	Plt Cover Sub-Head
3	2	6300305	Adapter 10MB-08MFFOR-90
4	8	F1201224	Flat Washer M12
5	8	F0112025	Hex Head Capscrew M12 x 1.75 x 25 CI 10.9 DIN931
6	1	6100397	Bearing Slewing
7	56	F0120090	Hex Head Capscrew M20 x 2.50 x 90 CI 10.9 DIN931
8	1	6350116	Assy Swivel Manifold
9	4	F1201630	Flat Washer M16
10	4	F0116040	Hex Head Capscrew M16 x 2.0 x 40 CI 10.9 DIN931
11	12	F1401200	Lock Washer M12
12	4	F0612060	Socket Head Capscrew M12 x 1.75 x 60 CI 10.9 DIN912
13	1	6380083	Motor
14	1	3501835	Mach Spacer
15	1	3502192	Pinion Motor
16	1	6360102	Valve Rotate Cross-over / C'bal
17	4	F0731250	Socket Head Capscrew 5/16 - 18 x 2½ Grade 9
18	2	S0190015	O-Ring
19	1	6300054	Plug Socket Head 08MB
20	2	2200799	Mach Port Block
21	8	F0612190	Socket Head Capscrew M12 x 1.75 x 190 CI 10.9 DIN912
22	4	S0190219	O-Ring
23	2	H0362100	Split Flange Plug 1.00 Code 62
24	4	H0262100	Split Flange Half 1.00 Code 62
25	8	F0112050	Hex Head Capscrew M12 x 1.75 x 50
26	1	5512419	Mach Slewing Ring Grease Adapter
27	1	5512411	Mach Grease Bulkhead Adapter
28	2	F0610025	Socket Head Capscrew M10 x 1.50 x 25 CI 10.9 DIN912
29	2	6300731	Adapter 02MP-04MO
30	1	6200002	Grease Fitting ⅛ - 27 NPT
31	2	6301202	Flow Control Sub-Assembly
32	2	2200832	Hose
33	1	3502188	Hose
34	2	3502191	Plt Cover ROT Bolts
35	4	F1201021	Flat Washer M10
36	4	F0110020	Hex Head Capscrew M10 x 1.50 x 20 CI 10.9 DIN931
37	2	2200846	Plt Frmd Hose Guard
38	8	F0116035	Hex Head Capscrew M16 x 2.00 x 35 CI 10.9 DIN931
39	8	F1016200	Nylock Hex Nut M16 x 2.0

SPLIT FLANGE KITS USED IN THIS MANUAL

1" Split Flange Kit - Code 61 - M10

QTY	PART NUMBER	DESCRIPTION
2	H0261100	Split Flange Half 1.00 Code 61
4	F0110035	Hex Head Capscrew M10 x 1.50 x 35
4	F1401000	Lock Washer M10
1	S0190219	O-Ring

1" Split Flange Kit - Code 62 - M10

QTY	PART NUMBER	DESCRIPTION
2	H0262100	Split Flange Half 1.00 Code 62
4	F0110040	Hex Head Capscrew M10 x 1.50 x 40
4	F1401000	Lock Washer M10
1	S0190219	O-Ring

1" Split Flange Kit - Code 62 - M12

QTY	PART NUMBER	DESCRIPTION
2	H0262100	Split Flange Half 1.00 Code 62
4	F0112040	Hex Head Capscrew M12 x 1.75 x 40
4	F1401200	Lock Washer M12
1	S0190219	O-Ring

1-1/4" Split Flange Kit - Code 62 - M12

QTY	PART NUMBER	DESCRIPTION
2	H0262125	Split Flange Half 1.25 Code 62
4	F0112050	Hex Head Capscrew M12 x 1.75 x 50
4	F1401200	Lock Washer M12
1	S0190222	O-Ring

1-1/4" Split Flange Kit - Code 62 - M14

QTY	PART NUMBER	DESCRIPTION
2	H0262125	Split Flange Half 1.25 Code 62
4	F0114050	Hex Head Capscrew M14 x 2.00 x 50
4	F1401400	Lock Washer M14
1	S0190222	O-Ring

BOLT TORQUE SPECIFICATIONS

Reference the product Thread Treatment Diagrams on page 24 to determine whether to use wet or dry torque values for specific bolts.

Reference Procedures on page 25 for threadlocker or anti-seize application and bolt and bolt hole cleaning.

Prior to torquing, clean all bolt holes, bolts and nuts to remove dirt, grease and oil, and identify bolt type.

Never re-torque bolts that use Loctite. If a bolt becomes loose or damaged after the initial use when Loctite was applied and the bolt was torqued, the bolt must be replaced.

Never break tightened bolts loose with a torque wrench. Doing so may break the torque wrench or take it out of calibration.

Torque wrenches should be calibrated on an annual basis.

When using a torque multiplier with a torque wrench, incorrect settings will be multiplied by the ratio of the torque wrench.

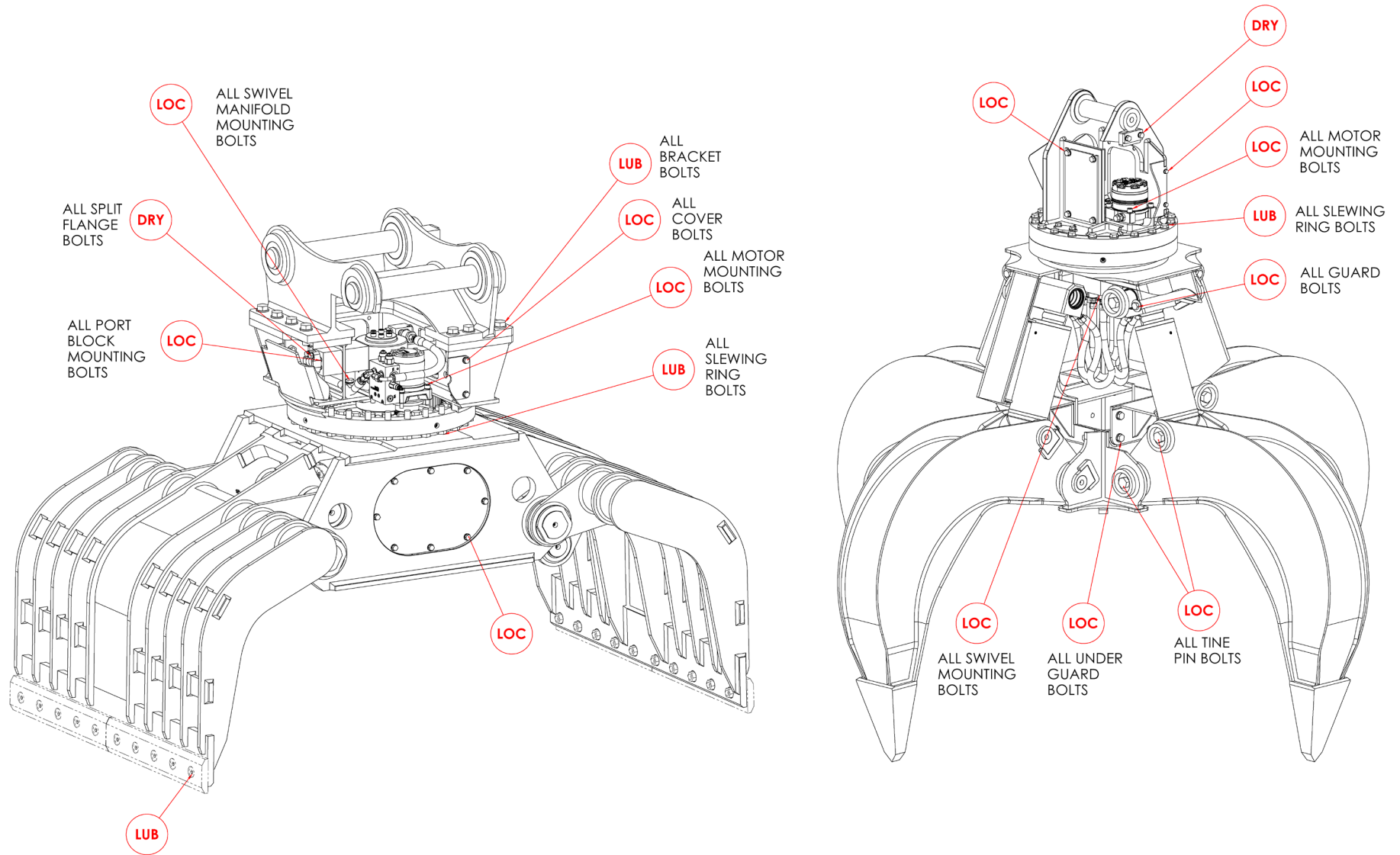
Never use an impact driver on a torque multiplier.

THREAD TREATMENT DIAGRAM

Grapples

Use this diagram to determine what thread treatment, if any, is required for each fastener.

For thread treatment application procedures, see page 25. For prescribed torque values, see page 27.



PROCEDURES

Reference the product Thread Treatment Diagrams on page 24 to determine which of the following procedures is required.

Cleaning

To ensure proper performance of thread treatment and accurate torque values, clean and degrease **all internal and external threads** prior to application of threadlocker, anti-seize or primer and before installation of hardware.

- Ensure both internal and external threads are free of dirt or debris.
- Use brake cleaner or similar cleaning solvent on all threads to remove any grease or oil.
- Allow threads to dry.

NOTICE

Failure to properly clean threads will cause threadlocker, primer, and/or anti-seize to not properly cure!

LOC

Threadlocker

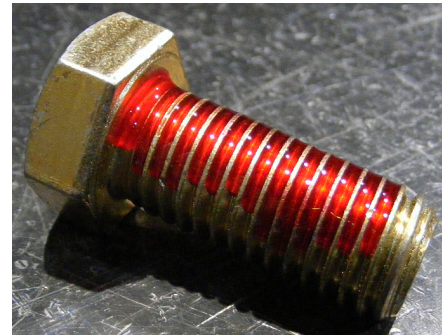
For bolted connections requiring threadlocker, use **Loctite 263** or equivalent applied using the following procedure:

- Clean and degrease all threads.
- For thru holes or nuts, apply threadlocker to bolt threads.
- For blind holes, apply stripe of threadlocker along the length of the hole (applying to the bolt can cause escaping air to remove threadlocker as the bolt is inserted).
- Torque bolt to specified **Wet Torque Value**, see page 27.

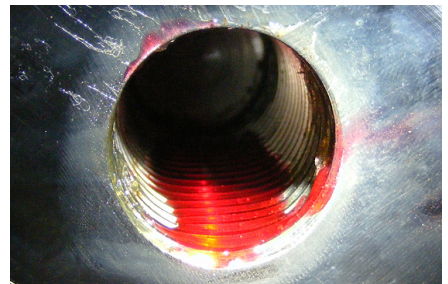
For threaded hydraulic fitting connections, use **Loctite 5452** or equivalent thread sealant in conjunction with **Loctite 7471** primer using the following procedure:

- Clean and degrease all threads.
- Apply Loctite 7471 primer to both external and internal threads and allow to dry.
- Apply threadlocker to 360 degrees of the threads on the male fitting, ensuring adequate coverage.
- Assemble fitting per directions in operator's manual.
- For O-ring boss and flat face O-ring connections, torque fittings to values specified on page 28.

Threadlocker



Blind Hole



Hydraulic Fitting



PROCEDURES

LUB

Anti-Seize

For bolted connections requiring anti-seize lubrication, use **Loctite LB8008** or equivalent using the following procedure:

- Clean and degrease all threads.
- Apply thin coat of anti-seize to internal and external threads and under bolt head and/or nut, ensuring complete coverage.
- Torque bolt to specified **Wet Torque Value**, see page 27.

Anti-Seize

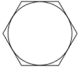
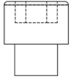
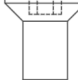


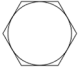
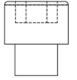
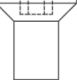
DRY

No Thread Treatment

- Clean and degrease all threads.
- Torque bolt to specified **Dry Torque Value**, see page 27.

BOLT TORQUE SPECIFICATIONS

Dry Torque Values					
		Hex/Socket Head		Flat Head	
		 			
Fastener Grade	Size x Pitch	Nm	Ft-lb	Nm	Ft-lb
CL 10.9	M8 x 1.25	35	26	27	20
	M10 x 1.50	71	53	58	42
	M12 x 1.75	124	92	101	73
	M14 x 1.50	200	148	163	118
	M14 x 2.00	200	148	163	118
	M16 x 2.00	311	230	254	184
	M20 x 1.50	610	450	498	360
	M20 x 2.50	608	449	497	359
	M24 x 3.00	1054	778	861	622
	M27 x 3.00	1543	1138	1260	910
	M30 x 3.50	2095	1545	1712	1236
	M36 x 4.00	3659	2699	2991	2159
8	1/4-20	14	11	11	8
	5/16-18	32	24	26	19
	3/8-16	59	44	48	35
	7/16-14	94	70	77	56
	1/2-13	143	106	116	84
	1/2-20	162	120	133	96
	5/8-11	287	212	234	169
	3/4-10	509	376	415	300
	7/8-9	821	606	670	484
	1.00-8	1232	909	1007	727
	1.00-14	1383	1020	1130	816
	1.25-7	2463	1817	2013	1453
8/L9	1.50-6	4287	3162	3504	2529

Wet Torque Values					
		Hex/Socket Head		Flat Head	
		 			
Fastener Grade	Size x Pitch	Nm	Ft-lb	Nm	Ft-lb
CL 10.9	M8 x 1.25	29	22	23	17
	M10 x 1.50	61	45	49	36
	M12 x 1.75	105	78	85	62
	M14 x 1.50	150	111	121	88
	M14 x 2.00	170	126	138	100
	M16 x 2.00	265	196	216	156
	M20 x 1.50	456	337	372	269
	M20 x 2.50	517	382	422	305
	M24 x 3.00	894	660	731	528
	M27 x 3.00	1312	968	1072	774
	M30 x 3.50	1779	1312	1453	1049
	M36 x 4.00	3110	2294	2542	1835
8	1/4-20	13	10	11	8
	5/16-18	27	20	22	16
	3/8-16	50	37	40	29
	7/16-14	80	59	65	47
	1/2-13	122	90	99	72
	1/2-20	138	102	112	81
	5/8-11	244	180	199	144
	3/4-10	433	320	354	256
	7/8-9	698	515	570	412
	1.00-8	1046	772	854	617
	1.00-14	1175	867	960	693
	1.25-7	2095	1545	1712	1236
8/L9	1.50-6	3644	2688	2979	2150

O-RING BOSS & FLAT FACE O-RING TORQUE SPECIFICATIONS

O-Ring Boss Torque Values		
Size Dash	Nm	Ft-lb
-4	22	16
-5	27	20
-6	36	26
-8	83	60
-10	110	80
-12	187	135
-14	249	180
-16	304	220
-20	387	280
-24	498	360

Flat Face O-Ring Torque Values		
Size Dash	Nm	Ft-lb
-4	18	13
-6	30	22
-8	60	44
-10	85	62
-12	121	88
-14	121	88
-16	160	116
-20	213	154
-24	274	198

BOLT DRIVE SPECIFICATIONS

Thread Size x Pitch	Hex Head	Socket Head	Flat Head
			
	Wrench/Drive Size		
M8 x 1.25	13mm	6mm	5mm
M10 x 1.50	17mm	8mm	6mm
M12 x 1.75	19mm	10mm	8mm
M14 x 1.50	22mm	12mm	10mm
M14 x 2.00	22mm	12mm	10mm
M16 x 2.00	24mm	14mm	10mm
M20 x 1.50	30mm	17mm	12mm
M20 x 2.50	30mm	17mm	12mm
M24 x 3.00	36mm	19mm	14mm
M27 x 3.00	41mm	19mm	-
M30 x 3.50	46mm	22mm	-
M36 x 4.00	55mm	27mm	-
1/4-20	7/16"	3/16"	5/32"
5/16-18	1/2"	1/4"	3/16"
3/8-16	9/16"	5/16"	7/32"
7/16-14	5/8"	3/8"	1/4"
1/2-13	3/4"	3/8"	5/16"
1/2-20	3/4"	3/8"	5/16"
5/8-11	15/16"	1/2"	3/8"
3/4-10	1-1/8"	5/8"	1/2"
7/8-9	1-5/16"	3/4"	9/16"
1.00-8	1-1/2"	3/4"	5/8"
1.00-14	1-1/2"	3/4"	5/8"
1.25-7	1-7/8"	7/8"	7/8"
1.50-6	2-1/4"	1"	1"

WARRANTY

Claim Procedure

Notify the Genesis Service Department of the potential warranty claim prior to making the repair. Digital pictures are very helpful for diagnosing problems and recommending repairs.

Contact the Genesis Service Department before making alterations, changes or repairs to any component that is going to be considered for warranty. Not doing so will void all Genesis warranty consideration.

The Genesis Service Department will issue an authorization number to track the repair costs, outgoing parts, and/or defective parts returning to the factory.

Replacement parts must be ordered using a purchase order number. Shipping is standard ground. Overnight shipping is available by request, and Genesis will not cover the shipping charge.

When the repair is complete, submit an invoice to the Genesis Service Department within 30 days. Include itemized internal labor reporting, parts lists and invoices for outside contractors. Reference the authorization number on all invoices.

When returning parts for warranty consideration, include a copy of any related Genesis paperwork along with any other necessary documentation to ensure proper processing and credit. The Genesis Service Department will provide the necessary forms.

Your account will be credited when the warranty claim is accepted.

Blade Warranty

Standard warranty on blades will only be considered on the first edge, and wear on the edge must be 1/8" radius or less. Genesis does not warranty cutting blades that are cracked or broken from top to bottom (perpendicular to the long edge of the blade). Genesis also does not cover fasteners, the labor to replace wear components or collateral damage, such as blade seats, from broken blades, the piercing blade tang or adjustment plates.

Please direct any questions to the Genesis Service Department: 715-395-5252

PARTS ORDER POLICY AND PROCEDURE

Parts Orders Should Include

- Purchase order number
- Model and serial number of attachment
- Part number and quantity needed
- Shipping and billing address
- Method of shipment or required delivery date

Placing Orders

Orders may be placed by phone or e-mail. To e-mail an order, use the form on the following page or your purchase order form. Contact information is located at the front of this manual.

Part Numbers

Part numbers are listed in a separate Parts Manual or, if included, the Parts section of this manual. Contact the Genesis Parts Department with questions regarding part numbers, availability and pricing.

Shipping

All orders will be shipped best way surface unless an alternate shipping method is requested. Shipping charges are not included in the purchase price of parts.

Invoices

All invoices are due upon receipt. Any accounts with invoices open beyond 60 days are subject to review and may be placed on C.O.D. status without further notice.

Returns

Many unused Genesis parts may be returned with proper documentation. Return shipping is the responsibility of the purchaser. Credit will be issued upon return, less a 25% restocking fee. Documentation is required for credit of returned parts. Contact the Genesis Service Department at 715-395-5252 for an RGA (Return Goods Authorization) number and form. An RGA must accompany every return. Items shipped without an RGA may be returned to sender.

Warranty Returns

All parts returned to Genesis for warranty consideration must be returned with a completed RGA (Return Goods Authorization) provided by the Genesis Service Department. The form needs to be completed in its entirety, including any additional information requested by the Service Department. Return shipping is the responsibility of the sender and will be credited upon claim approval. A determination to accept or deny the claim will be made based upon the information available to Genesis. Warranty on purchased parts other than wear components is 6 months. Genesis does not cover labor costs to replace purchased parts replaced under warranty. There is no warranty period on wear parts or components.



PARTS ORDER FORM

Customer: _____ Date: _____

Phone: _____ Contact: _____

Shipping Address: _____ E-mail: _____

Billing Address: _____

Purchase Order: _____ Shipping Method: _____

Model: _____ Serial Number: _____

Quantity	Part Number	Description	Price

E-mail to the Genesis Parts Department: genesisparts@genesisattachments.com
For assistance, call 715-395-5252

INDEX

1-1/4" Split Flange Kit - Code 62 - M12	22	6310183 Adaptor 08MB-08MB	19
1-1/4" Split Flange Kit - Code 62 - M14	22	6350116 Assy Swivel Manifold	21
1" Split Flange Kit - Code 61 - M10	22	6350120 Sub-Assy Cyl B5.0 R3.0 S14.25	15
1" Split Flange Kit - Code 62 - M10	22	6360102 Valve Rotate Cross-over / C'bal	21
1" Split Flange Kit - Code 62 - M12	22	6380083 Motor	21
3.50" Cap Seal	11	Assembly Blade Kit	8, 9
3.50" Energizer	11	Assembly Cylinder B5.0 R3.0 S14.25 - 6350134	12, 13
3.50" Excluder Seal	11	Assembly Grapple Perforated - 2200862	4, 5
3.50" U-Cup Seal	11	Assembly Grapple Ribbed Tine	6, 7
3.50" Wear Ring	11	Assembly Hydraulic - 2200861	14, 15
.38 x 1.00 Coiled Spring Pin	11	Assembly Lugs	16, 17
2200773 Hose	15	Assembly Sub-Head	20, 21
2200778 Mach Pin Keeper 3.00	5, 7	Assembly Swivel - 6350116	10, 11
2200791 Wtmg Sub-Head Flat Top (Bolt-on)	21	Bar Strap	17
2200799 Mach Port Block	21	Blade Kit 2200908	9
2200832 Hose	21	Bolt Drive Specifications	29
2200846 Plt Frmd Hose Guard	21	Bolt Torque Specifications	23, 27
2200863 Wtmg Frame	5, 7	Bracket Fasteners	17
2200872 Mach Side Cover	5, 7	BU Ring	13
2200874 Mach Drag Link	5, 7	Bushing 3 x 2.5 x 2	13
2200876 Mach Tine Blade End 3 Piece	9	Contact Information	2, 35
2200878 Mach Tine Blade Center 3 Piece	9	F0110020 Hex Head Capscrew M10 x 1.50 x 20 CI 10.9	DIN931 21
2200880 Mach Bearing 2.999 x 2.511 x 2.00 Lg	5, 7	F0110035 Hex Head Capscrew M10 x 1.50 x 35	22
2200881 Mach Bearing 3.499 x 3.012 x 3.00 Lg	5, 7	F0110040 Hex Head Capscrew M10 x 1.50 x 40	22
2200882 Mach Pin 3.00 Dia x 6.25 Lg	5, 7	F0112020 Hex Head Capscrew M12 x 1.75 x 20 CI 10.9	DIN 5, 7
2200883 Mach Pin 2.50 Dia x 6.25 Lg	5, 7	F0112025 Hex Head Capscrew M12 x 1.75 x 25 CI 10.9	DIN931 21
2200884 Mach Pin 2.50 Dia x 10.75 Lg	5, 7	F0112040 Hex Head Capscrew M12 x 1.75 x 40	22
2200885 Mach Pin 2.50 Dia x 20.125 Lg	5, 7	F0112050 Hex Head Capscrew M12 x 1.75 x 50	21, 22
2200887 Wtmg Tine 3 Bore Perforated	7	F0114050 Hex Head Capscrew M14 x 2.00 x 50	22
2200888 Wtmg Tine 2 Bore Perforated	7	F0116035 Hex Head Capscrew M16 x 2.00 x 35 CI 10.9	DIN931 21
2200906 Mach Pin Keeper 2.50	5, 7	F0116040 Hex Head Capscrew M16 x 2.0 x 40 CI 10.9	DIN931 21
2200909 Wtmg Tine 3 Bore Perforated	5	F0120090 Hex Head Capscrew M20 x 2.50 x 90 CI 10.9	DIN931 21
2200910 Wtmg Tine 2 Bore Perforated	5	F0575200 Flat Head Capscrew 3/4 - 10 x 2 Grade 8	Black 9
3501835 Mach Spacer	21	F0610025 Socket Head Capscrew M10 x 1.50 x 25 CI	10.9 DIN912 21
3502188 Hose	21	F0612060 Socket Head Capscrew M12 x 1.75 x 60 CI	10.9 DIN912 21
3502190 Plt Cover Sub-Head	21	F0612190 Socket Head Capscrew M12 x 1.75 x 190 CI	10.9 DIN912 21
3502191 Plt Cover ROT Bolts	21	F0731250 Socket Head Capscrew 5/16 - 18 x 2 1/2 Grade	9 21
3502192 Pinion Motor	21	F0907510 Hex Nut 3/4 - 10 Grade 8 Black	9
5512411 Mach Grease Bulkhead Adapter	21	F1016200 Nylock Hex Nut M16 x 2.0	21
5512419 Mach Slewing Ring Grease Adapter	21	F1201021 Flat Washer M10	21
6100397 Bearing Slewing	21	F1201224 Flat Washer M12	21
6200002 Grease Fitting 1/8 - 27 NPT	5, 7, 21	F1201224 Flat Washer M12 DIN 6916 (24x3) Class	10 5, 7
6200084 Snap Ring 3.00 Dia x 0.093T External	5, 7		
6200086 Snap Ring 2.50 Dia x 0.078T External	5, 7		
6300054 Plug Socket Head 08MB	21		
6300305 Adapter 10MB-08MFFOR-90	21		
6300361 Valve Flow Control	19		
6300364 Filter	19		
6300441 Adapter 12MB-12MO	15		
6300497 Adaptor Bulkhead 08MB-08MO	19		
6300609 Valve Line Body	19		
6300731 Adapter 02MP-04MO	21		
6301202 Flow Control Sub-Assembly	21		
6310036 Adapter 12MB-12MO-90	15		

INDEX

F1201630 Flat Washer M16 21
F1401000 Lock Washer M10 22
F1401200 Lock Washer M12 21, 22
F1401400 Lock Washer M14 22
Gland 13
Grease Fitting 13
H0261100 Split Flange Half 1.00 Code 61 22
H0262100 Split Flange Half 1.00 Code 62 21, 22
H0262125 Split Flange Half 1.25 Code 62 22
H0362100 Split Flange Plug 1.00 Code 62 21
Hex Head Capscrew 17
Housing 11
Housing Assembly 13
M10 Split Lock Washer 11
M10 x 1.50 x 30C10.9 HHCS 11
M10 x 1.50 x 80C10.9 HHCS 11
M12 Hi-Collar Lock Washer 11
M12 x 1.75 x 35 SHCS 11
Mach Pin Keeper 17
Mach Spacer Sleeve 17
Mounting Plate 11
Nylon Plug 13
O-Ring 11, 13
O-Ring Boss & Flat Face O-Ring Torque Specifications 28
Parts Order Form 32
Parts Order Policy and Procedure 31
Piston 13
Piston Seal 13
Procedures 25, 26
Rod Assembly 13
Rod Seal 3.125 2.75 0.375 13
Rod Shield 13
S0190015 O-Ring 21
S0190219 O-Ring 21, 22
S0190222 O-Ring 22
Seal Kit 6300634 19
Set Screw 1/4 - 20 13
SHCS 1/2 - 13 x 2.25 13
SHCS 3/8 - 16 x 3/4 13
Shield Guide 13
Split Flange Kits Used in This Manual 22
Spool 11
Spool Plate 11
Stick Pin Decal 17
Sub-Assembly Line Mount Manifold 18, 19
Table of Contents 3
Thread Treatment Diagram 24
Thrust Washer 11
Torque Arm 11
Warranty 30
Washer 17
Wear Ring 4.00 3.75 1.00 13
Wear Ring, Rod 13
Wiper 13
Wldt Link Pin 17
Wldt Stick Pin 17
Wtmg Lugs 17
Zero-Leak Plug 10 11



GENESIS®

The Promise of Performance.

CONTACT INFORMATION

Genesis Attachments

1000 Genesis Drive
Superior, WI 54880 USA

Toll Free: 888-SHEAR-IT
(888-743-2748)

Phone: 715.395.5252

E-mail:
info@genesisattachments.com

Europe/Africa/Middle East Genesis GmbH

Teramostrasse 23
87700 Memmingen, Germany

Phone: +49 83 31 9 25 98 0

Fax: +49 83 31 9 25 98 80

genesis-europe.com

E-mail:
info@genesis-europe.com

Asia Pacific Representative Office

24 Upper Serangoon View #12-28
Singapore 534205

Phone: +65 9673 9730

E-mail:
tchoo@genesisattachments.com

Central America & Colombia

Cra 13A #89-38 / Ofi 613
Bogota, Colombia

Phone: +57 1 610 8160 / 795 8747

E-mail:
contact@themsagroup.com

View and download all manuals: genesisattachments.com/manuals
Patents: genesisattachments.com/products/patents