

Razer Demolition Tool (GDT 190 - 890)

PARTS MANUAL



CONTACT INFORMATION

Genesis Attachments

1000 Genesis Drive
Superior, WI 54880 USA

Toll Free: 888-SHEAR-IT
(888-743-2748)

Phone: 715.395.5252

E-mail:
info@genesisattachments.com

Europe/Africa/Middle East Genesis GmbH

Teramostrasse 23
87700 Memmingen, Germany

Phone: +49 83 31 9 25 98 0
Fax: +49 83 31 9 25 98 80
genesis-europe.com

E-mail:
info@genesis-europe.com

Asia Pacific Representative Office

24 Upper Serangoon View #12-28
Singapore 534205

Phone: +65 9673 9730

E-mail:
tchoo@genesisattachments.com

Central America & Colombia

Cra 13A #89-38 / Ofi 613
Bogota, Colombia

Phone: +57 1 610 8160 / 795 8747

E-mail:
contact@themsagroup.com

View and download all manuals: genesisattachments.com/manuals
Patents: genesisattachments.com/products/patents

TABLE OF CONTENTS

CONTACT INFORMATION	2
GENERAL ARRANGEMENT	4
ASSEMBLY PIVOT GROUP	6
ASSEMBLY BLADE KIT - GDT 190 - 590	8
ASSEMBLY BLADE KIT - GDT 890	10
ASSEMBLY CYLINDER PINS	12
ASSEMBLY LUGS	14
ASSEMBLY CYLINDER	16
GDT 190 & 290 REGEN BLOCK SUB-ASSEMBLY 6301255	18
GDT 390 REGEN BLOCK SUB-ASSEMBLY 6301254	20
GDT 590 & 890 REGEN BLOCK SUB-ASSEMBLY 6360120	22
ACCESS COVERS	24
GDT 190 & 290 ASSEMBLY SUB-HEAD	26
GDT 390 ASSEMBLY SUB-HEAD	28
GDT 590 ASSEMBLY SUB-HEAD	30
GDT 890 ASSEMBLY SUB-HEAD	32
SUB-ASSEMBLY LINE MOUNT MANIFOLD	34
GDT 190 & 290 ASSEMBLY SWIVEL MANIFOLD	36
GDT 390 ASSEMBLY SWIVEL MANIFOLD	38
GDT 590 & 890 ASSEMBLY SWIVEL MANIFOLD	40
SPLIT FLANGE KITS USED IN THIS MANUAL	42
BOLT TORQUE SPECIFICATIONS	43
THREAD TREATMENT DIAGRAM	44
Processors.....	44
PROCEDURES	45
Cleaning.....	45
Threadlocker.....	45
Anti-Seize.....	46
No Thread Treatment.....	46
BOLT TORQUE SPECIFICATIONS	47
Dry Torque Values.....	47
Wet Torque Values.....	47
O-RING BOSS & FLAT FACE O-RING TORQUE SPECIFICATIONS	48
BOLT DRIVE SPECIFICATIONS	49
WARRANTY	50
Claim Procedure.....	50
Blade Warranty.....	50
PARTS ORDER POLICY AND PROCEDURE	51
Parts Orders Should Include.....	51
Placing Orders.....	51
Part Numbers.....	51
Shipping.....	51
Invoices.....	51
Returns.....	51
Warranty Returns.....	51
PARTS ORDER FORM	52
INDEX	53
CONTACT INFORMATION	57

GENERAL ARRANGEMENT



GENERAL ARRANGEMENT

ITEM	QTY	PART NUMBER					DESCRIPTION
		GDT 190	GDT 290	GDT 390	GDT 590	GDT 890	
1	1	*	*	*	*	*	Wtmg Stick
2	1	*	*	*	*	*	Wtmg Upper
3		See page 26	See page 26	See page 28	See page 30	See page 32	Assembly Sub-Head
4		*					Assembly Lugs
5		See page 12					Assembly Cylinder Pins
6		See page 6					Assembly Pivot Group
7		See page 8					Assembly Blade Kit

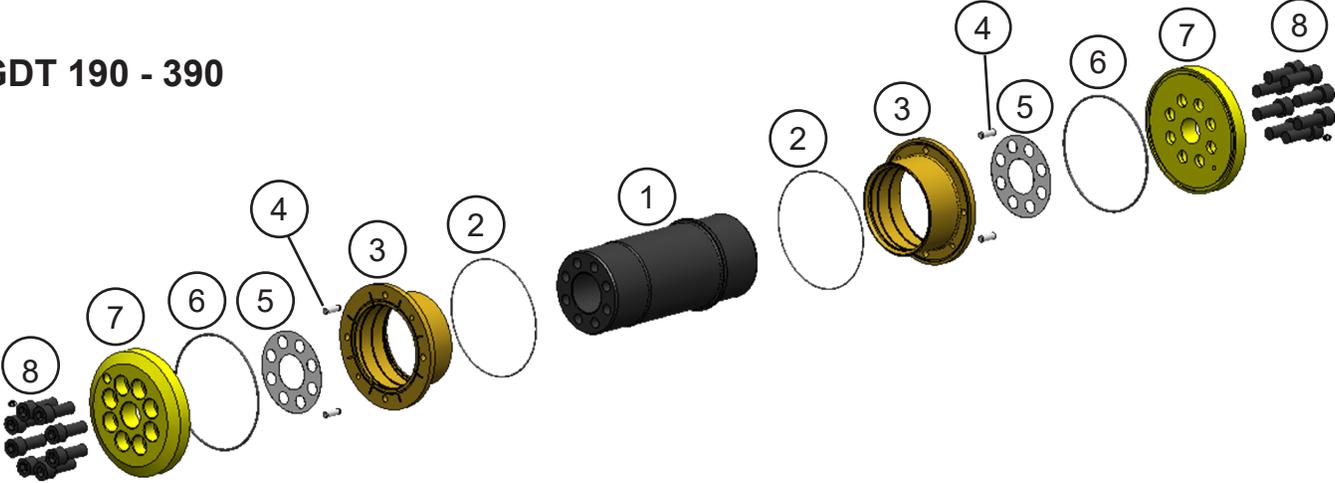
* Part numbers are Serial Number specific. For replacement parts call the Genesis Parts Department.

USA
715-395-3488

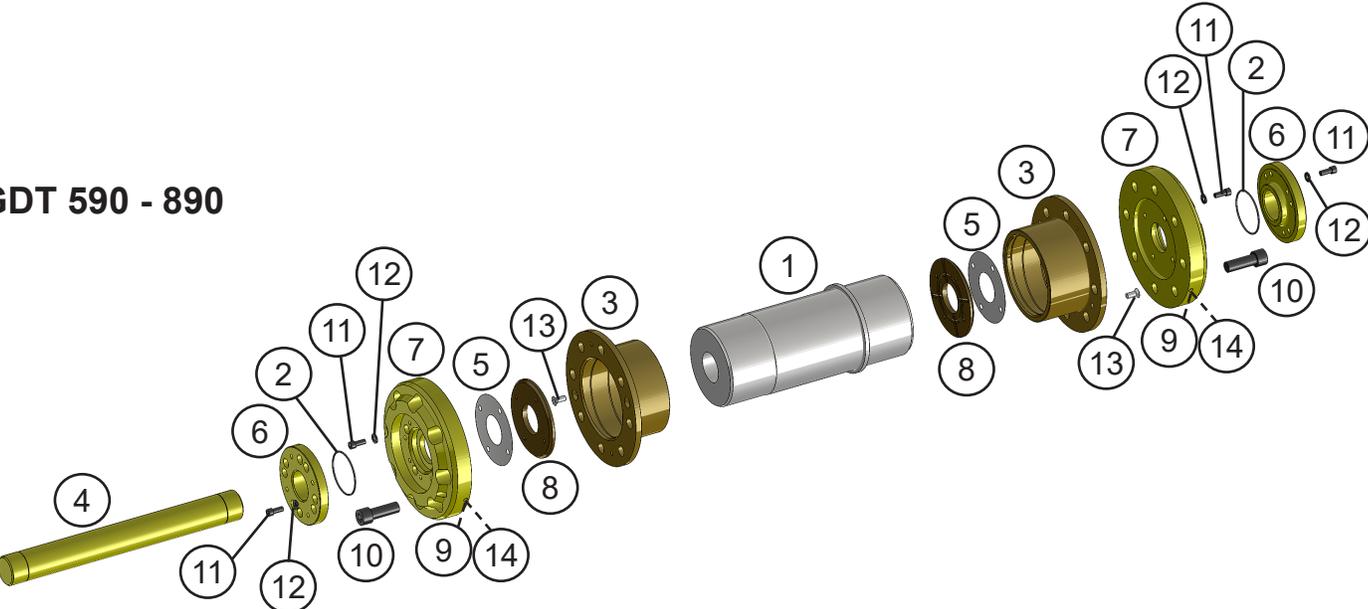
Europe
+49 83 31 9 25 98 0

ASSEMBLY PIVOT GROUP

GDT 190 - 390



GDT 590 - 890



ASSEMBLY PIVOT GROUP

ITEM	QTY	PART NUMBER			DESCRIPTION
		GDT 190	GDT 290	GDT 390	
1	1	*	*	*	Mach Main Shaft
2	2	S0190270	S0190270	S0190274	O-Ring
3	2	3501100	3501100	3501760	Mach Bearing
4	4	6300134	6300134	6300134	Mach Dowel
5	2	3500360	3500360	3501761	Shim Set
6	2	S0190372	S0190372	S0190376	O-Ring
7	2	3501099	3501099	3501812	Mach End Cap
8	16	F0624060	F0624060	F0624060	Socket Head Capscrew M24 x 3 x 60
9	2	6200002	6200002	6200002	Grease Fitting

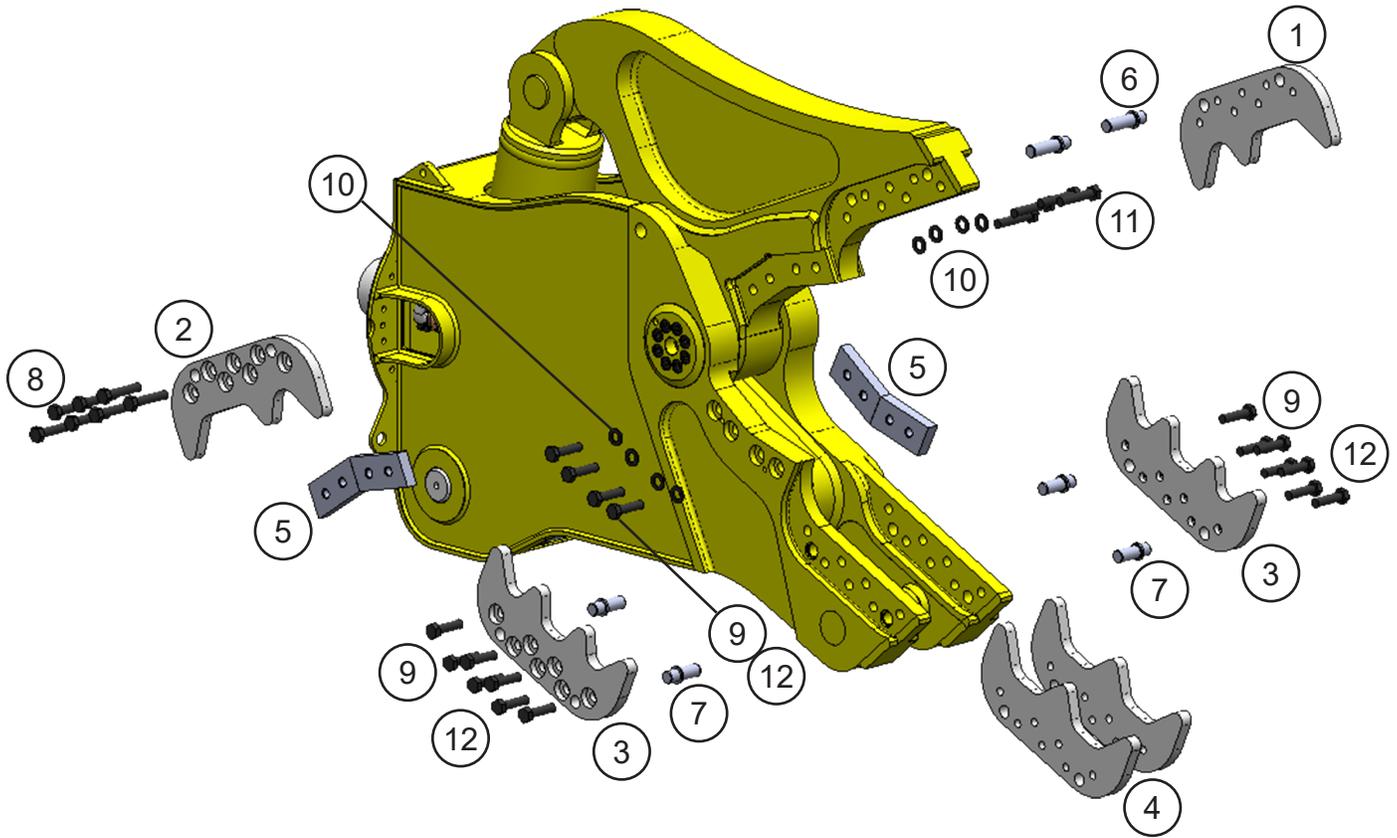
ITEM	QTY	PART NUMBER		DESCRIPTION
		GDT 590	GDT 890	
1	1	3502724	3503477	Mach Main Shaft
2	2	S0190244	S0190244	O-Ring
3	2	3502723	3503476	Mach Bearing
4	1	3502727	3503479	Mach Tie Rod
5	2	1102448	1102448	Shim Set
6	2	3502719	3502719	Mach Tie Rod Nut
7	2	3502717	3502717	Mach End Cap
8	2	3502716	3502716	Mach Thrust Washer
9	2	6200002	6200002	Grease Fitting - installed in #7
10	16	F0627080	F0627080	Socket Head Capscrew M27 x 3 x 80
11	16	F0612030	F0612030	Socket Head Capscrew M12 x 1.75 x 30
12	16	F1201224	F1201224	Flat Washer M12
13	4	F0412030	F0412030	Flat Head Cap Screw M12 x 1.75 x 30
14	2	F2512012	F2512012	Socket Head Set Screw M12 x 1.75 x 12 - installed in #7

* Part numbers are Serial Number specific. For replacement parts call the Genesis Parts Department.

USA
715-395-3488

Europe
+49 83 31 9 25 98 0

ASSEMBLY BLADE KIT - GDT 190 - 590



ASSEMBLY BLADE KIT - GDT 190 - 590

ITEM	QTY	PART NUMBER			DESCRIPTION
		GDT 190	GDT 290	GDT 390	
1	1	3502156	3502088	3502293	Mach Tooth Upper LH
2	1	3502158	3502086	3502291	Mach Tooth Upper RH
3	2	3502154	3502094	3502297	Mach Tooth Lower Outside
4	2	3502152	3502090	3502295	Mach Tooth Lower Inside
5	4	3502149	3502013	3502299	Mach Blade
6	2	3502121	3502101	3502287	Mach Pin Teeth Upper
7	4	3502122	3502102	3502288	Mach Pin Teeth Lower
8	7	F0124130*	F0127130*	F0127130*	Hex Head Capscrew
9	18	F0124100**	F0127100**	F0127120**	Hex Head Capscrew
10	8	F1202444	F1202750	F1202750	Washer
11	4	F0124130***	F0127130***	F0127160***	Hex Head Capscrew

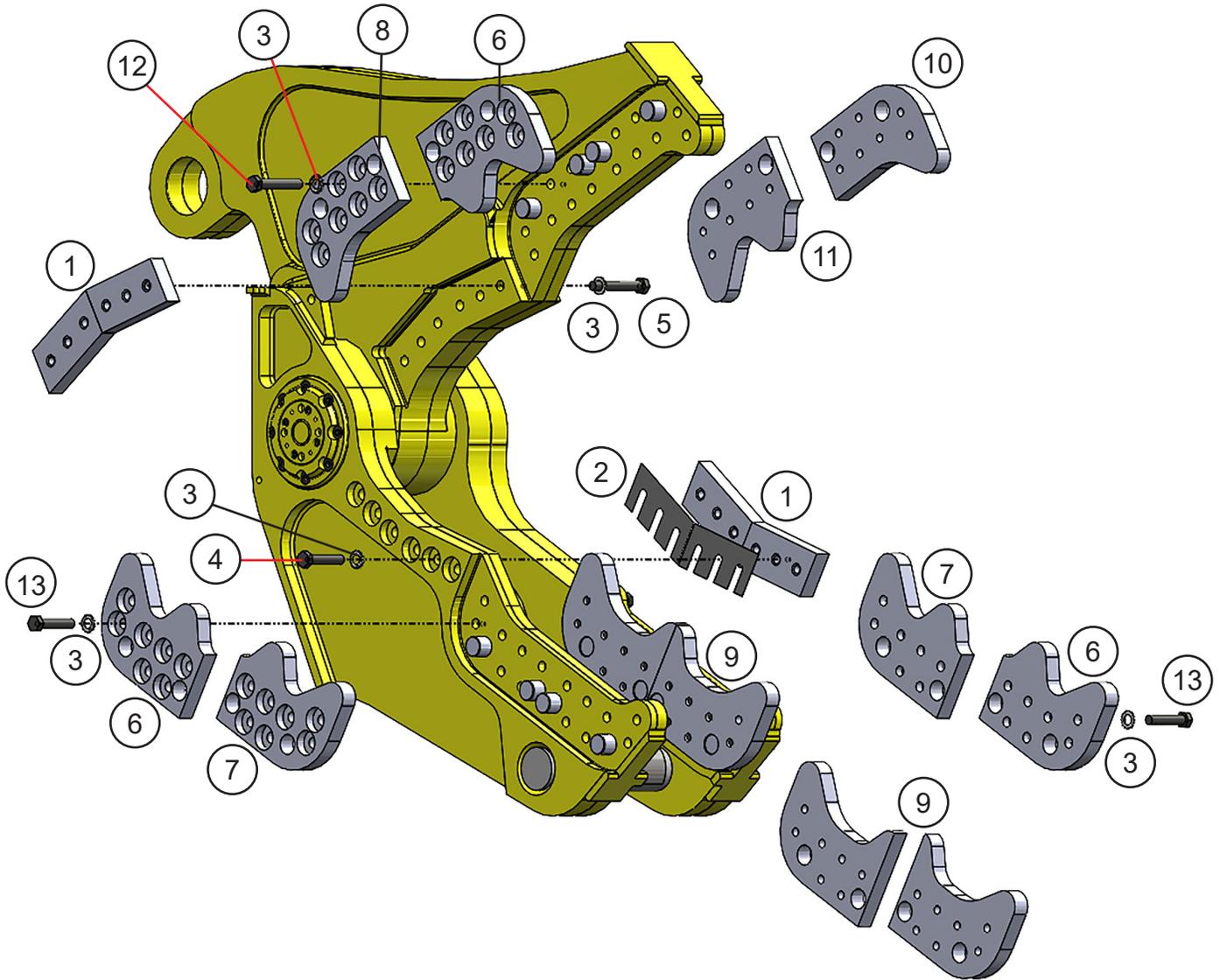
* GDT 190 M24 x 3 x 130, GDT 290 & 390 M27 x 3 x 130

** GDT 190 M24 x 3 x 100, GDT 290 M27 x 3 x 100, GDT 390 M27 x 3 x 120

*** GDT 190 M24 x 3 x 130, GDT 290 M27 x 3 x 130, GDT 390 M27 x 3 x 160

ITEM	QTY	PART NUMBER	DESCRIPTION
		GDT 590	
1	1	3502740	Mach Tooth Upper LH
2	1	3502736	Mach Tooth Upper RH
3	2	3502738	Mach Tooth Lower Outside
4	2	3502741	Mach Tooth Lower Inside
5	4	3502705	Mach Blade
6	2	3502721	Mach Pin Teeth Upper
7	4	3502722	Mach Pin Teeth Lower
8	7	F0130190	Hex Head Capscrew M30 x 3.5 x 190
9	14	F0130150	Hex Head Capscrew M30 x 3.5 x 150 Lower Teeth Bolts only
10	12	F1202444	Washer
11	6	F0124200	Hex Head Capscrew M24 x 3 x 200 Upper Blade Bolts
12	6	F0124140	Hex Head Capscrew M24 x 3 x 140 Lower Blade Bolts

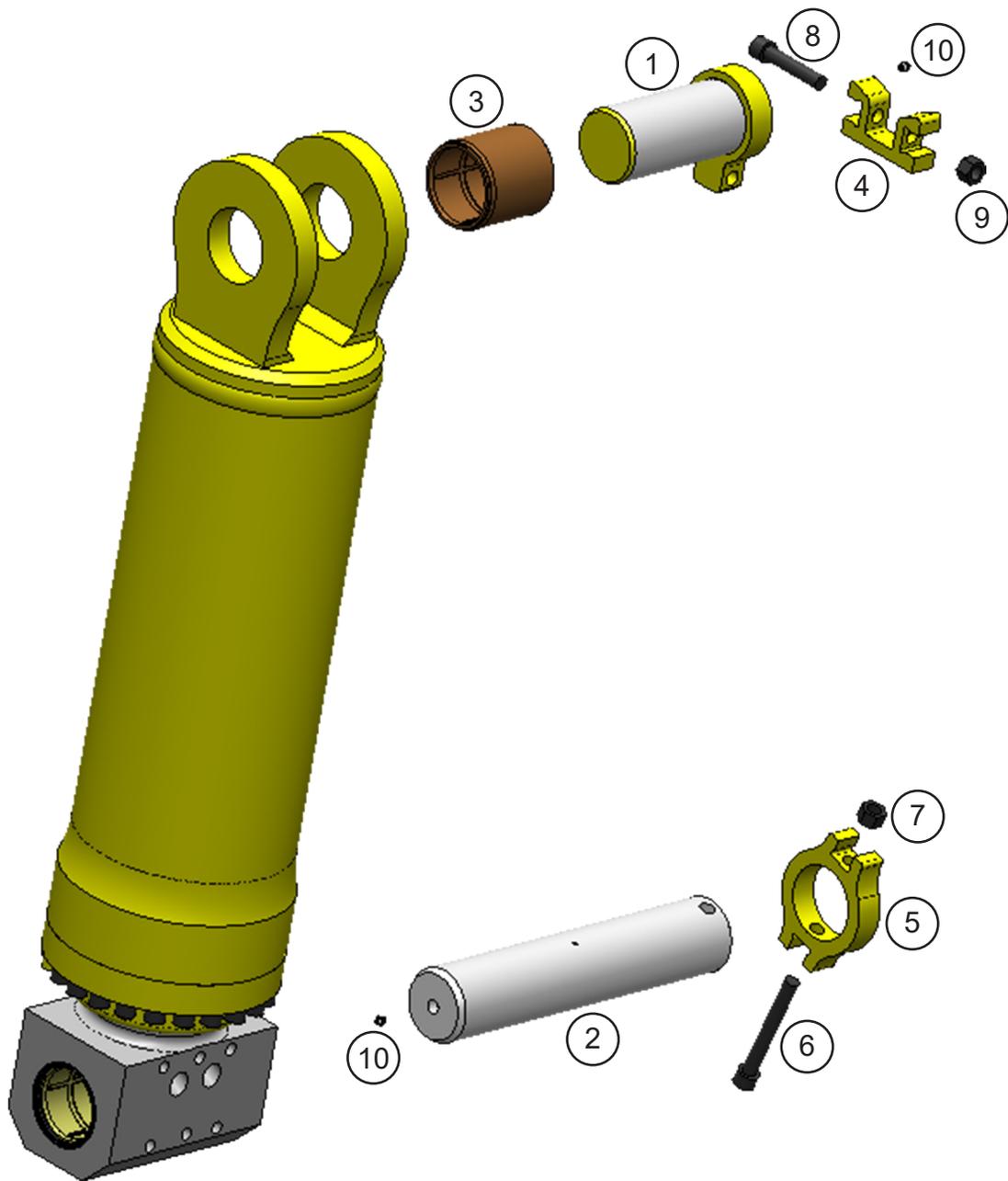
ASSEMBLY BLADE KIT - GDT 890



ASSEMBLY BLADE KIT - GDT 890

ITEM	QTY	PART NUMBER	DESCRIPTION
1	4	3503647	Mach Blade
2	2	3503496	Shim Set Blade
3	54	F2803300	Washer
4	6	F0213575	Hex Head Capscrew 1¼ x 7 x 5.75
5	6	F0213825	Hex Head Capscrew 1¼ x 7 x 8.25
6	3	3503509	Mach Tooth RH C'Bore 2pt
7	2	3503510	Mach Tooth LH C'Bore 2pt
8	1	3503513	Mach Tooth LH C'Bore 1pt
9	4	3503648	Mach Tooth RH Tapped 1.5pt
10	1	3503645	Mach Tooth Tapped 1pt
11	1	3503646	Mach Tooth Tapped 2pt
12	14	F0213750	Hex Head Capscrew 1¼ x 7 x 7.50
13	28	F0213600	Hex Head Capscrew 1¼ x 7 x 6.00

ASSEMBLY CYLINDER PINS



ASSEMBLY CYLINDER PINS

ITEM	QTY	PART NUMBER			DESCRIPTION
		GDT 190	GDT 290	GDT 390	
1	1	3502115	3501988	3500637	Wldt Upper Cyl Pin
2	1	3502117	3501987	3502285	Mach Pin Rear Cyl Pin
3	1	3502114	3501986	3100133	Mach Upper Cyl Bearing
4	1	3501246	3500350	3500350	Mach Pin Keeper
5	1	3500831	3500309	1103607	Mach Pin Keeper
6	1	F0616150*	F0620160*	F0620180*	Socket Head Capscrew
7	1	F1016200**	F1020250**	F1020250**	Nylock Hex Nut
8	1	F0612070***	F0620100***	F0620100***	Socket Head Capscrew
9	1	F1012175****	F1020250****	F1020250****	Nylock Hex Nut
10	2	6200002	6200002	6200002	Grease Fitting

* GDT 190 M16 x 2 x 150, GDT 290 M20 x 2.5 x 160, GDT 390 M20 x 2.5 x 180

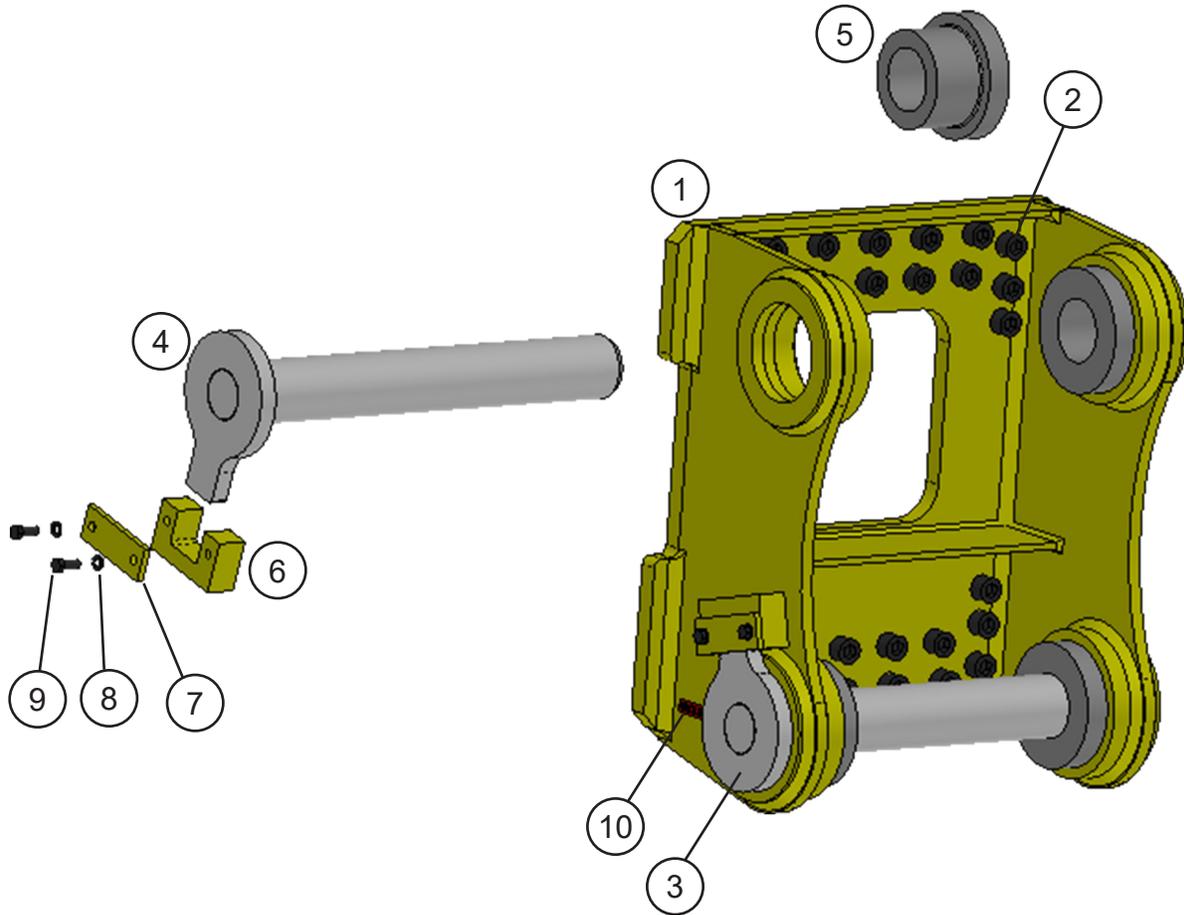
** GDT 190 M16 x 2, GDT 290 & 390 M20 x 2.5

*** GDT 190 M12 x 1.75 x 70, GDT 290 & 390 M20 x 2.5 x 100

**** GDT 190 M12, GDT 290 & 390 M20 x 2.5

ITEM	QTY	PART NUMBER		DESCRIPTION
		GDT 590	GDT 890	
1	1	3502732	3503485	Wldt Upper Cyl Pin
2	1	3502731	3503489	Mach Pin Rear Cyl Pin
3	1	3502730	1106664	Mach Upper Cyl Bearing
4	1	3500350	1102487	Mach Pin Keeper
5	1	3502725	1106675	Mach Pin Keeper
6	1	F0620200		Socket Head Capscrew M20 x 2.5 x 200
	1		F0620230	Socket Head Capscrew M20 x 2.5 x 230
7	1	F1020250	F1020250	Nylock Hex Nut
8	1	F0620100		Socket Head Capscrew M20 x 2.5 x 100
	1		F0620130	Socket Head Capscrew M20 x 2.5 x 130
9	1	F1020250	F1020250	Nylock Hex Nut
10	2	6200002	6200002	Grease Fitting

ASSEMBLY LUGS



ASSEMBLY LUGS

ITEM	QTY	PART NUMBER	DESCRIPTION
		GDT 190 - 890	
1	1	**	Wtmg Lugs
2	*	**	Bracket Fasteners
3	1	**	Wldt Stick Pin
4	1	**	Wldt Link Pin
5	*	**	Mach Spacer Sleeve
6	2	**	Mach Pin Keeper
7	2	**	Bar Strap
8	4	**	Washer
9	4	**	Hex Head Capscrew
10	1	**	Stick Pin Decal

* Quantity is dependent upon the bracket.

** Part numbers are Serial Number specific. For replacement parts call the Genesis Parts Department.

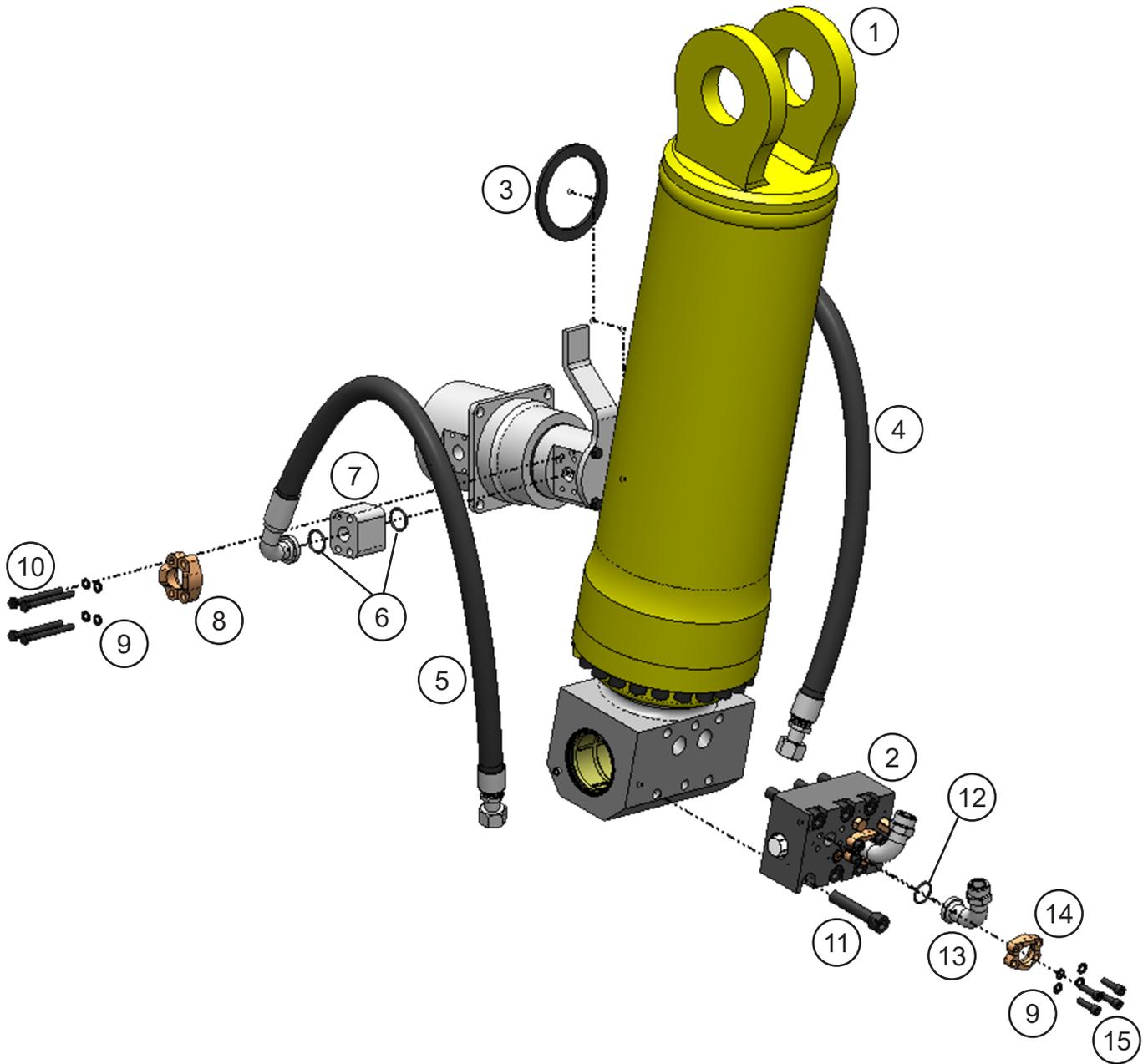
USA

715-395-3488

Europe

+49 83 31 9 25 98 0

ASSEMBLY CYLINDER



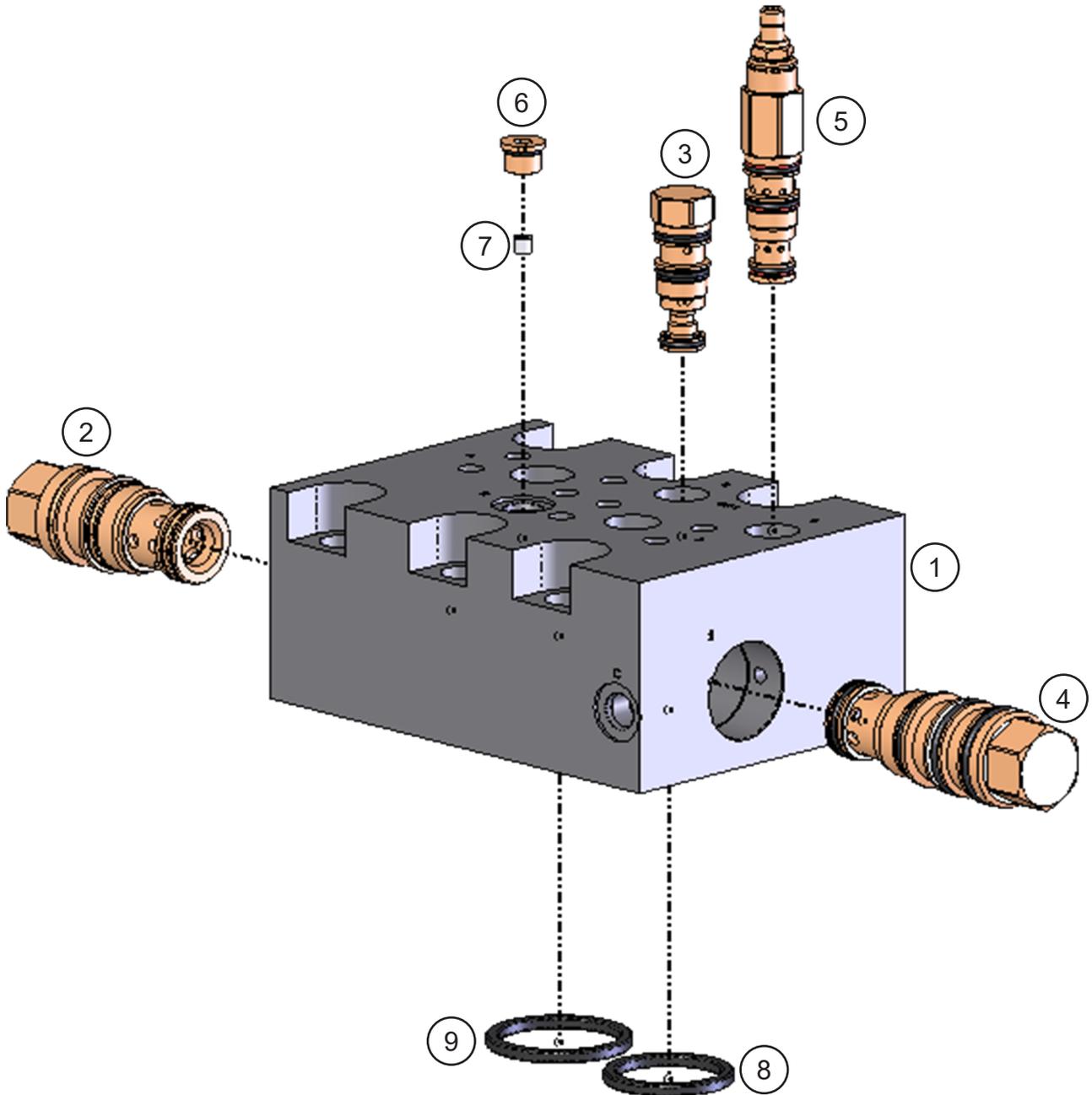
ASSEMBLY CYLINDER

ITEM	QTY	PART NUMBER			DESCRIPTION
		GDT 190	GDT 290	GDT 390	
1	1	6350114	6350102	6350126	Hydraulic Cylinder
	1	Contact the Genesis Parts Department			Cylinder Seal Kit
2	1	6301255	6301255	6301254	Valve - GenFlow
3	1	3501997	3501997	3501997	Swivel Gasket
4	1	3502120 3502582*	3502103 3502580**	3502290 3502584***	Hose
5	1	3502119 3502581*	3501995 3502579**	3502289 3502583***	Hose
6	4	S0190219	S0190219	S0190219	O-Ring
7	2	6310199	6310191	6310191	Mach Port Spacer
8	4	H0262100	H0262100	H0262100	Split Flange Half 1.00 Code 62
9	16	F1401000	F1401000	F1401000	Lock Washer M10
10	8	F0110100	F0110110	F0110110	Hex Head Capscrew M10 x 1.5 x 100/110
11	6	F0620100	F0620100	F0620100	Socket Head Capscrew M20 x 2.5 x 100
12	2	S0190219	S0190219	S0190219	O-Ring
13	2	6310004	6310004	6310004	Adapter
14	4	H0261100	H0261100	H0261100	Split Flange Half 1.00 Code 61
15	8	F0610035	F0610035	F0610035	Socket Head Capscrew M10 x 1.5 x 35

* SN190127 and below ** SN290131 and below *** SN390112 and below

ITEM	QTY	PART NUMBER		DESCRIPTION
		GDT 590	GDT 890	
1	1	6350153	6350170	Hydraulic Cylinder
	1	Contact the Genesis Parts Department		Cylinder Seal Kit
2	1	6360120	6360120	Valve - GenFlow
3		NA	NA	Swivel Gasket
4	1	3503394	3503491	Hose
5	1	3502806	3503492	Hose
6	4	S0190222	S0190225	O-Ring
7	2	6310256	3503490	Mach Port Spacer
8	4	H0262125		Split Flange Half 1.25 Code 62
	4		H0262150	Split Flange Half 1.50 Code 62
9	16	F1401200		Lock Washer M12
	16		F1900063	Wedge Lock Washer 5/8"
10	8	F0112130		Hex Head Capscrew M12 x 1.75 x 130
	8		F0116170	Hex Head Capscrew M16 x 2.0 x 170
11	6	F0620100	F0620100	Socket Head Capscrew M20 x 2.5 x 100
12	2	S0190222	S0190222	O-Ring
13	2	6310361	6310361	Adapter
14	4	H0262125	H0262125	Split Flange Half 1.25 Code 61
15	4	F0112050	F0112050	Socket Head Capscrew M12 x 1.75 x 50

GDT 190 & 290 REGEN BLOCK SUB-ASSEMBLY 6301255



GDT 190 & 290 REGEN BLOCK SUB-ASSEMBLY 6301255

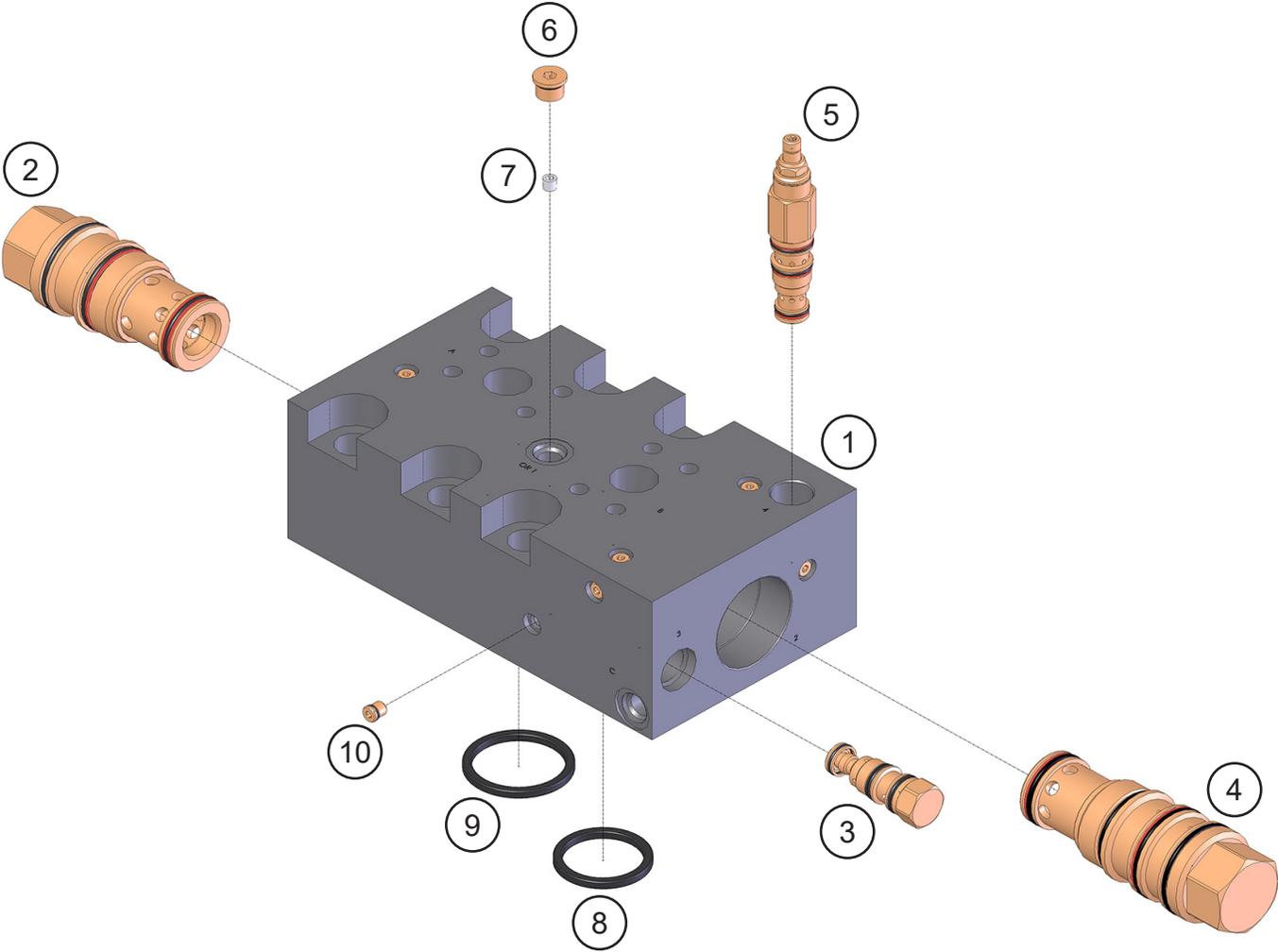
ITEM	QTY	PART NUMBER	DESCRIPTION
1	1	*	Mach Regen Manifold Seal Kit SK00043
2	1	6380209	Valve Check COHA-XCV Seal Kit SK00026
3	1	6300621	Valve Shuttle CSAB-XXV Seal Kit 6300622
4	1	6380038	Valve Logic DKHS-XHV Seal Kit SK00026
5	1	6300625	Valve PSI Reducer PRDB-LWV Seal Kit 6300622
6	1	6300153	Plug Socket Head 06MB
7	1	6300903	Mach Orifice
8	1	6300638	O-Ring 1p-3705 High PSI Seal 2.0 OD
9	1	6300723	O-Ring 1p-3705 High PSI Seal 2.25 OD

* Part number is Serial Number specific. For replacement parts call the Genesis Parts Department.

USA
715-395-3488

Europe
+49 83 31 9 25 98 0

GDT 390 REGEN BLOCK SUB-ASSEMBLY 6301254



GDT 390 REGEN BLOCK SUB-ASSEMBLY 6301254

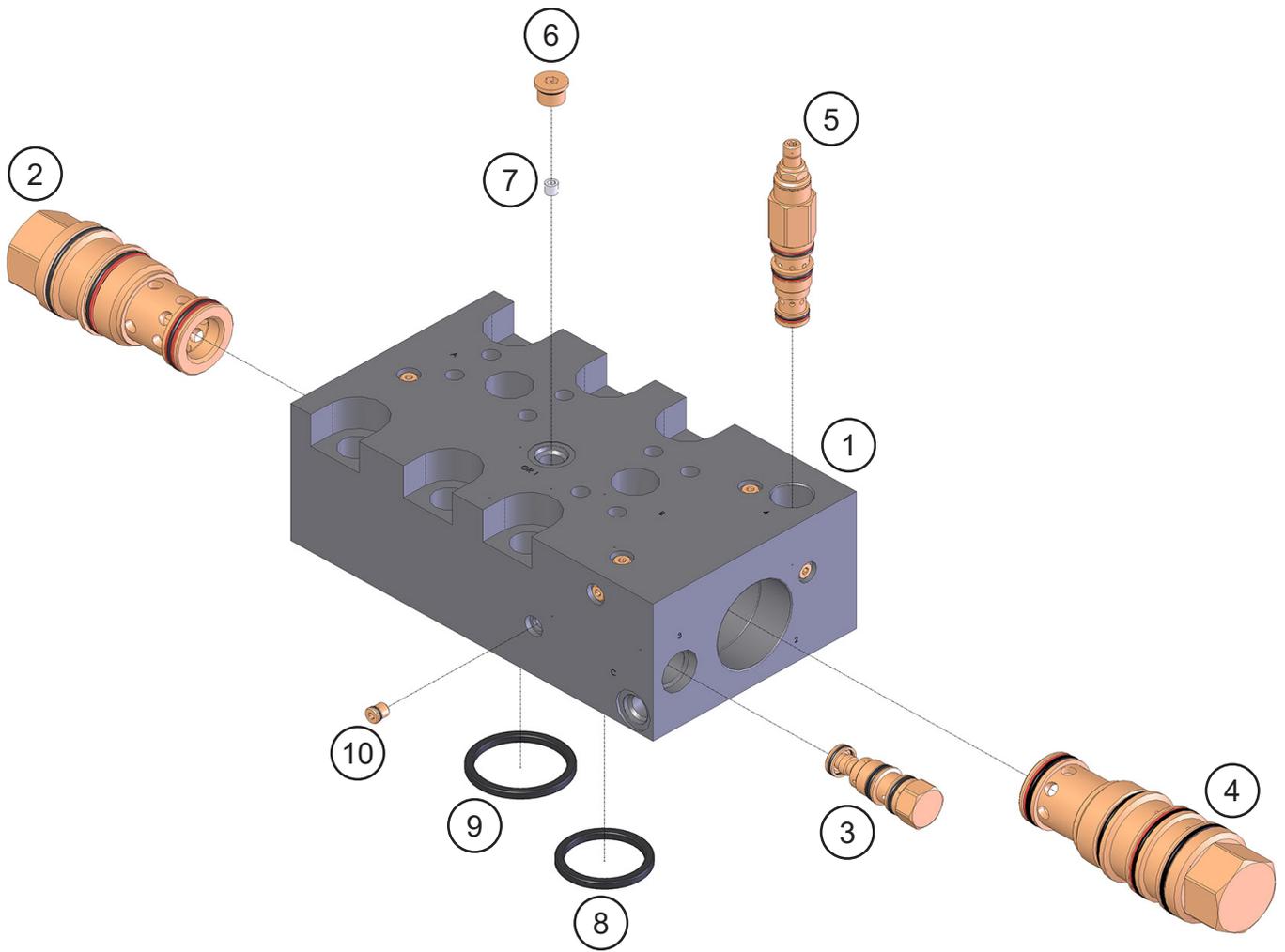
ITEM	QTY	PART NUMBER	DESCRIPTION
1	1	*	Mach Regen Manifold Seal Kit SK00047
2	1	6380088	Valve Check COJA-XGV Seal Kit SK00024
3	1	6300621	Valve Shuttle CSAB-XXV Seal Kit 6300622
4	1	6300623	Valve Logic DKJS-XHV Seal Kit 6300624
5	1	6300625	Valve PSI Reducer PRDB-LWV Seal Kit 6300622
6	1	6300153	Plug Socket Head 06MB
7	1	6300903	Mach Orifice
8	1	6300638	O-Ring 1p-3705 High PSI Seal 2.0 OD
9	1	6300723	O-Ring 1p-3705 High PSI Seal 2.25 OD
10	1	6300075	Plug Socket Head 02MB

* Part number is Serial Number specific. For replacement parts call the Genesis Parts Department.

USA
715-395-3488

Europe
+49 83 31 9 25 98 0

GDT 590 & 890 REGEN BLOCK SUB-ASSEMBLY 6360120



GDT 590 & 890 REGEN BLOCK SUB-ASSEMBLY 6360120

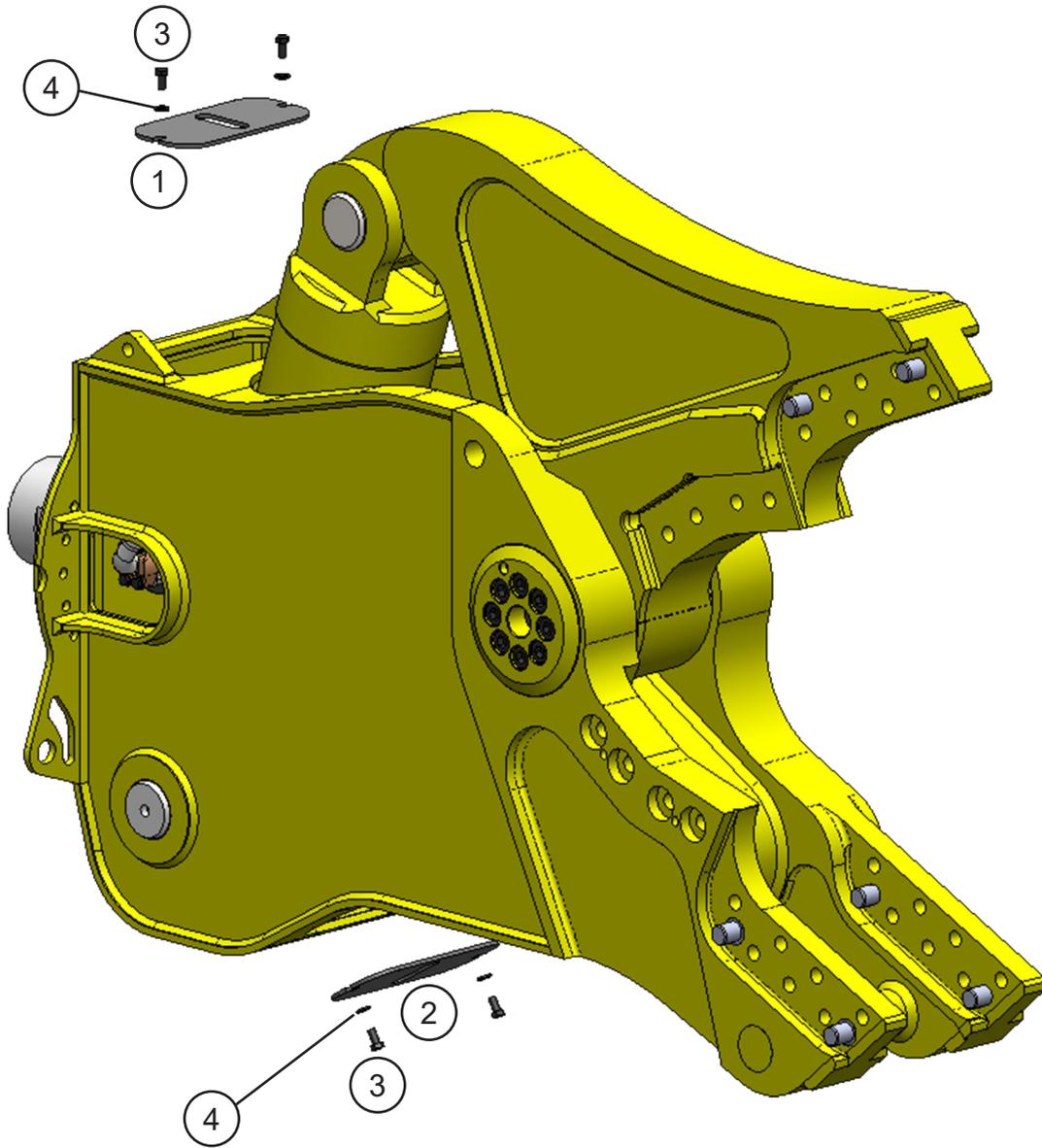
ITEM	QTY	PART NUMBER	DESCRIPTION
1	1	*	Mach Regen Manifold Seal Kit SK00047
2	1	6380088	Valve Check COJA-XGV Seal Kit SK00024
3	1	6300621	Valve Shuttle CSAB-XXV Seal Kit 6300622
4	1	6300623	Valve Logic DKJS-XHV Seal Kit 6300624
5	1	6300625	Valve PSI Reducer PRDB-LWV Seal Kit 6300622
6	1	6300153	Plug Socket Head 06MB
7	1	6300903	Mach Orifice
8	1	6300638	O-Ring 1p-3705 High PSI Seal 2.0 OD
9	1	6300723	O-Ring 1p-3705 High PSI Seal 2.25 OD
10	1	6300075	Plug Socket Head 02MB

* Part number is Serial Number specific. For replacement parts call the Genesis Parts Department.

USA
715-395-3488

Europe
+49 83 31 9 25 98 0

ACCESS COVERS

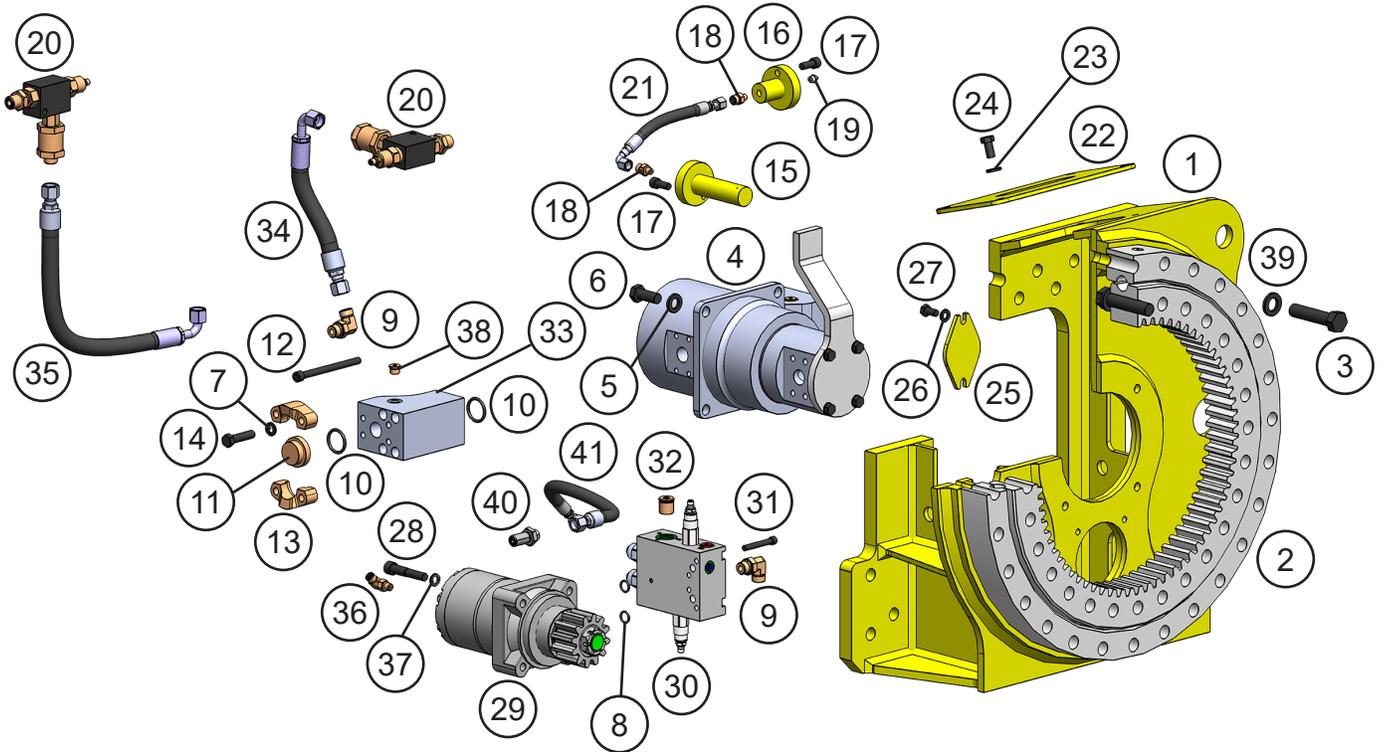


ACCESS COVERS

ITEM	QTY	PART NUMBER			DESCRIPTION
		GDT 190	GDT 290	GDT 390	
1	1	3502118	3503383	3502286	Plt Cover
2	1	3502118	3503383	3502286	Plt Cover
3	4	F0112025	F0112025	F0112025	Hex Head Capscrew M12 x 1.75 x 25
4	4	F1201224	F1201224	F1201224	Flat Washer M12

ITEM	QTY	PART NUMBER		DESCRIPTION
		GDT 590	GDT 890	
1	1	3502804	3503487	Plt Cover
2	1	3502804	3503488	Plt Cover
3	4	F0112025	F0612025	Socket Head Capscrew M12 x 1.75 x 25
4	4	F1401200	F1401200	Lock Washer M12

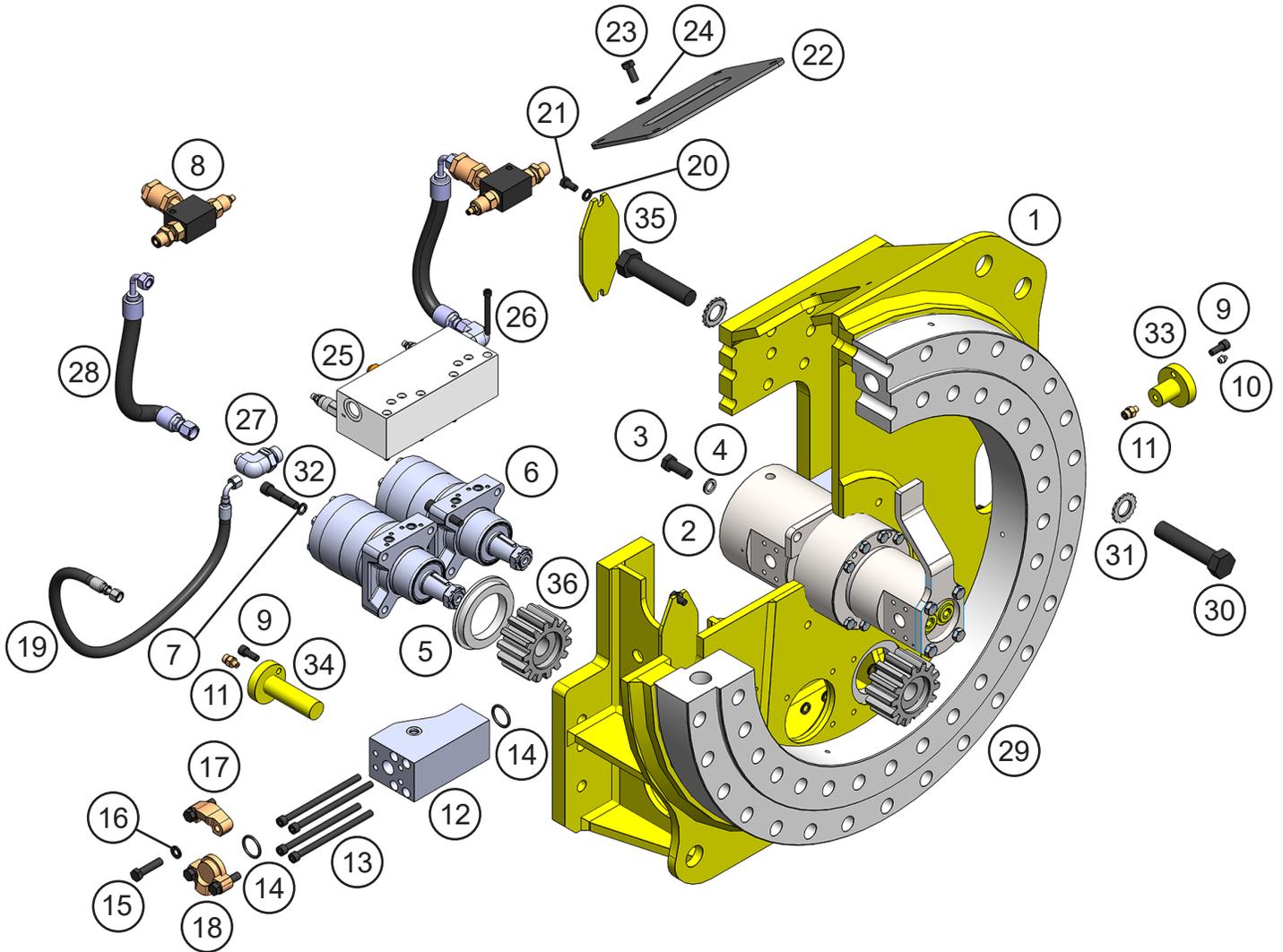
GDT 190 & 290 ASSEMBLY SUB-HEAD



GDT 190 & 290 ASSEMBLY SUB-HEAD

ITEM	QTY	PART NUMBER		DESCRIPTION
		GDT 190	GDT 290	
1	1	3502161	3502178	Wtmg Sub-Head
2	1	6100397	6100092	Slewing Ring
3	56 GDT 190 66 GDT 290	F0120090	F0120100	Hex Head Capscrew M20 x 2.5 x 90 GDT190 M20 x 2.5 x 100 GDT290
4	1	6350185	6350185	Assembly Swivel Manifold
5	4	F1201630	F1201630	Flat Washer M16
6	4	F0116040	F0116040	Hex Head Capscrew M16 x 2.0 x 40
7	8	F1401200	F1401200	Lock Washer M12
8	2	S0691620	S0691620	O-Ring
9	2	6300305	6300305	Adapter 10MB-10MO-90
10	4	S0190219	S0190219	O-Ring
11	2	H0362100	H0362100	Split Flange Plug 1.00
12	8	F0610130	F0610130	Socket Head Capscrew M10 x 1.5 x 130
13	4	H0262100	H0262100	Split Flange Half 1.00 Code 62
14	8	F0112050	F0112050	Hex Head Capscrew M12 x 1.75 x 50
15	1	5512419	5512419	Mach Slewing Ring Grease Adapter
16	1	5512411	5512411	Mach Grease Bulkhead Adapter
17	2	F0610025	F0610025	Socket Head Capscrew M10 x 1.5 x 25
18	2	6300731	6300731	Adapter 02MP-04MO
19	1	6200002	6200002	Grease Fitting
20	2	6301202	6301202	Flow Control Sub-Assembly
21	1	3502188	3502034	Hose
22	1	3502190	3502027	Plt Cover
23	4	F1201224	F1201224	Flat Washer M12
24	4	F0112025	F0112025	Hex Head Capscrew M12 x 1.75 x 25
25	2	3502191	1100319	Plt Cover
26	4	F1201021	F1201021	Flat Washer M10
27	4	F0110020	F0110020	Hex Head Capscrew M10 x 1.5 x 20
28	4	1108011	1108011	Socket Head Capscrew M12 x 1.75 x 70 (Custom Shaft)
29	1	6380102	6380102	Motor Sub-Assembly
30	1	6360102	6360102	Valve Rotate C'over/C'bal
31	4	F0608060	F0608060	Socket Head Capscrew M8 x 1.25 x 60
32	2	6300077	6300077	Plug Socket Head 10MB
33	2	3502323	3502323	Mach Port Block
34	1	3502186	3502185	Hose
35	1	3502187	3502184	Hose
36	1	6300768	6300768	Adapter 04MB-04MO-90
37	4	F1900050	F1900050	Wedge Lock Washer ½
38	4	6300153	6300153	Plug Socket Head 06MB
39	56	F1202037	NA	Flat Washer M20
40	1	6301076	6301076	Adapter Bulkhead 06MO-06MO
41	1	3502324	3502324	Hose

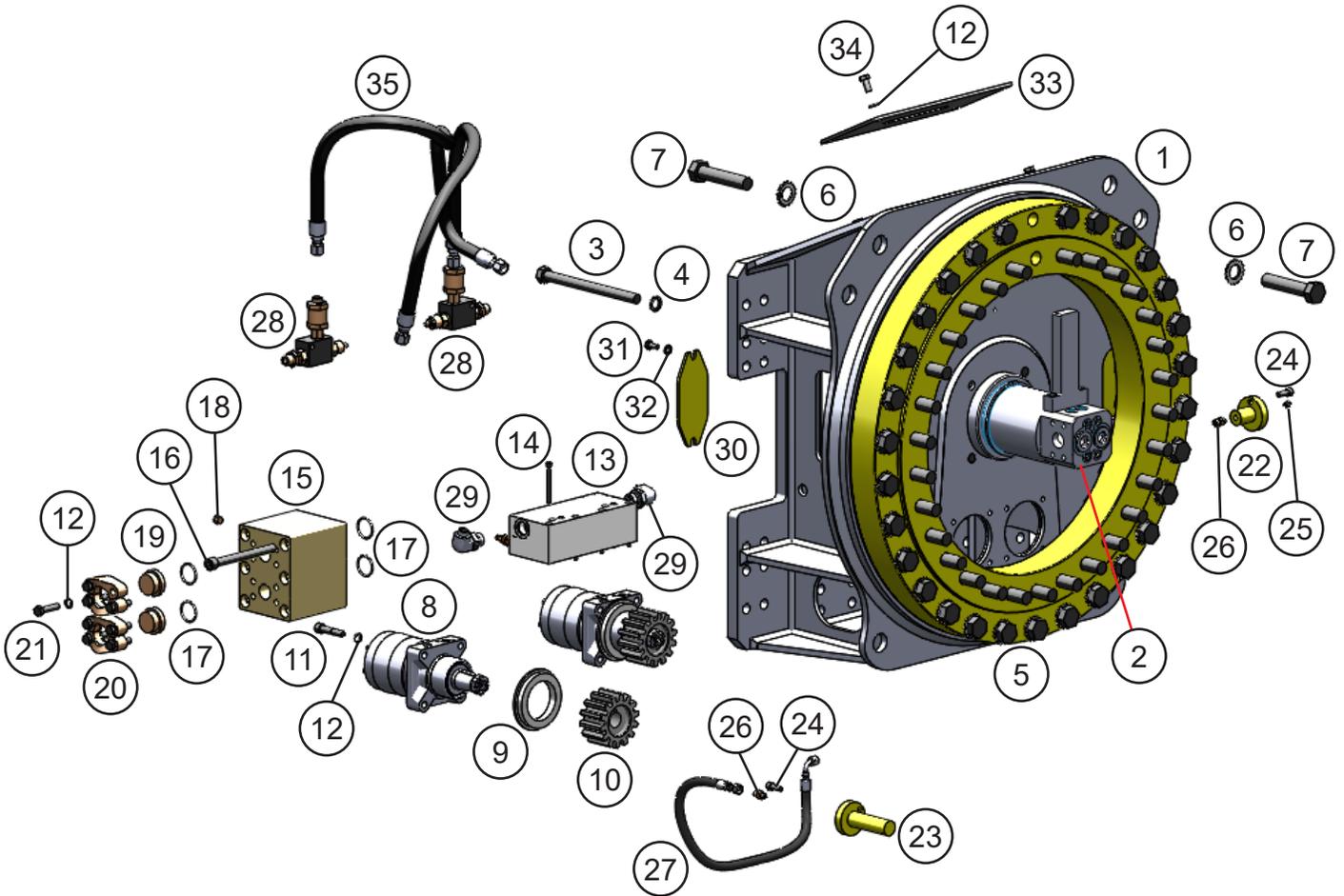
GDT 390 ASSEMBLY SUB-HEAD



GDT 390 ASSEMBLY SUB-HEAD

ITEM	QTY	PART NUMBER	DESCRIPTION
1	1	3502682	Wtmg Sub-Head
2	1	6350127	Assembly Swivel Manifold
3	4	F0116040	Hex Head Capscrew M16 x 2.0 x 40
4	4	F1900063	Wedge Lock Washer 5/8"
5	2	3501835	Mach Spacer
6	2	6380083	Motor
7	8	F1900050	Wedge Lock Washer 1/2"
8	2	6301202	Flow Control Sub-Assembly
9	2	F0610025	Socket Head Capscrew M10 x 1.5 x 25
10	1	6200002	Grease Fitting
11	2	6300731	Adapter 02MP-04MO
12	2	3502315	Mach Port Block
13	8	F0610170	Socket Head Capscrew M10 x 1.5 x 170
14	4	S0190219	O-Ring
15	8	F0112050	Hex Head Capscrew M12 x 1.75 x 50
16	8	F1401200	Lock Washer M12
17	4	H0262100	Split Flange Half 1.00 Code 62
18	2	H0362100	Split Flange Plug 1.00
19	1	3502313	Hose
20	4	F1201021	Flat Washer M10
21	4	F0110020	Hex Head Capscrew M10 x 1.5 x 20
22	1	3502320	Plt Cover
23	4	F0112025	Hex Head Capscrew M12 x 1.75 x 25
24	4	F1201224	Flat Washer M12
25	1	6360143	Valve Rotate Cross-over / C'bal
26	8	F0731300	Socket Head Capscrew 5/16 -18 x 3"
27	2	6310082	Adapter 12MB-08MO-90
28	2	3502686	Hose
29	1	6300429	Slewing Ring
30	60	F0127130	Hex Head Capscrew M27 x 3 x 130
31	60	F2802700	Hytorc Washer M27
32	8	1108183	Socket Head Capscrew M12 x 1.75 x 60 (Custom Shaft)
33	1	5512411	Mach Grease Bulkhead Adapter
34	1	5512419	Mach Slewing Ring Grease Adapter
35	2	1105883	Plt Cover
36	2	3101235	Motor Pinion

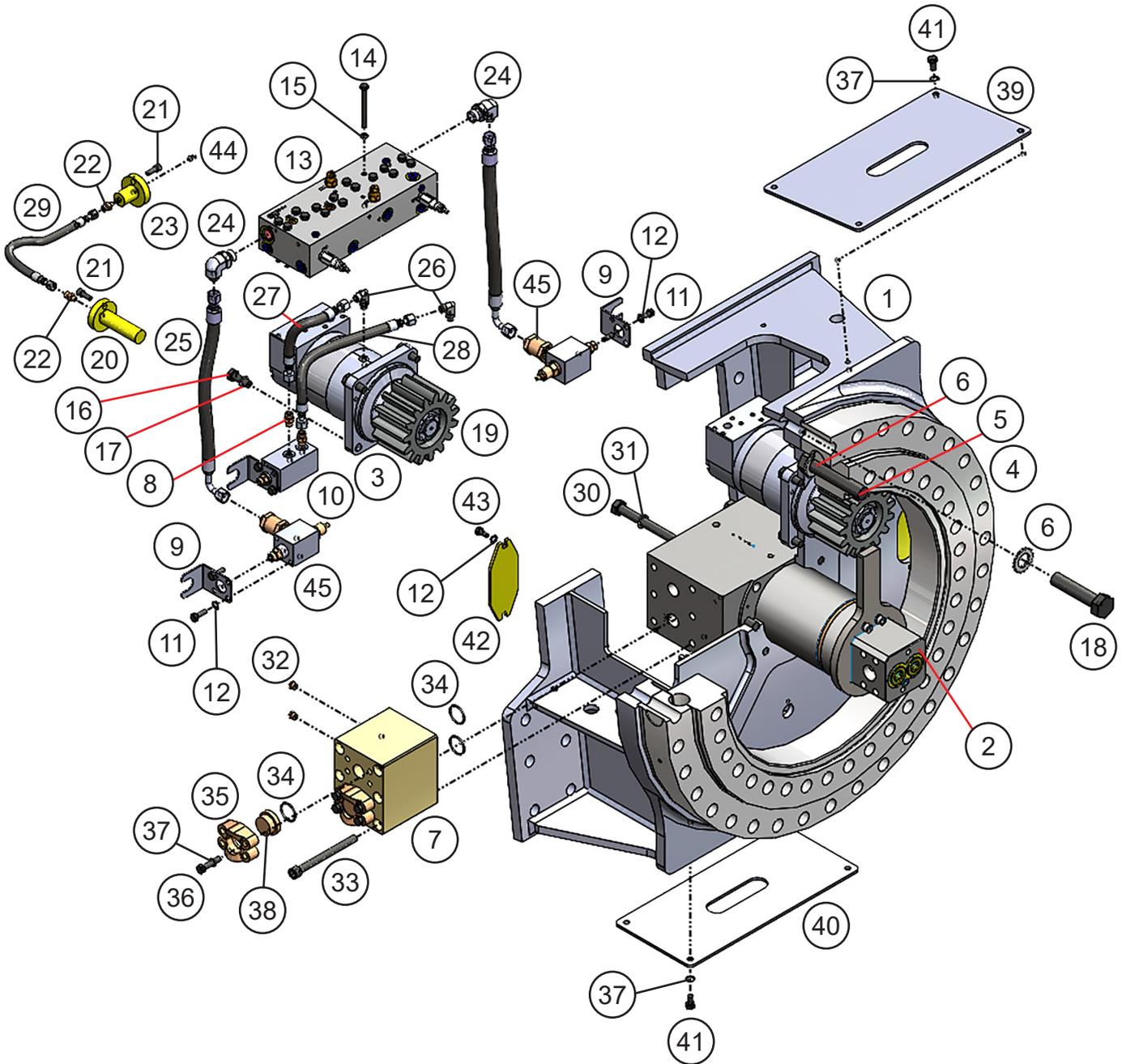
GDT 590 ASSEMBLY SUB-HEAD



GDT 590 ASSEMBLY SUB-HEAD

ITEM	QTY	PART NUMBER	DESCRIPTION
1	1	3502533	Wtmg Sub-Head
2	1	6350135	Assembly Swivel Manifold
3	4	F0120260	Hex Head Capscrew M20 x 2.5 x 260
4	4	F1900075	Wedge Lock Washer ¾
5	1	6300429	Slewing Ring
6	60	F2802700	Hytorc Washer M27
7	60	F0127130	Hex Head Capscrew M27 x 3.0 x 130
8	2	6380083	Motor
9	2	3501835	Mach Spacer
10	2	3101235	Motor Pinion
11	8	1108183	Socket Head Capscrew M12 x 1.75 x 60 (Custom Shaft)
12	28	F1900050	Wedge Lock Washer ½
13	1	6360143	Valve Rotate Cross-over / C'bal
14	8	F0731300	Socket Head Capscrew 5/16 - 18 x 3
15	2	1107091	Mach Port Block
16	12	F0616170	Socket Head Capscrew M16 x 2 x 170
17	8	S0190222	O-Ring
18	4	6300153	Plug Socket Head 06MB
19	4	H0362125	Split Flange Plug 1.25 Code 62
20	8	H0262125	Split Flange Half 1.25 Code 62
21	16	F0112050	Hex Head Capscrew M12 x 1.75 x 50
22	1	5512411	Mach Grease Bulkhead Adapter
23	1	5512419	Mach Slewing Ring Grease Adapter
24	2	F0610025	Socket Head Capscrew M10 x 1.50 x 25
25	1	6200002	Grease Fitting
26	2	6300731	Adapter 02MP-04MO
27	1	3502313	Hose
28	2	6301202	Flow Control Sub-Assembly
29	2	6310082	Adapter 12MB-08MO-90
30	2	1105883	Plt Cover
31	4	F0110020	Hex Head Capscrew M10 x 1.5 x 20
32	4	F1201021	Flat Washer M10
33	1	3502546	Plt Top Cover
34	4	F0112025	Hex Head Capscrew M12 x 1.75 x 25
35	2	3502805	Hose

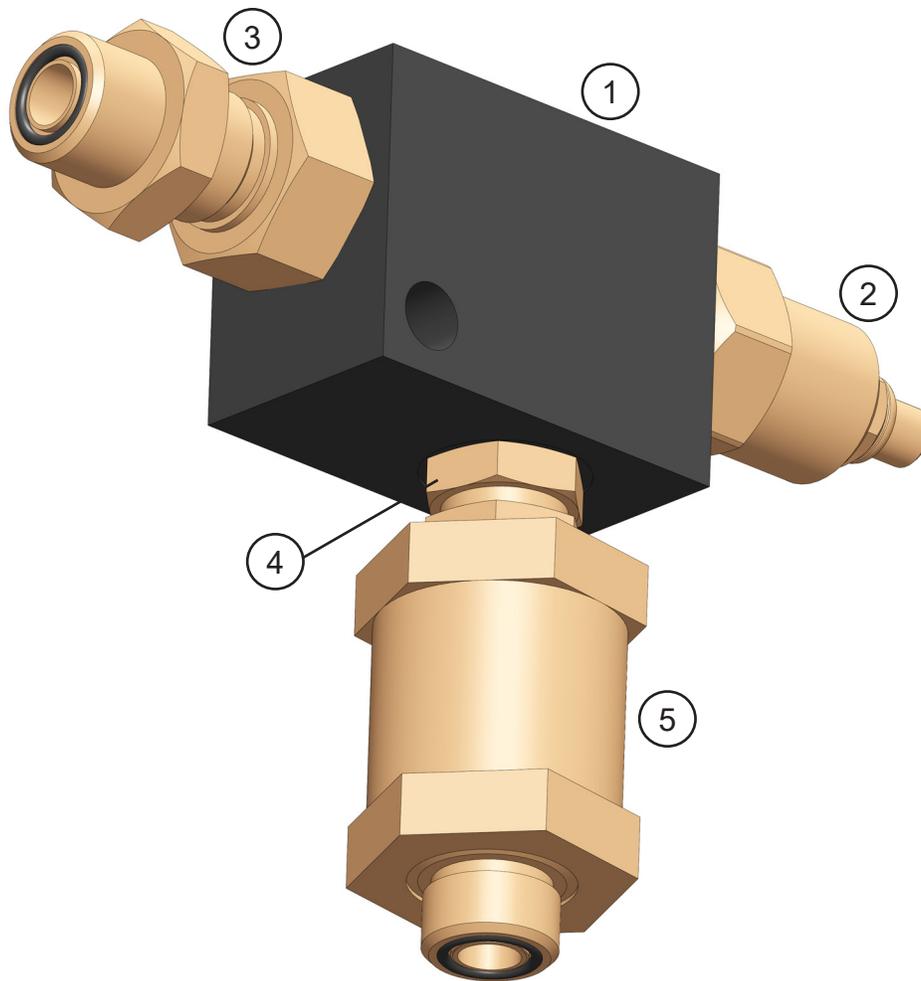
GDT 890 ASSEMBLY SUB-HEAD



GDT 890 ASSEMBLY SUB-HEAD

ITEM	QTY	PART NUMBER	DESCRIPTION
1	1	3503404	Mach Sub-Head
2	1	6350168	Assembly Swivel Manifold
3	2	6380210	Motor
4	1	6300430	Slewing Ring
5	36	F0130150	Hex Head Capscrew M30 x 3.5 x 150
6	72	F2803000	Washer M30
7	2	1107091	Mach Port Block
8	3	6300018	Adapter 06MB-06MO
9	3	6302660	Bracket Hose Stem Lock Lock 90
10	1	6302661	Manifold Case Drain
11	6	F0110030	Hex Head Capscrew M10 x 1.5 x 30
12	10	F1201021	Flat Washer M10
13	1	6360147	Valve Rotate Crossover / C'bal
14	16	F0110100	Hex Head Capscrew M10 x 1.5 x 100
15	16	F1900040	Washer 10mm
16	8	F0116045	Hex Head Capscrew M16 x 2.0 x 45
17	8	F1900063	Wedge Lock Washer 5/8
18	36	F0130130	Hex Head Capscrew M30 x 3.5 x 130
19	2	3101265	Pinion
20	1	5512419	Mach Slewing Ring Grease Adapter
21	2	F0610025	Socket Head Capscrew M10 x 1.5 x 25
22	2	6300731	Adapter 02MP-04MO
23	1	5512411	Mach Grease Bulkhead Adapter
24	2	6310082	Adapter 12MB-08MO-90
25	2	3503422	Hose
26	2	6310305	Adapter 04MBSPP-06MO-90
27	1	3503423	Hose
28	1	3503424	Hose
29	1	3503425	Hose
30	6	F0120260	Hex Head Capscrew M20 x 2.5 x 260
31	6	F1900075	Wedge Lock Washer 3/4
32	4	6300153	Plug Socket Head 06MB
33	12	F0616170	Socket Head Capscrew M16 x 2.0 x 170
34	8	S0190222	O-Ring
35	8	H0262125	Split Flange Half 1.25 Code 62
36	16	F0112050	Hex Head Capscrew M12 x 1.75 x 50
37	24	F1900050	Wedge Lock Washer 1/2
38	4	H0362125	Split Flange Plug 1.25 Code 62
39	1	3503420	Plt Top Cover
40	1	3503421	Plt Bottom Cover
41	8	F0112020	Hex Head Capscrew M12 x 1.75 x 20
42	2	1105883	Plt Cover
43	4	F0110020	Hex Head Capscrew M10 x 1.5 x 20
44	1	6200002	Grease Fitting
45	2	6302659	Flow Control Sub-Assy

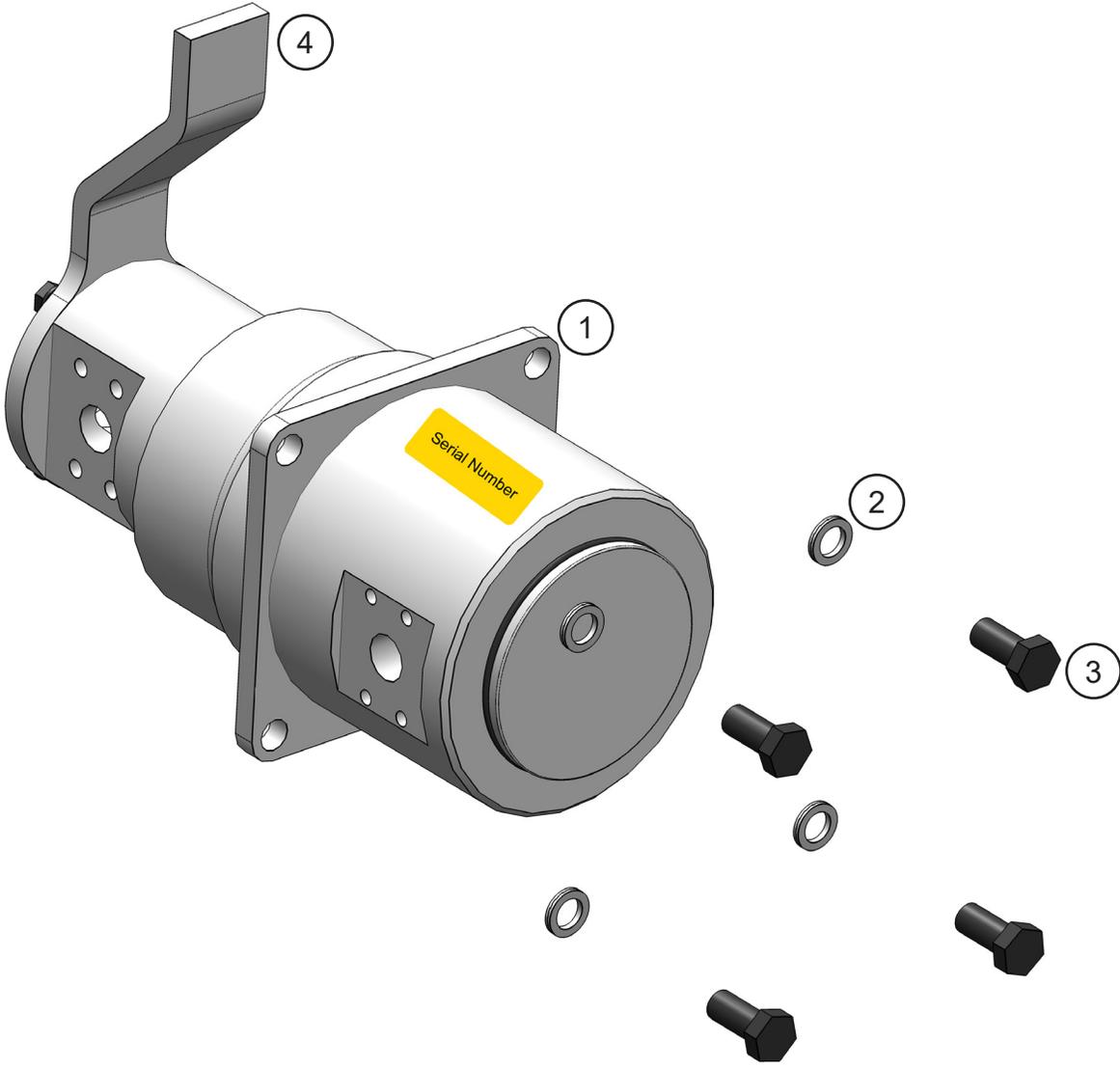
SUB-ASSEMBLY LINE MOUNT MANIFOLD



SUB-ASSEMBLY LINE MOUNT MANIFOLD

ITEM	QTY	PART NUMBER		DESCRIPTION
		GDT 190 - 590	GDT 890	
1	1	6300609	6302658	Valve Line Body
2	1	6300361	6300361	Valve Flow Control Seal Kit 6300634
3	1	6300497	6310050	Adaptor Bulkhead 08MB-08MO
4	1	6310183	6310183	Adaptor 08MB-08MB
5	1	6300364	6300364	Filter

GDT 190 & 290 ASSEMBLY SWIVEL MANIFOLD



GDT 190 & 290 ASSEMBLY SWIVEL MANIFOLD

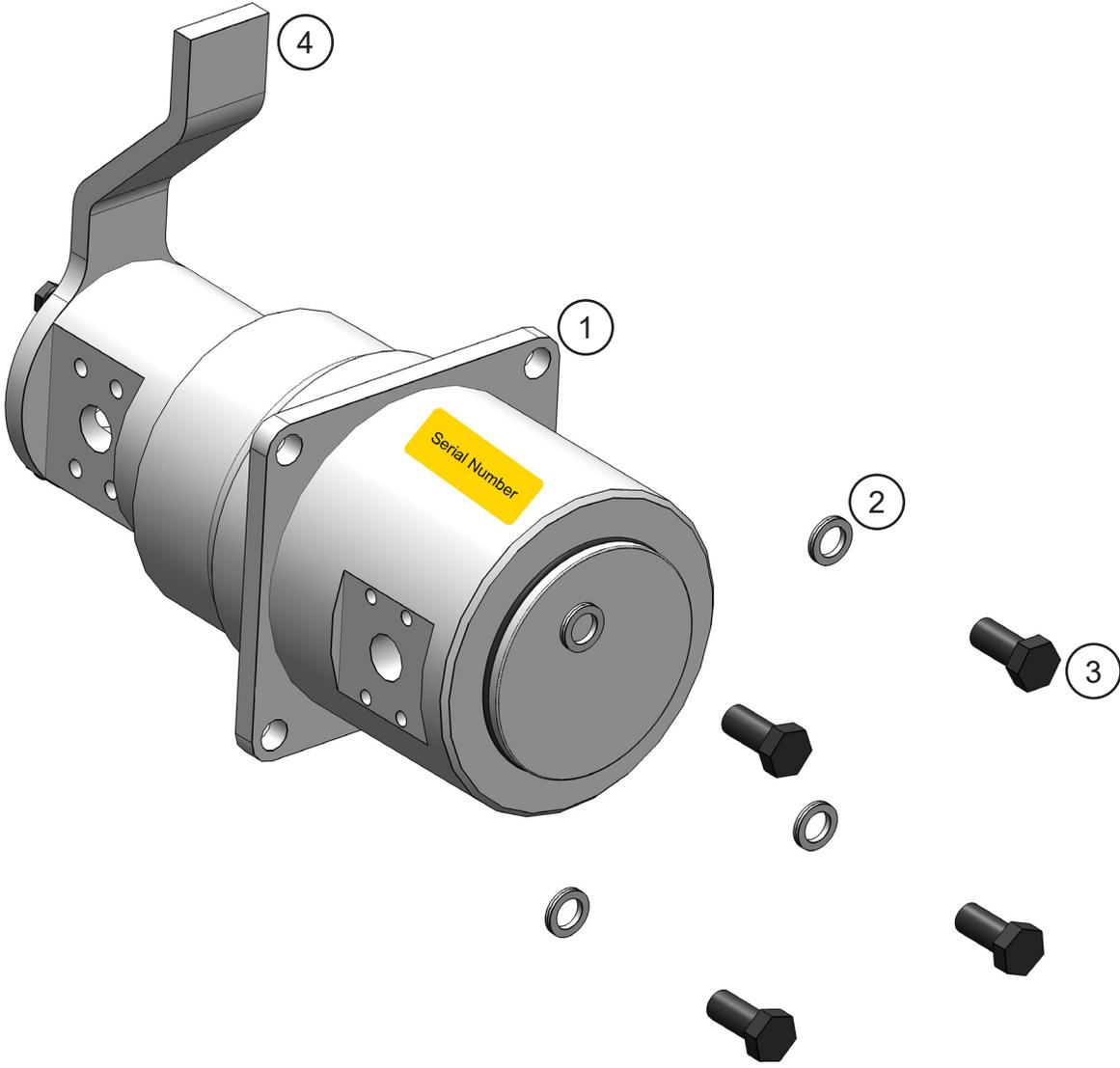
ITEM	QTY	PART NUMBER	DESCRIPTION
1	1	6350185	Assembly Swivel Manifold
2	4	F1900063	Wedge Lock Washer 5/8
3	4	F0116035	Hex Head Capscrew M16 x 2.0 x 35
4	1	*	Torque Arm Kit

* Part number is Serial Number specific. For replacement parts call the Genesis Parts Department. The swivel Serial Number, located in the highlighted area, is required for **any** parts order.

USA
715-395-3488

Europe
+49 83 31 9 25 98 0

GDT 390 ASSEMBLY SWIVEL MANIFOLD



GDT 390 ASSEMBLY SWIVEL MANIFOLD

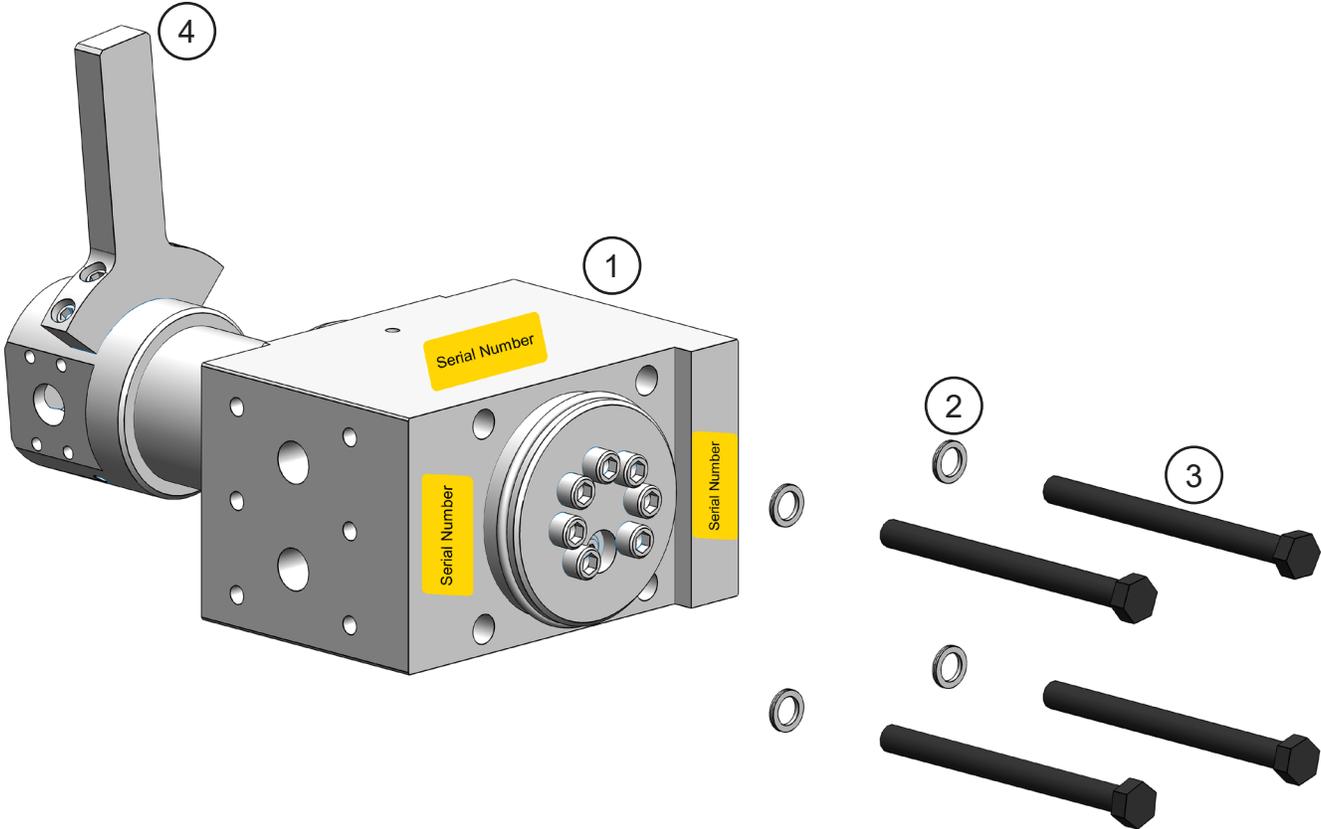
ITEM	QTY	PART NUMBER	DESCRIPTION
1	1	6350127	Assembly Swivel Manifold
2	4	F1900063	Wedge Lock Washer 5/8
3	4	F0116040	Hex Head Capscrew M16 x 2.0 x 40
4	1	*	Torque Arm Kit

* Part number is Serial Number specific. For replacement parts call the Genesis Parts Department. The swivel Serial Number, located in the highlighted area, is required for **any** parts order.

USA
715-395-3488

Europe
+49 83 31 9 25 98 0

GDT 590 & 890 ASSEMBLY SWIVEL MANIFOLD



GDT 590 & 890 ASSEMBLY SWIVEL MANIFOLD

ITEM	QTY	PART NUMBER		DESCRIPTION
		590	890	
1	1	6350135	6350168	Assembly Swivel Manifold
2	4	F1900075		Wedge Lock Washer $\frac{3}{4}$
3	4	F0120260		Hex Head Capscrew M20 x 2.5 x 260
4	1	*		Torque Arm Kit

* Part number is Serial Number specific.

For replacement parts and seal kit, call the Genesis Parts Department.

The swivel Serial Number, located in one of the three highlighted areas, is required for **any** parts order.

USA
715-395-3488

Europe
+49 83 31 9 25 98 0

SPLIT FLANGE KITS USED IN THIS MANUAL

1" Split Flange Kit - Code 61 - M10

QTY	PART NUMBER	DESCRIPTION
2	H0261100	Split Flange Half 1.00 Code 61
4	F0110035	Hex Head Capscrew M10 x 1.50 x 35
4	F1401000	Lock Washer M10
1	S0190219	O-Ring

1" Split Flange Kit - Code 62 - M10

QTY	PART NUMBER	DESCRIPTION
2	H0262100	Split Flange Half 1.00 Code 62
4	F0110040	Hex Head Capscrew M10 x 1.50 x 40
4	F1401000	Lock Washer M10
1	S0190219	O-Ring

1" Split Flange Kit - Code 62 - M12

QTY	PART NUMBER	DESCRIPTION
2	H0262100	Split Flange Half 1.00 Code 62
4	F0112040	Hex Head Capscrew M12 x 1.75 x 40
4	F1401200	Lock Washer M12
1	S0190219	O-Ring

1¼" Split Flange Kit - Code 62 - M12

QTY	PART NUMBER	DESCRIPTION
2	H0262125	Split Flange Half 1.25 Code 62
4	F0112050	Hex Head Capscrew M12 x 1.75 x 50
4	F1401200	Lock Washer M12
1	S0190222	O-Ring

1¼" Split Flange Kit - Code 62 - M14

QTY	PART NUMBER	DESCRIPTION
2	H0262125	Split Flange Half 1.25 Code 62
4	F0114050	Hex Head Capscrew M14 x 2.00 x 50
4	F1401400	Lock Washer M14
1	S0190222	O-Ring

1½" Split Flange Kit - Code 62 - M16

QTY	PART NUMBER	DESCRIPTION
2	H0262150	Split Flange Half 1.50 Code 62
2	F0116170	Hex Head Capscrew M16 x 2.00 x 170
4	F1900063	Wedge Lock Washer 5/8
1	S0190225	O-Ring

BOLT TORQUE SPECIFICATIONS

Reference the product Thread Treatment Diagrams beginning on page 44 to determine whether to use wet or dry torque values for specific bolts.

Reference Procedures on page 45 for threadlocker or anti-seize application and bolt and bolt hole cleaning.

Prior to torquing, clean all bolt holes, bolts and nuts to remove dirt, grease and oil, and identify bolt type.

Never re-torque bolts that use Loctite. If a bolt becomes loose or damaged after the initial use when Loctite was applied and the bolt was torqued, the bolt must be replaced.

Never break tightened bolts loose with a torque wrench. Doing so may break the torque wrench or take it out of calibration.

Torque wrenches should be calibrated on an annual basis.

When using a torque multiplier with a torque wrench, incorrect settings will be multiplied by the ratio of the torque wrench.

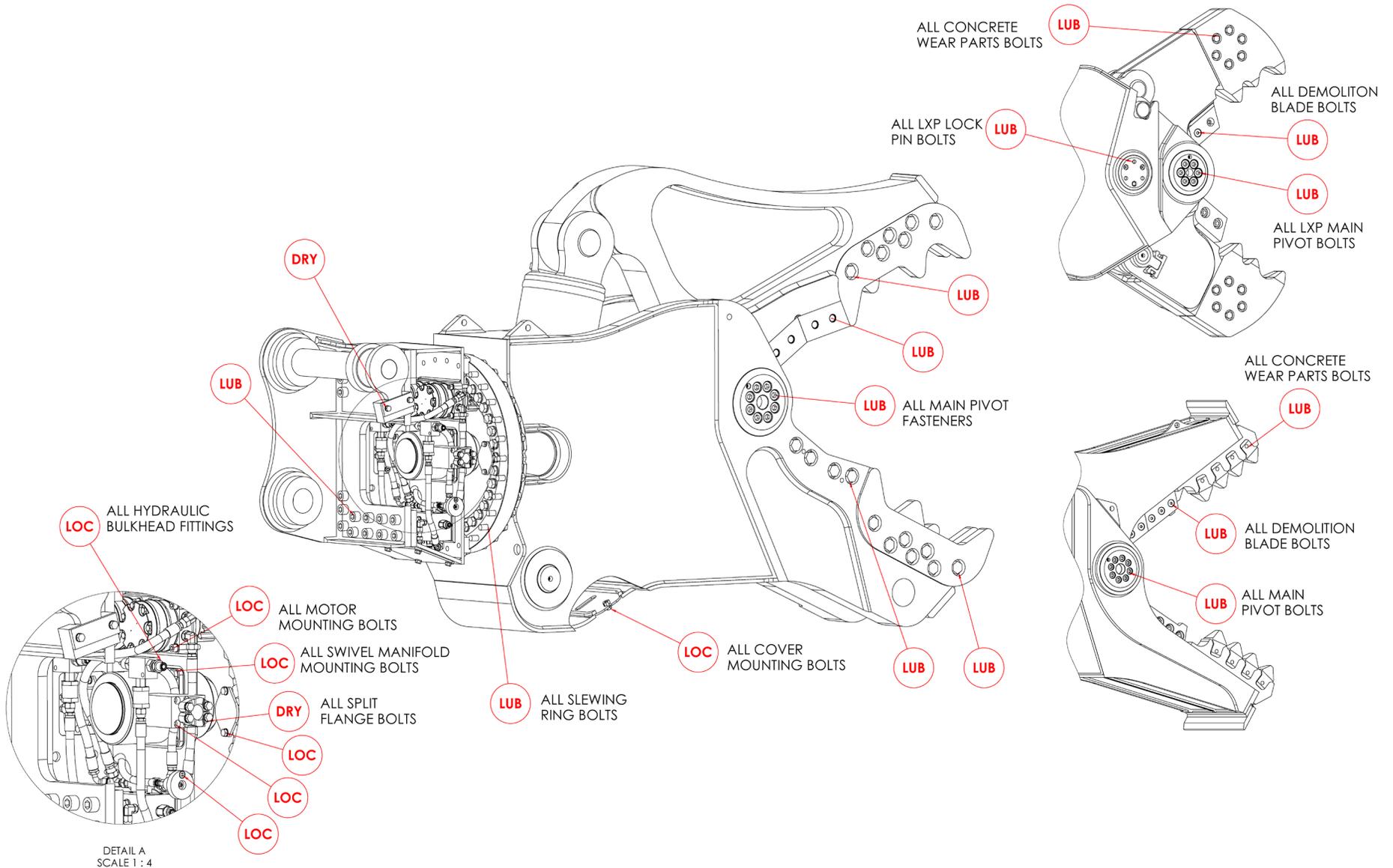
Never use an impact driver on a torque multiplier.

THREAD TREATMENT DIAGRAM

Processors

Use this diagram to determine what thread treatment, if any, is required for each fastener.

For thread treatment application procedures, see page 45. For prescribed torque values, see page 47.



PROCEDURES

Reference the product Thread Treatment Diagrams on page 44 to determine which of the following procedures is required.

Cleaning

To ensure proper performance of thread treatment and accurate torque values, clean and degrease **all internal and external threads** prior to application of threadlocker, anti-seize or primer and before installation of hardware.

- Ensure both internal and external threads are free of dirt or debris.
- Use brake cleaner or similar cleaning solvent on all threads to remove any grease or oil.
- Allow threads to dry.

NOTICE

Failure to properly clean threads will cause threadlocker, primer, and/or anti-seize to not properly cure!

LOC

Threadlocker

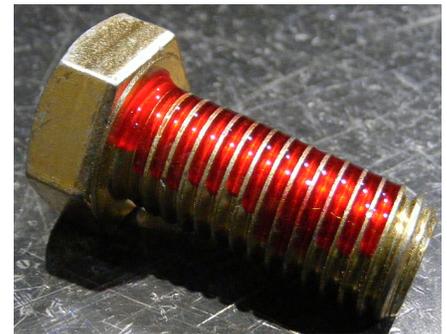
For bolted connections requiring threadlocker, use **Loctite 263** or equivalent applied using the following procedure:

- Clean and degrease all threads.
- For thru holes or nuts, apply threadlocker to bolt threads.
- For blind holes, apply stripe of threadlocker along the length of the hole (applying to the bolt can cause escaping air to remove threadlocker as the bolt is inserted).
- Torque bolt to specified **Wet Torque Value**, see page 47.

For threaded hydraulic fitting connections, use **Loctite 5452** or equivalent thread sealant in conjunction with **Loctite 7471** primer using the following procedure:

- Clean and degrease all threads.
- Apply Loctite 7471 primer to both external and internal threads and allow to dry.
- Apply threadlocker to 360 degrees of the threads on the male fitting, ensuring adequate coverage.
- Assemble fitting per directions in operator's manual.
- For O-ring boss and flat face O-ring connections, torque fittings to values specified on page 48.

Threadlocker



Blind Hole



Hydraulic Fitting



PROCEDURES

LUB

Anti-Seize

For bolted connections requiring anti-seize lubrication, use **Loctite LB8008** or equivalent using the following procedure:

- Clean and degrease all threads.
- Apply thin coat of anti-seize to internal and external threads and under bolt head and/or nut, ensuring complete coverage.
- Torque bolt to specified **Wet Torque Value**, see page 47.

Anti-Seize



DRY

No Thread Treatment

- Clean and degrease all threads.
- Torque bolt to specified **Dry Torque Value**, see page 47.

BOLT TORQUE SPECIFICATIONS

Dry Torque Values					
		Hex/Socket Head		Flat Head	
		 			
Fastener Grade	Size x Pitch	Nm	Ft-lb	Nm	Ft-lb
CL 10.9	M8 x 1.25	35	26	27	20
	M10 x 1.50	71	53	58	42
	M12 x 1.75	124	92	101	73
	M14 x 1.50	200	148	163	118
	M14 x 2.00	200	148	163	118
	M16 x 2.00	311	230	254	184
	M20 x 1.50	610	450	498	360
	M20 x 2.50	608	449	497	359
	M24 x 3.00	1054	778	861	622
	M27 x 3.00	1543	1138	1260	910
	M30 x 3.50	2095	1545	1712	1236
	M36 x 4.00	3659	2699	2991	2159
8	1/4-20	14	11	11	8
	5/16-18	32	24	26	19
	3/8-16	59	44	48	35
	7/16-14	94	70	77	56
	1/2-13	143	106	116	84
	1/2-20	162	120	133	96
	5/8-11	287	212	234	169
	3/4-10	509	376	415	300
	7/8-9	821	606	670	484
	1.00-8	1232	909	1007	727
	1.00-14	1383	1020	1130	816
	1.25-7	2463	1817	2013	1453
8/L9	1.50-6	4287	3162	3504	2529

Wet Torque Values					
		Hex/Socket Head		Flat Head	
		 			
Fastener Grade	Size x Pitch	Nm	Ft-lb	Nm	Ft-lb
CL 10.9	M8 x 1.25	29	22	23	17
	M10 x 1.50	61	45	49	36
	M12 x 1.75	105	78	85	62
	M14 x 1.50	150	111	121	88
	M14 x 2.00	170	126	138	100
	M16 x 2.00	265	196	216	156
	M20 x 1.50	456	337	372	269
	M20 x 2.50	517	382	422	305
	M24 x 3.00	894	660	731	528
	M27 x 3.00	1312	968	1072	774
	M30 x 3.50	1779	1312	1453	1049
	M36 x 4.00	3110	2294	2542	1835
8	1/4-20	13	10	11	8
	5/16-18	27	20	22	16
	3/8-16	50	37	40	29
	7/16-14	80	59	65	47
	1/2-13	122	90	99	72
	1/2-20	138	102	112	81
	5/8-11	244	180	199	144
	3/4-10	433	320	354	256
	7/8-9	698	515	570	412
	1.00-8	1046	772	854	617
	1.00-14	1175	867	960	693
	1.25-7	2095	1545	1712	1236
8/L9	1.50-6	3644	2688	2979	2150

O-RING BOSS & FLAT FACE O-RING TORQUE SPECIFICATIONS

O-Ring Boss Torque Values		
Size Dash	Nm	Ft-lb
-4	22	16
-5	27	20
-6	36	26
-8	83	60
-10	110	80
-12	187	135
-14	249	180
-16	304	220
-20	387	280
-24	498	360

Flat Face O-Ring Torque Values		
Size Dash	Nm	Ft-lb
-4	18	13
-6	30	22
-8	60	44
-10	85	62
-12	121	88
-14	121	88
-16	160	116
-20	213	154
-24	274	198

BOLT DRIVE SPECIFICATIONS

Thread Size x Pitch	Hex Head	Socket Head	Flat Head
			
	Wrench/Drive Size		
M8 x 1.25	13mm	6mm	5mm
M10 x 1.50	17mm	8mm	6mm
M12 x 1.75	19mm	10mm	8mm
M14 x 1.50	22mm	12mm	10mm
M14 x 2.00	22mm	12mm	10mm
M16 x 2.00	24mm	14mm	10mm
M20 x 1.50	30mm	17mm	12mm
M20 x 2.50	30mm	17mm	12mm
M24 x 3.00	36mm	19mm	14mm
M27 x 3.00	41mm	19mm	-
M30 x 3.50	46mm	22mm	-
M36 x 4.00	55mm	27mm	-
1/4-20	7/16"	3/16"	5/32"
5/16-18	1/2"	1/4"	3/16"
3/8-16	9/16"	5/16"	7/32"
7/16-14	5/8"	3/8"	1/4"
1/2-13	3/4"	3/8"	5/16"
1/2-20	3/4"	3/8"	5/16"
5/8-11	15/16"	1/2"	3/8"
3/4-10	1-1/8"	5/8"	1/2"
7/8-9	1-5/16"	3/4"	9/16"
1.00-8	1-1/2"	3/4"	5/8"
1.00-14	1-1/2"	3/4"	5/8"
1.25-7	1-7/8"	7/8"	7/8"
1.50-6	2-1/4"	1"	1"

WARRANTY

Claim Procedure

Notify the Genesis Service Department of the potential warranty claim prior to making the repair. Digital pictures are very helpful for diagnosing problems and recommending repairs.

Contact the Genesis Service Department before making alterations, changes or repairs to any component that is going to be considered for warranty. Not doing so will void all Genesis warranty consideration.

The Genesis Service Department will issue an authorization number to track the repair costs, outgoing parts, and/or defective parts returning to the factory.

Replacement parts must be ordered using a purchase order number. Shipping is standard ground. Overnight shipping is available by request, and Genesis will not cover the shipping charge.

When the repair is complete, submit an invoice to the Genesis Service Department within 30 days. Include itemized internal labor reporting, parts lists and invoices for outside contractors. Reference the authorization number on all invoices.

When returning parts for warranty consideration, include a copy of any related Genesis paperwork along with any other necessary documentation to ensure proper processing and credit. The Genesis Service Department will provide the necessary forms.

Your account will be credited when the warranty claim is accepted.

Blade Warranty

Standard warranty on blades will only be considered on the first edge, and wear on the edge must be 1/8" radius or less. Genesis does not warranty cutting blades that are cracked or broken from top to bottom (perpendicular to the long edge of the blade). Genesis also does not cover fasteners, the labor to replace wear components or collateral damage, such as blade seats, from broken blades, the piercing blade tang or adjustment plates.

Please direct any questions to the Genesis Service Department: 715-395-5252

PARTS ORDER POLICY AND PROCEDURE

Parts Orders Should Include

- Purchase order number
- Model and serial number of attachment
- Part number and quantity needed
- Shipping and billing address
- Method of shipment or required delivery date

Placing Orders

Orders may be placed by phone or e-mail. To e-mail an order, use the form on the following page or your purchase order form. Contact information is located at the front of this manual.

Part Numbers

Part numbers are listed in a separate Parts Manual or, if included, the Parts section of this manual. Contact the Genesis Parts Department with questions regarding part numbers, availability and pricing.

Shipping

All orders will be shipped best way surface unless an alternate shipping method is requested. Shipping charges are not included in the purchase price of parts.

Invoices

All invoices are due upon receipt. Any accounts with invoices open beyond 60 days are subject to review and may be placed on C.O.D. status without further notice.

Returns

Many unused Genesis parts may be returned with proper documentation. Return shipping is the responsibility of the purchaser. Credit will be issued upon return, less a 25% restocking fee. Documentation is required for credit of returned parts. Contact the Genesis Service Department at 715-395-5252 for an RGA (Return Goods Authorization) number and form. An RGA must accompany every return. Items shipped without an RGA may be returned to sender.

Warranty Returns

All parts returned to Genesis for warranty consideration must be returned with a completed RGA (Return Goods Authorization) provided by the Genesis Service Department. The form needs to be completed in its entirety, including any additional information requested by the Service Department. Return shipping is the responsibility of the sender and will be credited upon claim approval. A determination to accept or deny the claim will be made based upon the information available to Genesis. Warranty on purchased parts other than wear components is 6 months. There is no warranty period on wear parts or components.

INDEX

1 1/2" Split Flange Kit - Code 62 - M16	42	3502122 Mach Pin Teeth Lower	9
1 1/4" Split Flange Kit - Code 62 - M12	42	3502149 Mach Blade	9
1 1/4" Split Flange Kit - Code 62 - M14	42	3502152 Mach Tooth Lower Inside	9
1" Split Flange Kit - Code 61 - M10	42	3502154 Mach Tooth Lower Outside	9
1" Split Flange Kit - Code 62 - M10	42	3502156 Mach Tooth Upper LH	9
1" Split Flange Kit - Code 62 - M12	42	3502158 Mach Tooth Upper RH	9
1100319 Plt Cover	27	3502161 Wtmg Sub-head	27
1102448 Shim Set	7	3502178 Wtmg Sub-head	27
1102487 Mach Pin Keeper	13	3502184 Hose	27
1103607 Mach Pin Keeper	13	3502185 Hose	27
1105883 Plt Cover	29, 31, 33	3502186 Hose	27
1106664 Mach Upper Cyl Bearing	13	3502187 Hose	27
1106675 Mach Pin Keeper	13	3502188 Hose	27
1107091 Mach Port Block	31, 33	3502190 Plt Cover	27
1108011 Socket Head Capscrew M12 X 1.75 X 70 (Custom Shaft)	27	3502191 Plt Cover	27
1108183 Socket Head Capscrew M12 X 1.75 X 60 (Custom Shaft)	29, 31	3502285 Mach Pin Rear Cyl Pin	13
3100133 Mach Upper Cyl Bearing	13	3502286 Plt Cover	25
3101235 Motor Pinion	29, 31	3502287 Mach Pin Teeth Upper	9
3101265 Pinion	33	3502288 Mach Pin Teeth Lower	9
3500309 Mach Pin Keeper	13	3502289 Hose	17
3500350 Mach Pin Keeper	13	3502290 Hose	17
3500360 Shim Set	7	3502291 Mach Tooth Upper RH	9
3500637 Wldt Upper Cyl Pin	13	3502293 Mach Tooth Upper LH	9
3500831 Mach Pin Keeper	13	3502295 Mach Tooth Lower Inside	9
3501099 Mach End Cap	7	3502297 Mach Tooth Lower Outside	9
3501100 Mach Bearing	7	3502299 Mach Blade	9
3501246 Mach Pin Keeper	13	3502313 Hose	29, 31
3501760 Mach Bearing	7	3502315 Mach Port Block	29
3501761 Shim Set	7	3502320 Plt Cover	29
3501812 Mach End Cap	7	3502323 Mach Port Block	27
3501835 Mach Spacer	29, 31	3502324 Hose	27
3501986 Mach Upper Cyl Bearing	13	3502533 Wtmg Sub-Head	31
3501987 Mach Pin Rear Cyl Pin	13	3502546 Plt Top Cover	31
3501988 Wldt Upper Cyl Pin	13	3502579 Hose	17
3501995 Hose	17	3502580 Hose	17
3501997 Swivel Gasket	17	3502581 Hose	17
3502013 Mach Blade	9	3502582 Hose	17
3502027 Plt Cover	27	3502583 Hose	17
3502034 Hose	27	3502584 Hose	17
3502086 Mach Tooth Upper RH	9	3502682 Wtmg Sub-Head	29
3502088 Mach Tooth Upper LH	9	3502686 Hose	29
3502090 Mach Tooth Lower Inside	9	3502705 Mach Blade	9
3502094 Mach Tooth Lower Outside	9	3502716 Mach Thrust Washer	7
3502101 Mach Pin Teeth Upper	9	3502717 Mach End Cap	7
3502102 Mach Pin Teeth Lower	9	3502719 Mach Tie Rod Nut	7
3502103 Hose	17	3502721 Mach Pin Teeth Upper	9
3502114 Mach Upper Cyl Bearing	13	3502722 Mach Pin Teeth Lower	9
3502115 Wldt Upper Cyl Pin	13	3502723 Mach Bearing	7
3502117 Mach Pin Rear Cyl Pin	13	3502724 Mach Main Shaft	7
3502118 Plt Cover	25	3502725 Mach Pin Keeper	13
3502119 Hose	17	3502727 Mach Tie Rod	7
3502120 Hose	17	3502730 Mach Upper Cyl Bearing	13
3502121 Mach Pin Teeth Upper	9	3502731 Mach Pin Rear Cyl Pin	13
		3502732 Wldt Upper Cyl Pin	13
		3502736 Mach Tooth Upper RH	9

INDEX

- 3502738 Mach Tooth Lower Outside 9
- 3502740 Mach Tooth Upper LH 9
- 3502741 Mach Tooth Lower Inside 9
- 3502804 Plt Cover 25
- 3502805 Hose 31
- 3502806 Hose 17
- 3503383 Plt Cover 25
- 3503394 Hose 17
- 3503404 Mach Sub-Head 33
- 3503420 Plt Top Cover 33
- 3503421 Plt Bottom Cover 33
- 3503422 Hose 33
- 3503423 Hose 33
- 3503424 Hose 33
- 3503425 Hose 33
- 3503476 Mach Bearing 7
- 3503477 Mach Main Shaft 7
- 3503479 Mach Tie Rod 7
- 3503485 Wldt Upper Cyl Pin 13
- 3503487 Plt Cover 25
- 3503488 Plt Cover 25
- 3503489 Mach Pin Rear Cyl Pin 13
- 3503490 Mach Port Spacer 17
- 3503491 Hose 17
- 3503492 Hose 17
- 3503496 Shim Set Blade 11
- 3503509 Mach Tooth RH C'Bore 2pt 11
- 3503510 Mach Tooth LH C'Bore 2pt 11
- 3503513 Mach Tooth LH C'Bore 1pt 11
- 3503645 Mach Tooth Tapped 1pt 11
- 3503646 Mach Tooth Tapped 2pt 11
- 3503647 Mach Blade 11
- 3503648 Mach Tooth RH Tapped 1.5pt 11
- 5512411 Mach Grease Bulkhead Adapter 27, 29, 31, 33
- 5512419 Mach Slewing Ring Grease Adapter 27, 29, 31, 33
- 6100092 Slewing Ring 27
- 6100397 Slewing Ring 27
- 6200002 Grease Fitting 7, 13, 27, 29, 31, 33
- 6300018 Adapter 06MB-06MO 33
- 6300075 Plug Socket Head 02MB 21, 23
- 6300077 Plug Socket Head 10MB 27
- 6300134 Mach Dowel 7
- 6300153 Plug Socket Head 06MB 19, 21, 23, 27, 31, 33
- 6300305 Adapter 10MB-10MO-90 27
- 6300361 Valve Flow Control 35
- 6300364 Filter 35
- 6300429 Slewing Ring 29, 31
- 6300430 Slewing Ring 33
- 6300497 Adaptor Bulkhead 08MB-08MO 35
- 6300609 Valve Line Body 35
- 6300621 Valve Shuttle CSAB-XXV 19, 21, 23
- 6300623 Valve Logic DKJS-XHV 21, 23
- 6300625 Valve PSI Reducer PRDB-LWV 19, 21, 23
- 6300638 O-Ring 1p-3705 High PSI Seal 2.0 OD 19, 21, 23
- 6300723 O-Ring 1p-3705 High PSI Seal 2.25 OD 19, 21, 23
- 6300731 Adapter 02MP-04MO 27, 29, 31, 33
- 6300768 Adapter 04MB-04MO-90 27
- 6300903 Mach Orifice 19, 21, 23
- 6301076 Adapter Bulkhead 06MO-06MO 27
- 6301202 Flow Control Sub-Assembly 27, 29, 31
- 6301254 Valve - GenFlow 17
- 6301255 Valve - GenFlow 17
- 6302658 Valve Line Body 35
- 6302659 Flow Control Sub-Assy 33
- 6302660 Bracket Hose Stem Lock Lock 90 33
- 6302661 Manifold Case Drain 33
- 6310004 Adapter 17
- 6310050 Adaptor Bulkhead 08MB-08MO 35
- 6310082 Adapter 12MB-08MO-90 29, 31, 33
- 6310183 Adaptor 08MB-08MB 35
- 6310191 Mach Port Spacer 17
- 6310199 Mach Port Spacer 17
- 6310256 Mach Port Spacer 17
- 6310305 Adapter 04MBSPP-06MO-90 33
- 6310361 Adapter 17
- 6350102 Hydraulic Cylinder 17
- 6350114 Hydraulic Cylinder 17
- 6350126 Hydraulic Cylinder 17
- 6350127 Assembly Swivel Manifold 29, 39
- 6350135 Assembly Swivel Manifold 31, 41
- 6350153 Hydraulic Cylinder 17
- 6350168 Assembly Swivel Manifold 33, 41
- 6350170 Hydraulic Cylinder 17
- 6350185 Assembly Swivel Manifold 27, 37
- 6360102 Valve Rotate C'over/C'bal 27
- 6360120 Valve - GenFlow 17
- 6360143 Valve Rotate Cross-over / C'bal 29, 31
- 6360147 Valve Rotate Crossover / C'bal 33
- 6380038 Valve Logic DKHS-XHV 19
- 6380083 Motor 29, 31
- 6380088 Valve Check COJA-XGV 21, 23
- 6380102 Motor Sub-Assembly 27
- 6380209 Valve Check COHA-XCV 19
- 6380210 Motor 33
- Access Covers 24, 25
- Assembly Blade Kit - GDT 190 - 590 5, 8, 9
- Assembly Blade Kit - GDT 890 10, 11
- Assembly Cylinder 16, 17
- Assembly Cylinder Pins 5, 12, 13
- Assembly Lugs 5, 14, 15
- Assembly Pivot Group 5
- Assembly Pivot Group - Right Side 6, 7
- Assembly Sub-Head 5
- Bar Strap 15
- Bolt Drive Specifications 49

INDEX

Bolt Torque Specifications	43, 47
Bracket Fasteners	15
Contact Information	2, 57
Cylinder Seal Kit	17
F0110020 Hex Head Capscrew M10 x 1.5 x 20	27, 29, 31, 33
F0110030 Hex Head Capscrew M10 x 1.5 x 30	33
F0110035 Hex Head Capscrew M10 x 1.50 x 35	42
F0110040 Hex Head Capscrew M10 x 1.50 x 40	42
F0110100 Hex Head Capscrew M10 x 1.5 x 100	17, 33
F0110110 Hex Head Capscrew M10 x 1.5 x 110	17
F0112020 Hex Head Capscrew M12 x 1.75 x 20	33
F0112025 Hex Head Capscrew M12 x 1.75 x 25	25, 27, 29, 31
F0112040 Hex Head Capscrew M12 x 1.75 x 40	42
F0112050 Hex Head Capscrew M12 x 1.75 x 50	17, 27, 29, 31, 33, 42
F0112130 Hex Head Capscrew M12 x 1.75 x 130	17
F0114050 Hex Head Capscrew M14 x 2.00 x 50	42
F0116035 Hex Head Capscrew M16 x 2.0 x 35	37
F0116040 Hex Head Capscrew M16 x 2.0 x 40	27, 29, 39
F0116045 Hex Head Capscrew M16 x 2.0 x 45	33
F0116170 Hex Head Capscrew M16 x 2.0 x 170	17, 42
F0120090 Hex Head Capscrew M20 x 2.5 x 90	27
F0120100 Hex Head Capscrew M20 x 2.5 x 100	27
F0120260 Hex Head Capscrew M20 x 2.5 x 260	31, 33, 41
F0124100 Hex Head Capscrew	9
F0124130 Hex Head Capscrew	9
F0124140 Hex Head Capscrew M24 x 3 x 140 Lower Blade Bolts	9
F0124200 Hex Head Capscrew M24 x 3 x 200 Upper Blade Bolts	9
F0127100 Hex Head Capscrew	9
F0127120 Hex Head Capscrew	9
F0127130 Hex Head Capscrew M27 x 3 x 130	9, 29, 31
F0127160 Hex Head Capscrew	9
F0130130 Hex Head Capscrew M30 x 3.5 x 130	33
F0130150 Hex Head Capscrew M30 x 3.5 x 150	9, 33
F0130190 Hex Head Capscrew M30 x 3.5 x 190	9
F0213575 Hex Head Capscrew 1¼ x 7 x 5.75	11
F0213600 Hex Head Capscrew 1¼ x 7 x 6.00	11
F0213750 Hex Head Capscrew 1¼ x 7 x 7.50	11
F0213825 Hex Head Capscrew 1¼ x 7 x 8.25	11
F0412030 Flat Head Cap Screw M12 x 1.75 x 30	7
F0608060 Socket Head Capscrew M8 x 1.25 x 60	27
F0610025 Socket Head Capscrew M10 x 1.5 x 25	27, 29, 31, 33
F0610035 Socket Head Capscrew M10 x 1.5 x 35	17
F0610130 Socket Head Capscrew M10 x 1.5 x 130	27
F0610170 Socket Head Capscrew M10 x 1.5 x 170	29
F0612025 Socket Head Capscrew M12 x 1.75 x 25	25
F0612030 Socket Head Capscrew M12 x 1.75 x 30	7
F0612070 Socket Head Capscrew M12 x 1.75 x 70	13
F0616150 Socket Head Capscrew	13
F0616170 Socket Head Capscrew M16 x 2.0 x 170	31, 33
F0620100 Socket Head Capscrew M20 x 2.5 x 100	13, 17
F0620130 Socket Head Capscrew M20 x 2.5 x 130	13
F0620160 Socket Head Capscrew M20 x 2.5 x 160	13
F0620180 Socket Head Capscrew M20 x 2.5 x 180	13
F0620200 Socket Head Capscrew M20 x 2.5 x 200	13
F0620230 Socket Head Capscrew M20 x 2.5 x 230	13
F0624060 Socket Head Capscrew M24 x 3 x 60	7
F0627080 Socket Head Capscrew M27 x 3 x 80	7
F0731300 Socket Head Capscrew 5/16 - 18 x 3	29, 31
F1012175 Nylock Hex Nut M12	13
F1016200 Nylock Hex Nut M16 x 2	13
F1020250 Nylock Hex Nut M20 x 2.5	13
F1201021 Flat Washer M10	27, 29, 31, 33
F1201224 Flat Washer M12	7, 25, 27, 29
F1201630 Flat Washer M16	27
F1202037 Flat Washer M20	27
F1202444 Washer	9
F1202750 Flat Washer	9
F1401000 Lock Washer M10	17, 42
F1401200 Lock Washer M12	17, 25, 27, 29, 42
F1401400 Lock Washer M14	42
F1900040 Washer 10mm	33
F1900050 Wedge Lock Washer ½	27, 29, 31, 33
F1900063 Wedge Lock Washer ⅝	17, 29, 33, 37, 39, 42
F1900075 Wedge Lock Washer ¾	31, 33, 41
F2512012 Socket Head Set Screw M12 x 1.75 x 12	7
F2802700 Hytorc Washer M27	29, 31
F2803000 Washer M30	33
F2803300 Washer	11
GDT 190 & 290 Assembly Sub-Head	26, 27
GDT 190 & 290 Assembly Swivel Manifold	36, 37, 39
GDT 190 & 290 Regen Block Sub-Assembly 6301255	18, 19
GDT 390 Assembly Sub-Head	28, 29
GDT 390 Assembly Swivel Manifold	38, 39
GDT 390 Regen Block Sub-Assembly 6301254	20, 21
GDT 590 & 890 Assembly Swivel Manifold	40, 41
GDT 590 Assembly Sub-Head	30, 31, 32, 33
GDT 590 Regen Block Sub-Assembly 6360120	22, 23
General Arrangement	4, 5
H0261100 Split Flange Half 1.00 Code 61	17, 42
H0262100 Split Flange Half 1.00 Code 62	17, 27, 29, 42
H0262125 Split Flange Half 1.25 Code 62	17, 31, 33, 42
H0262150 Split Flange Half 1.50 Code 62	17, 42
H0362100 Split Flange Plug 1.00	27, 29
H0362125 Split Flange Plug 1.25 Code 62	31, 33
Hex Head Capscrew	15
Mach Main Shaft	7

INDEX

Mach Pin Keeper 15
Mach Regen Manifold 19, 21, 23
Mach Spacer Sleeve 15
O-Ring Boss & Flat Face O-Ring Torque Specifications 48
Parts Order Form 52
Parts Order Policy and Procedure 51
Plt Cover 25
Procedures 45, 46
S0190219 O-Ring 17, 27, 29, 42
S0190222 O-Ring 17, 31, 33, 42
S0190225 O-Ring 17, 42
S0190244 O-Ring 7
S0190270 O-Ring 7
S0190274 O-Ring 7
S0190372 Shim Set 7
S0190376 O-Ring 7
S0691620 O-Ring 27
Seal Kit 6300622 19, 21, 23
Seal Kit 6300624 21, 23
Seal Kit 6300634 35
Seal Kit SK00024 21, 23
Seal Kit SK00026 19
Seal Kit SK00043 19
Seal Kit SK00047 21, 23
Split Flange Kits Used in This Manual 42
Stick Pin Decal 15
Sub-Assembly Line Mount Manifold 34, 35
Table of Contents 3
Thread Treatment Diagram 44
Torque Arm Kit 37, 39, 41
Warranty 50
Washer 15
Wldt Link Pin 15
Wldt Stick Pin 15
Wtmg Lugs 15
Wtmg Stick 5
Wtmg Upper 5



GENESIS®

The Promise of Performance.

CONTACT INFORMATION

Genesis Attachments

1000 Genesis Drive
Superior, WI 54880 USA

Toll Free: 888-SHEAR-IT
(888-743-2748)

Phone: 715.395.5252

E-mail:
info@genesisattachments.com

Europe/Africa/Middle East Genesis GmbH

Teramostrasse 23
87700 Memmingen, Germany

Phone: +49 83 31 9 25 98 0

Fax: +49 83 31 9 25 98 80

genesis-europe.com

E-mail:
info@genesis-europe.com

Asia Pacific Representative Office

24 Upper Serangoon View #12-28
Singapore 534205

Phone: +65 9673 9730

E-mail:
tchoo@genesisattachments.com

Central America & Colombia

Cra 13A #89-38 / Ofi 613
Bogota, Colombia

Phone: +57 1 610 8160 / 795 8747

E-mail:
contact@themsagroup.com

View and download all manuals: genesisattachments.com/manuals

Patents: genesisattachments.com/products/patents