

Rotator Installation / Case-Drain Line

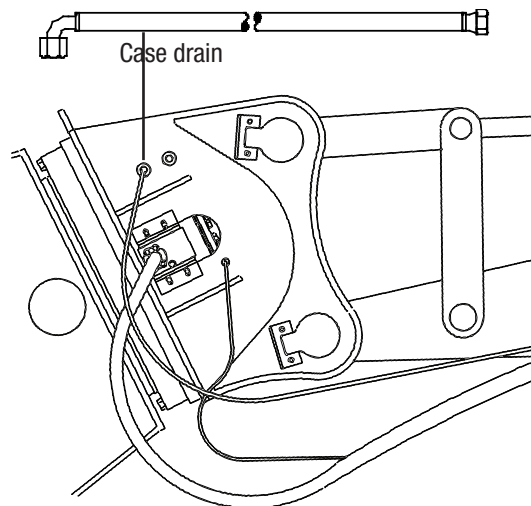
The rotator requires a 1/2" minimum case-drain line with a minimum working pressure rating of 250 psi. **Run the case-drain line from the rotation head of the attachment to a dedicated filter on the excavator, plumbed directly into the main section of the hydraulic tank. Do not plumb to the return side of the tank.**

The maximum case-drain pressure measured at the motor while attempting to rotate the attachment stalled on the ground is 40 psi for an axial piston motor. Gerotor type motors may or may not require a case drain. If three O-ring face seal bulkheads are present on your sub-head, a case drain is required. If you are unsure of your motor type or if a case drain is required, contact the Genesis Parts or Service Department with the serial number of your attachment.

Case-drain pressures will rise during cold weather operation.

Use the correct fittings. Secure the case-drain line to the excavator stick.

Do not plumb the case-drain into the main return system or into any other existing case drain or return circuit. Plumb only to the hydraulic tank.



This document is a quick reference only. It does not replace the product safety and operator's manuals, which must be followed by all operators and maintenance personnel.

Rotator Installation / Case-Drain Line

Attachment	Case-Drain	Minimum Case-Drain Size
GXT 115R - GXT 335R	No	N/A
GXT 445R - GXT 995R	Yes	1/2"
GXT 1555R - GXT 2555R	Yes	3/4"
GXP 200R & GXP 300R	No	N/A
GXP 400R - GXP 1000R	Yes	1/2"
GXP 1200R - GXP 2500R	Yes	3/4"
GRP 480	Yes	1/2"
GRB 30 & GRB 90	Yes	1/2"
GDP 655	Yes	1/2"
GVP 07	No	N/A
GVP 15	Yes	1/2"
M7	No	N/A
GRX 195 - GRX 395	Yes	1/2"
GDT 190, GDT 290 & GDT 890	Yes	1/2"
GDT 390 & GDT 590	No	N/A
GDR 150 - GDR 400	No	N/A
LXP® 200 & LXP® 300	Yes	1/2"
LXP® 400 - LXP® 800	Yes	3/4"
GHG 16 - GHG 125	No	N/A
GCP 410R	No	N/A
GCP 610R	Yes	1/2"
GSG 50 - GSG 250	No	N/A
GSG 100HD & GSG 125HD	No	N/A

This document is a quick reference only. It does not replace the product safety and operator's manuals, which must be followed by all operators and maintenance personnel.