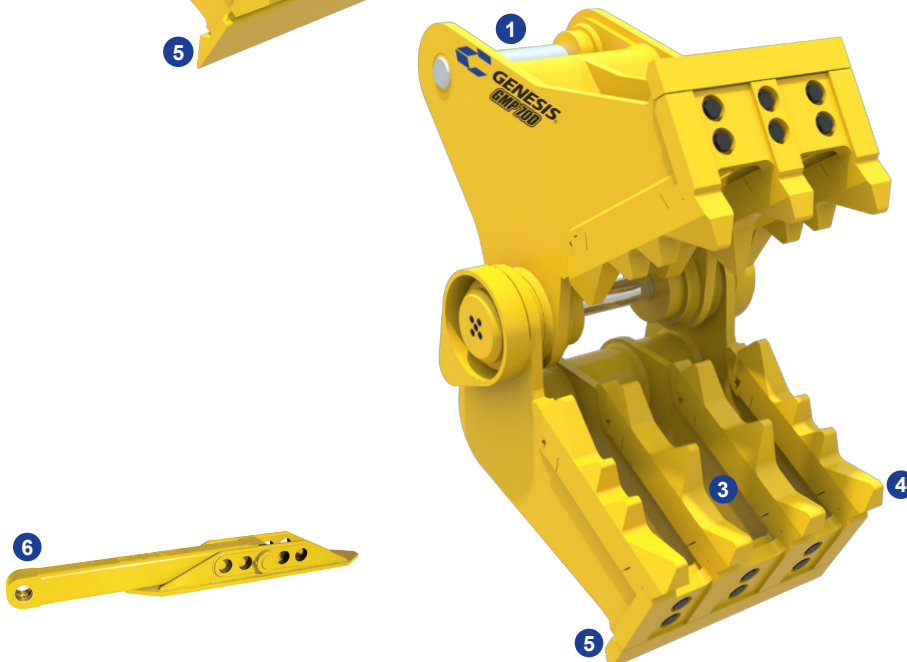
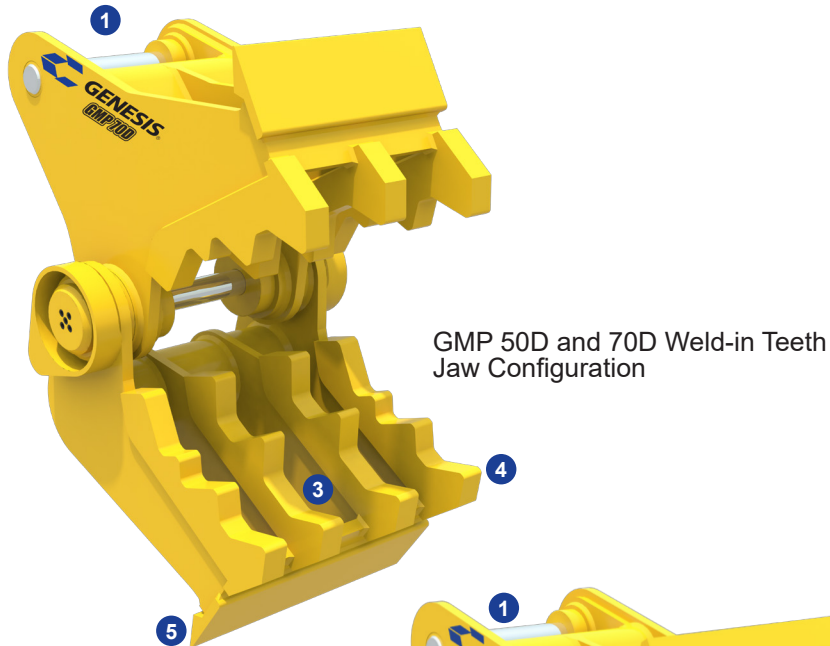


Mechanical Pulverizer D Series (GMP D)

FEATURES

- 1 Extended link pin position provides optimal power
- 2 Available in two models:
 - With weld-in teeth that can be rebuilt in place for extended life
 - or
 - With patented bolt-in teeth that are easily replaced in the field for minimal downtime and can be rotated front to back for longer life
- 3 Pass-through jaw design provides easy material processing and prevents jamming
- 4 All teeth extend beyond chin to protect parent steel from wear and abrasion
- 5 Extended chin blades aid in positioning concrete for processing
- 6 Stiff arm and mounting pad included



APPLICATIONS

- Demolition
- C&D Processing
- Concrete Recycling

Metric Specs:

Model	Weight*	Jaw Opening**	Jaw Depth	Moving Jaw Width	Fixed Jaw Width	Tooth Configuration	Excavator Weight
	(kg)	(mm)	(mm)	(mm)	(mm)		(mt)
GMP 50D	2,109	914	635	610	813	3/4	18 - 27
GMP 70D	2,291	1,016	737	673	864	3/4	27 - 36
GMP 90D	2,903	1,118	826	826	1,016	4/5	36 - 50

*Weight includes mounting bracket and stiff arm.

**Jaw opening varies slightly depending on excavator mounting location.

All Genesis Mechanical Pulverizers are covered by a 12-month, 1,500-hour (whichever occurs first) warranty.

Genesis reserves the right to continually make product improvements designed to positively enhance performance.

Patents: genesisattachments.com/products/patents