

Scrap Grapple (GSG)

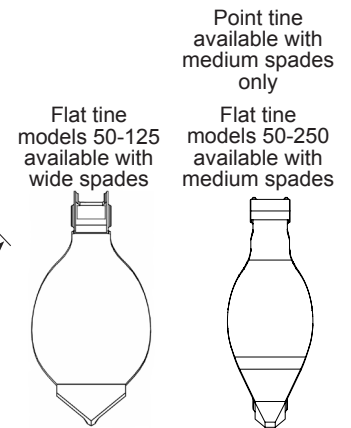
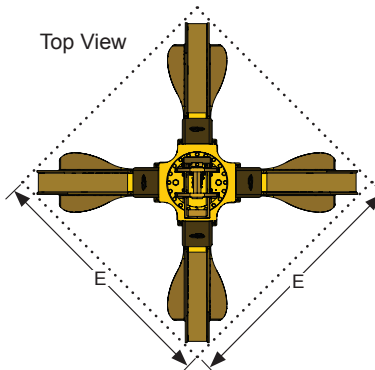
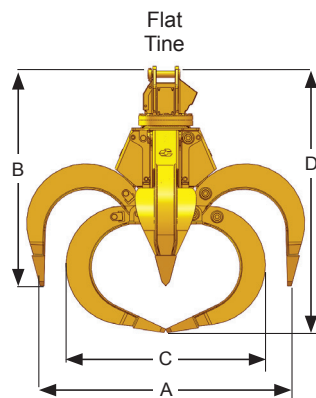
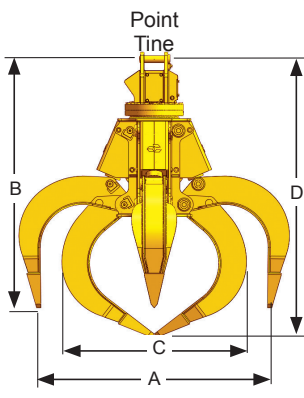


FEATURES

- 1 Heavy-duty guarding system completely protects cylinders and internal components, removes easily for internal maintenance access
- 2 Large bore hydraulic cylinders maximize clamping force
- 3 High-torque continuous 360° rotation for handling large and uneven loads
- 4 Large diameter hardened steel pins with integrated shear-proof pin retainers
- 5 Long-life, abrasion-resistant steel tips are easily replaced with simple perimeter weld
- 6 All tine styles feature fully boxed construction for strength and durability

APPLICATIONS

- Scrap Handling
- Bulk Material Handling
- C&D Sorting



Metric Specs:

Model	Capacity (m ³)	Weight** (kg)	Min. Machine Size (mt)	DIAGRAM DIMENSION		A		B		C		D		E		
				Capacity	Weight	Jaw Open Width (mm)	Jaw Open Height (mm)	Jaw Closed Width (mm)	Jaw Closed Height (mm)	Footprint (mm)						
				Tine Shape:												
				Flat	Point	Flat	Point	Flat	Point	Flat	Point	Flat	Point	Flat	Point	
GSG 50	0.4	1,383	20	***	1,626	***	2,057	***	1,321	***	2,235	***	1,524			
GSG 65	0.5	1,429	20	***	1,753	***	2,108	***	1,372	***	2,311	***	1,626			
GSG 75	0.6	1,474	20	1,880	1,930	***	2,159	***	1,499	2,311	2,413	***	1,778			
GSG 100	0.8	1,588	22	2,007	2,032	***	2,286	***	1,727	2,362	2,540	***	1,854			
GSG 100 HD*	0.8	1,950	25	1,981	2,007	1,956	2,184	1,676	1,600	2,311	2,489	1,803	1,829			
GSG 125	1	1,633	22	2,261	2,184	***	2,337	***	1,803	2,489	2,565	***	2,007			
GSG 125 HD*	1	2,041	27	2,159	2,184	2,007	2,235	1,803	1,702	2,413	2,591	1,956	1,981			
GSG 150	1.1	2,177	30	2,311	2,261	2,057	2,388	1,905	1,829	2,540	2,743	2,032	2,057			
GSG 200	1.5	2,268	40	2,438	2,413	2,083	2,438	1,981	1,930	2,616	2,845	2,134	2,184			
GSG 250	1.9	2,585	45	2,743	2,667	2,134	2,540	2,184	2,159	2,769	2,997	2,388	2,413			

*Heavy-duty

**Weight includes yoke

***Contact your local Genesis Regional Manager for additional information

Genesis Scrap Grapples are covered by a 12-month, 1,500-hour (whichever occurs first) warranty. Genesis reserves the right to continually make product improvements designed to positively enhance product performance. Patents: genesisattachments.com/patents