

Logix Processor (LXP[®])



FEATURES

- 1 Jaw change-outs in 15 minutes with the coupler style connection system, hydraulically activated lock pin, jaws that stay intact and a stand with every jaw set – safe, easy and fast
- 2 Proprietary regeneration valve improves cycle time by up to 33% compared to standard hydraulic systems
- 3 Patented pivot system provides a power curve to match the jaw's primary application:
 - peak power at pierce for shear jaw
 - peak power at fully open for cracker and pulverizer jaws
- 4 Each jaw's pivot group stays intact, allowing the use of a press fit design for a stronger, more durable product.
- 5 Heavy-duty pivot design with recessed caps provides structural strength and long-term durability
- 6 Reverse mounted cylinders protect the rods from debris
- 7 Enclosed structure adds strength and rigidity while protecting the cylinders

Shear Jaws:

- 8 Patented bolt-on piercing tip is replaced in minutes without grinding or welding
- 9 Exclusive dual guide blade system accommodates heat expansion at the tip while maintaining tighter tolerances where the primary cutting blades pass (300 - 800 models only)
- 10 Four-way indexable guide blades, razor blade and primary blades provide four useable cutting edges

APPLICATIONS

- Demolition
- Bridge Demolition
- Structural Steel
- Rebar
- Wire
- Aluminum
- Copper



Metric Specs:

| Model | Weight* | Jaw Opening | Jaw Depth | Reach** | Minimum Excavator Weight | |
|---------------|---------|-------------|-----------|---------|--------------------------|------------------|
| | (kg) | (mm) | (mm) | | Boom Mount (mt) | Stick Mount (mt) |
| LXP 200 Shear | 2,436 | 432 | 483 | 2,438 | 9 | 20 |
| LXP 200 CC | 2,563 | 965 | 711 | | | |
| LXP 200 CP | 2,572 | 737 | 610 | | | |
| LXP 300 Shear | 3,447 | 559 | 610 | 2,591 | 20 | 32 |
| LXP 300 CC | 3,429 | 1,092 | 762 | | | |
| LXP 300 CP | 3,298 | 889 | 660 | | | |
| LXP 400 Shear | 5,019 | 610 | 686 | 2,896 | 27 | 45 |
| LXP 400 CC | 5,055 | 1,194 | 851 | | | |
| LXP 400 CP | 5,105 | 965 | 762 | | | |
| LXP 500 Shear | 5,854 | 686 | 711 | 3,023 | 32 | 54 |
| LXP 500 CC | 5,767 | 1,295 | 876 | | | |
| LXP 500 CP | 5,536 | 1,092 | 787 | | | |
| LXP 800 Shear | 7,938 | 1,016 | 889 | 3,556 | 41 | 68 |
| LXP 800 CC | 7,983 | 1,803 | 1,270 | | | |
| LXP 800 CP | 8,038 | 1,549 | 991 | | | |

*Weight includes mounting bracket to attach to excavator.

**Distance is measured from the attachment mounting pivot (boom or stick) forward.

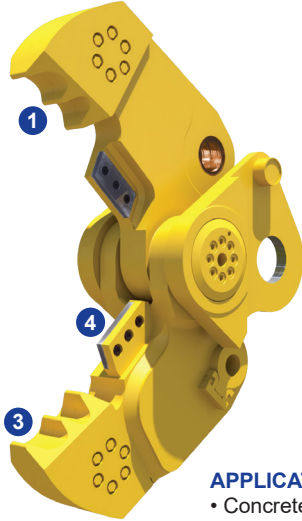
Genesis Logix Processors are covered by a 12-month, 1,500-hour (whichever occurs first) warranty.

Genesis reserves the right to continually make product improvements designed to positively enhance performance.

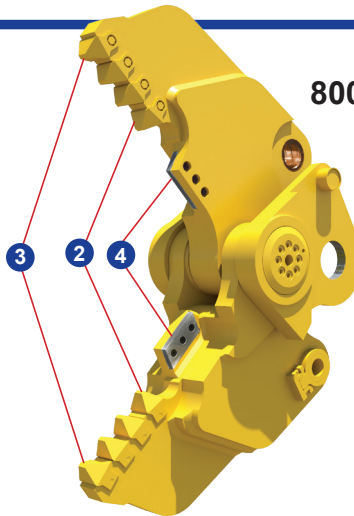
Patents: genesissattachments.com/products/patents

Cracker Jaws

200 - 500



800



APPLICATIONS

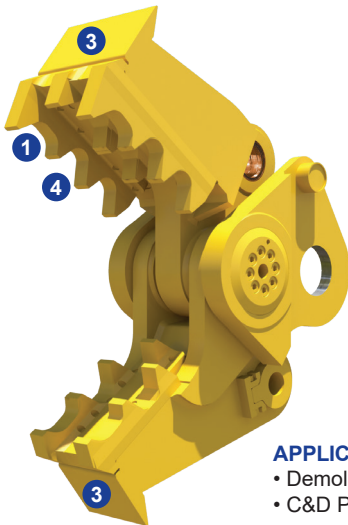
- Concrete Recycling
- C&D Processing
- Rebar
- Demolition

FEATURES

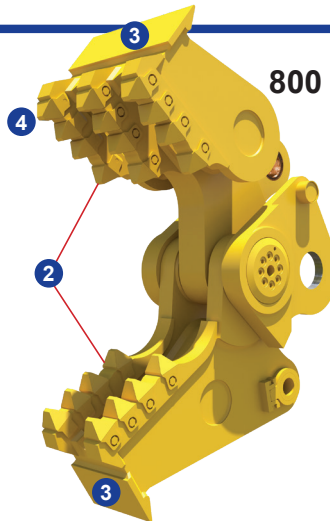
- 1 Teeth are easy to change and fully protect the parent material, eliminating the need for build-up and hard-surfacing (200 - 500 models only)
- 2 Bolt-on teeth and blades reduce maintenance and downtime (800 model only)
- 3 Cracker tips concentrate force for a greater ability to crush through heavy concrete
- 4 Indexable blades provide two useable cutting edges

Pulverizer Jaws

200 - 500



800



APPLICATIONS

- Demolition
- Concrete Recycling
- C&D Processing
- Rebar

FEATURES

- 1 Bolt-on tooth bed features a fully replaceable crushing surface, eliminating the need for welding (200 - 500 models only)
- 2 Bolt-on teeth reduce maintenance and downtime (800 model only)
- 3 Extended wear plates aid in positioning concrete for processing
- 4 Tips concentrate force for a greater ability to crush through heavy concrete

Jaw Stands



Weight:

LXP 200 & 300: 308 kg

LXP 400 & 500: 354 kg

LXP 800: 500 kg