

Logix Processor (LXP[®])



FEATURES

- 1 Jaw change-outs in 15 minutes with the coupler style connection system, hydraulically activated lock pin, jaws that stay intact and a stand with every jaw set – safe, easy and fast
- 2 Proprietary regeneration valve improves cycle time by up to 33% compared to standard hydraulic systems
- 3 Patented pivot system provides a power curve to match the jaw's primary application:
 - peak power at pierce for shear jaw
 - peak power at fully open for cracker and pulverizer jaws
- 4 Each jaw's pivot group stays intact, allowing the use of a press fit design for a stronger, more durable product.
- 5 Heavy-duty pivot design with recessed caps provides structural strength and long-term durability
- 6 Reverse mounted cylinders protect the rods from debris
- 7 Enclosed structure adds strength and rigidity while protecting the cylinders

Shear Jaws:

- 8 Patented bolt-on piercing tip is replaced in minutes without grinding or welding
- 9 Exclusive dual guide blade system accommodates heat expansion at the tip while maintaining tighter tolerances where the primary cutting blades pass (300 - 800 models only)
- 10 Four-way indexable guide blades, razor blade and primary blades provide four useable cutting edges

APPLICATIONS

- Demolition
- Bridge Demolition
- Structural Steel
- Rebar
- Wire
- Aluminum
- Copper



Model	Weight*	Jaw Opening	Jaw Depth	Reach**	Minimum Excavator Weight	
	(lbs.)	(ins.)	(ins.)		Boom Mount (lbs.)	Stick Mount (lbs.)
LXP 200 Shear	5,370	17	19	8' 0"	20,000	45,000
LXP 200 CC	5,650	38	28			
LXP 200 CP	5,670	29	24			
LXP 300 Shear	7,600	22	24	8' 6"	45,000	70,000
LXP 300 CC	7,560	43	30			
LXP 300 CP	7,270	35	26			
LXP 400 Shear	11,065	24	27	9' 6"	60,000	100,000
LXP 400 CC	11,145	47	33.5			
LXP 400 CP	11,255	38	30			
LXP 500 Shear	12,905	27	28	9' 11"	70,000	120,000
LXP 500 CC	12,715	51	34.5			
LXP 500 CP	12,205	43	31			
LXP 800 Shear	17,500	40	35	11' 8"	90,000	150,000
LXP 800 CC	17,600	71	50			
LXP 800 CP	17,720	61	39			

*Weight includes mounting bracket to attach to excavator.

**Distance is measured from the attachment mounting pivot (boom or stick) forward.

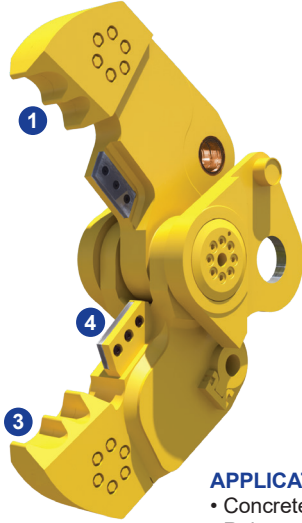
Genesis Logix Processors are covered by a 12-month, 1,500-hour (whichever occurs first) warranty.

Genesis reserves the right to continually make product improvements designed to positively enhance performance.

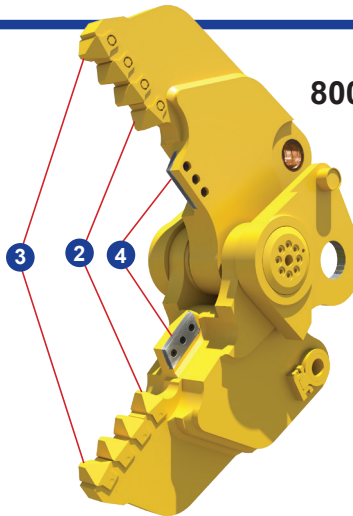
Patents: genesisattachments.com/products/patents

Cracker Jaws

200 - 500



800



APPLICATIONS

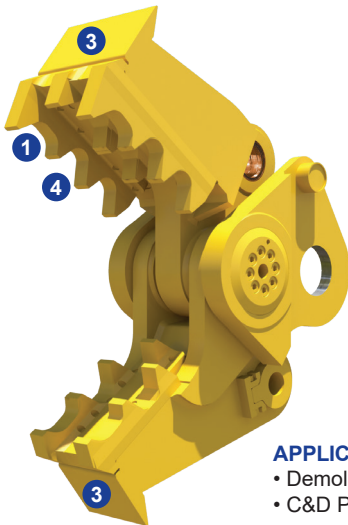
- Concrete Recycling
- C&D Processing
- Rebar
- Demolition

FEATURES

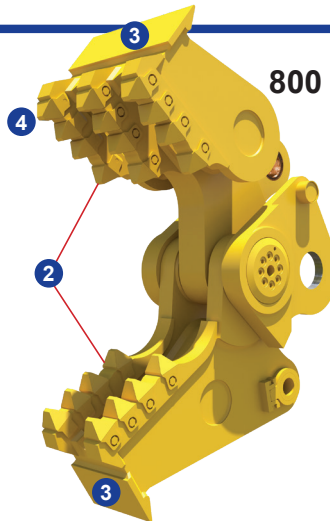
- 1 Teeth are easy to change and fully protect the parent material, eliminating the need for build-up and hard-surfacing (200 - 500 models only)
- 2 Bolt-on teeth and blades reduce maintenance and downtime (800 model only)
- 3 Cracker tips concentrate force for a greater ability to crush through heavy concrete
- 4 Indexable blades provide two useable cutting edges

Pulverizer Jaws

200 - 500



800



APPLICATIONS

- Demolition
- Concrete Recycling
- C&D Processing
- Rebar

FEATURES

- 1 Bolt-on tooth bed features a fully replaceable crushing surface, eliminating the need for welding (200 - 500 models only)
- 2 Bolt-on teeth reduce maintenance and downtime (800 model only)
- 3 Extended wear plates aid in positioning concrete for processing
- 4 Tips concentrate force for a greater ability to crush through heavy concrete

Jaw Stands



Weight:

LXP 200 & 300: 680 lbs.

LXP 400 & 500: 780 lbs.

LXP 800: 1,100 lbs.