



GXT 995R Mobile Shear

PARTS MANUAL



CONTACT INFORMATION

Genesis Attachments

1000 Genesis Drive
Superior, WI 54880 USA

Toll Free: 888-SHEAR-IT
(888-743-2748)

Phone: 715.395.5252

E-mail:
info@genesisattachments.com

Europe/Africa/Middle East Genesis GmbH

Teramostrasse 23
87700 Memmingen, Germany

Phone: +49 83 31 9 25 98 0
Fax: +49 83 31 9 25 98 80
genesis-europe.com

E-mail:
info@genesis-europe.com

Asia Pacific Representative Office

24 Upper Serangoon View #12-28
Singapore 534205

Phone: +65 9673 9730

E-mail:
tchoo@genesisattachments.com

Central America & Colombia

Cra 13A #89-38 / Ofi 613
Bogota, Colombia

Phone: +57 1 610 8160 / 795 8747

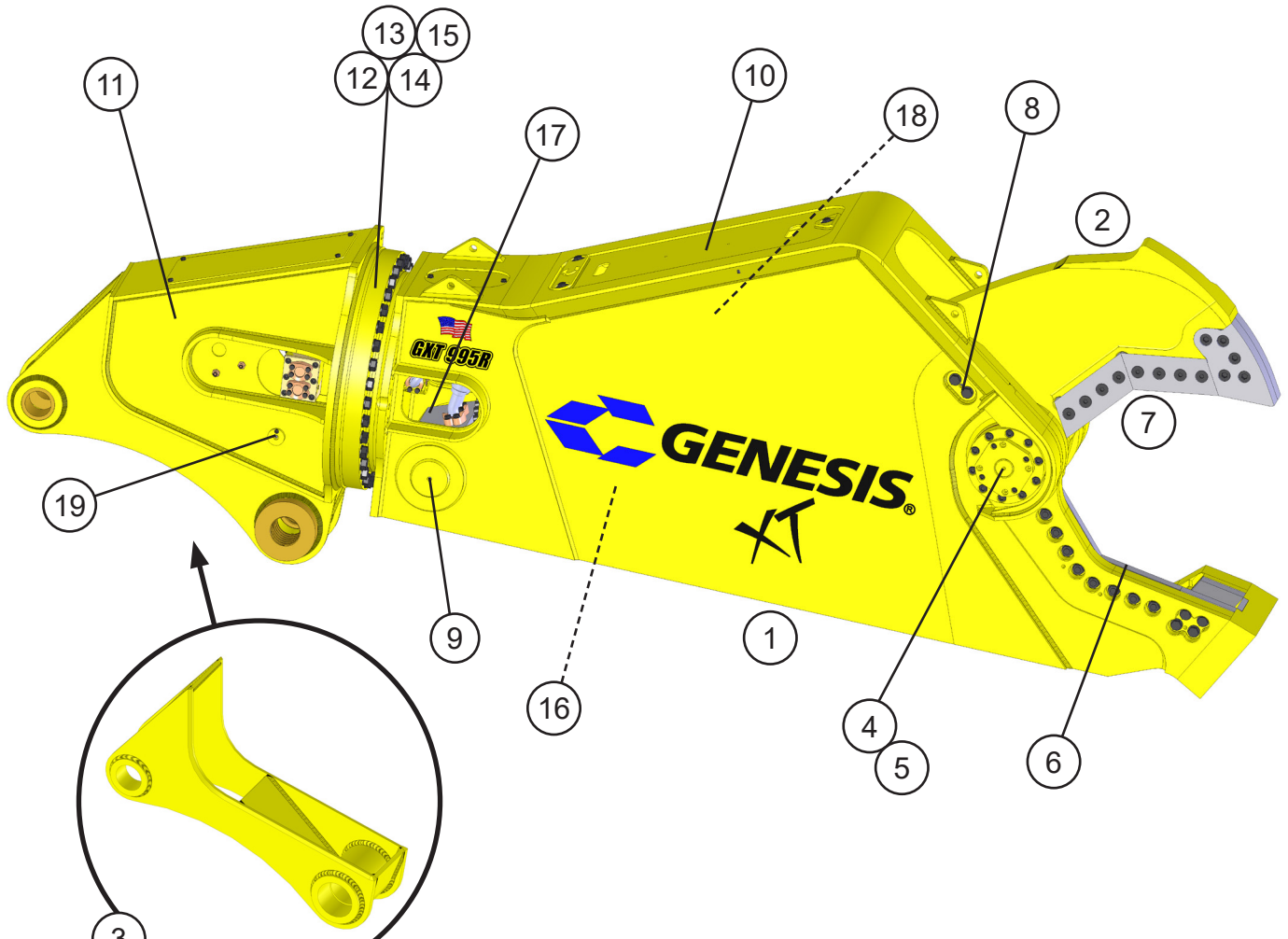
E-mail:
contact@themsagroup.com

View and download all manuals: genesisattachments.com/manuals
Patents: genesisattachments.com/products/patents

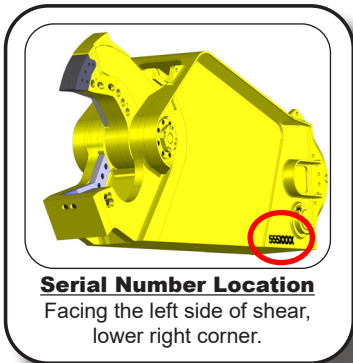
TABLE OF CONTENTS

CONTACT INFORMATION	2
GENERAL ARRANGEMENT	4
ASSEMBLY PIVOT GROUP - RIGHT SIDE	6
ASSEMBLY PIVOT GROUP - LEFT SIDE	8
ASSEMBLY LOWER BLADES	10
ASSEMBLY UPPER BLADES	12
ASSEMBLY AUTO GUIDE	14
ASSEMBLY CYLINDER PINS	16
ASSEMBLY ACCESS COVERS	18
ASSEMBLY UPPER HEAD	20
ASSEMBLY ROTATION	22
ASSEMBLY ROTATION CIRCUIT	24
SUB-ASSEMBLY ROTATE CROSS-OVER / C'BAL	26
SUB-ASSEMBLY LINE MOUNT MANIFOLD	28
ASSEMBLY OPEN AND CLOSE CIRCUIT - 6350081	30
ASSEMBLY OPEN AND CLOSE CIRCUIT - 6350092	32
ASSEMBLY SWIVEL MANIFOLD	34
REGEN BLOCK SUB-ASSEMBLY - 6360021	36
REGEN BLOCK SUB-ASSEMBLY - 6360024	38
ASSEMBLY SLEWING RING LUBRICATION	40
BOLT TORQUE SPECIFICATIONS	42
THREAD TREATMENT DIAGRAM	43
Mobile Shears.....	43
PROCEDURES	44
Cleaning.....	44
Threadlocker.....	44
Anti-Seize.....	45
No Thread Treatment.....	45
BOLT TORQUE SPECIFICATIONS	46
Dry Torque Values.....	46
Wet Torque Values.....	46
O-RING BOSS & FLAT FACE O-RING TORQUE SPECIFICATIONS	47
BOLT DRIVE SPECIFICATIONS	48
WARRANTY	49
Claim Procedure.....	49
Blade Warranty.....	49
PARTS ORDER POLICY AND PROCEDURE	50
Parts Orders Should Include.....	50
Placing Orders.....	50
Part Numbers.....	50
Shipping.....	50
Invoices.....	50
Returns.....	50
Warranty Returns.....	50
PARTS ORDER FORM	51
INDEX	52
CONTACT INFORMATION	54

GENERAL ARRANGEMENT



3
Wtmg Lug Upper Head
 Part Number is Serial Number specific.
 For replacement parts call the Genesis
 Parts Department.
USA **Europe**
 715-395-5614 +49 83 31 9 25 98 0
 715-395-3405



Serial Number Location
 Facing the left side of shear,
 lower right corner.

GENERAL ARRANGEMENT

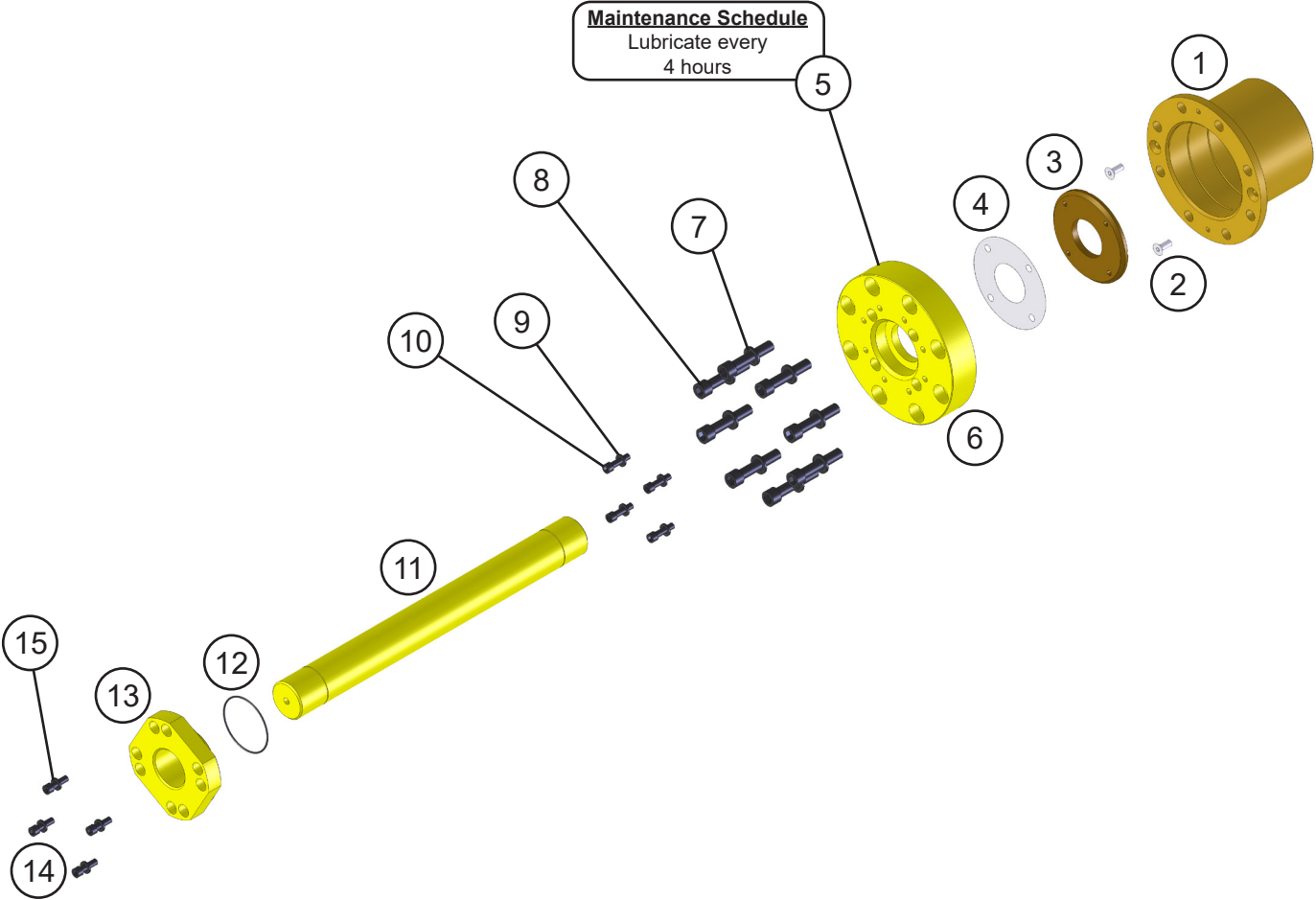
ITEM	QTY	PART NUMBER	DESCRIPTION
1	1	*	Wtmg Stick
2	1	*	Wtmg Upper
3		*	Wtmg Lug Upper Head
4		See page 6	Assembly Pivot Group - Right Side
5		See page 8	Assembly Pivot Group - Left Side
6		See page 10	Assembly Lower Blades
7		See page 12	Assembly Upper Blades
8		See page 14	Assembly Auto Guide
9		See page 16	Assembly Cylinder Pins
10		See page 18	Assembly Access Covers
11		See page 20	Assembly Upper Head
12		See page 22	Assembly Rotation
13		See page 24	Assembly Rotation Circuit
14		See page 26	Sub-Assembly Rotate Cross-over / C'bal
15		See page 28	Sub-Assembly Line Mount Manifold
16		See page 30 & page 32	Assembly Open and Close Circuit
17		See page 34	Assembly Swivel Manifold
18		See page 36 & page 38	Sub-Assembly Regen Block
19		See page 40	Assembly Slewing Ring Lubrication

* Part numbers are Serial Number specific. For replacement parts call the Genesis Parts Department.

USA
715-395-3488

Europe
+49 83 31 9 25 98 0

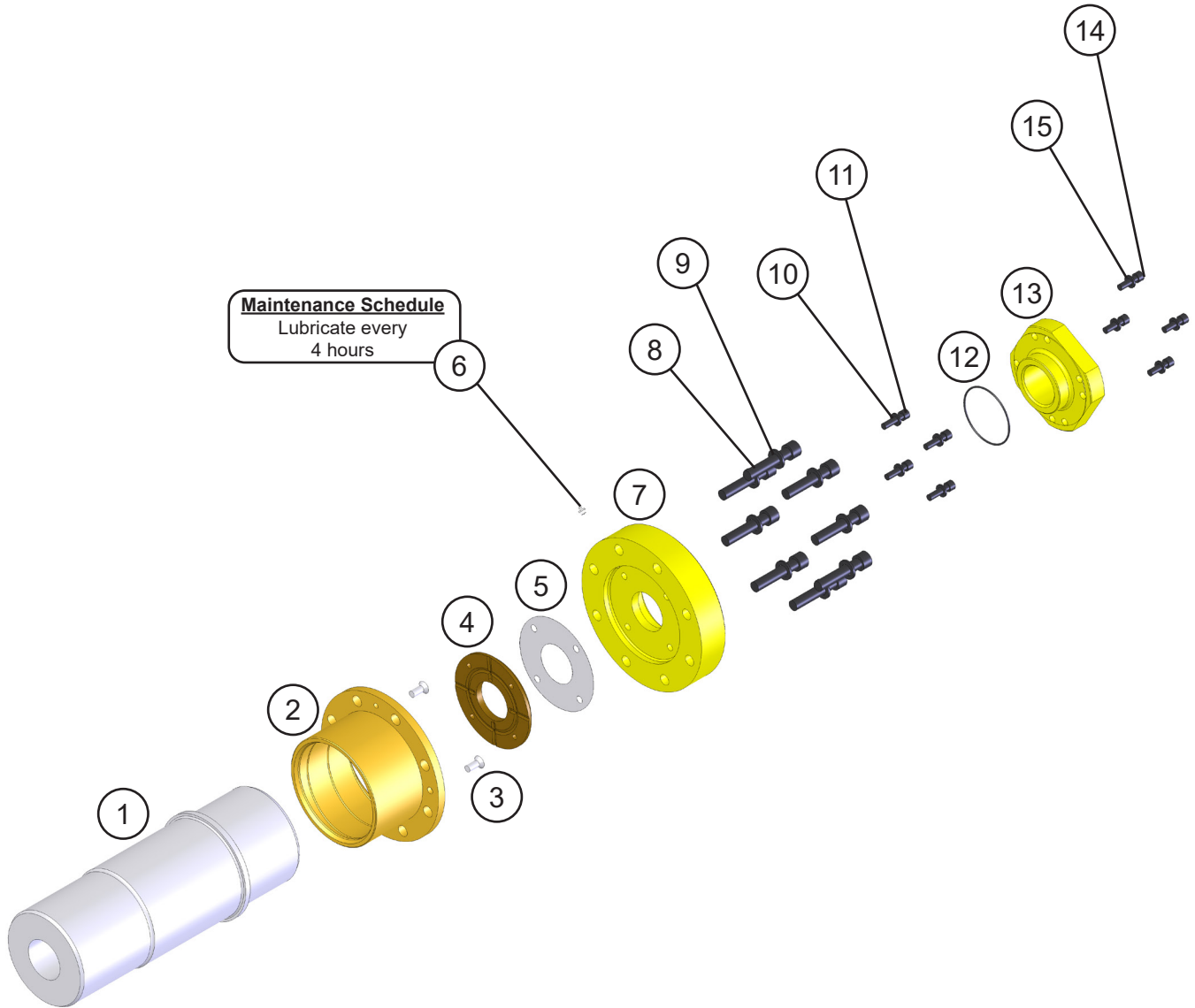
ASSEMBLY PIVOT GROUP - RIGHT SIDE



ASSEMBLY PIVOT GROUP - RIGHT SIDE

ITEM	QTY	PART NUMBER	DESCRIPTION
1	1	1104799	Mach Bearing
2	2	F0412030	Flat Head Capscrew M12 x 1.75 x 30
3	1	1101646	Mach Thrust Washer
4	1	1101649	Shim Set Thrust Washer
5	1	6200002	Grease Fitting
6	1	1106667	Mach End Cap
7	10	F1202037	Flat Washer M20
8	10	F0620090	Socket Head Capscrew M20 x 2.50 x 90
9	4	F1201021	Flat Washer M10
10	4	F0610035	Socket Head Capscrew M10 x 1.50 x 35
11	1	1106772	Mach Tie Rod
12	1	S0190350	O-Ring (90 Durometer -350)
13	1	1106669	Mach Tie Rod Nut
14	4	F0612040	Socket Head Capscrew M12 x 1.75 x 40
15	4	F1201224	Flat Washer M12

ASSEMBLY PIVOT GROUP - LEFT SIDE



ASSEMBLY PIVOT GROUP - LEFT SIDE

ITEM	QTY	PART NUMBER	DESCRIPTION
1	1	*	Mach Main Shaft
2	1	1104799	Mach Bearing
3	2	F0412030	Flat Head Capscrew M12 x 1.75 x 30
4	1	1101646	Mach Thrust Washer
5	1	1101649	Shim Set Thrust Washer
6	1	6200002	Grease Fitting
7	1	1106667	Mach End Cap
8	10	F1202037	Flat Washer M20
9	10	F0620090	Socket Head Capscrew M20 x 2.50 x 90
10	4	F1201021	Flat Washer M10
11	4	F0610035	Socket Head Capscrew M10 x 1.50 x 35
12	1	S0190350	O-Ring (90 Durometer -350)
13	1	1106669	Mach Tie Rod Nut
14	4	F0612040	Socket Head Capscrew M12 x 1.75 x 40
15	4	F1201224	Flat Washer M12

* Part number is Serial Number specific. For replacement parts call the Genesis Parts Department.

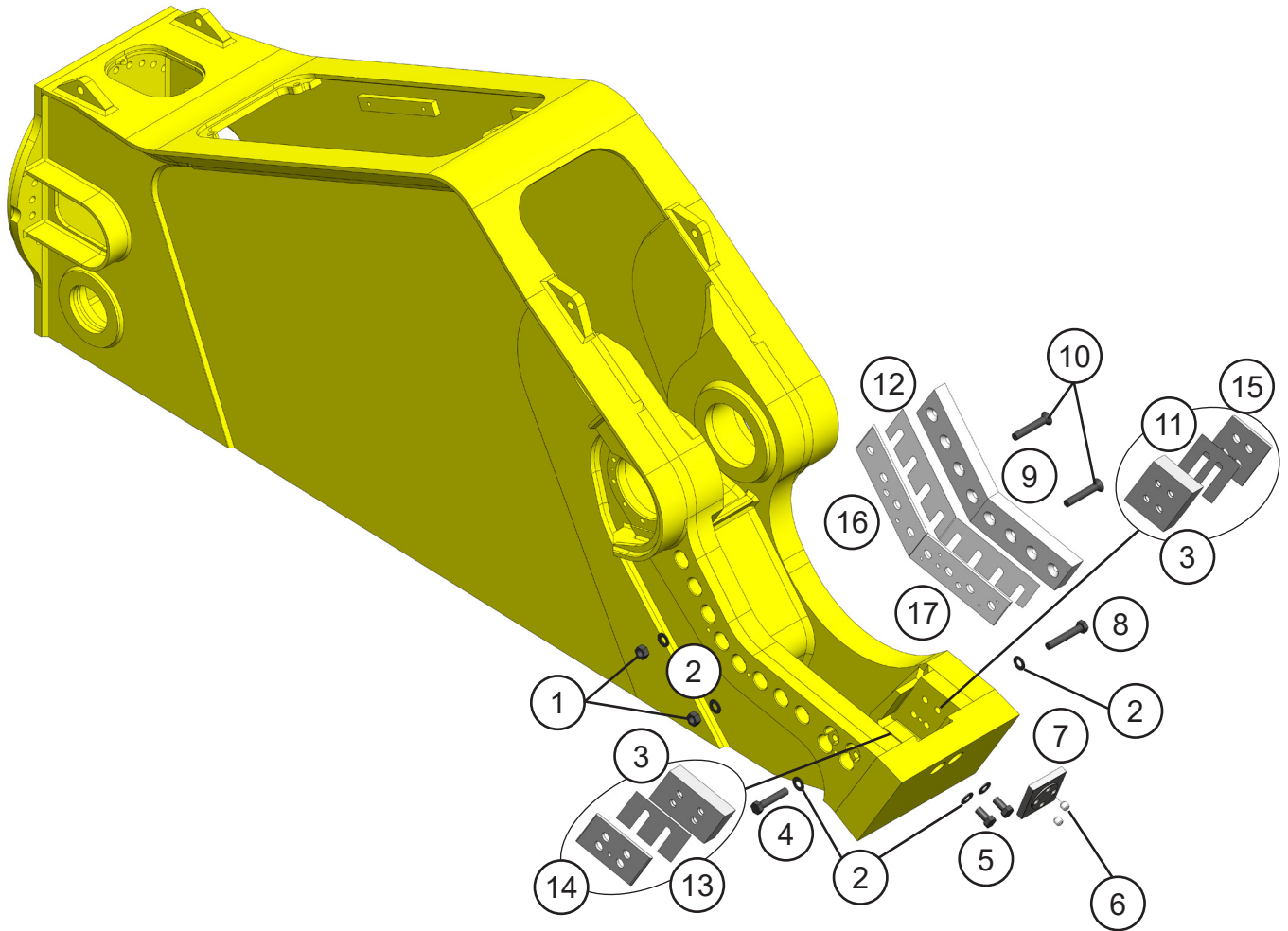
USA

715-395-3488

Europe

+49 83 31 9 25 98 0

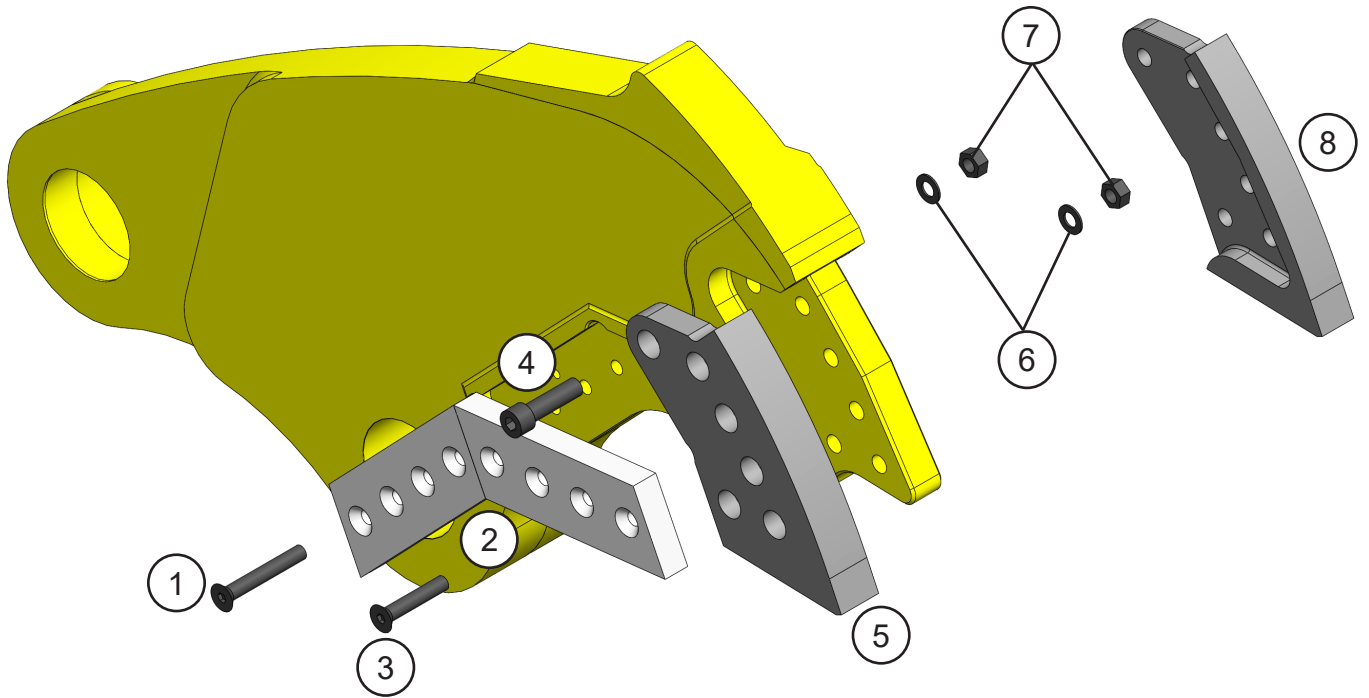
ASSEMBLY LOWER BLADES



ASSEMBLY LOWER BLADES

ITEM	QTY	PART NUMBER	DESCRIPTION
1	8	F0910008	Hex Nut 1 - 8
2	18	F1300100	Flat Washer Narrow 1"
3	2	1106784	Mach Blade Guide
4	4	F0210500	Hex Head Capscrew 1 - 8 x 5
5	2	F0210200	Hex Head Capscrew 1 - 8 x 2
6	2	F2510100	Set Screw Socket Head 1 - 8 x 1
7	1	1101957	Mach Blade Razor
8	4	F0210600	Hex Head Capscrew 1 - 8 x 6
9	2	1103104	Mach Blade
10	8	F0510600	Flat Head Capscrew 1 - 8 x 6
11		1106800	Guide Blade Shim Set 2.0 x 7.0 x 10.5
12		1103394	Blade Shim Set
13		1106799	Guide Blade Shim Set 2.0 x 10.5 x 7.0
14	1	1106785	Mach Guide Blade Adjustment Plate
15	1	1106786	Mach Guide Blade Adjustment Plate
16	1	1104443	Mach Adjustment Plate Primary
17	1	1104445	Mach Adjustment Plate Secondary

ASSEMBLY UPPER BLADES

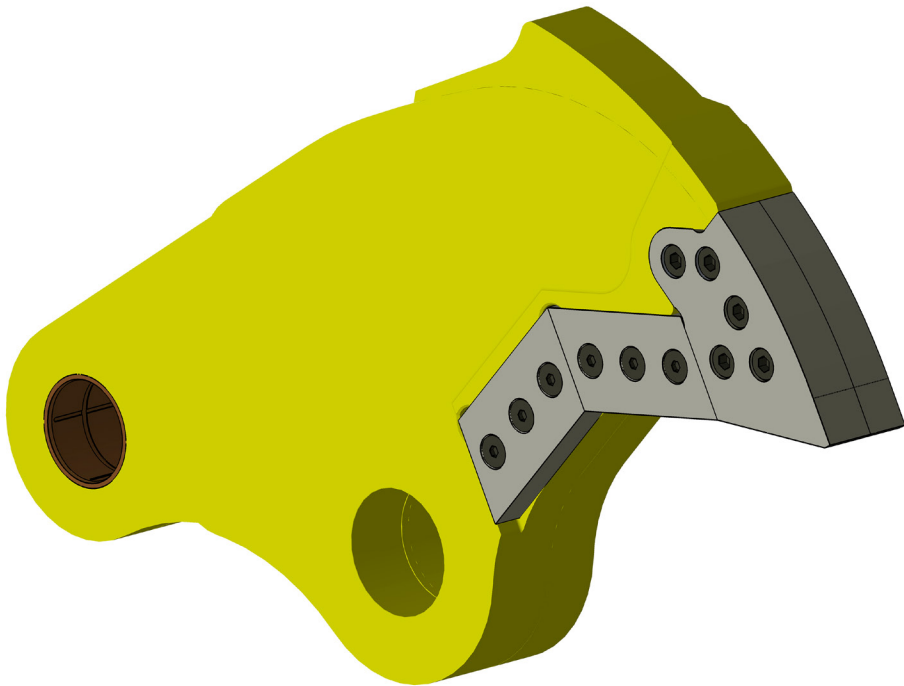
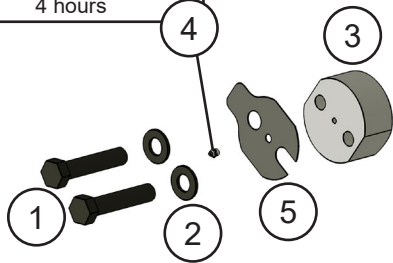


ASSEMBLY UPPER BLADES

ITEM	QTY	PART NUMBER	DESCRIPTION
1	6	F0510700	Flat Head Capscrew 1 - 8 x 7
2	2	1103104	Mach Blade
3	2	F0510550	Flat Head Capscrew 1 - 8 x 5½
4	6	1102857	Mach Bolt Socket Head Capscrew 1¼ - 7 x 4½
5	1	1106783	Mach Blade Tip Right
6	8	F1300100	Flat Washer Narrow 1"
7	8	F0910008	Hex Nut 1 - 8
8	1	1106782	Mach Blade Tip Left

ASSEMBLY AUTO GUIDE

Maintenance Schedule
Lubricate every
4 hours



ASSEMBLY AUTO GUIDE

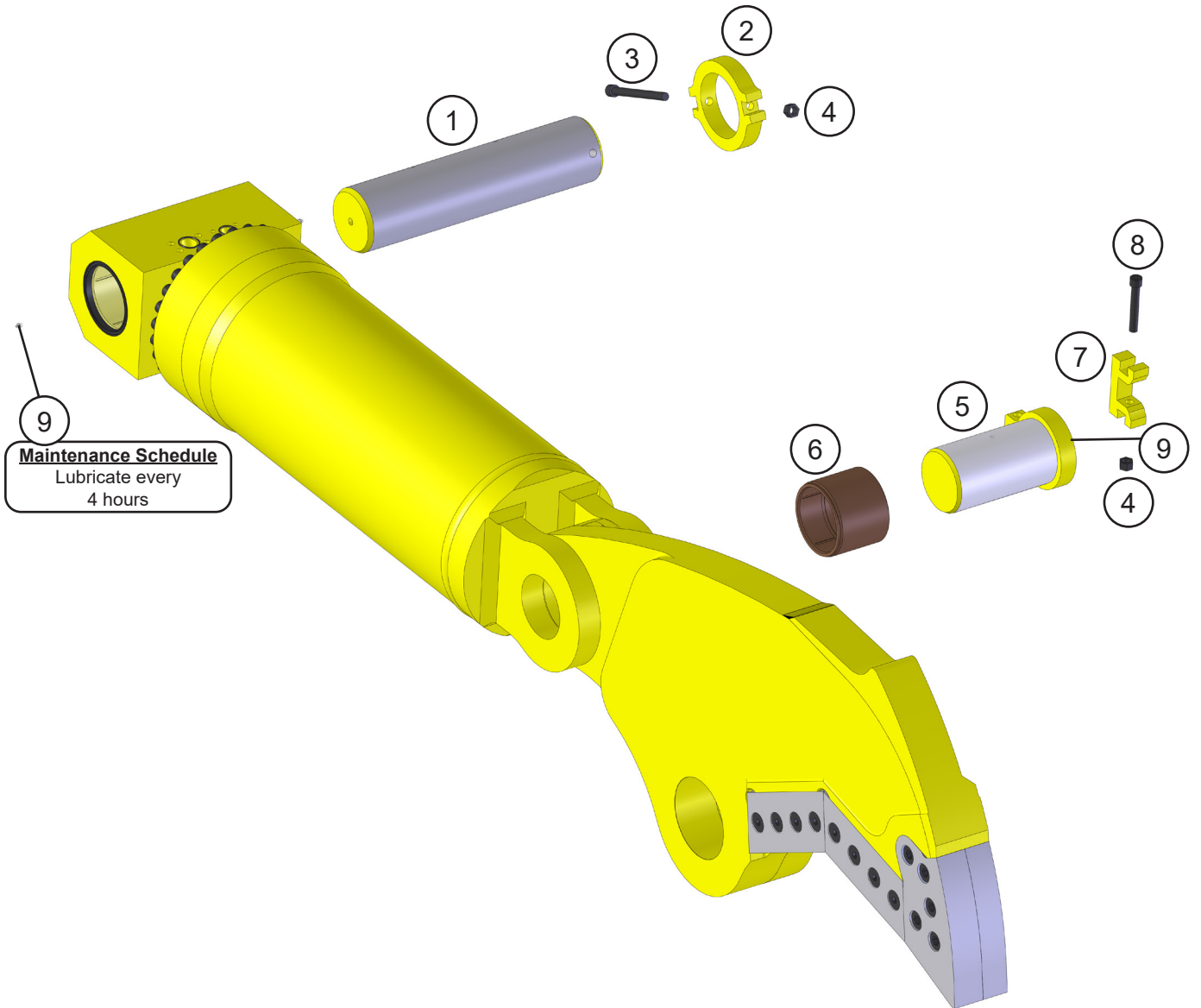
ITEM	QTY	PART NUMBER	DESCRIPTION
1	2	F0210500	Hex Head Capscrew 1 - 8 x 5.00
2	2	F1300100	Flat Washer Narrow 1"
3	1	*	Mach Auto Guide
4	1	6200002	Grease Fitting
5		1106478	Shim Set, Auto Guide

* Part number is Serial Number specific. For replacement parts call the Genesis Parts Department.

USA
715-395-3488

Europe
+49 83 31 9 25 98 0

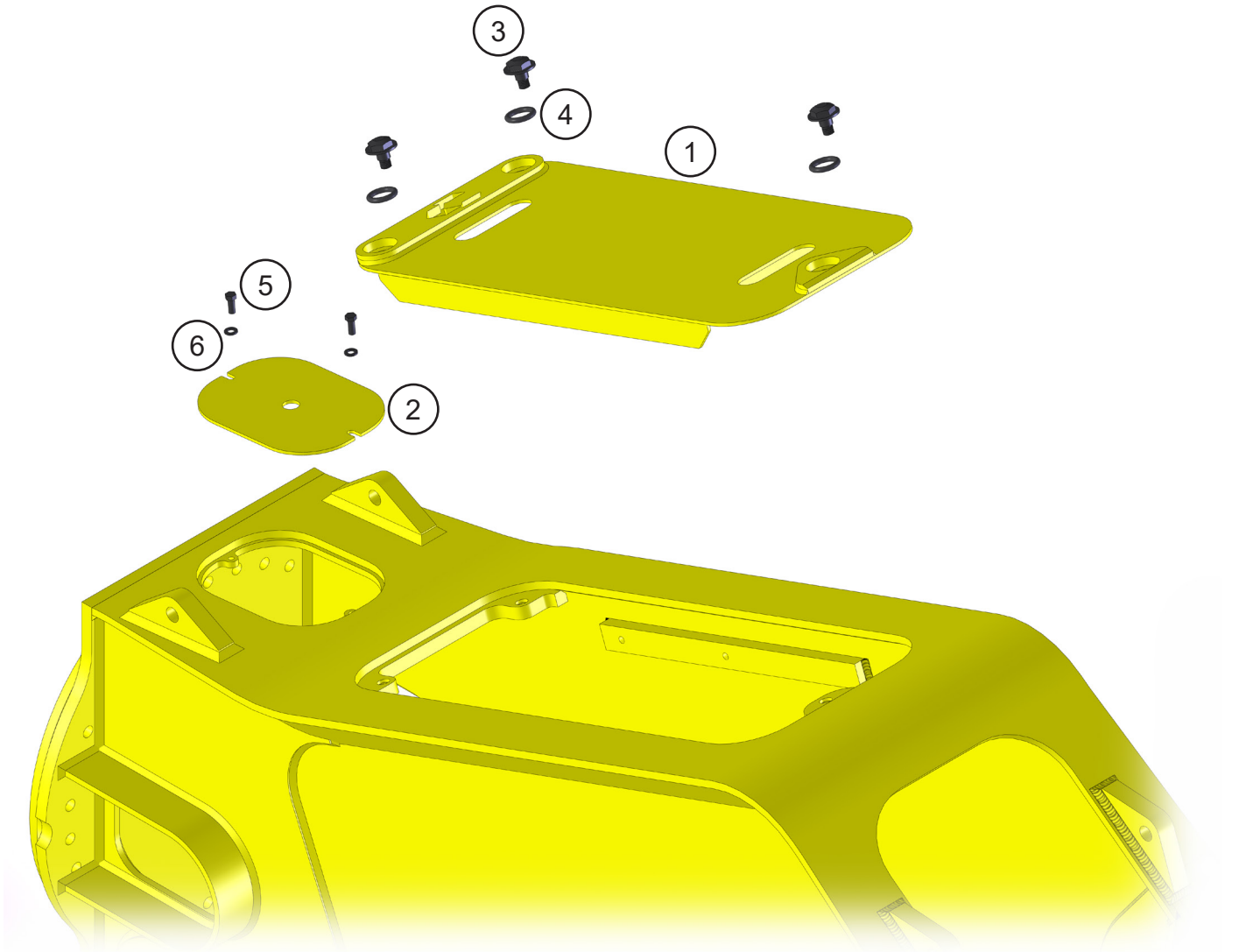
ASSEMBLY CYLINDER PINS



ASSEMBLY CYLINDER PINS

ITEM	QTY	PART NUMBER	DESCRIPTION
1	1	1106764	Mach Rear Cyl Pin
2	1	1106765	Mach Pin Keeper Rear
3	1	F0620230	Socket Head Capscrew M20 x 2.50 x 230
4	2	F1020250	Nylock Hex Nut M20 x 2.50
5	1	1106769	Wldt Front Cyl Pin
6	1	1106767	Mach Bearing Upper Cylinder Connection
7	1	1102487	Mach Pin Keeper (Clevis)
8	1	F0620130	Socket Head Capscrew M20 x 2.50 x 130
9	2	6200002	Grease Fitting

ASSEMBLY ACCESS COVERS



ASSEMBLY ACCESS COVERS

ITEM	QTY	PART NUMBER	DESCRIPTION
1	1	1107832	Wldt Cover
2	1	1107838	Plt Rear Cover
3	3	1105854	Mach Flange Shoulder Bolt
4	3	6301112	O-Ring
5	2	F0112030	Hex Head Capscrew M12 x 1.75 x 30
6	2	F1201224	Flat Washer M12

ASSEMBLY UPPER HEAD

ITEM	QTY	PART NUMBER	DESCRIPTION
1	1	5513129	Wtmg Sub Head
2	1	*	Wtmg Lug Upper Head
3	1	*	Wldt Pin
4	6	F0112030	Hex Head Capscrew M12 x 1.75 x 30
5	6	F1401200	Lock Washer M12
6	1	5500752	Plt Strap
7	2	1105883	Plt Bolt Cover
8	4	F0110030	Hex Head Capscrew M10 x 1.50 x 30
9	4	F1201021	Flat Washer M10
10	2	*	Mach Bearing
11	2	*	Mach Boom Bearing
12	2	*	Mach Spacer Sleeve
13	1	6200002	Grease Fitting
14	1	5513200	Plt Sub Head Cover

* Part numbers are Serial Number specific. For replacement parts call the Genesis Parts Department.

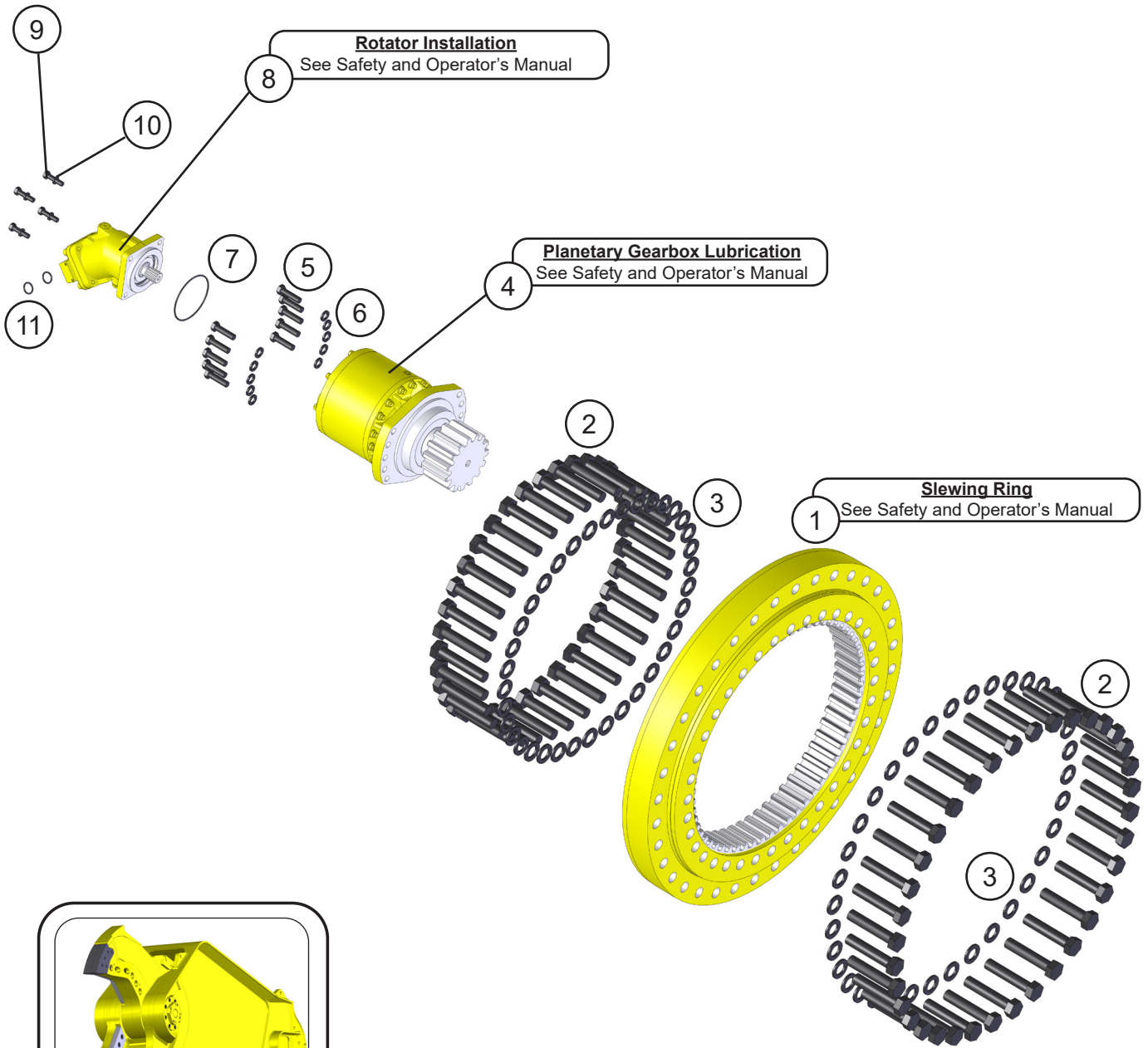
USA

715-395-3488

Europe

+49 83 31 9 25 98 0

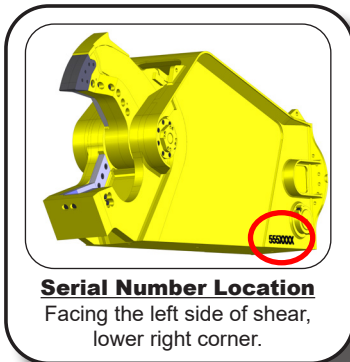
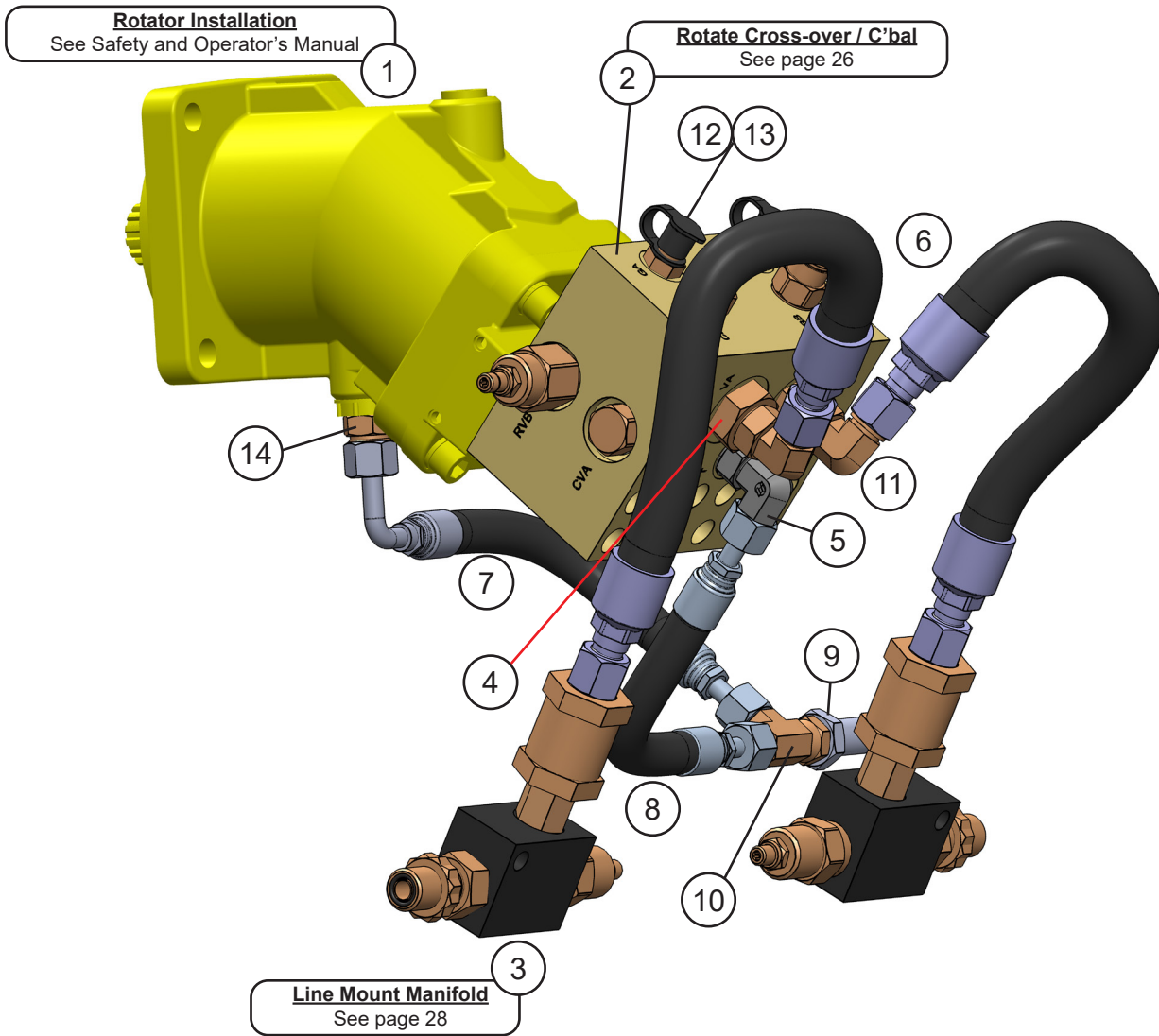
ASSEMBLY ROTATION



ASSEMBLY ROTATION

ITEM	QTY	PART NUMBER	DESCRIPTION
1	1	6300430	Bearing Slewing
2	71	F0130150	Hex Head Capscrew M30 x 3.5 x 150
3	71	F2803000	Hytorc Reaction Washer M30
4	1	6300446	Gear Box
5	10	F0116060	Hex Head Capscrew M16 x 2.0 x 60
6	10	F1900063	Wedge Lock Washer $\frac{5}{8}$
7	1	S0190250	O-Ring (90 Durometer -250)
8	1	6340012	Motor
9	4	F0250150	Hex Head Capscrew $\frac{1}{2}$ - 13 x $1\frac{1}{2}$
10	4	F1900050	Wedge Lock Washer $\frac{1}{2}$
11	2	S0190214	O-Ring (90 Durometer -214)

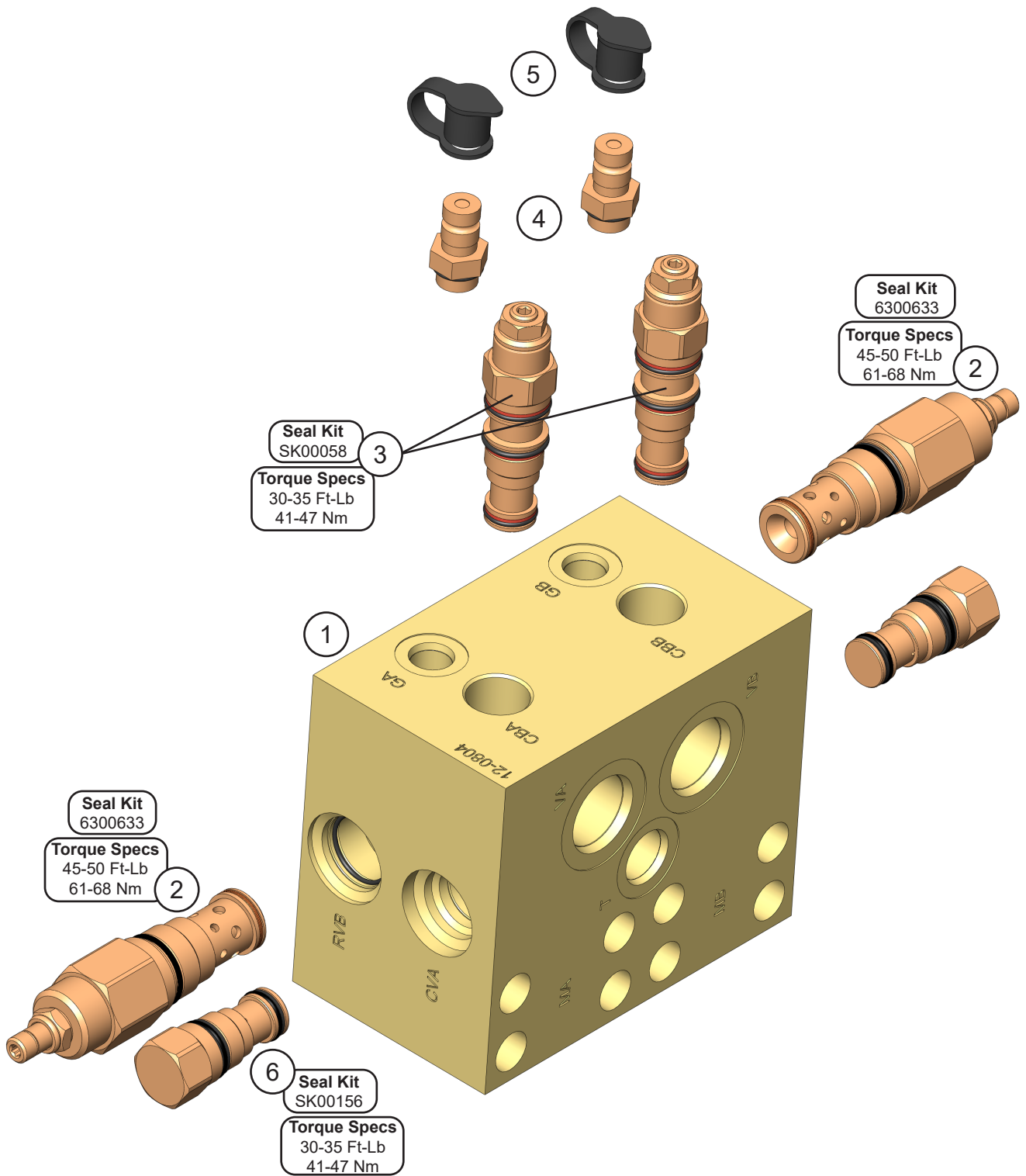
ASSEMBLY ROTATION CIRCUIT



ASSEMBLY ROTATION CIRCUIT

ITEM	QTY	PART NUMBER	DESCRIPTION
1	1	See page 22	Assembly Rotation
2	1	See page 26	Sub-Assembly Rotate Cross-over/C'bal
3	2	See page 28	Sub-Assembly Line Mount Manifold
4	2	6300512	Adaptor 12MB - 08FB
5	1	6310204	Adaptor 06MO-08MB-90
6	2	1106466	Hose
7	1	1106465	Hose
8	1	1108257	Hose
9	1	6310149	Adaptor Bulkhead 06MO-06MO
10	1	6300407	Adaptor Run Tee 06FOX-06MO-06MO
11	2	6300303	Adaptor 08MB-08MO-90
12	2	6300014	Diagnostic Nipple 06MB
13	2	6310001	Diagnostic Nipple Dust Cap
14	1	6300148	Adaptor 06MO-08MB

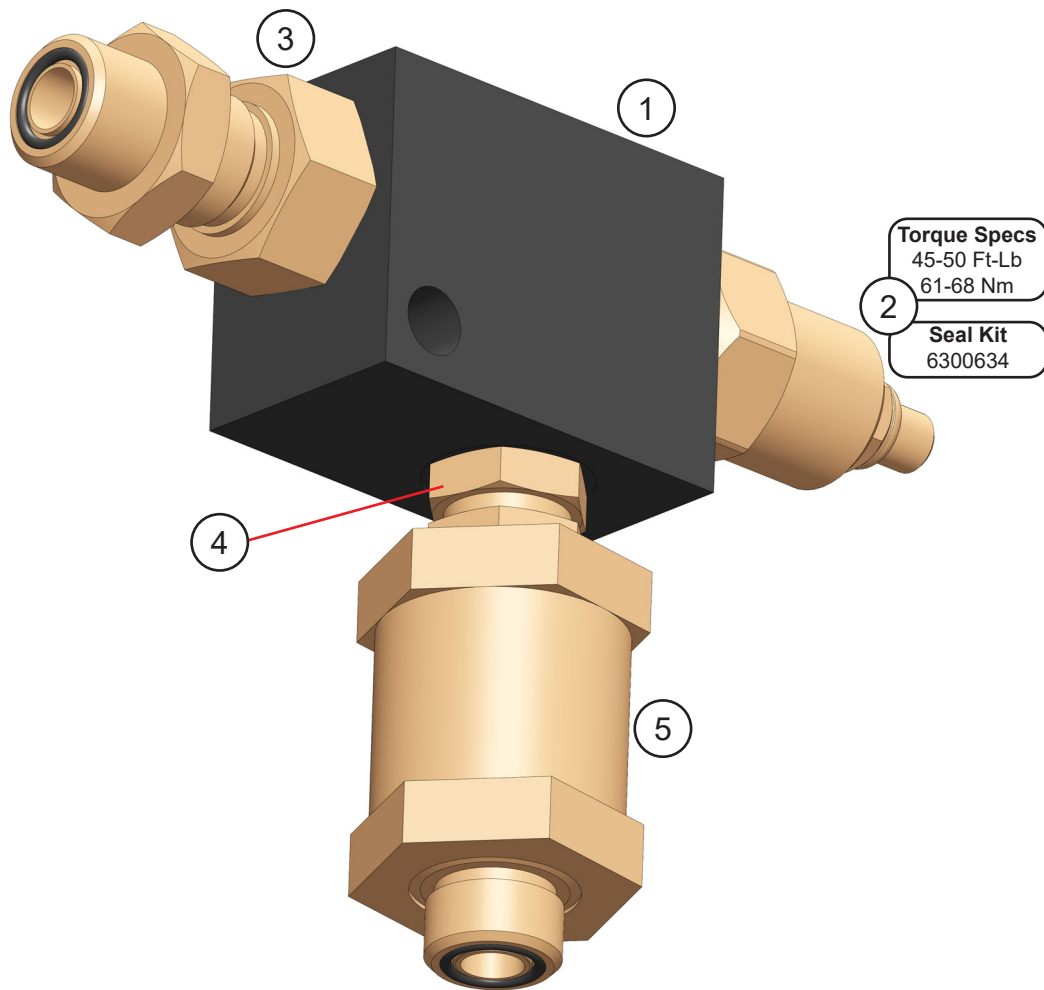
SUB-ASSEMBLY ROTATE CROSS-OVER / C'BAL



SUB-ASSEMBLY ROTATE CROSS-OVER / C'BAL

ITEM	QTY	PART NUMBER	DESCRIPTION	
1	1	6380079	Valve Block	
2	2	6300501	Valve Relief	Seal Kit 6300633
3	2	6380035	Valve Counterbalance	Seal Kit SK00058
4	2	6300088	Diagnostic Nipple	
5	2	6310001	Diagnostic Nipple Dust Cap	
6	2	6360088	Valve Check	Seal Kit SK00156

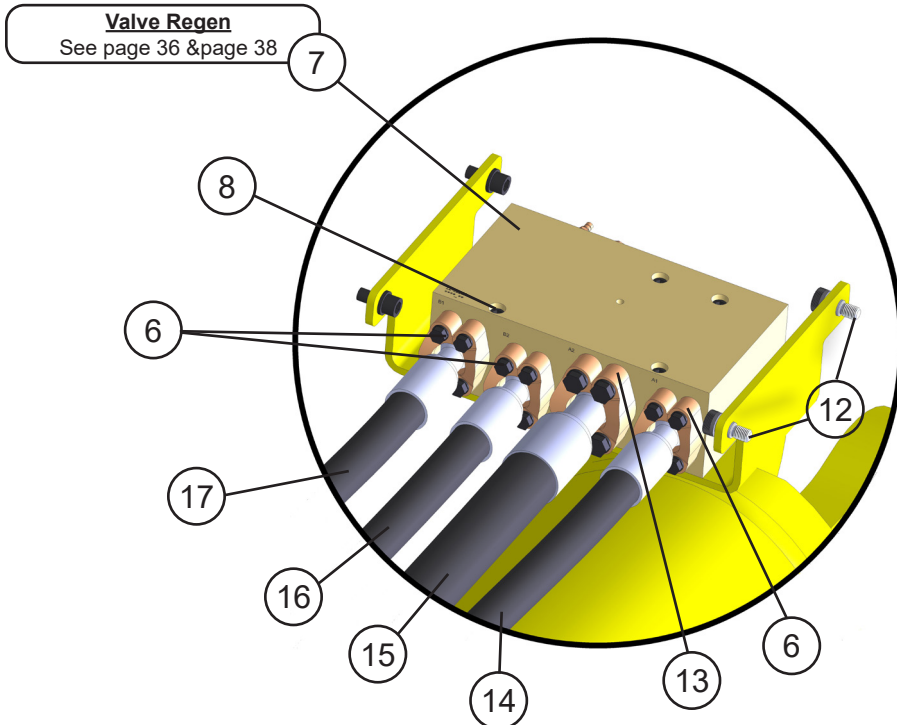
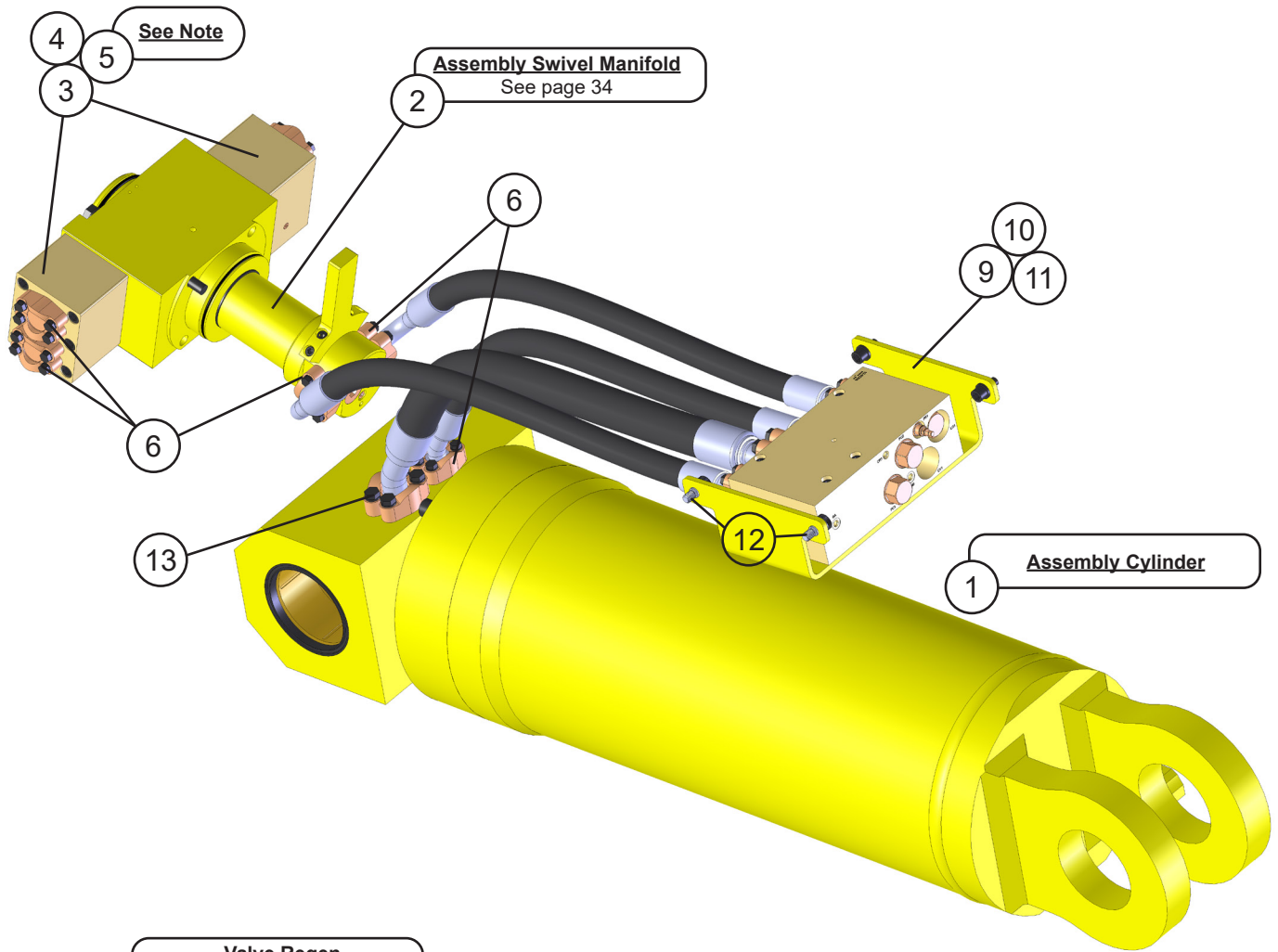
SUB-ASSEMBLY LINE MOUNT MANIFOLD



SUB-ASSEMBLY LINE MOUNT MANIFOLD

ITEM	QTY	PART NUMBER	DESCRIPTION
1	1	6300609	Valve Line Body
2	1	6300361	Valve Flow Control Seal Kit 6300634
3	1	6300497	Adaptor Bulkhead 08MB-08MO
4	1	6310183	Adaptor 08MB-08MB
5	1	6300364	Filter

ASSEMBLY OPEN AND CLOSE CIRCUIT - 6350081



Note:
Item 12 is tied together
with 0.032" lock wire.

ASSEMBLY OPEN AND CLOSE CIRCUIT - 6350081

ITEM	QTY	PART NUMBER	DESCRIPTION
1	1	*	Assembly Cylinder B16.0 R10.0 S38
2	1	See page 34	Assembly Swivel Manifold
3	2	**	Mach Port Block
4	12	**	Socket Head Capscrew M16 x 2.00
5	4	**	O-Ring
6	10	1-1/4" Split Flange Kit	
	2	H0262125	Split Flange Half 1.25 Code 62
	4	F0112050	Hex Head Capscrew M12 x 1.75 x 50
	4	F1401200	Lock Washer M12
	1	S0190222	O-Ring
7	1	See page 36 & page 38	Valve Regen
8	4	F0612120	Socket Head Capscrew M12 x 1.75 x 120
9	1	1106677	Mach Plt Frmd Valve Tray
10	2	F0616035	Socket Head Capscrew M16 x 2.0 x 35
11	2	F1201630	Flat Washer M16
12	2	F3616020	Socket Head Shoulder Screw M16 x 2.0 x 20
13	2	1-1/2" Split Flange Kit	
	2	H0262150	Split Flange Half 1.50 Code 62
	4	F0116060	Hex Head Capscrew M16 x 2.00 x 60
	4	F1401628	Lock Washer M16
	1	S0190225	O-Ring (90 Durometer -225)
14	1	1106680	Hose
15	1	1106682	Hose
16	1	1106681	Hose
17	1	1106679	Hose

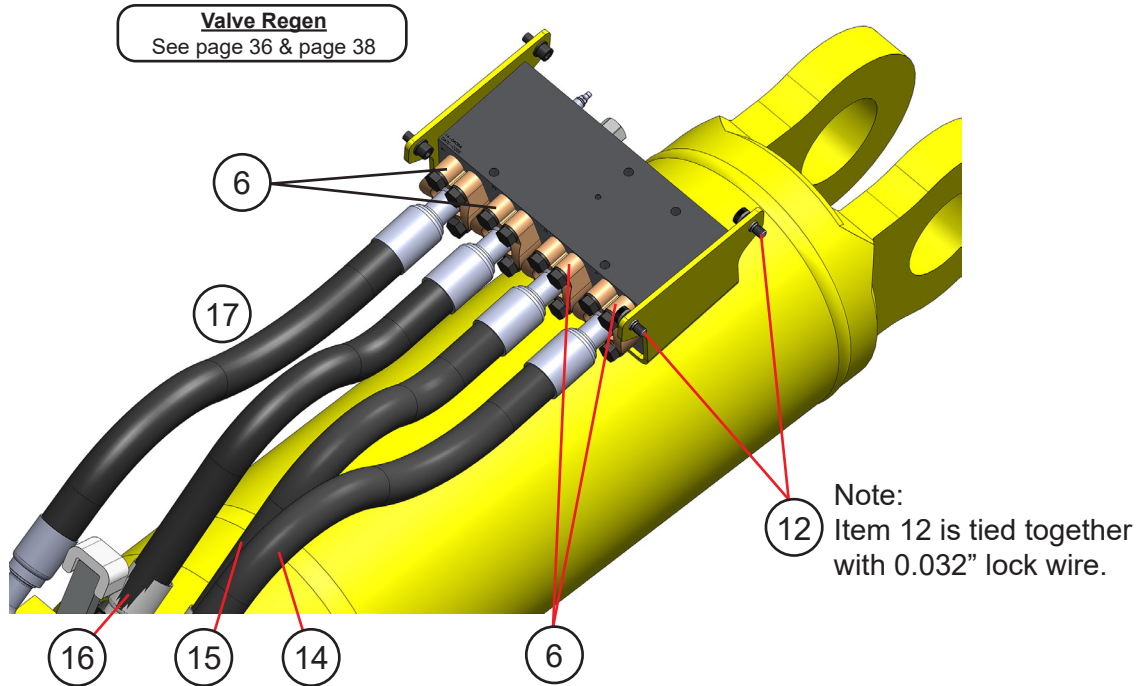
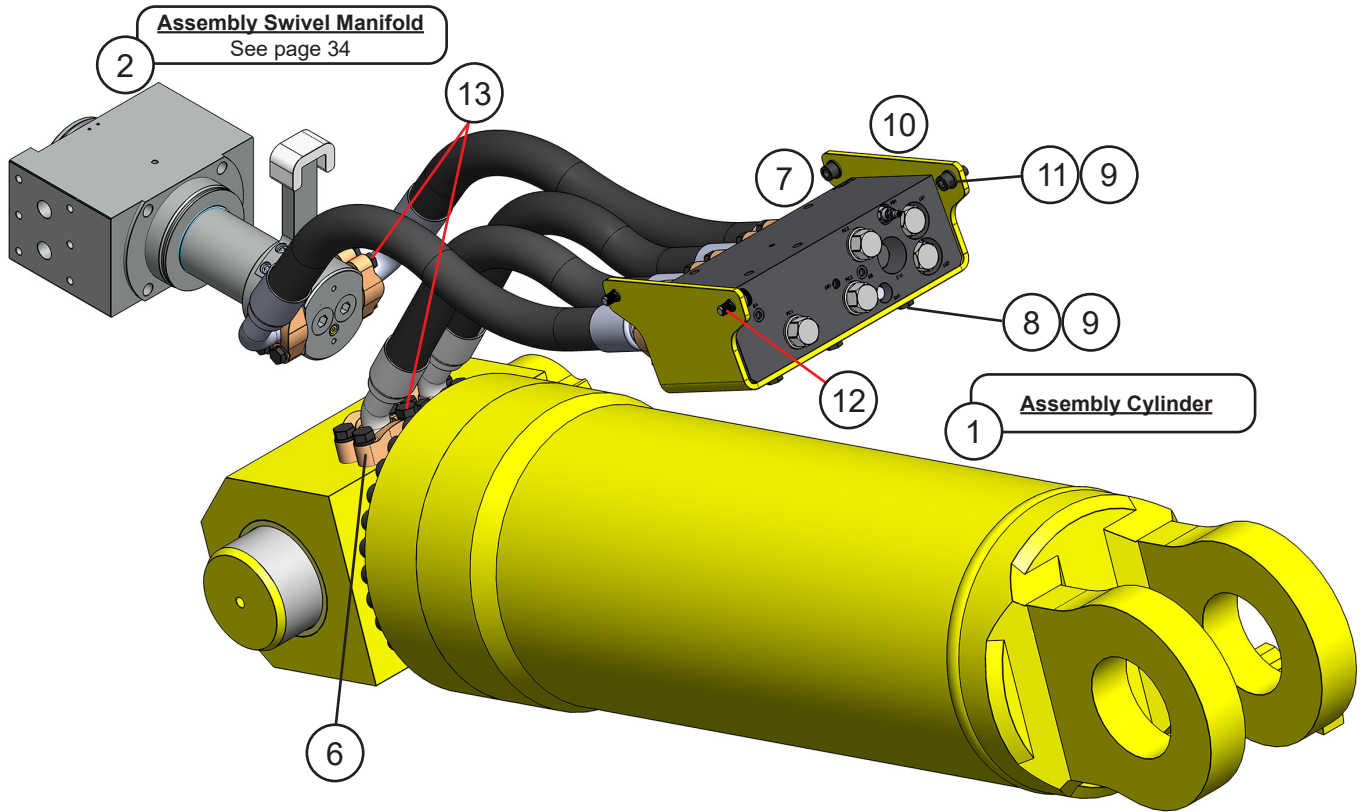
* Your GXT 995 mobile shear will contain one of two cylinders, Part Number 6350081 or 6350092. If the Mach Plt Frmd Valve Tray, #9, is under the Valve Regen, #7, the shear contains cylinder 6350081. If the Mach Plt Frmd Valve Tray, #9, is on top of the Valve Regen, #7, the shear contains cylinder 6350092.

** Part numbers are Serial Number specific. For replacement parts call the Genesis Parts Department.

USA
715-395-3488

Europe
+49 83 31 9 25 98 0

ASSEMBLY OPEN AND CLOSE CIRCUIT - 6350092



ASSEMBLY OPEN AND CLOSE CIRCUIT - 6350092

ITEM	QTY	PART NUMBER	DESCRIPTION
1	1	*	Assembly Cylinder B16.0 R10.0 S38
2	1	See page 34	Assembly Swivel Manifold
3	2	**	Mach Port Block (Not Shown)
4	12	**	Socket Head Capscrew M16 x 2.00 (Not Shown)
5	4	**	O-Ring (Not Shown)
6	5	2" Split Flange Kit	
	2	H0262200	Split Flange Half 2.00 Code 62
	4	F0120070	Hex Head Capscrew M20 x 2.5 x 70
	4	F1402000	Lock Washer M20
	1	S0190228	O-Ring (90 Durometer -228)
7	1	See page 36 & page 38	Valve Regen
8	4	F0116035	Hex Head Capscrew M16 x 2.0 x 35
9	6	F1201630	Flat Washer M16
10	1	1108194	Valve Tray
11	2	F0616035	Socket Head Capscrew M16 x 2.0 x 35
12	2	F3616020	Socket Head Shoulder Screw M16 x 2.0 x 20
13	3	1-1/2" Split Flange Kit	
	2	H0262150	Split Flange Half 1.50 Code 62
	4	F0116060	Hex Head Capscrew M16 x 2.00 x 60
	4	F1401628	Lock Washer M16
	1	S0190225	O-Ring (90 Durometer -225)
14	1	1107068	Hose
15	1	1108045	Hose
16	1	1107069	Hose
17	1	1107067	Hose
18	4	1-1/4" Split Flange Kit (Not Shown)	
	2	H0262125	Split Flange Half 1.25 Code 62
	4	F0112050	Hex Head Capscrew M12 X 1.75 X 50
	4	F1401200	Lock Washer M12
	1	S0190222	O-Ring (90 Durometer -222)

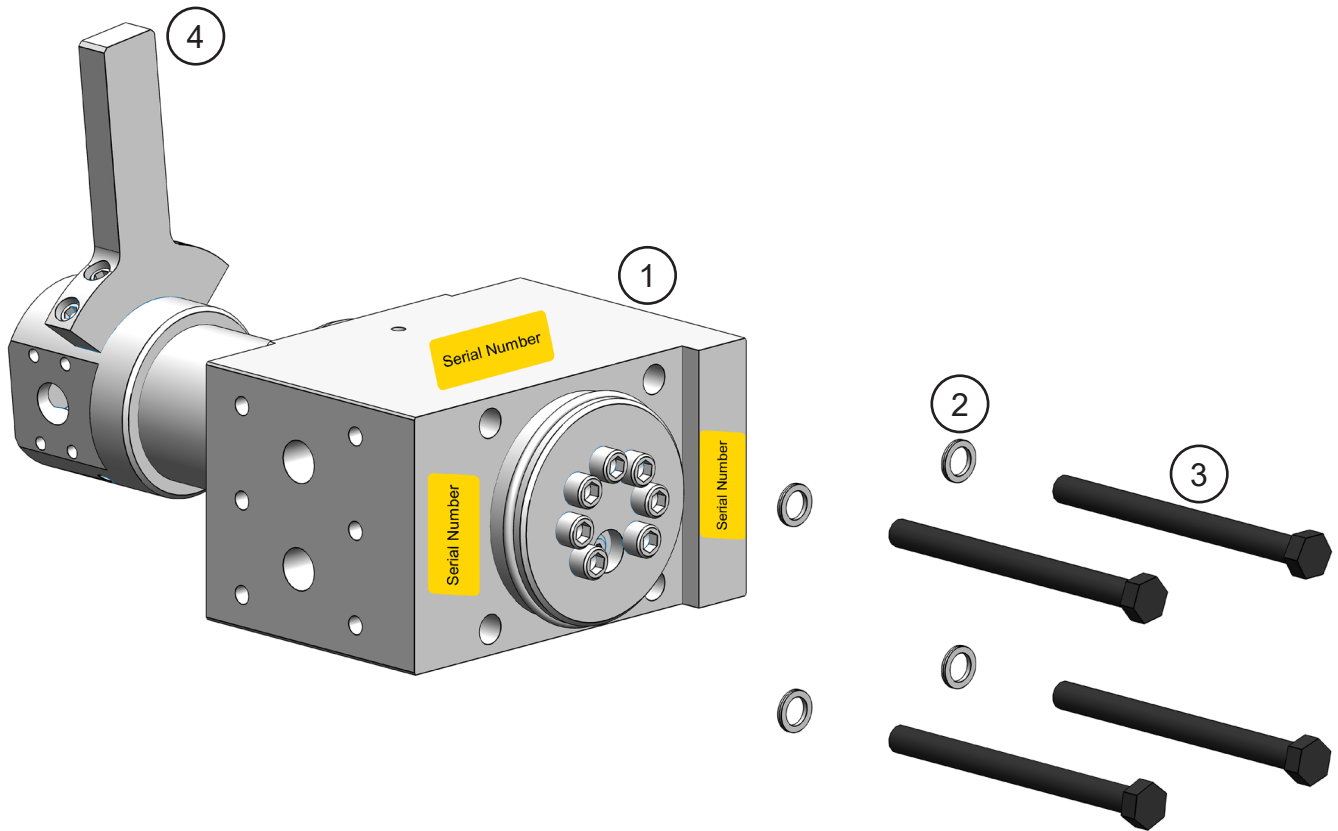
* Your GXT 995 mobile shear will contain one of two cylinders, Part Number 6350081 or 6350092. If the Mach Plt Frmd Valve Tray, #9, is under the Valve Regen, #7, the shear contains cylinder 6350081. If the Mach Plt Frmd Valve Tray, #9, is on top of the Valve Regen, #7, the shear contains cylinder 6350092.

** Part numbers are Serial Number specific. For replacement parts call the Genesis Parts Department.

USA
715-395-3488

Europe
+49 83 31 9 25 98 0

ASSEMBLY SWIVEL MANIFOLD



ASSEMBLY SWIVEL MANIFOLD

ITEM	QTY	PART NUMBER	DESCRIPTION
1	1	*	Assembly Swivel Manifold
2	4	F1900075	Wedge Lock Washer ¾
3	4	F0120250	Hex Head Capscrew M20 x 2.5 x 250
4	1	*	Torque Arm Kit

* Part numbers are Serial Number specific.

For replacement parts and seal kit, call the Genesis Parts Department.

The swivel Serial Number, located in one of the three highlighted areas, is required for **any** parts order.

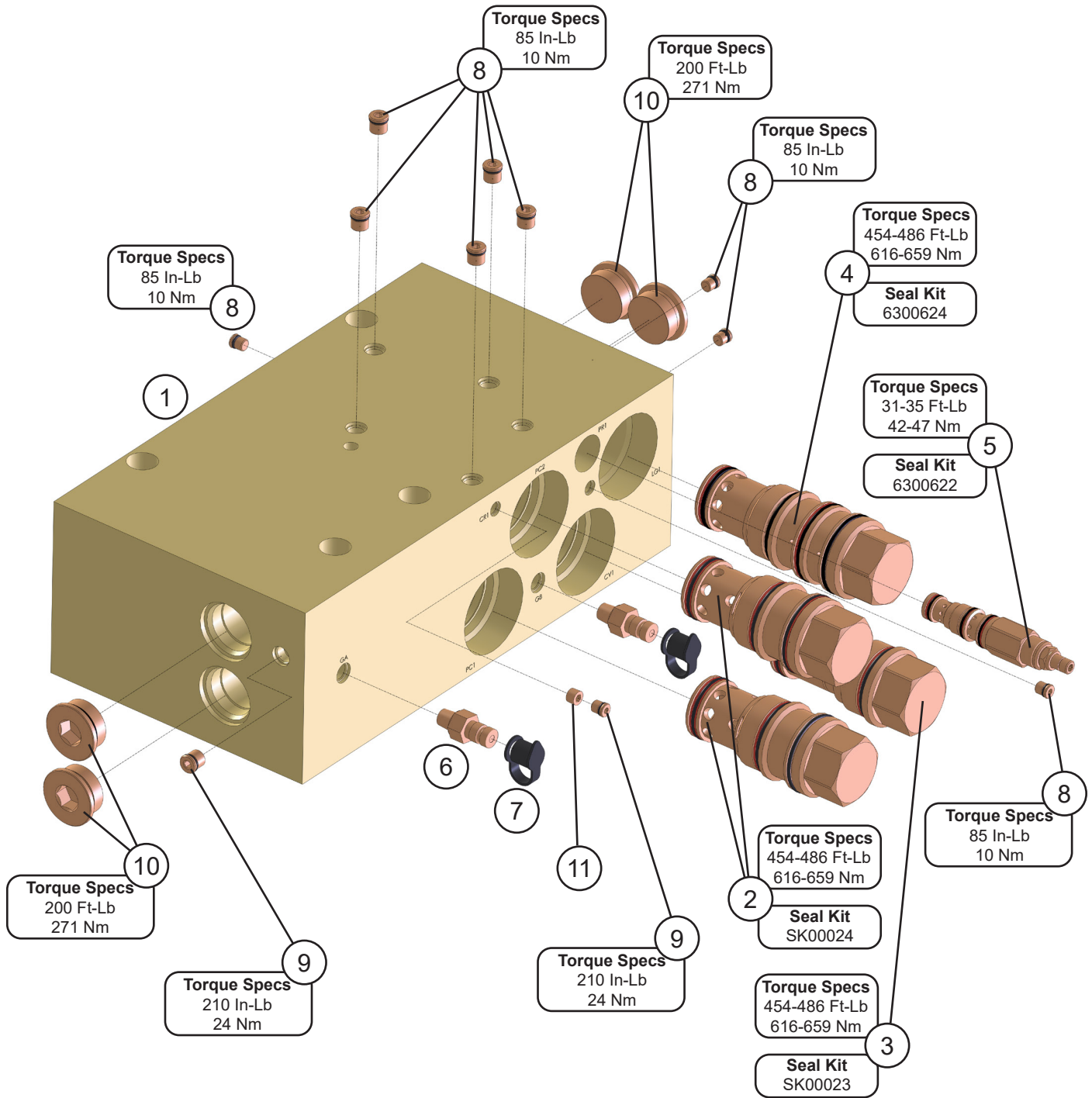
USA

715-395-3488

Europe

+49 83 31 9 25 98 0

REGEN BLOCK SUB-ASSEMBLY - 6360021

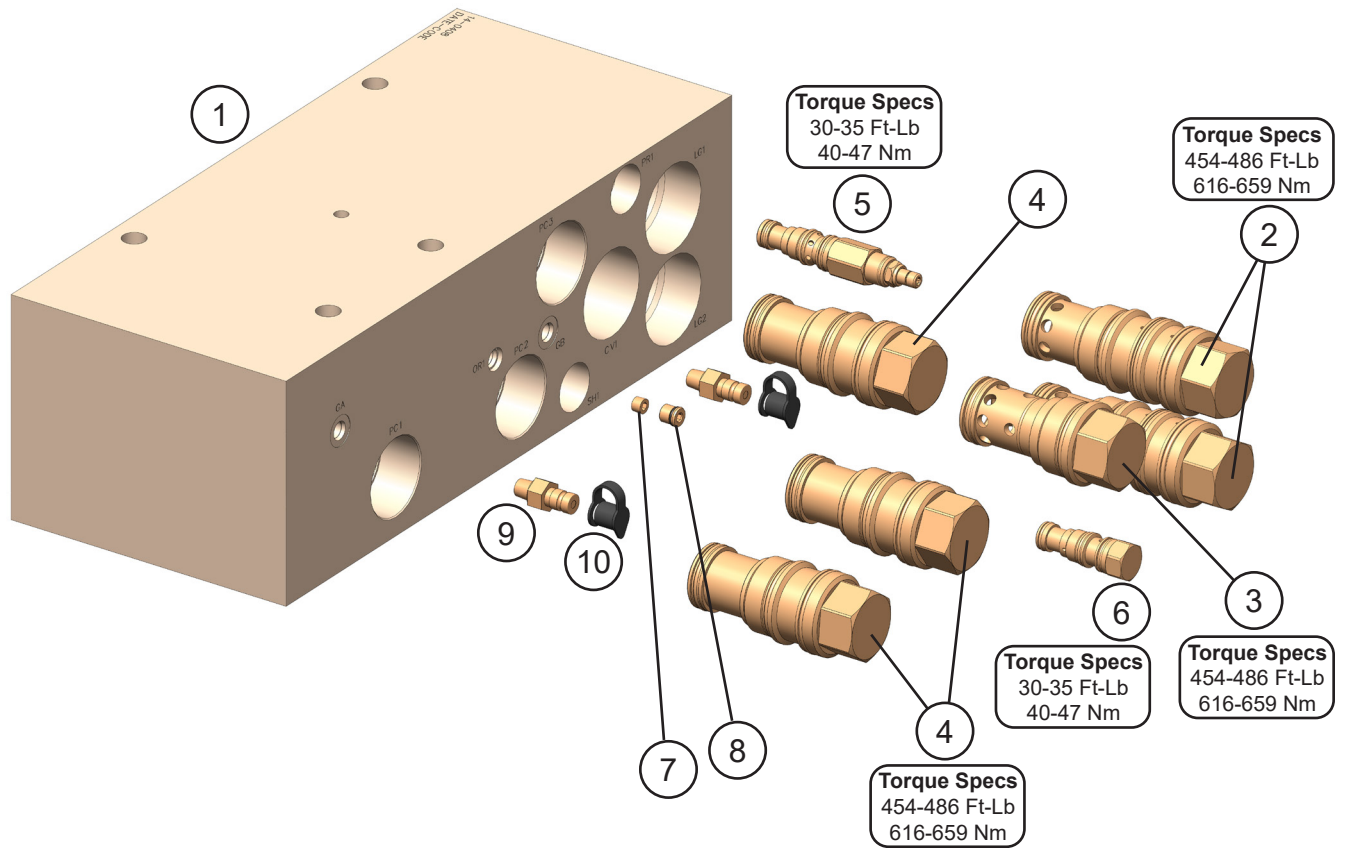


REGEN BLOCK SUB-ASSEMBLY - 6360021

ITEM	QTY	PART NUMBER	DESCRIPTION
1	1	6360021	Valve Regen Seal Kit SK00129
2	2	6300061	Pilot to Close Check Valve Seal Kit SK00024
3	1	6380011	Check Valve Seal Kit SK00023
4	1	6300623	Logic Valve Seal Kit 6300624
5	1	6300625	Pressure Reducing Valve Seal Kit 6300622
6	2	6300088	Diagnostic Nipple
7	2	6310001	Diagnostic Nipple Dust Cap
8	9	6300075	Plug Socket Head 02MB
9	2	6300076	Plug Socket Head 04MB
10	4	6300078	Plug Socket Head 16MB
11	1	6300903	Plug Pipe Orifice 01MP 1/16-27 NPT

Your GXT 995 mobile shear will contain one of two regens, Part Number 6360021 or 6360024. If the Mach Plt Frmd Valve Tray is under the regen, the shear contains regen 6360021. If the Mach Plt Frmd Valve Tray is on top of the regen, the shear contains regen 6360024.

REGEN BLOCK SUB-ASSEMBLY - 6360024

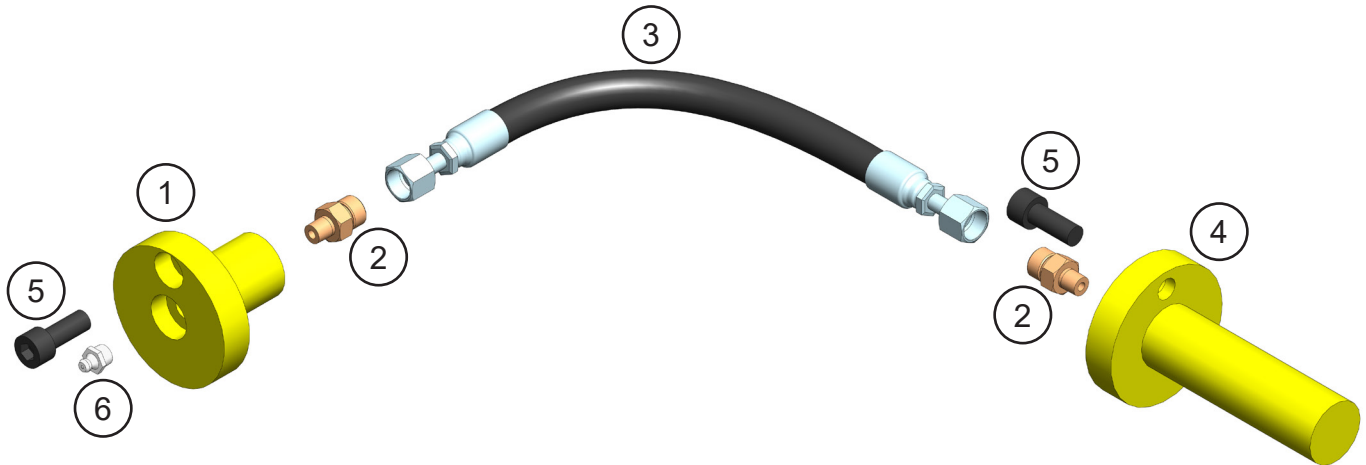


REGEN BLOCK SUB-ASSEMBLY - 6360024

ITEM	QTY	PART NUMBER	DESCRIPTION
1	1	6360024	Valve Regen Seal Kit SK00189
2	2	6300623	Logic Valve Seal Kit 6300624
3	1	6380011	Check Valve Seal Kit SK00023
4	3	6300061	Pilot to Close Check Valve Seal Kit SK00024
5	1	6300625	Pressure Reducing Valve Seal Kit 6300622
6	1	6301200	Shuttle Valve
7	1	6300903	Plug Pipe Orifice 01MP 1/16-27 NPT
8	17	6300075	Plug Socket Head 02MB
9	2	6300088	Diagnostic Nipple
10	2	6310001	Diagnostic Nipple Dust Cap
11	4	6300076	Plug Socket Head 04MB (Not Shown)
12	12	6300078	Plug Socket Head 16MB (Not Shown)

Your GXT 995 mobile shear will contain one of two regens, Part Number 6360021 or 6360024. If the Mach Plt Frmd Valve Tray is under the regen, the shear contains regen 6360021. If the Mach Plt Frmd Valve Tray is on top of the regen, the shear contains regen 6360024.

ASSEMBLY SLEWING RING LUBRICATION



ASSEMBLY SLEWING RING LUBRICATION

ITEM	QTY	PART NUMBER	DESCRIPTION
1	1	5512411	Mach Grease Bulkhead Adaptor
2	2	6300731	Adaptor 02MP-04MO
3	1	1105888	Hose
4	1	5512419	Mach Slewing Ring Grease Adaptor
5	2	F0610035	Socket Head Capscrew M10 x 1.50 x 35
6	1	6200002	Grease Fitting

BOLT TORQUE SPECIFICATIONS

Reference the product Thread Treatment Diagrams on page 43 to determine whether to use wet or dry torque values for specific bolts.

Reference Procedures on page 44 for threadlocker or anti-seize application and bolt and bolt hole cleaning.

Prior to torquing, clean all bolt holes, bolts and nuts to remove dirt, grease and oil, and identify bolt type.

Never re-torque bolts that use Loctite. If a bolt becomes loose or damaged after the initial use when Loctite was applied and the bolt was torqued, the bolt must be replaced.

Never break tightened bolts loose with a torque wrench. Doing so may break the torque wrench or take it out of calibration.

Torque wrenches should be calibrated on an annual basis.

When using a torque multiplier with a torque wrench, incorrect settings will be multiplied by the ratio of the torque wrench.

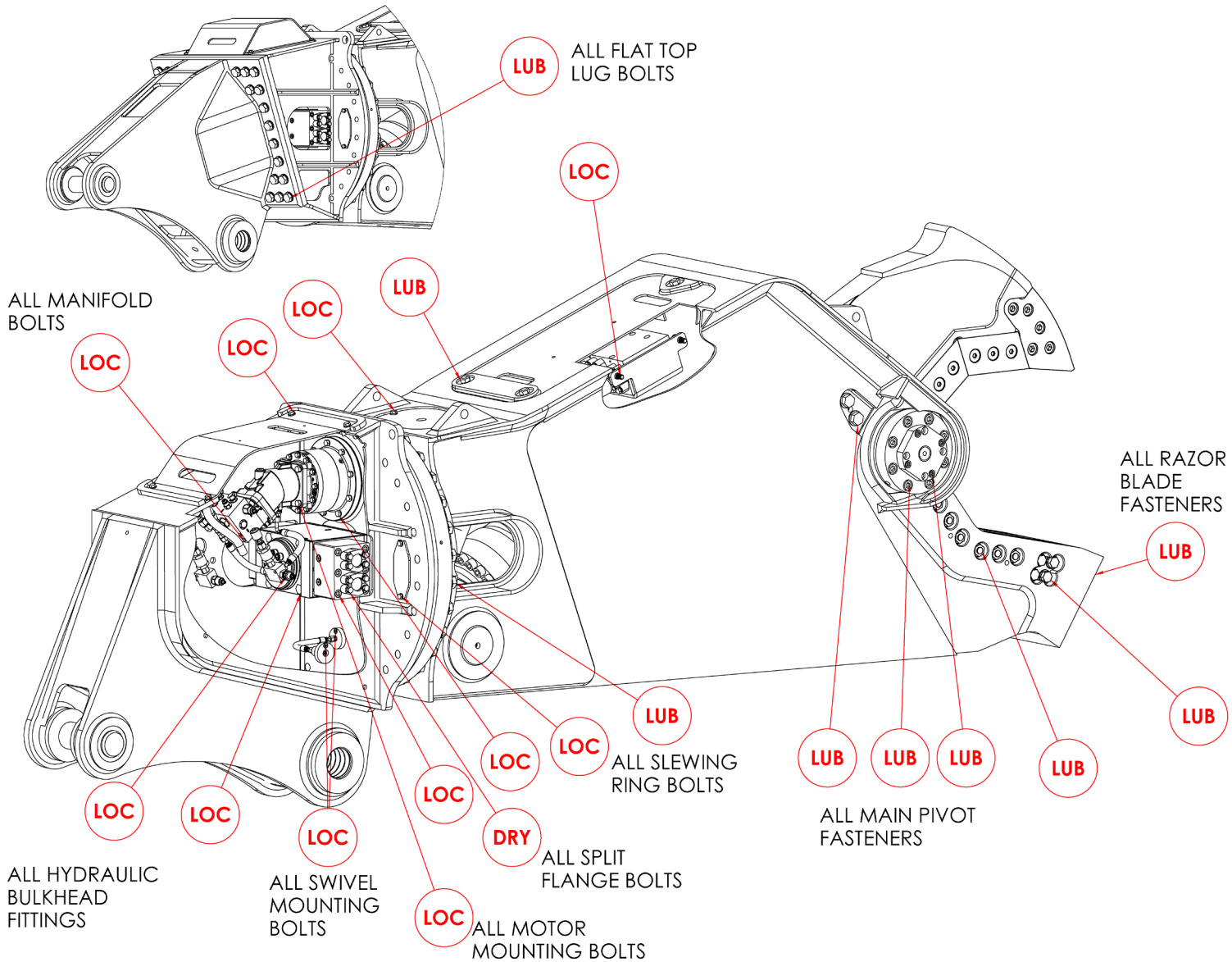
Never use an impact driver on a torque multiplier.

THREAD TREATMENT DIAGRAM

Mobile Shears

Use this diagram to determine what thread treatment, if any, is required for each fastener.

For thread treatment application procedures, see page 44. For prescribed torque values, see page 46.



PROCEDURES

Reference the product Thread Treatment Diagrams on page 43 to determine which of the following procedures is required.

Cleaning

To ensure proper performance of thread treatment and accurate torque values, clean and degrease **all internal and external threads** prior to application of threadlocker, anti-seize or primer and before installation of hardware.

- Ensure both internal and external threads are free of dirt or debris.
- Use brake cleaner or similar cleaning solvent on all threads to remove any grease or oil.
- Allow threads to dry.

NOTICE

Failure to properly clean threads will cause threadlocker, primer, and/or anti-seize to not properly cure!

LOC

Threadlocker

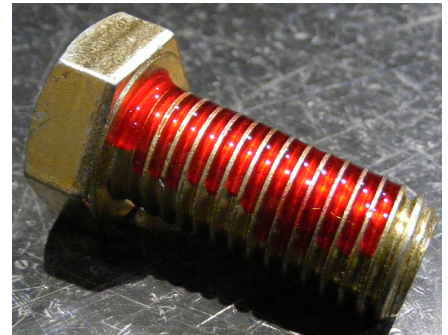
For bolted connections requiring threadlocker, use **Loctite 263** or equivalent applied using the following procedure:

- Clean and degrease all threads.
- For thru holes or nuts, apply threadlocker to bolt threads.
- For blind holes, apply stripe of threadlocker along the length of the hole (applying to the bolt can cause escaping air to remove threadlocker as the bolt is inserted).
- Torque bolt to specified **Wet Torque Value**, see page 46.

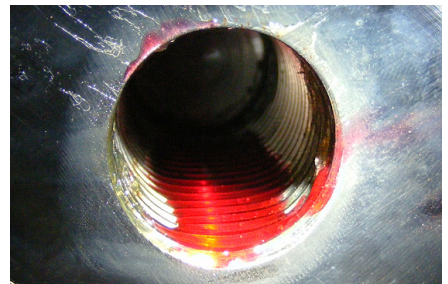
For threaded hydraulic fitting connections, use **Loctite 5452** or equivalent thread sealant in conjunction with **Loctite 7471** primer using the following procedure:

- Clean and degrease all threads.
- Apply Loctite 7471 primer to both external and internal threads and allow to dry.
- Apply threadlocker to 360 degrees of the threads on the male fitting, ensuring adequate coverage.
- Assemble fitting per directions in operator's manual.
- For O-ring boss and flat face O-ring connections, torque fittings to values specified on page 47

Threadlocker



Blind Hole



Hydraulic Fitting



PROCEDURES

LUB

Anti-Seize

For bolted connections requiring anti-seize lubrication, use **Loctite LB8008** or equivalent using the following procedure:

- Clean and degrease all threads.
- Apply thin coat of anti-seize to internal and external threads and under bolt head and/or nut, ensuring complete coverage.
- Torque bolt to specified **Wet Torque Value**, see page 46.

Anti-Seize

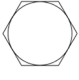
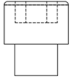
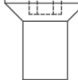


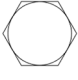
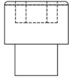
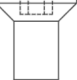
DRY

No Thread Treatment

- Clean and degrease all threads.
- Torque bolt to specified **Dry Torque Value**, see page 46.

BOLT TORQUE SPECIFICATIONS

Dry Torque Values						
		Hex/Socket Head		Flat Head		
						
Fastener Grade	Size x Pitch	Nm	Ft-lb	Nm	Ft-lb	
CL 10.9	M8 x 1.25	35	26	27	20	
	M10 x 1.50	71	53	58	42	
	M12 x 1.75	124	92	101	73	
	M14 x 1.50	200	148	163	118	
	M14 x 2.00	200	148	163	118	
	M16 x 2.00	311	230	254	184	
	M20 x 1.50	610	450	498	360	
	M20 x 2.50	608	449	497	359	
	M24 x 3.00	1054	778	861	622	
	M27 x 3.00	1543	1138	1260	910	
	M30 x 3.50	2095	1545	1712	1236	
	M36 x 4.00	3659	2699	2991	2159	
8	1/4-20	14	11	11	8	
	5/16-18	32	24	26	19	
	3/8-16	59	44	48	35	
	7/16-14	94	70	77	56	
	1/2-13	143	106	116	84	
	1/2-20	162	120	133	96	
	5/8-11	287	212	234	169	
	3/4-10	509	376	415	300	
	7/8-9	821	606	670	484	
	1.00-8	1232	909	1007	727	
	1.00-14	1383	1020	1130	816	
	1.25-7	2463	1817	2013	1453	
8/L9	1.50-6	4287	3162	3504	2529	

Wet Torque Values						
		Hex/Socket Head		Flat Head		
						
Fastener Grade	Size x Pitch	Nm	Ft-lb	Nm	Ft-lb	
CL 10.9	M8 x 1.25	29	22	23	17	
	M10 x 1.50	61	45	49	36	
	M12 x 1.75	105	78	85	62	
	M14 x 1.50	150	111	121	88	
	M14 x 2.00	170	126	138	100	
	M16 x 2.00	265	196	216	156	
	M20 x 1.50	456	337	372	269	
	M20 x 2.50	517	382	422	305	
	M24 x 3.00	894	660	731	528	
	M27 x 3.00	1312	968	1072	774	
	M30 x 3.50	1779	1312	1453	1049	
	M36 x 4.00	3110	2294	2542	1835	
8	1/4-20	13	10	11	8	
	5/16-18	27	20	22	16	
	3/8-16	50	37	40	29	
	7/16-14	80	59	65	47	
	1/2-13	122	90	99	72	
	1/2-20	138	102	112	81	
	5/8-11	244	180	199	144	
	3/4-10	433	320	354	256	
	7/8-9	698	515	570	412	
	1.00-8	1046	772	854	617	
	1.00-14	1175	867	960	693	
	1.25-7	2095	1545	1712	1236	
8/L9	1.50-6	3644	2688	2979	2150	

O-RING BOSS & FLAT FACE O-RING TORQUE SPECIFICATIONS

O-Ring Boss Torque Values		
Size Dash	Nm	Ft-lb
-4	22	16
-5	27	20
-6	36	26
-8	83	60
-10	110	80
-12	187	135
-14	249	180
-16	304	220
-20	387	280
-24	498	360

Flat Face O-Ring Torque Values		
Size Dash	Nm	Ft-lb
-4	18	13
-6	30	22
-8	60	44
-10	85	62
-12	121	88
-14	121	88
-16	160	116
-20	213	154
-24	274	198

BOLT DRIVE SPECIFICATIONS

Thread Size x Pitch	Hex Head	Socket Head	Flat Head
			
Wrench/Drive Size			
M8 x 1.25	13mm	6mm	5mm
M10 x 1.50	17mm	8mm	6mm
M12 x 1.75	19mm	10mm	8mm
M14 x 1.50	22mm	12mm	10mm
M14 x 2.00	22mm	12mm	10mm
M16 x 2.00	24mm	14mm	10mm
M20 x 1.50	30mm	17mm	12mm
M20 x 2.50	30mm	17mm	12mm
M24 x 3.00	36mm	19mm	14mm
M27 x 3.00	41mm	19mm	-
M30 x 3.50	46mm	22mm	-
M36 x 4.00	55mm	27mm	-
1/4-20	7/16"	3/16"	5/32"
5/16-18	1/2"	1/4"	3/16"
3/8-16	9/16"	5/16"	7/32"
7/16-14	5/8"	3/8"	1/4"
1/2-13	3/4"	3/8"	5/16"
1/2-20	3/4"	3/8"	5/16"
5/8-11	15/16"	1/2"	3/8"
3/4-10	1-1/8"	5/8"	1/2"
7/8-9	1-5/16"	3/4"	9/16"
1.00-8	1-1/2"	3/4"	5/8"
1.00-14	1-1/2"	3/4"	5/8"
1.25-7	1-7/8"	7/8"	7/8"
1.50-6	2-1/4"	1"	1"

WARRANTY

Claim Procedure

Notify the Genesis Service Department of the potential warranty claim prior to making the repair. Digital pictures are very helpful for diagnosing problems and recommending repairs.

Contact the Genesis Service Department before making alterations, changes or repairs to any component that is going to be considered for warranty. Not doing so will void all Genesis warranty consideration.

The Genesis Service Department will issue an authorization number to track the repair costs, outgoing parts, and/or defective parts returning to the factory.

Replacement parts must be ordered using a purchase order number. Shipping is standard ground. Overnight shipping is available by request, and Genesis will not cover the shipping charge.

When the repair is complete, submit an invoice to the Genesis Service Department within 30 days. Include itemized internal labor reporting, parts lists and invoices for outside contractors. Reference the authorization number on all invoices.

When returning parts for warranty consideration, include a copy of any related Genesis paperwork along with any other necessary documentation to ensure proper processing and credit. The Genesis Service Department will provide the necessary forms.

Your account will be credited when the warranty claim is accepted.

Blade Warranty

Standard warranty on blades will only be considered on the first edge, and wear on the edge must be 1/8" radius or less. Genesis does not warranty cutting blades that are cracked or broken from top to bottom (perpendicular to the long edge of the blade). Genesis also does not cover fasteners, the labor to replace wear components or collateral damage, such as blade seats, from broken blades, the piercing blade tang or adjustment plates.

Please direct any questions to the Genesis Service Department: 715-395-5252

PARTS ORDER POLICY AND PROCEDURE

Parts Orders Should Include

- Purchase order number
- Model and serial number of attachment
- Part number and quantity needed
- Shipping and billing address
- Method of shipment or required delivery date

Placing Orders

Orders may be placed by phone or e-mail. To e-mail an order, use the form on the following page or your purchase order form. Contact information is located at the front of this manual.

Part Numbers

Part numbers are listed in a separate Parts Manual or, if included, the Parts section of this manual. Contact the Genesis Parts Department with questions regarding part numbers, availability and pricing.

Shipping

All orders will be shipped best way surface unless an alternate shipping method is requested. Shipping charges are not included in the purchase price of parts.

Invoices

All invoices are due upon receipt. Any accounts with invoices open beyond 60 days are subject to review and may be placed on C.O.D. status without further notice.

Returns

Many unused Genesis parts may be returned with proper documentation. Return shipping is the responsibility of the purchaser. Credit will be issued upon return, less a 25% restocking fee. Documentation is required for credit of returned parts. Contact the Genesis Service Department at 715-395-5252 for an RGA (Return Goods Authorization) number and form. An RGA must accompany every return. Items shipped without an RGA may be returned to sender.

Warranty Returns

All parts returned to Genesis for warranty consideration must be returned with a completed RGA (Return Goods Authorization) provided by the Genesis Service Department. The form needs to be completed in its entirety, including any additional information requested by the Service Department. Return shipping is the responsibility of the sender and will be credited upon claim approval. A determination to accept or deny the claim will be made based upon the information available to Genesis. Warranty on purchased parts other than wear components is 6 months. Genesis does not cover labor costs to replace purchased parts replaced under warranty. There is no warranty period on wear parts or components.

INDEX

- 1-1/2" Split Flange Kit 31, 33
- 1-1/4" Split Flange Kit 31
- 1-1/4" Split Flange Kit 33
- 2" Split Flange Kit 33
- 1101646 Mach Thrust Washer 7, 9
- 1101649 Shim Set Thrust Washer 7, 9
- 1101957 Mach Blade Razor 11
- 1102487 Mach Pin Keeper (Clevis) 17
- 1102857 Mach Bolt Socket Head Capscrew 1 1/4 - 7 x 4 1/2 13
- 1103104 Mach Blade 11, 13
- 1103394 Blade Shim Set 11
- 1104443 Mach Adjustment Plate Primary 11
- 1104445 Mach Adjustment Plate Secondary 11
- 1104799 Mach Bearing 7, 9
- 1105854 Mach Flange Shoulder Bolt 19
- 1105883 Plt Bolt Cover 21
- 1105888 Hose 41
- 1106465 Hose 25
- 1106466 Hose 25
- 1106478 Shim Set, Auto Guide 15
- 1106667 Mach End Cap 7, 9
- 1106669 Mach Tie Rod Nut 7, 9
- 1106677 Mach Plt Frmd Valve Tray 31
- 1106679 Hose 31
- 1106680 Hose 31
- 1106681 Hose 31
- 1106682 Hose 31
- 1106764 Mach Rear Cyl Pin 17
- 1106765 Mach Pin Keeper Rear 17
- 1106767 Mach Bearing Upper Cylinder Connection 17
- 1106769 Wldt Front Cyl Pin 17
- 1106772 Mach Tie Rod 7
- 1106782 Mach Blade Tip Left 13
- 1106783 Mach Blade Tip Right 13
- 1106784 Mach Blade Guide 11
- 1106785 Mach Guide Blade Adjustment Plate 11
- 1106786 Mach Guide Blade Adjustment Plate 11
- 1106799 Guide Blade Shim Set 2.0 x 10.5 x 7.0 11
- 1106800 Guide Blade Shim Set 2.0 x 7.0 x 10.5 11
- 1107067 Hose 33
- 1107068 Hose 33
- 1107069 Hose 33
- 1107832 Wldt Cover 19
- 1107838 Plt Rear Cover 19
- 1108045 Hose 33
- 1108194 Valve Tray 33
- 1108257 Hose 25
- 5500752 Plt Strap 21
- 5512411 Mach Grease Bulkhead Adaptor 41
- 5512419 Mach Slewing Ring Grease Adaptor 41
- 5513129 Wtmg Sub Head 21
- 5513200 Plt Sub Head Cover 21
- 6200002 Grease Fitting 7, 9, 15, 17, 21, 41
- 6300014 Diagnostic Nipple 06MB 25
- 6300061 Pilot to Close Check Valve 37, 39
- 6300075 Plug Socket Head 02MB 37, 39
- 6300076 Plug Socket Head 04MB 37, 39
- 6300078 Plug Socket Head 16MB 37, 39
- 6300088 Diagnostic Nipple 27, 37, 39
- 6300148 Adaptor 06MO-08MB 25
- 6300303 Adaptor 08MB-08MO-90 25
- 6300361 Valve Flow Control 29
- 6300364 Filter 29
- 6300407 Adaptor Run Tee 06FOX-06MO-06MO 25
- 6300430 Bearing Slewing 23
- 6300446 Gear Box 23
- 6300497 Adaptor Bulkhead 08MB-08MO 29
- 6300501 Valve Relief 27
- 6300512 Adaptor 12MB - 08FB 25
- 6300609 Valve Line Body 29
- 6300623 Logic Valve 37, 39
- 6300625 Pressure Reducing Valve 37, 39
- 6300731 Adaptor 02MP-04MO 41
- 6300903 Plug Pipe Orifice 01MP 1/16-27 NPT 37, 39
- 6301112 O-Ring 19
- 6301200 Shuttle Valve 39
- 6310001 Diagnostic Nipple Dust Cap 25, 27, 37, 39
- 6310149 Adaptor Bulkhead 06MO-06MO 25
- 6310183 Adaptor 08MB-08MB 29
- 6310204 Adaptor 06MO-08MB-90 25
- 6340012 Motor 23
- 6360021 Valve Regen 37
- 6360024 Valve Regen 39
- 6360088 Valve Check 27
- 6380011 Check Valve 37, 39
- 6380035 Valve Counterbalance 27
- 6380079 Valve Block 27
- Assembly Access Covers 5, 18, 19
- Assembly Auto Guide 5, 14, 15
- Assembly Cylinder B16 R10 S38 31, 33
- Assembly Cylinder Pins 5, 16, 17
- Assembly Lower Blades 5, 10, 11
- Assembly Open and Close Circuit 5
- Assembly Open and Close Circuit - 6350081 30, 31
- Assembly Open and Close Circuit - 6350092 32, 33
- Assembly Pivot Group - Left Side 5, 8, 9
- Assembly Pivot Group - Right Side 5, 6, 7
- Assembly Rotation 5, 22, 23, 25
- Assembly Rotation Circuit 5, 24, 25
- Assembly Slewing Ring Lubrication 5, 40, 41
- Assembly Swivel Manifold 5, 31, 33, 34, 35
- Assembly Upper Blades 5, 12, 13
- Assembly Upper Head 5, 20, 21
- Bolt Drive Specifications 48
- Bolt Torque Specifications 42, 46
- Contact Information 2, 54
- F0110030 Hex Head Capscrew M10 x 1.50 x 30 21

INDEX

F0112030 Hex Head Capscrew M12 x 1.75 x 30	19, 21	O-Ring Boss & Flat Face O-Ring Torque Specifications	47
F0112050 Hex Head Capscrew M12 x 1.75 x 50	31	O-Ring (Not Shown)	33
F0112050 Hex Head Capscrew M12 X 1.75 X 50	33	Parts Order Form	51
F0116035 Hex Head Capscrew M16 x 2.0 x 35	33	Parts Order Policy and Procedure	50
F0116060 Hex Head Capscrew M16 x 2.0 x 60	23, 31, 33	Procedures	44, 45
F0120070 Hex Head Capscrew M20 x 2.5 x 70	33	Regen Block Sub-Assembly - 6360021	36, 37
F0120250 Hex Head Capscrew M20 x 2.5 x 250	35	Regen Block Sub-Assembly - 6360024	38, 39
F0130150 Hex Head Capscrew M30 x 3.5 x 150	23	S0190214 O-Ring (90 Durometer -214)	23
F0210200 Hex Head Capscrew 1 - 8 x 2	11	S0190222 O-Ring	31
F0210500 Hex Head Capscrew 1 - 8 x 5	11, 15	S0190222 O-Ring (90 Durometer -222)	33
F0210600 Hex Head Capscrew 1 - 8 x 6	11	S0190225 O-Ring (90 Durometer -225)	31, 33
F0250150 Hex Head Capscrew ½ - 13 x 1½	23	S0190228 O-Ring (90 Durometer -228)	33
F0412030 Flat Head Capscrew M12 x 1.75 x 30	7, 9	S0190250 O-Ring (90 Durometer -250)	23
F0510550 Flat Head Capscrew 1 - 8 x 5½	13	S0190350 O-Ring (90 Durometer -350)	7, 9
F0510600 Flat Head Capscrew 1 - 8 x 6	11	Seal Kit 6300622	36, 37, 39
F0510700 Flat Head Capscrew 1 - 8 x 7	13	Seal Kit 6300624	36, 37, 39
F0610035 Socket Head Capscrew M10 x 1.50 x 35	7, 9, 41	Seal Kit 6300633	26, 27
F0612040 Socket Head Capscrew M12 x 1.75 x 40	7, 9	Seal Kit 6300634	28, 29
F0612120 Socket Head Capscrew M12 x 1.75 x 120	31	Seal Kit SK00023	36, 37, 39
F0616035 Socket Head Capscrew M16 x 2.0 x 35	31, 33	Seal Kit SK00024	36, 37, 39
F0620090 Socket Head Capscrew M20 x 2.50 x 90	7, 9	Seal Kit SK00058	26, 27
F0620130 Socket Head Capscrew M20 x 2.50 x 130	17	Seal Kit SK00129	37
F0620230 Socket Head Capscrew M20 x 2.50 x 230	17	Seal Kit SK00156	26, 27
F0910008 Hex Nut 1 - 8	11, 13	Seal Kit SK00189	39
F1020250 Nylock Hex Nut M20 x 2.50	17	Socket Head Capscrew M16 x 2.00	31
F1201021 Flat Washer M10	7, 9, 21	Socket Head Capscrew M16 x 2.00 (Not Shown)	33
F1201224 Flat Washer M12	7, 9, 19	Sub-Assembly Line Mount Manifold	5, 25, 28, 29
F1201630 Flat Washer M16	31, 33	Sub-Assembly Regen Block	5
F1202037 Flat Washer M20	7, 9	Sub-Assembly Rotate Cross-over / C'bal	5, 26, 27
F1300100 Flat Washer Narrow 1"	11, 13, 15	Sub-Assembly Rotate Cross-over/C'bal	25
F1401200 Lock Washer M12	21, 31, 33	Table of Contents	3
F1401628 Lock Washer M16	31, 33	Thread Treatment Diagram	43
F1402000 Lock Washer M20	33	Torque Arm Kit	35
F1900050 Wedge Lock Washer ½	23	Valve Regen	31, 33
F1900063 Wedge Lock Washer ⅝	23	Warranty	49
F1900075 Wedge Lock Washer ¾	35	Wldt Pin	21
F2510100 Set Screw Socket Head 1 - 8 x 1	11	Wtmg Lug Upper Head	5, 21
F2803000 Hytorc Reaction Washer M30	23	Wtmg Stick	5
F3616020 Socket Head Shoulder Screw M16 x 2.0 x 20	31, 33	Wtmg Upper	5
General Arrangement	4, 5		
H0262125 Split Flange Half 1.25 Code 62	31, 33		
H0262150 Split Flange Half 1.50 Code 62	31, 33		
H0262200 Split Flange Half 2.00 Code 62	33		
Mach Auto Guide	15		
Mach Bearing	21		
Mach Boom Bearing	21		
Mach Main Shaft	9		
Mach Port Block	31		
Mach Port Block (Not Shown)	33		
Mach Spacer Sleeve	21		
O-Ring	31		



GENESIS®

The Promise of Performance.

CONTACT INFORMATION

Genesis Attachments

1000 Genesis Drive
Superior, WI 54880 USA

Toll Free: 888-SHEAR-IT
(888-743-2748)

Phone: 715.395.5252

E-mail:
info@genesisattachments.com

Europe/Africa/Middle East Genesis GmbH

Teramostrasse 23
87700 Memmingen, Germany

Phone: +49 83 31 9 25 98 0

Fax: +49 83 31 9 25 98 80

genesis-europe.com

E-mail:
info@genesis-europe.com

Asia Pacific Representative Office

24 Upper Serangoon View #12-28
Singapore 534205

Phone: +65 9673 9730

E-mail:
tchoo@genesisattachments.com

Central America & Colombia

Cra 13A #89-38 / Ofi 613
Bogota, Colombia

Phone: +57 1 610 8160 / 795 8747

E-mail:
contact@themsagroup.com

View and download all manuals: genesisattachments.com/manuals
Patents: genesisattachments.com/products/patents