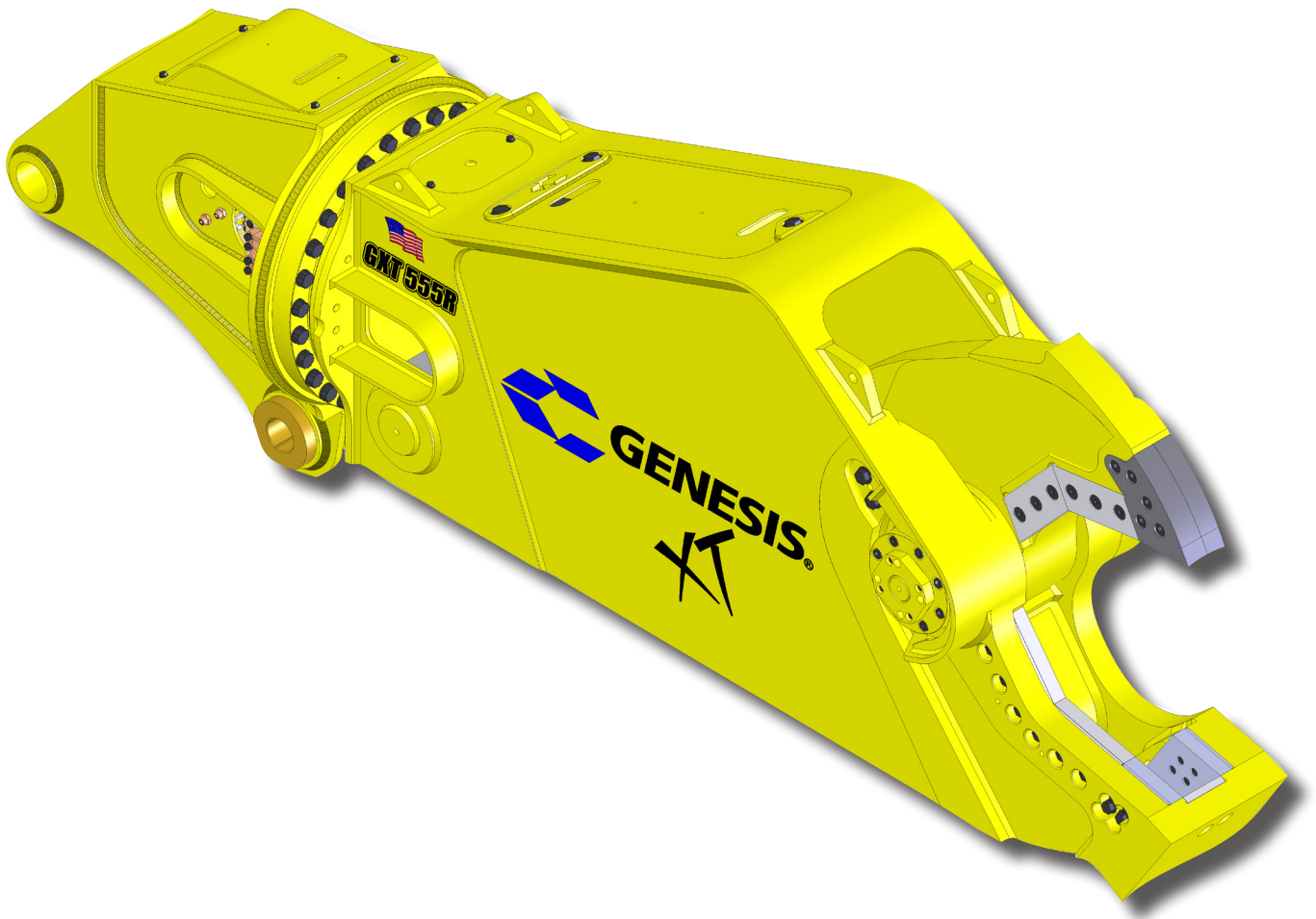




# GXT 555R Mobile Shear

## PARTS MANUAL



## CONTACT INFORMATION

### Genesis Attachments

1000 Genesis Drive  
Superior, WI 54880 USA

Toll Free: 888-SHEAR-IT  
(888-743-2748)

Phone: 715.395.5252

E-mail:  
info@genesisattachments.com

### Europe/Africa/Middle East Genesis GmbH

Teramostrasse 23  
87700 Memmingen, Germany

Phone: +49 83 31 9 25 98 0  
Fax: +49 83 31 9 25 98 80  
genesis-europe.com

E-mail:  
info@genesis-europe.com

### Asia Pacific Representative Office

24 Upper Serangoon View #12-28  
Singapore 534205

Phone: +65 9673 9730

E-mail:  
tchoo@genesisattachments.com

### Central America & Colombia

Cra 13A #89-38 / Ofi 613  
Bogota, Colombia

Phone: +57 1 610 8160 / 795 8747

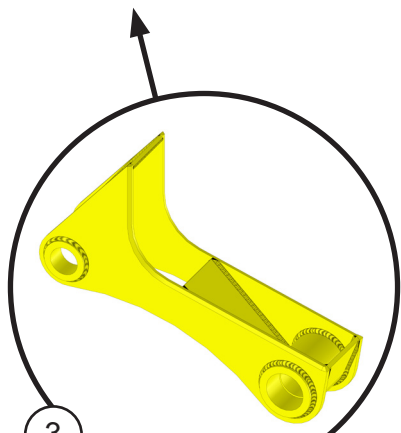
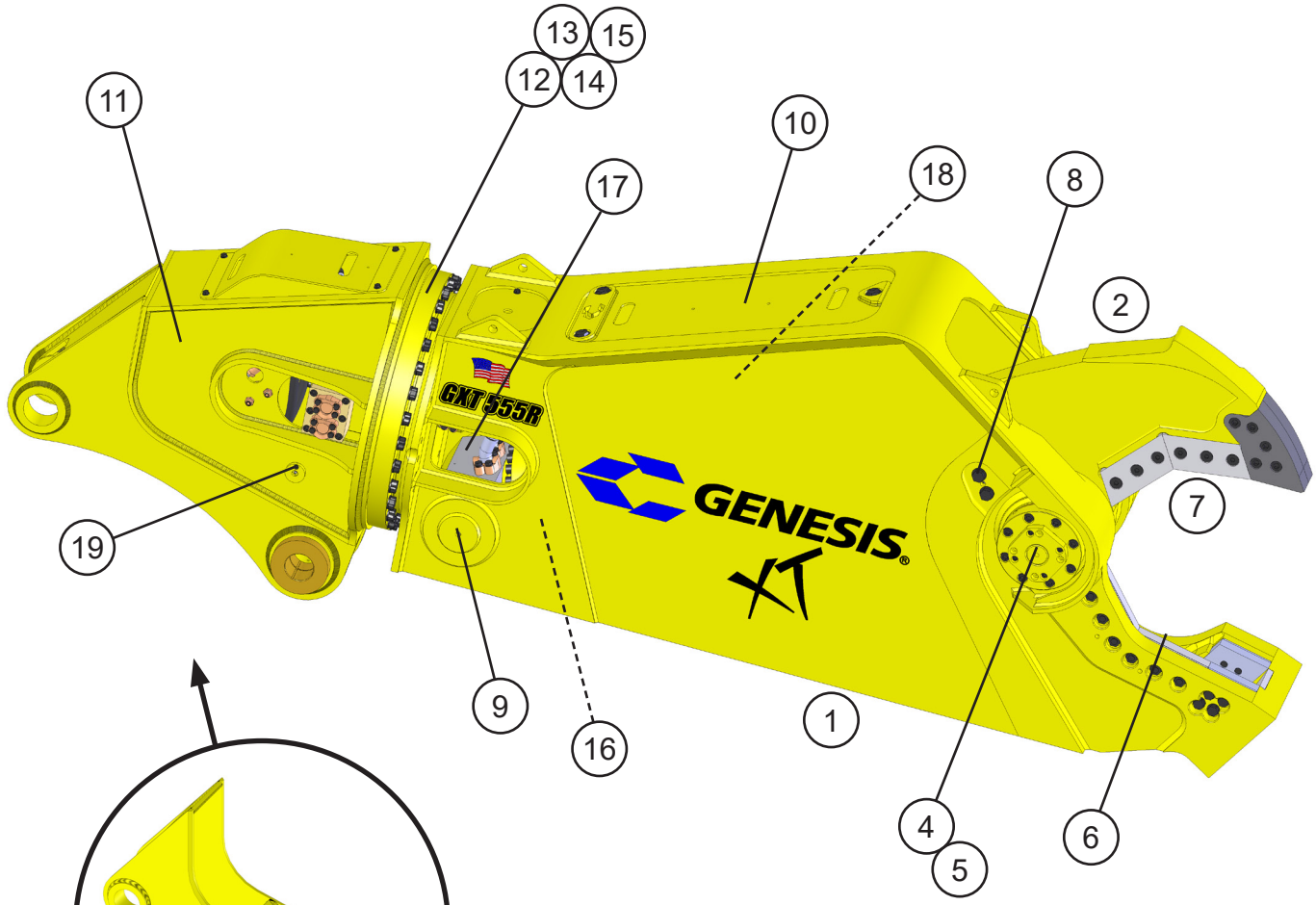
E-mail:  
contact@themsagroup.com

View and download all manuals: [genesisattachments.com/manuals](http://genesisattachments.com/manuals)  
Patents: [genesisattachments.com/products/patents](http://genesisattachments.com/products/patents)

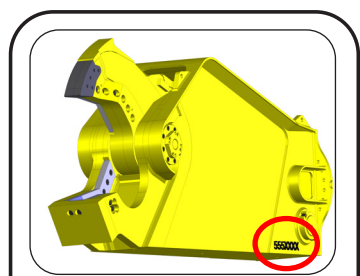
# TABLE OF CONTENTS

<b>CONTACT INFORMATION</b> .....	<b>2</b>
<b>GENERAL ARRANGEMENT</b> .....	<b>4</b>
<b>ASSEMBLY PIVOT GROUP - RIGHT SIDE</b> .....	<b>6</b>
<b>ASSEMBLY PIVOT GROUP - LEFT SIDE</b> .....	<b>8</b>
<b>ASSEMBLY LOWER BLADES</b> .....	<b>10</b>
<b>ASSEMBLY UPPER BLADES</b> .....	<b>12</b>
<b>ASSEMBLY AUTO GUIDE</b> .....	<b>14</b>
<b>ASSEMBLY CYLINDER PINS</b> .....	<b>16</b>
<b>ASSEMBLY ACCESS COVERS</b> .....	<b>18</b>
<b>ASSEMBLY UPPER HEAD</b> .....	<b>20</b>
<b>ASSEMBLY ROTATION</b> .....	<b>22</b>
<b>ASSEMBLY ROTATION CIRCUIT</b> .....	<b>24</b>
<b>SUB-ASSEMBLY ROTATE CROSS-OVER / C'BAL</b> .....	<b>26</b>
<b>SUB-ASSEMBLY LINE MOUNT MANIFOLD</b> .....	<b>28</b>
<b>ASSEMBLY OPEN AND CLOSE CIRCUIT</b> .....	<b>30</b>
<b>ASSEMBLY SWIVEL MANIFOLD</b> .....	<b>32</b>
<b>REGEN BLOCK SUB-ASSEMBLY</b> .....	<b>34</b>
<b>ASSEMBLY SLEWING RING LUBRICATION</b> .....	<b>36</b>
<b>BOLT TORQUE SPECIFICATIONS</b> .....	<b>38</b>
<b>THREAD TREATMENT DIAGRAM</b> .....	<b>39</b>
Mobile Shears.....	39
<b>PROCEDURES</b> .....	<b>40</b>
Cleaning.....	40
Threadlocker.....	40
Anti-Seize.....	41
No Thread Treatment.....	41
<b>BOLT TORQUE SPECIFICATIONS</b> .....	<b>42</b>
Dry Torque Values.....	42
Wet Torque Values.....	42
<b>O-RING BOSS &amp; FLAT FACE O-RING TORQUE SPECIFICATIONS</b> .....	<b>43</b>
<b>BOLT DRIVE SPECIFICATIONS</b> .....	<b>44</b>
<b>WARRANTY</b> .....	<b>45</b>
Claim Procedure.....	45
Blade Warranty.....	45
<b>PARTS ORDER POLICY AND PROCEDURE</b> .....	<b>46</b>
Parts Orders Should Include.....	46
Placing Orders.....	46
Part Numbers.....	46
Shipping.....	46
Invoices.....	46
Returns.....	46
Warranty Returns.....	46
<b>PARTS ORDER FORM</b> .....	<b>47</b>
<b>INDEX</b> .....	<b>48</b>
<b>CONTACT INFORMATION</b> .....	<b>50</b>

# GENERAL ARRANGEMENT



**3**  
**Wtmg Lug Upper Head**  
 Part Number is Serial Number specific.  
 For replacement parts call the Genesis  
 Parts Department.  
**USA**                      **Europe**  
 715-395-5614    +49 83 31 9 25 98 0  
 715-395-3405



**Serial Number Location**  
 Facing the left side of shear,  
 lower right corner.

## GENERAL ARRANGEMENT

ITEM	QTY	PART NUMBER	DESCRIPTION
1	1	*	Wtmg Stick
2	1	*	Wtmg Upper
3		*	Wtmg Lug Upper Head
4		See page 6	Assembly Pivot Group - Right Side
5		See page 8	Assembly Pivot Group - Left Side
6		See page 10	Assembly Lower Blades
7		See page 12	Assembly Upper Blades
8		See page 14	Assembly Auto Guide
9		See page 16	Assembly Cylinder Pins
10		See page 18	Assembly Access Covers
11		See page 20	Assembly Upper Head
12		See page 22	Assembly Rotation
13		See page 24	Assembly Rotation Circuit
14		See page 26	Sub-Assembly Rotate Cross-over / C'bal
15		See page 28	Sub-Assembly Line Mount Manifold
16		See page 30	Assembly Open and Close Circuit
17		See page 32	Assembly Swivel Manifold
18		See page 34	Sub-Assembly Regen Block
19		See page 36	Assembly Slewing Ring Lubrication

\* Part numbers are Serial Number specific. For replacement parts call the Genesis Parts Department.

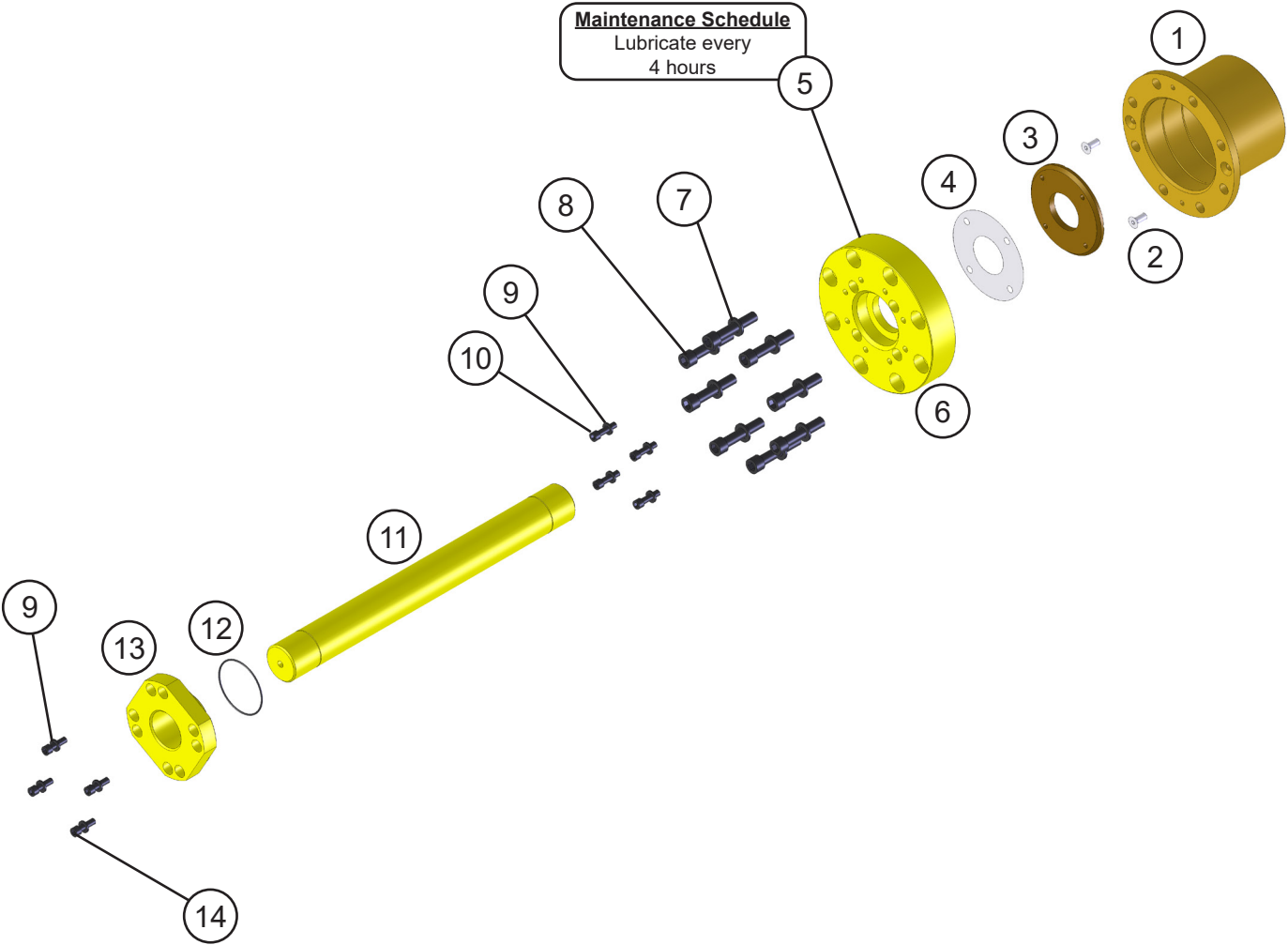
**USA**

715-395-3488

**Europe**

+49 83 31 9 25 98 0

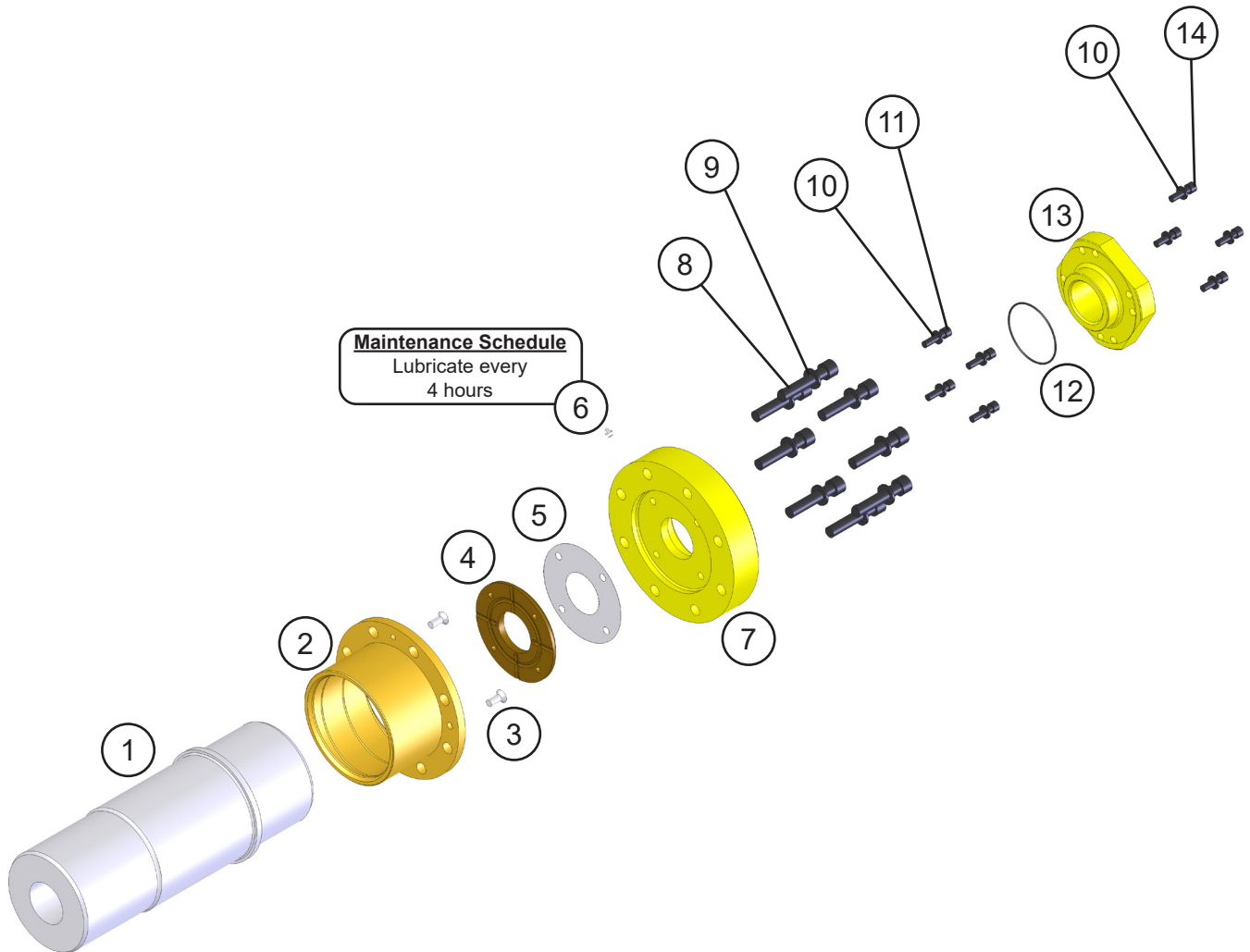
# ASSEMBLY PIVOT GROUP - RIGHT SIDE



## ASSEMBLY PIVOT GROUP - RIGHT SIDE

ITEM	QTY	PART NUMBER	DESCRIPTION
1	1	1103125	Mach Bearing
2	2	F0412030	Flat Head Capscrew M12 x 1.75 x 30
3	1	1102442	Mach Thrust Washer
4	1	1102448	Shim Set Thrust Washer
5	1	6200002	Grease Fitting
6	1	1102444	Mach End Cap
7	8	F1202037	Flat Washer M20
8	8	F0620100	Socket Head Capscrew M20 x 2.50 x 100
9	8	F1201224	Flat Washer M12
10	4	F0612045	Socket Head Capscrew M12 x 1.75 x 45
11	1	1106411	Mach Tie Rod
12	1	S0190244	O-Ring
13	1	1102446	Mach Tie Rod Nut
14	4	F0612040	Socket Head Capscrew M12 x 1.75 x 40

# ASSEMBLY PIVOT GROUP - LEFT SIDE





## ASSEMBLY PIVOT GROUP - LEFT SIDE

ITEM	QTY	PART NUMBER	DESCRIPTION
1	1	*	Mach Main Shaft
2	1	1103126	Mach Bearing
3	2	F0412030	Flat Head Capscrew M12 x 1.75 x 30
4	1	1102442	Mach Thrust Washer
5	1	1102448	Shim Set Thrust Washer
6	1	6200002	Grease Fitting
7	1	1102444	Mach End Cap
8	8	F1202037	Flat Washer M20
9	8	F0620100	Socket Head Capscrew M20 x 2.50 x 100
10	8	F1201224	Flat Washer M12
11	4	F0612045	Socket Head Capscrew M12 x 1.75 x 45
12	1	S0190244	O-Ring
13	1	1102446	Mach Tie Rod Nut
14	4	F0612040	Socket Head Capscrew M12 X 1.75 X 40

\* Part number is Serial Number specific. For replacement parts call the Genesis Parts Department.

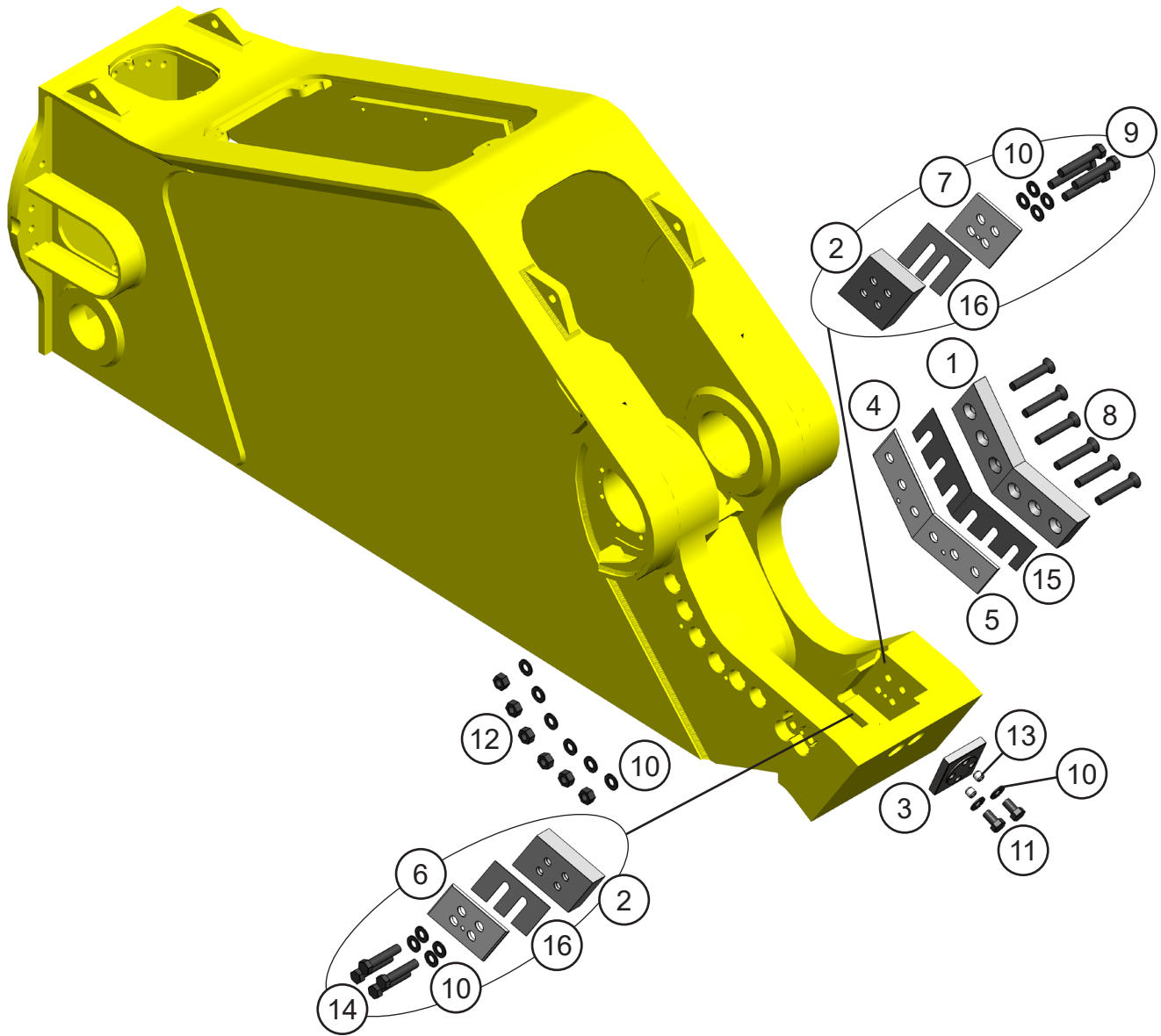
**USA**

715-395-3488

**Europe**

+49 83 31 9 25 98 0

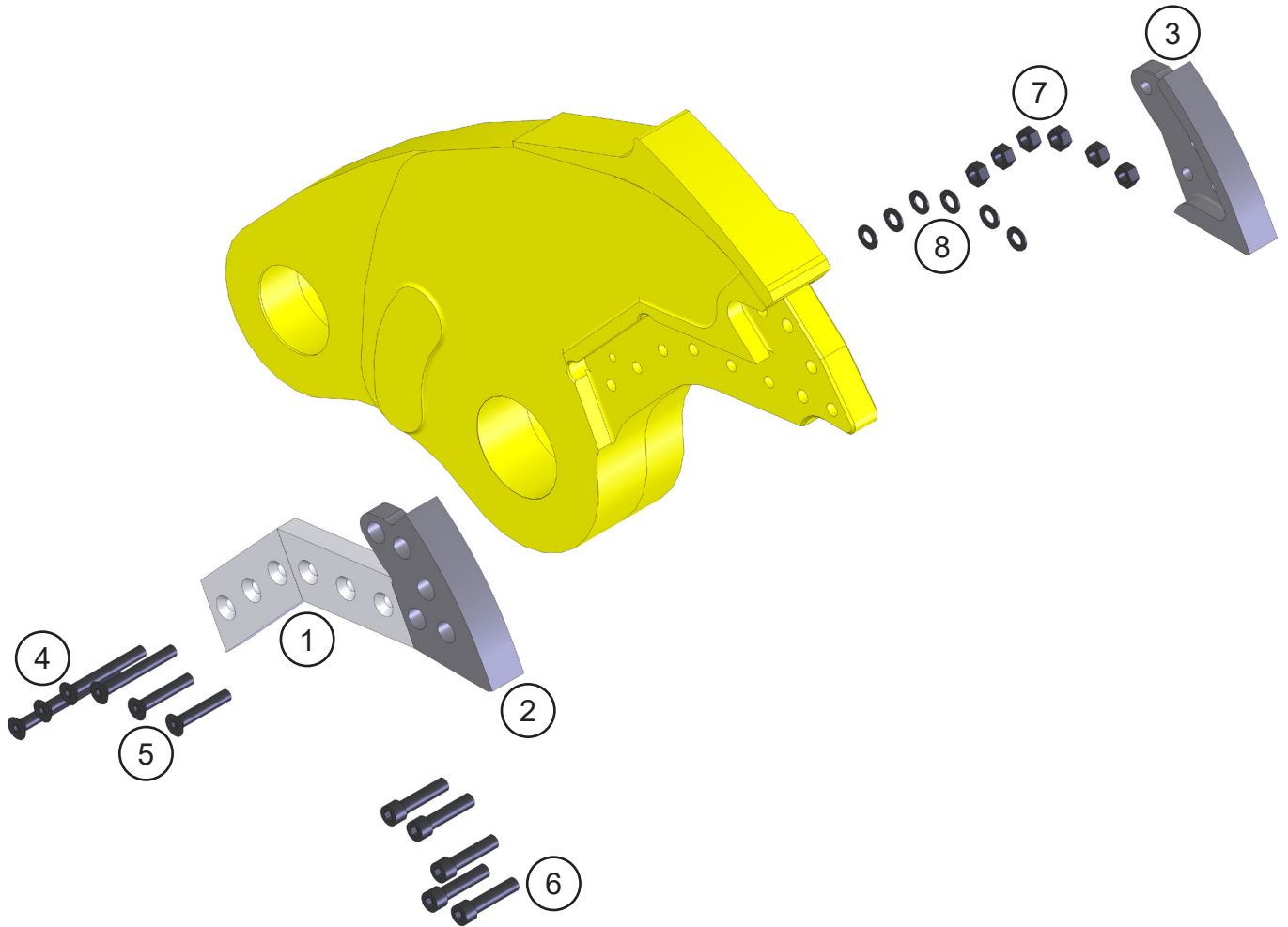
# ASSEMBLY LOWER BLADES



## ASSEMBLY LOWER BLADES

ITEM	QTY	PART NUMBER	DESCRIPTION
1	2	1103536	Mach Blade
2	2	1105941	Mach Blade Guide
3	1	1101955	Mach Blade Razor
4	1	1104649	Mach Adjust Plate Primary
5	1	1104650	Mach Adjust Plate Secondary
6	1	1106413	Mach Guide Blade Adjust Plate
7	1	1106414	Mach Guide Blade Adjust Plate
8	6	F0588450	Flat Head Capscrew $\frac{7}{8}$ - 9 x $4\frac{1}{2}$
9	4	F0288450	Hex Head Capscrew $\frac{7}{8}$ - 9 x $4\frac{1}{2}$
10	16	F1300088	Flat Washer Narrow $\frac{7}{8}$
11	2	F0288200	Hex Head Capscrew $\frac{7}{8}$ - 9 x 2
12	6	F0908809	Hex Nut $\frac{7}{8}$ - 9
13	2	F2588088	Set Screw Socket Head $\frac{7}{8}$ - 9 x $\frac{7}{8}$
14	4	F0288350	Hex Head Capscrew $\frac{7}{8}$ - 9 x $3\frac{1}{2}$
15		1104652	Shim Set, Blade
16		1106477	Shim Set, Guide Blade

# ASSEMBLY UPPER BLADES

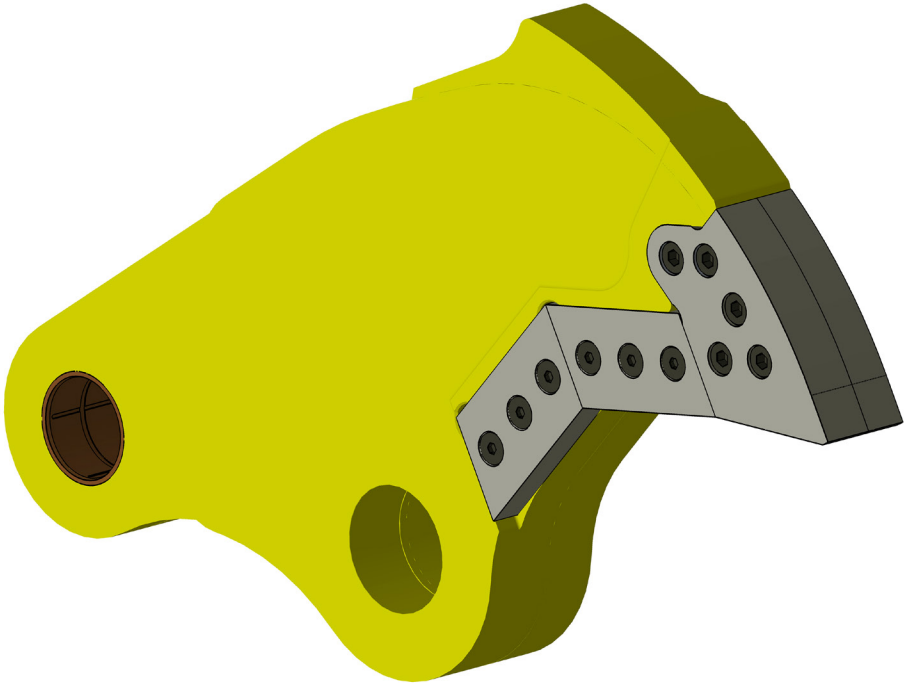
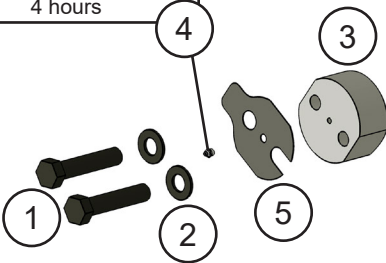


## ASSEMBLY UPPER BLADES

ITEM	QTY	PART NUMBER	DESCRIPTION
1	2	1103536	Mach Blade
2	1	1105939	Mach Blade Tip Right
3	1	1105940	Mach Blade Tip Left
4	4	F0588700	Flat Head Capscrew $\frac{7}{8}$ - 9 x 7
5	2	F0588500	Flat Head Capscrew $\frac{7}{8}$ - 9 x 5
6	5	1103609	Mach Bolt Socket Head Capscrew 1 - 8 x 4 $\frac{1}{2}$
7	6	F0908809	Hex Nut $\frac{7}{8}$ - 9
8	6	F1300088	Flat Washer Narrow $\frac{7}{8}$

# ASSEMBLY AUTO GUIDE

**Maintenance Schedule**  
Lubricate every  
4 hours



# ASSEMBLY AUTO GUIDE

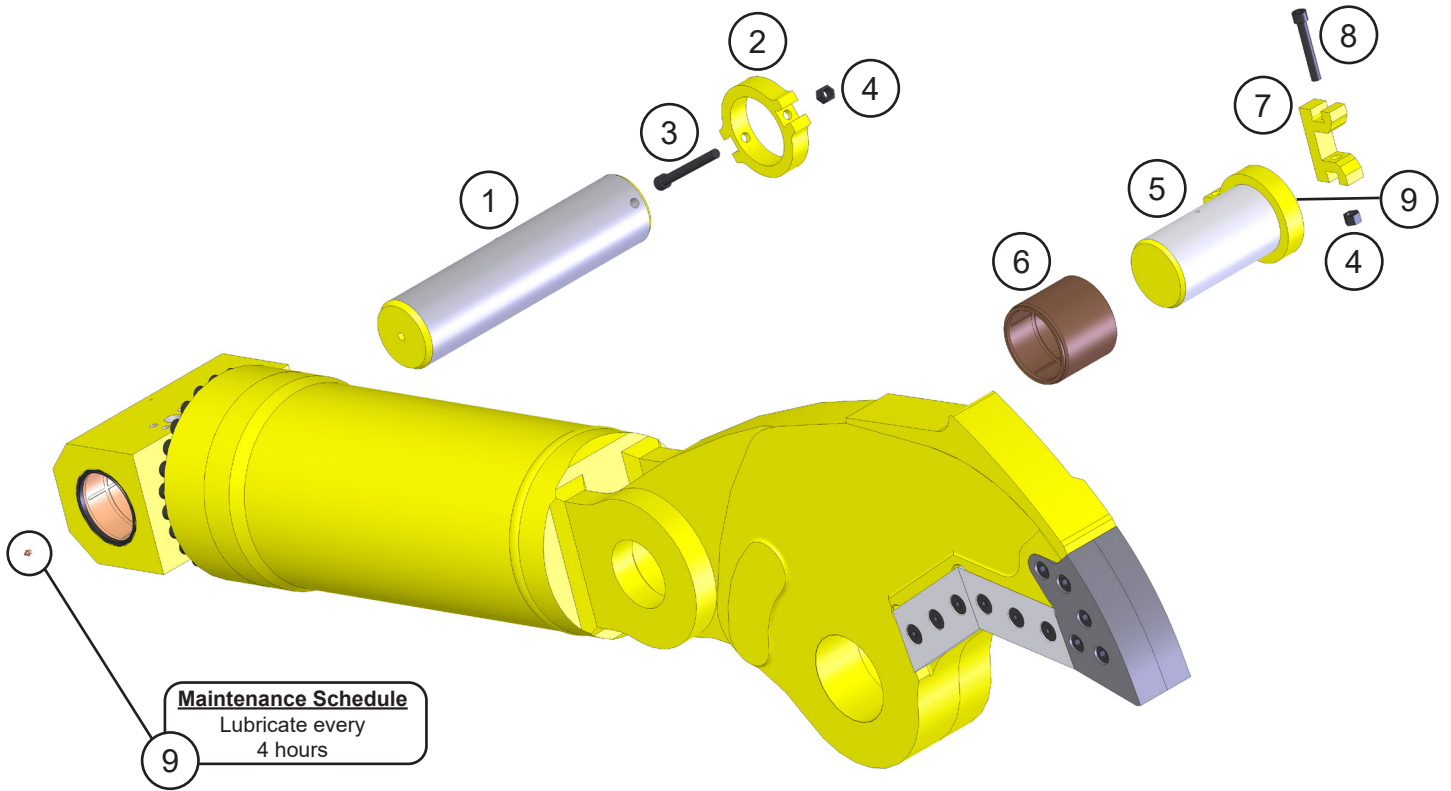
ITEM	QTY	PART NUMBER	DESCRIPTION
1	2	F0210500	Hex Head Capscrew 1 - 8 x 5
2	2	F1300100	Flat Washer Narrow 1"
3	1	*	Mach Auto Guide
4	1	6200002	Grease Fitting
5		1106478	Shim Set, Auto Guide

\* Part number is Serial Number specific. For replacement parts call the Genesis Parts Department.

**USA**  
715-395-3488

**Europe**  
+49 83 31 9 25 98 0

# ASSEMBLY CYLINDER PINS

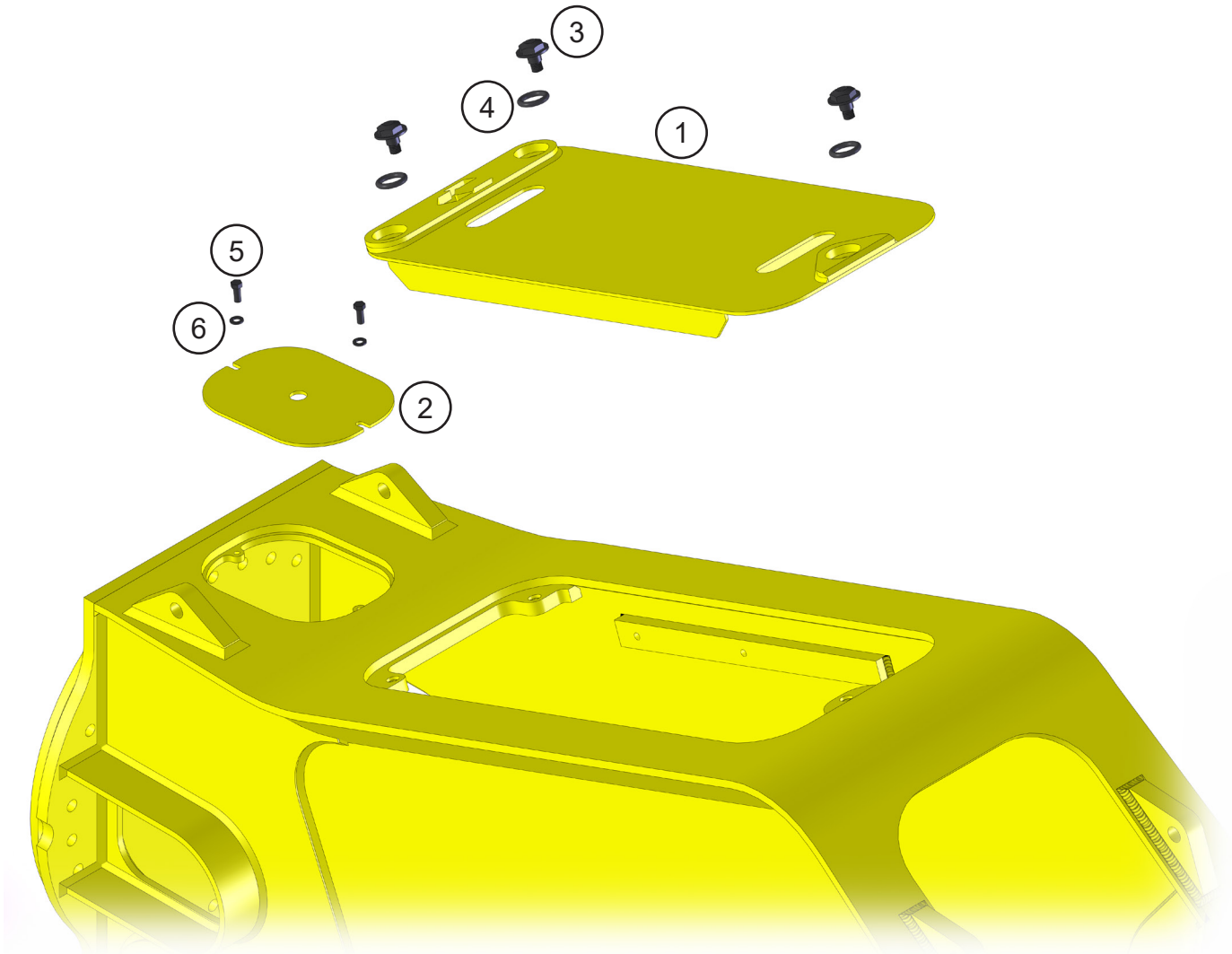




## ASSEMBLY CYLINDER PINS

ITEM	QTY	PART NUMBER	DESCRIPTION
1	1	1106422	Mach Rear Cyl Pin
2	1	1103172	Mach Pin Keeper Rear
3	1	F0620200	Socket Head Capscrew M20 x 2.50 x 200
4	2	F1020250	Nylock Hex Nut M20 x 2.50
5	1	1105985	Wldt Front Cyl Pin
6	1	3100061	Mach Bearing Upper Cylinder Connection
7	1	1102487	Mach Pin Keeper (Clevis)
8	1	F0620130	Socket Head Capscrew M20 x 2.50 x 130
9	2	6200002	Grease Fitting

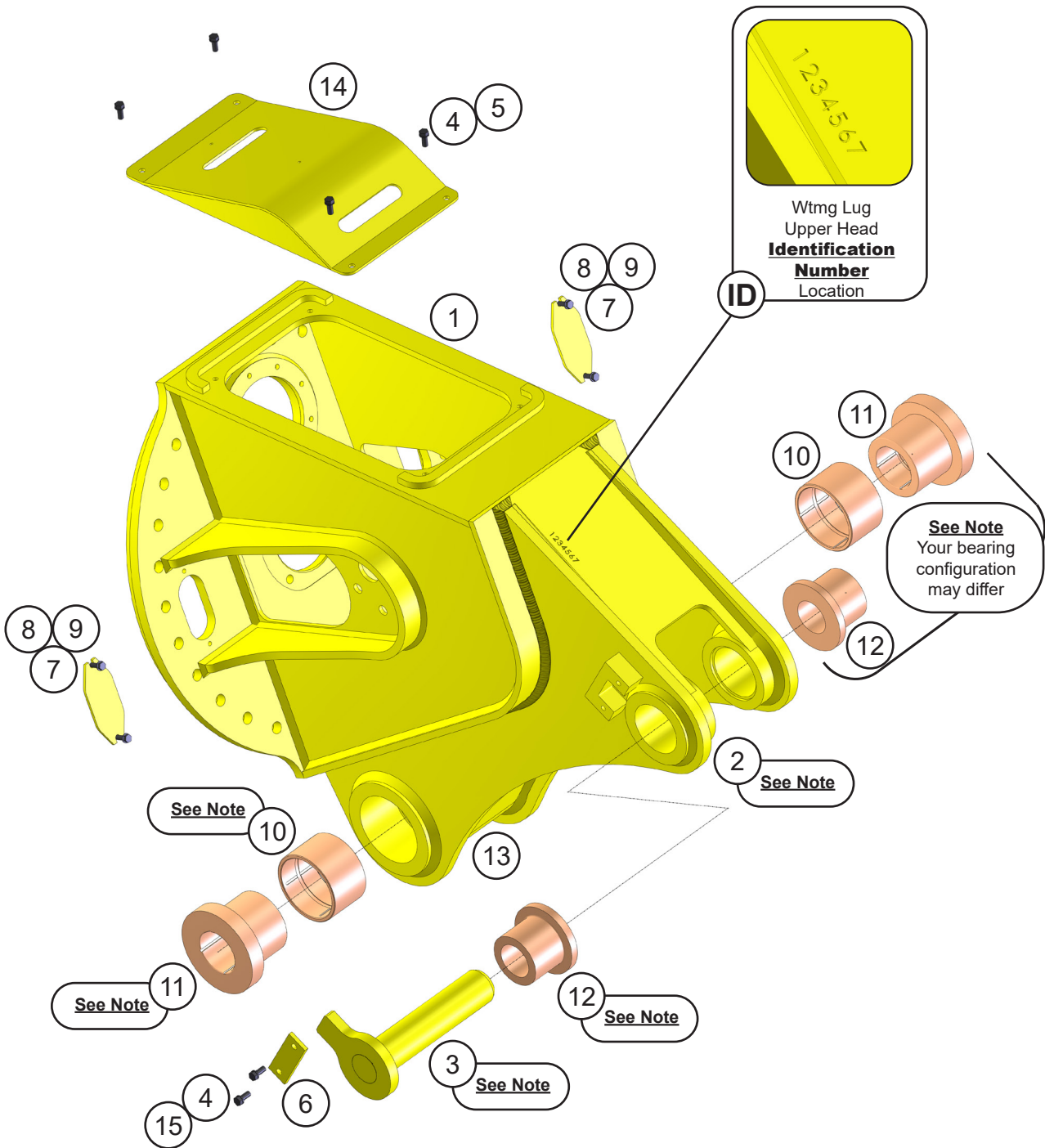
# ASSEMBLY ACCESS COVERS



## ASSEMBLY ACCESS COVERS

ITEM	QTY	PART NUMBER	DESCRIPTION
1	1	1107532	Wldt Cover
2	1	1107838	Plt Rear Cover
3	3	1105854	Mach Flange Shoulder Bolt
4	3	6301112	O-Ring
5	2	F0112020	Hex Head Capscrew M12 x 1.75 x 20
6	2	F1201224	Flat Washer M12

# ASSEMBLY UPPER HEAD



## ASSEMBLY UPPER HEAD

ITEM	QTY	PART NUMBER	DESCRIPTION
1	1	*	Wtmg Sub Head
2	1	*	Wtmg Lug Upper Head
3	1	*	Wldt Pin
4	6	F0112030	Hex Head Capscrew M12 x 1.75 x 30
5	4	F1201224	Flat Washer M12
6	1	5500752	Plt Strap
7	2	1105883	Plt Bolt Cover
8	4	F0110030	Hex Head Capscrew M10 x 1.50 x 30
9	4	F1201021	Flat Washer M10
10	2	*	Mach Bearing
11	2	*	Mach Boom Bearing
12	2	*	Mach Spacer Sleeve
13	1	6200002	Grease Fitting
14	1	1105878	Wtmg Sub Head Cover
15	2	F1401200	Lock Washer M12

\* Part numbers are Serial Number specific. For replacement parts call the Genesis Parts Department.

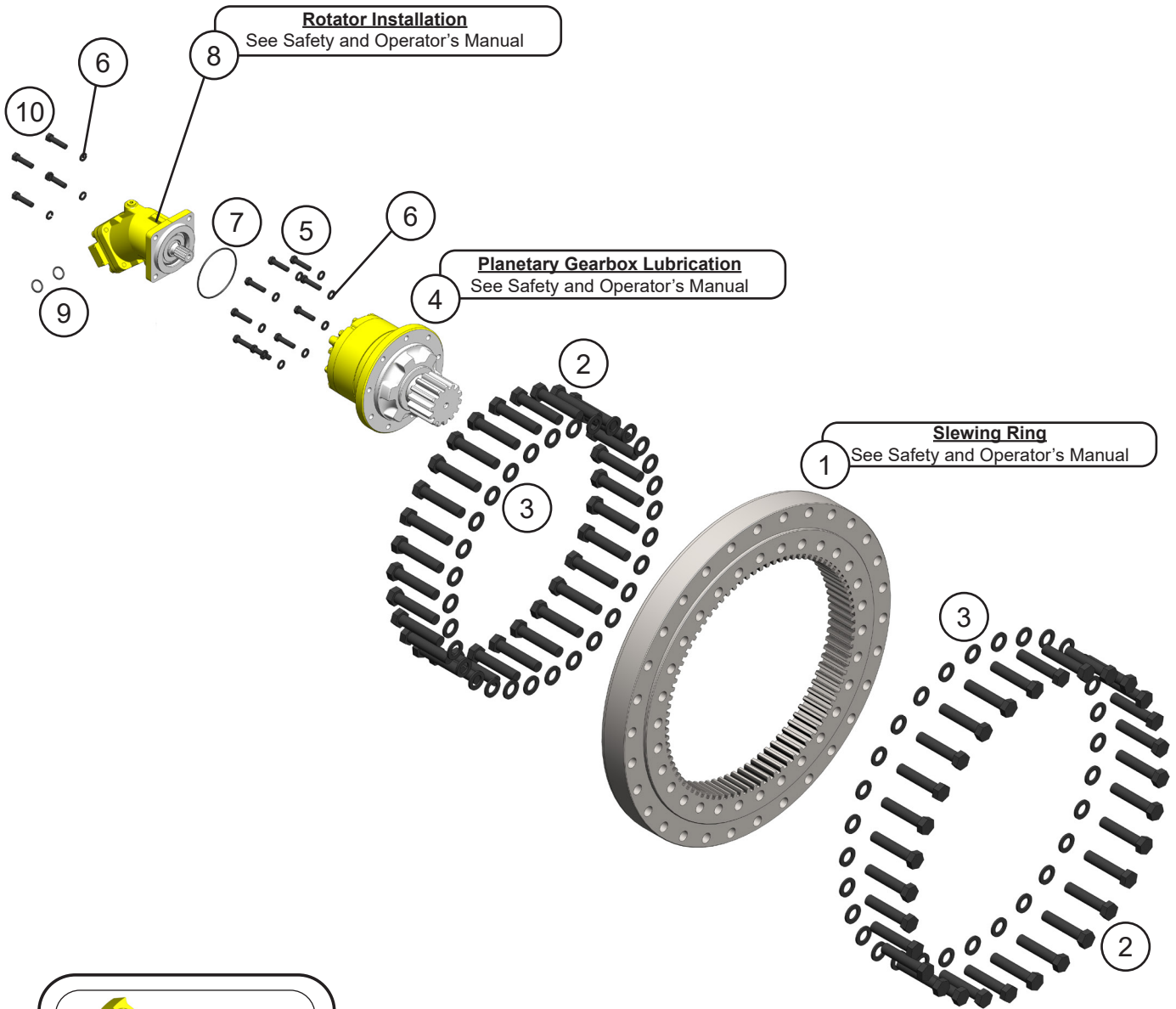
**USA**

715-395-3488

**Europe**

+49 83 31 9 25 98 0

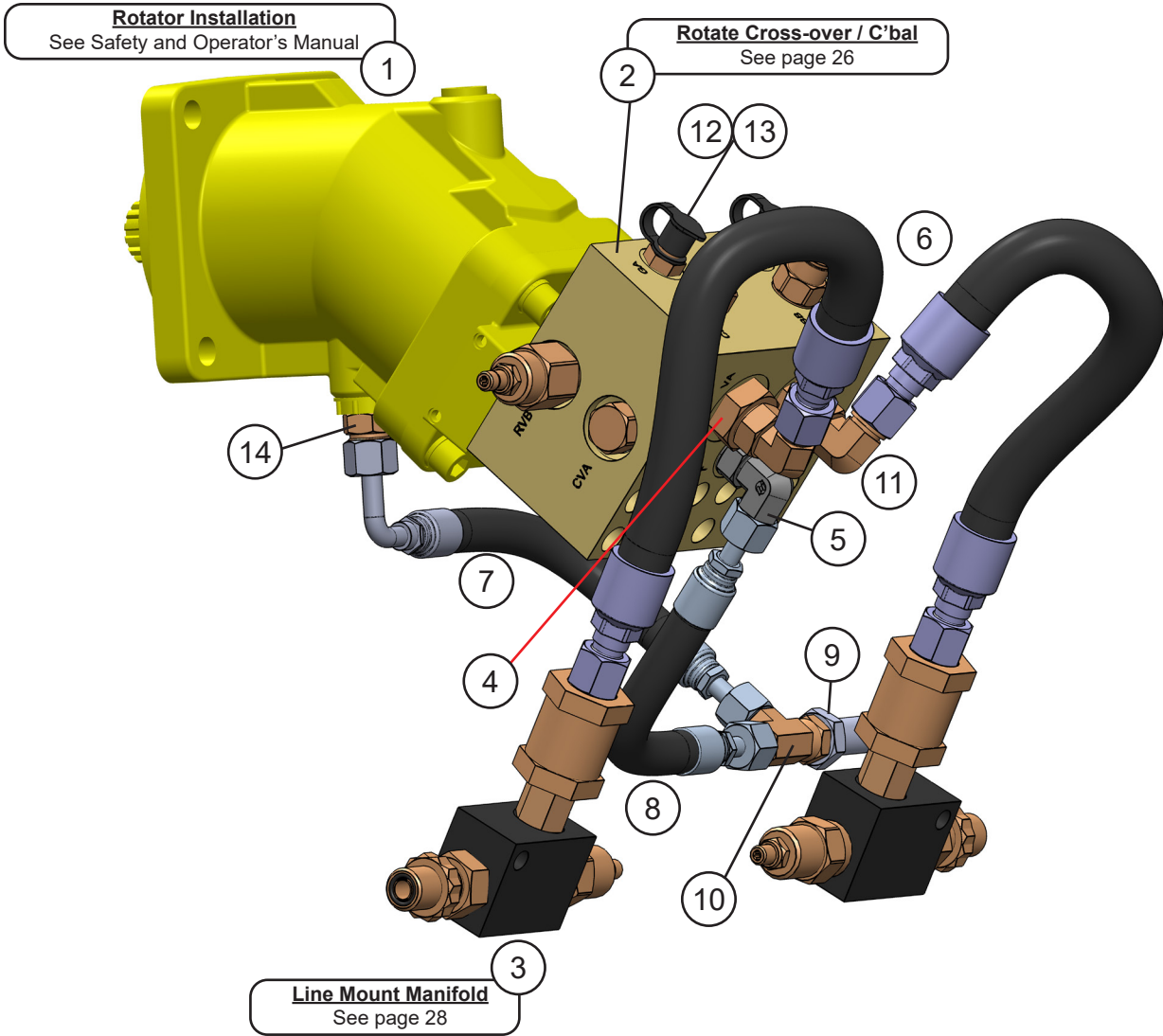
# ASSEMBLY ROTATION



## ASSEMBLY ROTATION

ITEM	QTY	PART NUMBER	DESCRIPTION
1	1	6300429	Bearing Slewing
2	60	F0127130	Hex Head Capscrew M27 x 3 x 130
3	60	F2802700	Hytorc Washer
4	1	6300445	Gear Box
5	9	F0112050	Hex Head Capscrew M12 x 1.75 x 50
6	13	F1900050	Wedge Lock Washer ½
7	1	S0190250	O-Ring
8	1	6340012	Motor
9	2	S0190214	O-Ring
10	4	F0250150	Hex Head Capscrew ½ - 13 x 1½

# ASSEMBLY ROTATION CIRCUIT

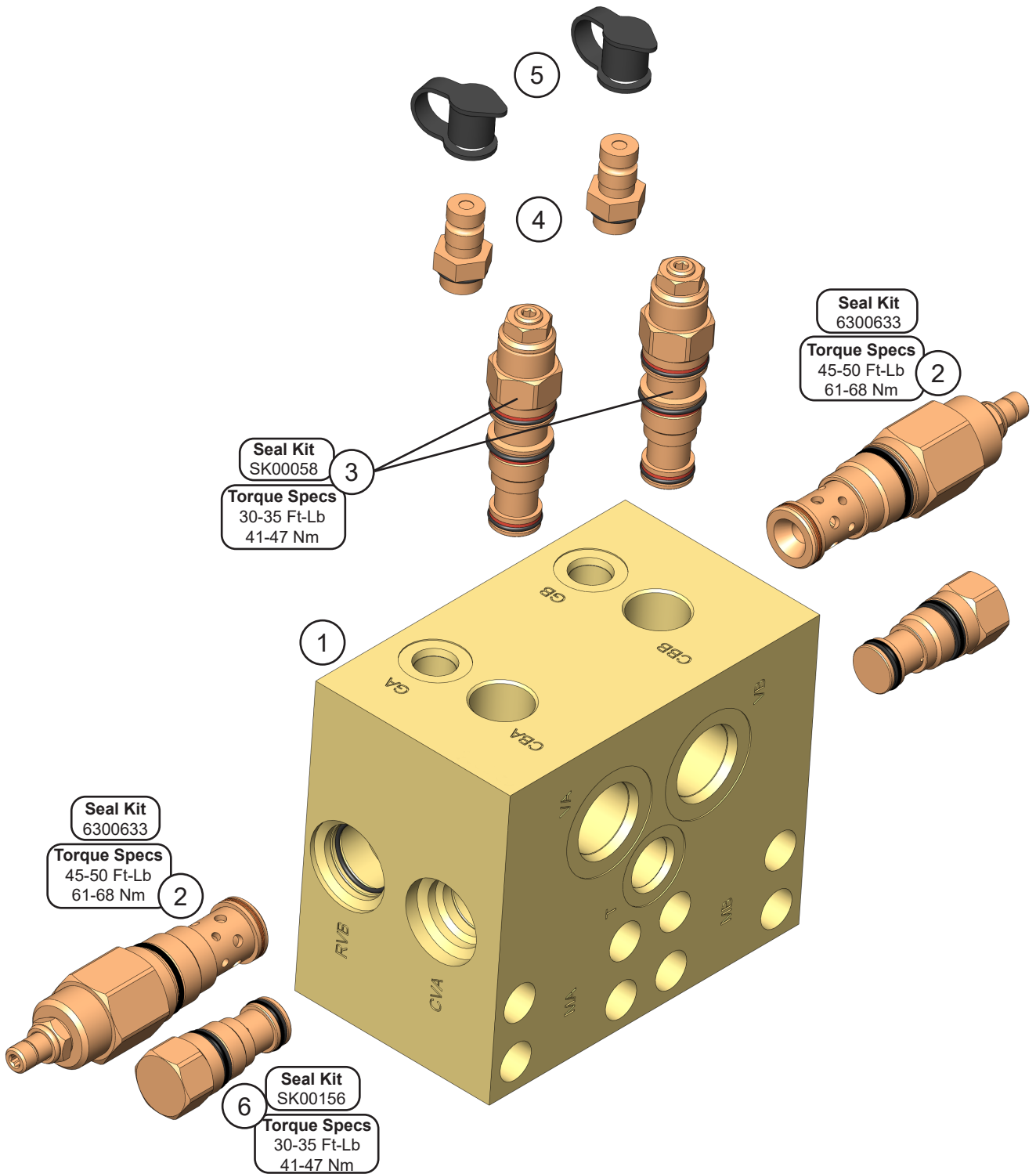




## ASSEMBLY ROTATION CIRCUIT

ITEM	QTY	PART NUMBER	DESCRIPTION
1	1	See page 22	Assembly Rotation
2	1	See page 26	Sub-Assembly Rotate Cross-over/C'bal
3	2	See page 28	Sub-Assembly Line Mount Manifold
4	2	6300512	Adaptor 12MB - 08FB
5	1	6310204	Adaptor 06MO-08MB-90
6	2	1106466	Hose
7	1	1106465	Hose
8	1	1108257	Hose
9	1	6310149	Adaptor Bulkhead 06MO-06MO
10	1	6300407	Adaptor Run Tee 06FOX-06MO-06MO
11	2	6300303	Adaptor 08MB-08MO-90
12	2	6300014	Diagnostic Nipple 06MB
13	2	6310001	Diagnostic Nipple Dust Cap
14	1	6300148	Adaptor 06MO-08MB

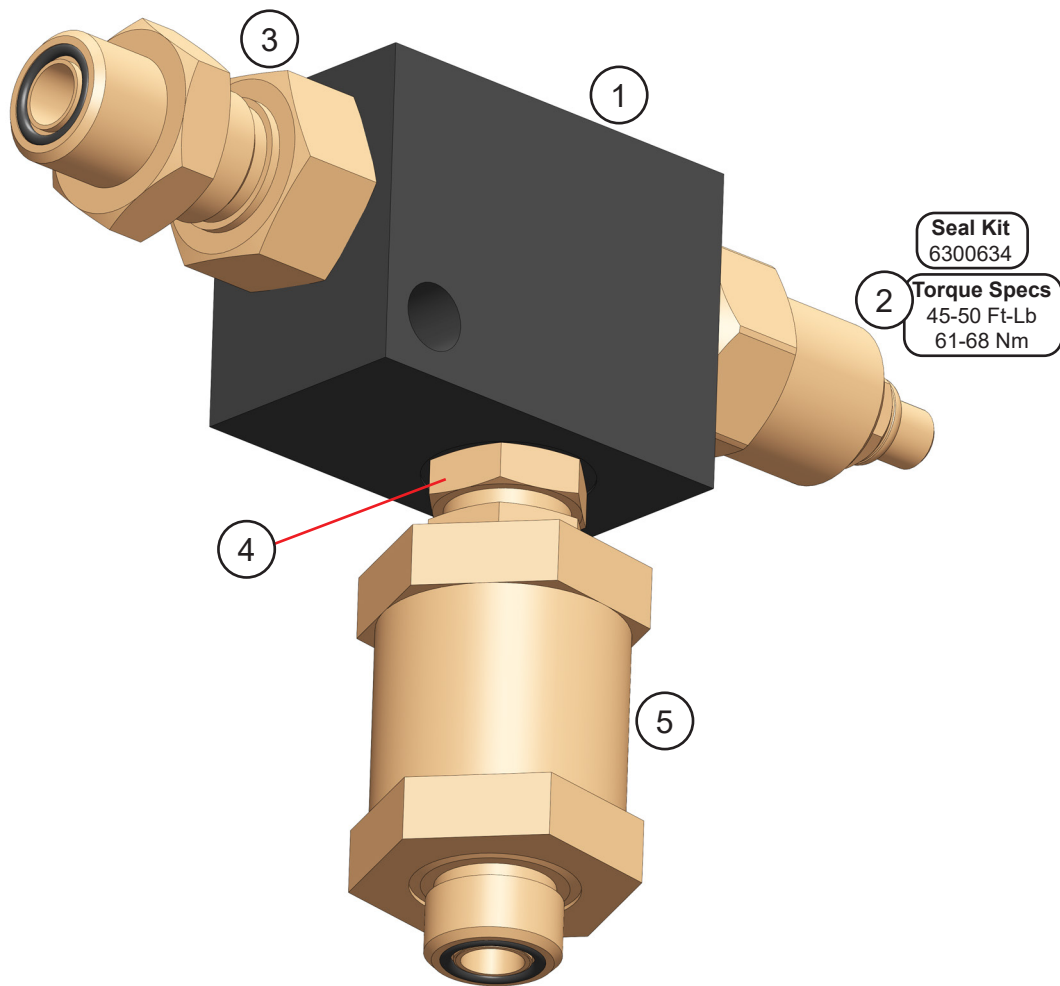
# SUB-ASSEMBLY ROTATE CROSS-OVER / C'BAL



## SUB-ASSEMBLY ROTATE CROSS-OVER / C'BAL

ITEM	QTY	PART NUMBER	DESCRIPTION	
1	1	6380079	Valve Block	
2	2	6300501	Valve Relief	<b>Seal Kit 6300633</b>
3	2	6380035	Valve Counterbalance	<b>Seal Kit SK00058</b>
4	2	6300014	Diagnostic Nipple 06MB	
5	2	6310001	Diagnostic Nipple Dust Cap	
6	2	6360088	Valve Check	<b>Seal Kit SK00156</b>

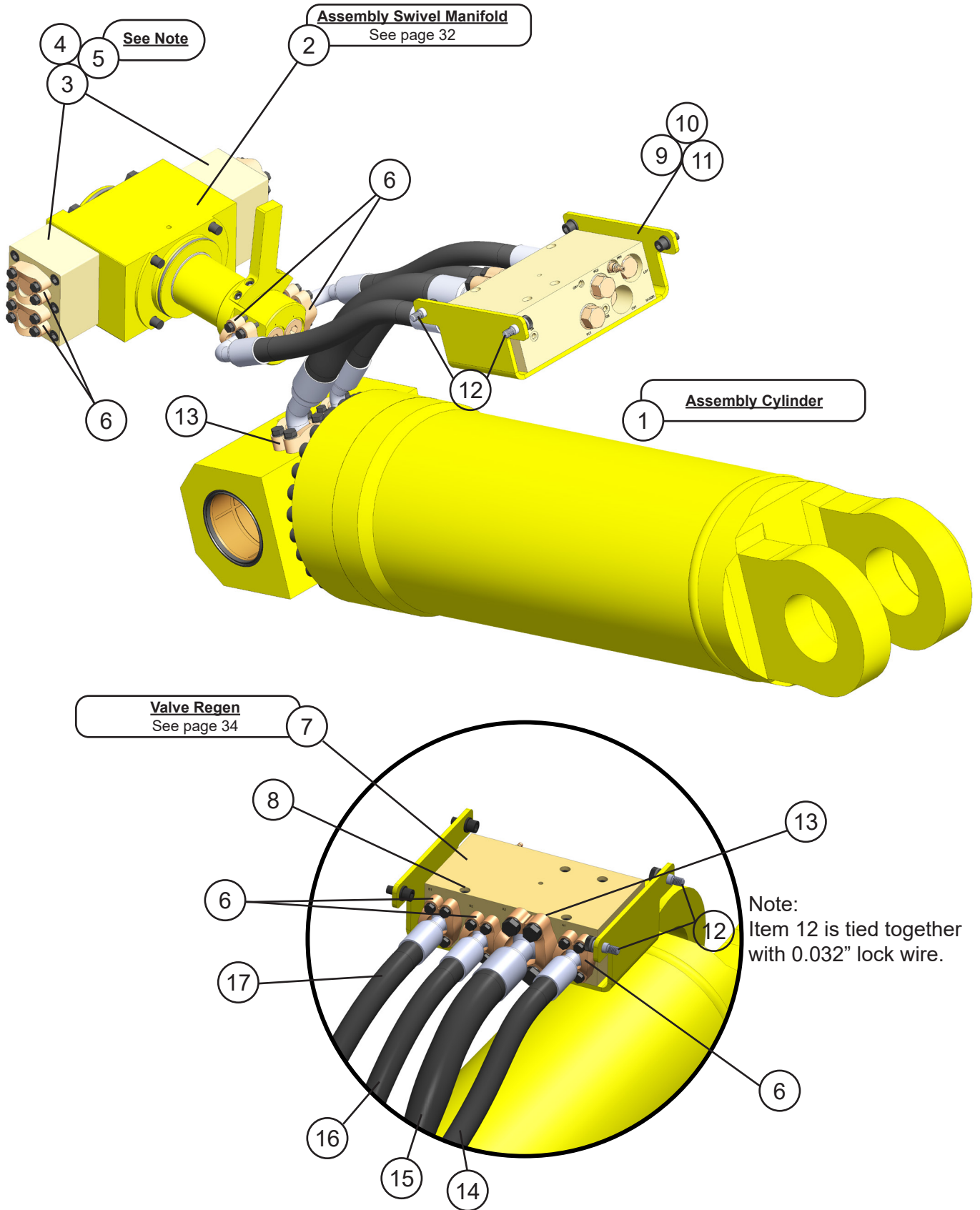
# SUB-ASSEMBLY LINE MOUNT MANIFOLD



## SUB-ASSEMBLY LINE MOUNT MANIFOLD

ITEM	QTY	PART NUMBER	DESCRIPTION	
1	1	6300609	Valve Line Body	
2	1	6300361	Valve Flow Control	<b>Seal Kit 6300634</b>
3	1	6300497	Adaptor Bulkhead 08MB-08MO	
4	1	6310183	Adaptor 08MB-08MB	
5	1	6300364	Filter	

# ASSEMBLY OPEN AND CLOSE CIRCUIT



## ASSEMBLY OPEN AND CLOSE CIRCUIT

ITEM	QTY	PART NUMBER	DESCRIPTION
1	1	*	Assembly Cylinder B14.0 R9.0 S27
2	1	See page 32	Assembly Swivel Manifold
3	2	*	Mach Port Block
4	12	*	Socket Head Capscrew
5	4	*	O-Ring
6	10	<b>1-1/4" Split Flange Kit</b>	
	2	H0262125	Split Flange Half 1.25 Code 62
	4	F0112050	Hex Head Capscrew M12 x 1.75 x 50
	4	F1401200	Lock Washer M12
	1	S0190222	O-Ring
7	1	See page 34	Valve Regen
8	4	F0612120	Socket Head Capscrew M12 x 1.75 x 120
9	1	1105846	Mach Plt Frmd Valve Tray
10	2	F0616035	Socket Head Capscrew M16 x 2 x 35
11	2	F1201630	Flat Washer M16
12	2	F3616020	Socket Head Shoulder Screw M16 x 2 x 20
13	2	<b>1-1/2" Split Flange Kit</b>	
	2	H0262150	Split Flange Half 1.50 Code 62
	4	F0116060	Hex Head Capscrew M16 x 2.00 x 60
	4	F1401628	Lock Washer M16
	1	S0190225	O-Ring
14	1	1106424	Hose
15	1	1106426	Hose
16	1	1106425	Hose
17	1	1106423	Hose

\* Part numbers are Serial Number specific. For replacement parts call the Genesis Parts Department.

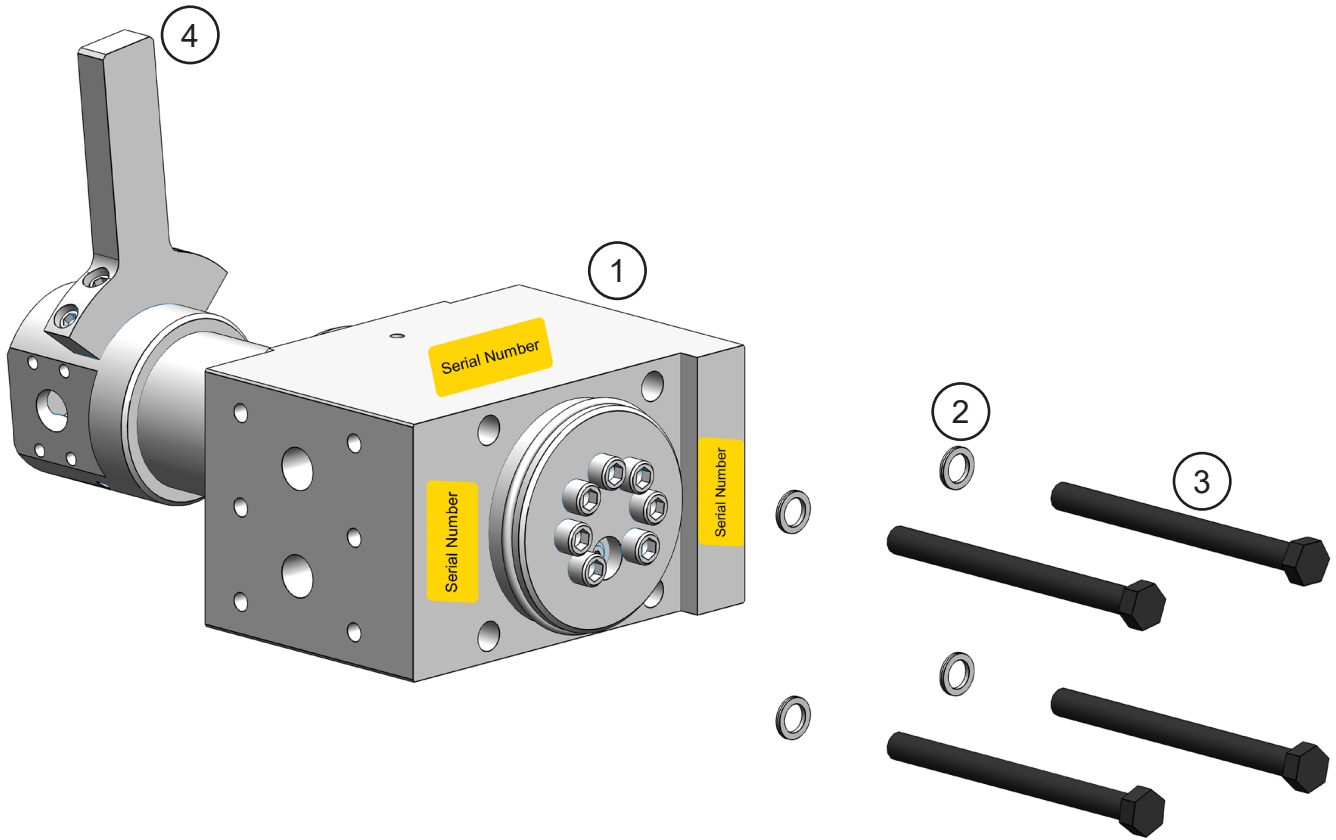
**USA**

715-395-3488

**Europe**

+49 83 31 9 25 98 0

# ASSEMBLY SWIVEL MANIFOLD





## ASSEMBLY SWIVEL MANIFOLD

ITEM	QTY	PART NUMBER	DESCRIPTION
1	1	*	Assembly Swivel Manifold
2	4	F1900075	Wedge Lock Washer ¾
3	4	F0120240	Hex Head Capscrew M20 x 2.5 x 240
4	1	*	Torque Arm Kit

\* Part numbers are Serial Number specific.

For replacement parts and seal kit, call the Genesis Parts Department.

The swivel Serial Number, located in one of the three highlighted areas, is required for **any** parts order.

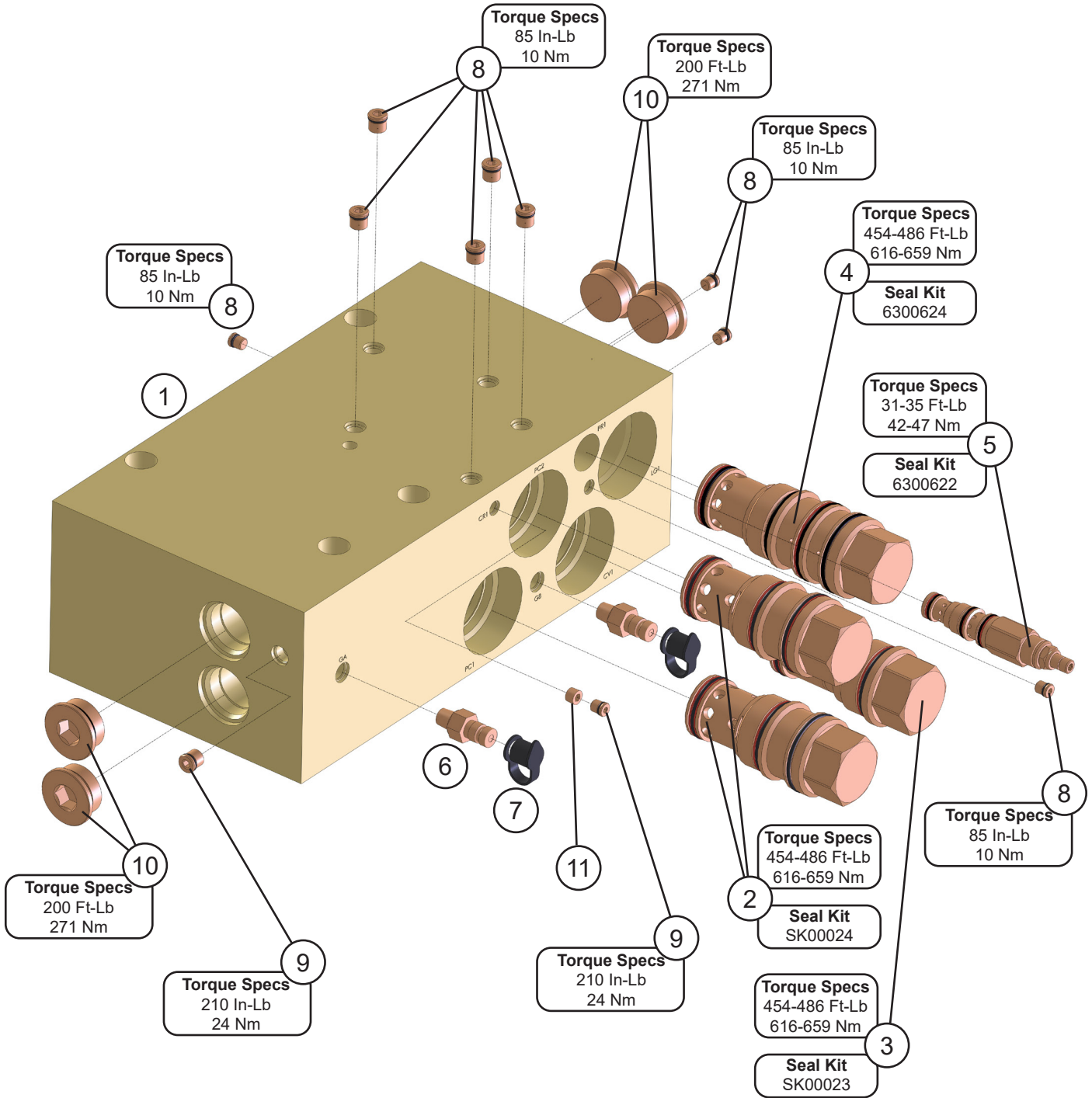
**USA**

715-395-3488

**Europe**

+49 83 31 9 25 98 0

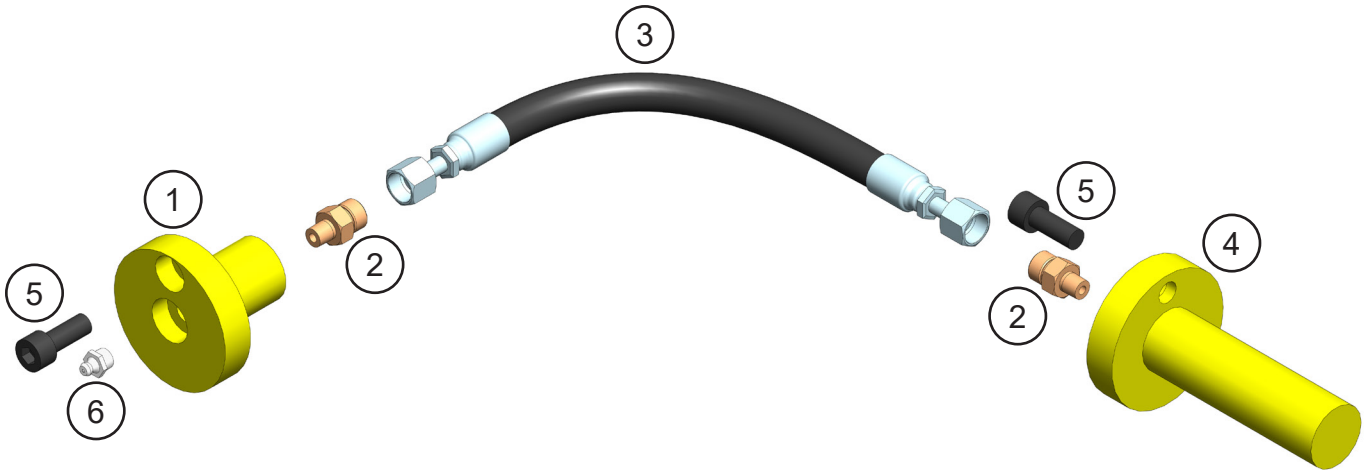
# REGEN BLOCK SUB-ASSEMBLY



## REGEN BLOCK SUB-ASSEMBLY

ITEM	QTY	PART NUMBER	DESCRIPTION
1	1	6360021	Manifold Block <b>Seal Kit SK00129</b>
2	2	6300061	Pilot to Close Check Valve <b>Seal Kit SK00024</b>
3	1	6380011	Check Valve <b>Seal Kit SK00023</b>
4	1	6300623	Logic Element <b>Seal Kit 6300624</b>
5	1	6300625	Pressure Reducing Valve <b>Seal Kit 6300622</b>
6	2	6300088	Diagnostic Nipple
7	2	6310001	Diagnostic Nipple Dust Cap
8	9	6300075	Plug Socket Head 02MB
9	4	6300076	Plug Socket Head 04MB
10	4	6300078	Plug Socket Head 16MB
11	1	6300903	Plug Pipe Orifice 01MP 1/16-27 NPT

# ASSEMBLY SLEWING RING LUBRICATION



## ASSEMBLY SLEWING RING LUBRICATION

ITEM	QTY	PART NUMBER	DESCRIPTION
1	1	5512411	Mach Grease Bulkhead Adaptor
2	2	6300731	Adaptor 02MP-04MO
3	1	1105888	Hose
4	1	5512419	Mach Slewing Ring Grease Adaptor
5	2	F0610025	Socket Head Capscrew M10 x 4.50 x 25
6	1	6200002	Grease Fitting

## BOLT TORQUE SPECIFICATIONS

Reference the product Thread Treatment Diagram on page 39 to determine whether to use wet or dry torque values for specific bolts.

Reference Procedures on page 40 for threadlocker or anti-seize application and bolt and bolt hole cleaning.

Prior to torquing, clean all bolt holes, bolts and nuts to remove dirt, grease and oil, and identify bolt type.

Never re-torque bolts that use Loctite. If a bolt becomes loose or damaged after the initial use when Loctite was applied and the bolt was torqued, the bolt must be replaced.

Never break tightened bolts loose with a torque wrench. Doing so may break the torque wrench or take it out of calibration.

Torque wrenches should be calibrated on an annual basis.

When using a torque multiplier with a torque wrench, incorrect settings will be multiplied by the ratio of the torque wrench.

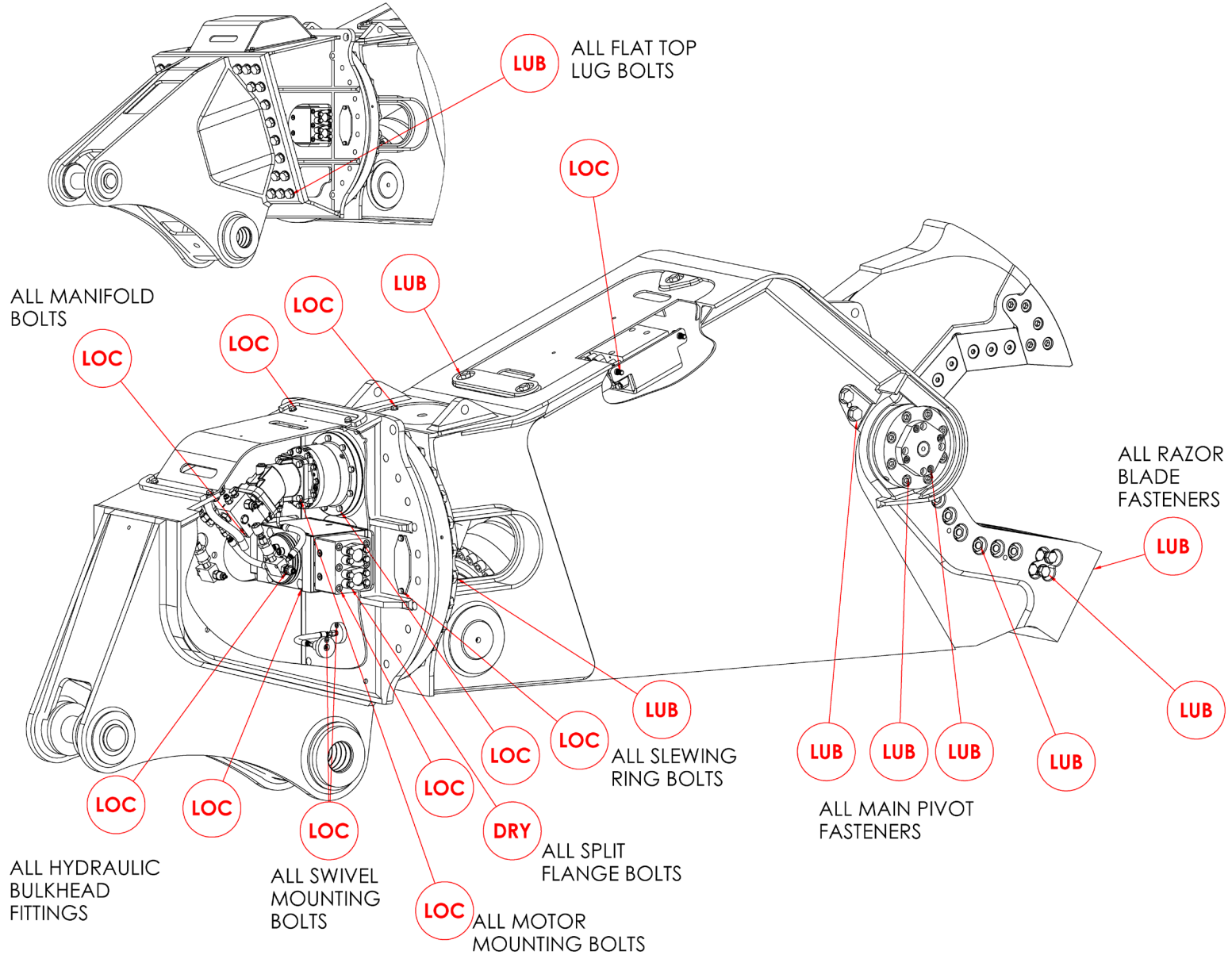
Never use an impact driver on a torque multiplier.

# THREAD TREATMENT DIAGRAM

## Mobile Shears

Use this diagram to determine what thread treatment, if any, is required for each fastener.

For thread treatment application procedures, see page 40. For prescribed torque values, see page 42



# PROCEDURES

Reference the product Thread Treatment Diagram on page 39 to determine which of the following procedures is required.

## Cleaning

To ensure proper performance of thread treatment and accurate torque values, clean and degrease **all internal and external threads** prior to application of threadlocker, anti-seize or primer and before installation of hardware.

- Ensure both internal and external threads are free of dirt or debris.
- Use brake cleaner or similar cleaning solvent on all threads to remove any grease or oil.
- Allow threads to dry.

## NOTICE

Failure to properly clean threads will cause threadlocker, primer, and/or anti-seize to not properly cure!

LOC

## Threadlocker

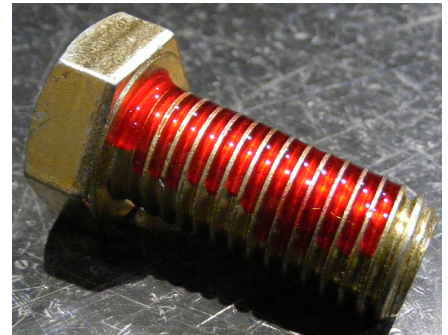
For bolted connections requiring threadlocker, use **Loctite 263** or equivalent applied using the following procedure:

- Clean and degrease all threads.
- For thru holes or nuts, apply threadlocker to bolt threads.
- For blind holes, apply stripe of threadlocker along the length of the hole (applying to the bolt can cause escaping air to remove threadlocker as the bolt is inserted).
- Torque bolt to specified **Wet Torque Value**, see page 42.

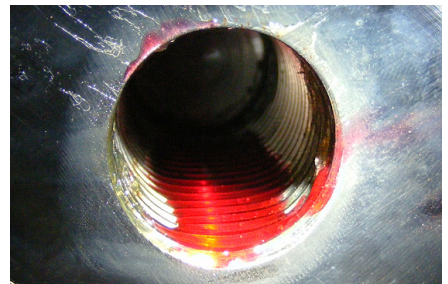
For threaded hydraulic fitting connections, use **Loctite 5452** or equivalent thread sealant in conjunction with **Loctite 7471** primer using the following procedure:

- Clean and degrease all threads.
- Apply Loctite 7471 primer to both external and internal threads and allow to dry.
- Apply threadlocker to 360 degrees of the threads on the male fitting, ensuring adequate coverage.
- Assemble fitting per directions in operator's manual.
- For O-ring boss and flat face O-ring connections, torque fittings to values specified on page 43.

Threadlocker



Blind Hole



Hydraulic Fitting





## PROCEDURES

LUB

### Anti-Seize

For bolted connections requiring anti-seize lubrication, use **Loctite LB8008** or equivalent using the following procedure:

- Clean and degrease all threads.
- Apply thin coat of anti-seize to internal and external threads and under bolt head and/or nut, ensuring complete coverage.
- Torque bolt to specified **Wet Torque Value**, see page 42.

Anti-Seize

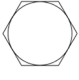
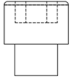


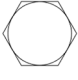
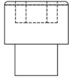
DRY

### No Thread Treatment

- Clean and degrease all threads.
- Torque bolt to specified **Dry Torque Value**, see page 42.

# BOLT TORQUE SPECIFICATIONS

<b>Dry Torque Values</b>					
		<b>Hex/Socket Head</b>		<b>Flat Head</b>	
					
Fastener Grade	Size x Pitch	Nm	Ft-lb	Nm	Ft-lb
CL 10.9	M8 x 1.25	35	26	27	20
	M10 x 1.50	71	53	58	42
	M12 x 1.75	124	92	101	73
	M14 x 1.50	200	148	163	118
	M14 x 2.00	200	148	163	118
	M16 x 2.00	311	230	254	184
	M20 x 1.50	610	450	498	360
	M20 x 2.50	608	449	497	359
	M24 x 3.00	1054	778	861	622
	M27 x 3.00	1543	1138	1260	910
	M30 x 3.50	2095	1545	1712	1236
	M36 x 4.00	3659	2699	2991	2159
8	1/4-20	14	11	11	8
	5/16-18	32	24	26	19
	3/8-16	59	44	48	35
	7/16-14	94	70	77	56
	1/2-13	143	106	116	84
	1/2-20	162	120	133	96
	5/8-11	287	212	234	169
	3/4-10	509	376	415	300
	7/8-9	821	606	670	484
	1.00-8	1232	909	1007	727
	1.00-14	1383	1020	1130	816
	1.25-7	2463	1817	2013	1453
8/L9	1.50-6	4287	3162	3504	2529

<b>Wet Torque Values</b>					
		<b>Hex/Socket Head</b>		<b>Flat Head</b>	
					
Fastener Grade	Size x Pitch	Nm	Ft-lb	Nm	Ft-lb
CL 10.9	M8 x 1.25	29	22	23	17
	M10 x 1.50	61	45	49	36
	M12 x 1.75	105	78	85	62
	M14 x 1.50	150	111	121	88
	M14 x 2.00	170	126	138	100
	M16 x 2.00	265	196	216	156
	M20 x 1.50	456	337	372	269
	M20 x 2.50	517	382	422	305
	M24 x 3.00	894	660	731	528
	M27 x 3.00	1312	968	1072	774
	M30 x 3.50	1779	1312	1453	1049
	M36 x 4.00	3110	2294	2542	1835
8	1/4-20	13	10	11	8
	5/16-18	27	20	22	16
	3/8-16	50	37	40	29
	7/16-14	80	59	65	47
	1/2-13	122	90	99	72
	1/2-20	138	102	112	81
	5/8-11	244	180	199	144
	3/4-10	433	320	354	256
	7/8-9	698	515	570	412
	1.00-8	1046	772	854	617
	1.00-14	1175	867	960	693
	1.25-7	2095	1545	1712	1236
8/L9	1.50-6	3644	2688	2979	2150

# O-RING BOSS & FLAT FACE O-RING TORQUE SPECIFICATIONS

O-Ring Boss Torque Values		
Size Dash	Nm	Ft-lb
-4	22	16
-5	27	20
-6	36	26
-8	83	60
-10	110	80
-12	187	135
-14	249	180
-16	304	220
-20	387	280
-24	498	360

Flat Face O-Ring Torque Values		
Size Dash	Nm	Ft-lb
-4	18	13
-6	30	22
-8	60	44
-10	85	62
-12	121	88
-14	121	88
-16	160	116
-20	213	154
-24	274	198

# BOLT DRIVE SPECIFICATIONS

Thread Size x Pitch	Hex Head	Socket Head	Flat Head
			
<b>Wrench/Drive Size</b>			
M8 x 1.25	13mm	6mm	5mm
M10 x 1.50	17mm	8mm	6mm
M12 x 1.75	19mm	10mm	8mm
M14 x 1.50	22mm	12mm	10mm
M14 x 2.00	22mm	12mm	10mm
M16 x 2.00	24mm	14mm	10mm
M20 x 1.50	30mm	17mm	12mm
M20 x 2.50	30mm	17mm	12mm
M24 x 3.00	36mm	19mm	14mm
M27 x 3.00	41mm	19mm	-
M30 x 3.50	46mm	22mm	-
M36 x 4.00	55mm	27mm	-
1/4-20	7/16"	3/16"	5/32"
5/16-18	1/2"	1/4"	3/16"
3/8-16	9/16"	5/16"	7/32"
7/16-14	5/8"	3/8"	1/4"
1/2-13	3/4"	3/8"	5/16"
1/2-20	3/4"	3/8"	5/16"
5/8-11	15/16"	1/2"	3/8"
3/4-10	1-1/8"	5/8"	1/2"
7/8-9	1-5/16"	3/4"	9/16"
1.00-8	1-1/2"	3/4"	5/8"
1.00-14	1-1/2"	3/4"	5/8"
1.25-7	1-7/8"	7/8"	7/8"
1.50-6	2-1/4"	1"	1"

# WARRANTY

## **Claim Procedure**

Notify the Genesis Service Department of the potential warranty claim prior to making the repair. Digital pictures are very helpful for diagnosing problems and recommending repairs.

Contact the Genesis Service Department before making alterations, changes or repairs to any component that is going to be considered for warranty. Not doing so will void all Genesis warranty consideration.

The Genesis Service Department will issue an authorization number to track the repair costs, outgoing parts, and/or defective parts returning to the factory.

Replacement parts must be ordered using a purchase order number. Shipping is standard ground. Overnight shipping is available by request, and Genesis will not cover the shipping charge.

When the repair is complete, submit an invoice to the Genesis Service Department within 30 days. Include itemized internal labor reporting, parts lists and invoices for outside contractors. Reference the authorization number on all invoices.

When returning parts for warranty consideration, include a copy of any related Genesis paperwork along with any other necessary documentation to ensure proper processing and credit. The Genesis Service Department will provide the necessary forms.

Your account will be credited when the warranty claim is accepted.

## **Blade Warranty**

Standard warranty on blades will only be considered on the first edge, and wear on the edge must be 1/8" radius or less. Genesis does not warranty cutting blades that are cracked or broken from top to bottom (perpendicular to the long edge of the blade). Genesis also does not cover fasteners, the labor to replace wear components or collateral damage, such as blade seats, from broken blades, the piercing blade tang or adjustment plates.

**Please direct any questions to the Genesis Service Department: 715-395-5252**

# PARTS ORDER POLICY AND PROCEDURE

## **Parts Orders Should Include**

- Purchase order number
- Model and serial number of attachment
- Part number and quantity needed
- Shipping and billing address
- Method of shipment or required delivery date

## **Placing Orders**

Orders may be placed by phone or e-mail. To e-mail an order, use the form on the following page or your purchase order form. Contact information is located at the front of this manual.

## **Part Numbers**

Part numbers are listed in a separate Parts Manual or, if included, the Parts section of this manual. Contact the Genesis Parts Department with questions regarding part numbers, availability and pricing.

## **Shipping**

All orders will be shipped best way surface unless an alternate shipping method is requested. Shipping charges are not included in the purchase price of parts.

## **Invoices**

All invoices are due upon receipt. Any accounts with invoices open beyond 60 days are subject to review and may be placed on C.O.D. status without further notice.

## **Returns**

Many unused Genesis parts may be returned with proper documentation. Return shipping is the responsibility of the purchaser. Credit will be issued upon return, less a 25% restocking fee. Documentation is required for credit of returned parts. Contact the Genesis Service Department at 715-395-5252 for an RGA (Return Goods Authorization) number and form. An RGA must accompany every return. Items shipped without an RGA may be returned to sender.

## **Warranty Returns**

All parts returned to Genesis for warranty consideration must be returned with a completed RGA (Return Goods Authorization) provided by the Genesis Service Department. The form needs to be completed in its entirety, including any additional information requested by the Service Department. Return shipping is the responsibility of the sender and will be credited upon claim approval. A determination to accept or deny the claim will be made based upon the information available to Genesis. Warranty on purchased parts other than wear components is 6 months. Genesis does not cover labor costs to replace purchased parts replaced under warranty. There is no warranty period on wear parts or components.



# PARTS ORDER FORM

Customer: \_\_\_\_\_ Date: \_\_\_\_\_

Phone: \_\_\_\_\_ Contact: \_\_\_\_\_

Shipping Address: \_\_\_\_\_ E-mail: \_\_\_\_\_

\_\_\_\_\_ Billing Address: \_\_\_\_\_

\_\_\_\_\_

Purchase Order: \_\_\_\_\_ Shipping Method: \_\_\_\_\_

Model: \_\_\_\_\_ Serial Number: \_\_\_\_\_

Quantity	Part Number	Description	Price

E-mail to the Genesis Parts Department: [genesisparts@genesisattachments.com](mailto:genesisparts@genesisattachments.com)  
 For assistance, call 715-395-5252

# INDEX

1-1/2" Split Flange Kit	31	6300407 Adaptor Run Tee 06FOX-06MO-06MO	25
1-1/4" Split Flange Kit	31	6300429 Bearing Slewing	23
1101955 Mach Blade Razor	11	6300445 Gear Box	23
1102442 Mach Thrust Washer	7,9	6300497 Adaptor Bulkhead 08MB-08MO	29
1102444 Mach End Cap	7,9	6300501 Valve Relief	27
1102446 Mach Tie Rod Nut	7,9	6300512 Adaptor 12MB - 08FB	25
1102448 Shim Set Thrust Washer	7,9	6300609 Valve Line Body	29
1102487 Mach Pin Keeper (Clevis)	17	6300623 Logic Element	35
1103125 Mach Bearing	7	6300625 Pressure Reducing Valve	35
1103126 Mach Bearing	9	6300731 Adaptor 02MP-04MO	37
1103172 Mach Pin Keeper Rear	17	6300903 Plug Pipe Orifice 01MP 1/16-27 NPT	35
1103536 Mach Blade	11,13	6301112 O-Ring	19
1103609 Mach Bolt Socket Head Capscrew 1 - 8 x 4½	13	6310001 Diagnostic Nipple Dust Cap	25,27,35
1104649 Mach Adjust Plate Primary	11	6310149 Adaptor Bulkhead 06MO-06MO	25
1104650 Mach Adjust Plate Secondary	11	6310183 Adaptor 08MB-08MB	29
1104652 Shim Set, Blade	11	6310204 Adaptor 06MO-08MB-90	25
1105846 Mach Plt Frmd Valve Tray	31	6340012 Motor	23
1105854 Mach Flange Shoulder Bolt	19	6360021 Manifold Block	35
1105878 Wtmg Sub Head Cover	21	6360088 Valve Check	27
1105883 Plt Bolt Cover	21	6380011 Check Valve	35
1105888 Hose	37	6380035 Valve Counterbalance	27
1105939 Mach Blade Tip Right	13	6380079 Valve Block	27
1105940 Mach Blade Tip Left	13	Assembly Access Covers	5,18,19
1105941 Mach Blade Guide	11	Assembly Auto Guide	5,14,15
1105985 Wldt Front Cyl Pin	17	Assembly Cylinder B14.0 R9.0 S27	31
1106411 Mach Tie Rod	7	Assembly Cylinder Pins	5,16,17
1106413 Mach Guide Blade Adjust Plate	11	Assembly Lower Blades	5,10,11
1106414 Mach Guide Blade Adjust Plate	11	Assembly Open and Close Circuit	5,30,31
1106422 Mach Rear Cyl Pin	17	Assembly Pivot Group - Left Side	5,8,9
1106423 Hose	31	Assembly Pivot Group - Right Side	5,6,7
1106424 Hose	31	Assembly Rotation	5,22,23,25
1106425 Hose	31	Assembly Rotation Circuit	5,24,25
1106426 Hose	31	Assembly Slewing Ring Lubrication	5,36,37
1106465 Hose	25	Assembly Swivel Manifold	5,31,32,33
1106466 Hose	25	Assembly Upper Blades	5,12,13
1106477 Shim Set, Guide Blade	11	Assembly Upper Head	5,20,21
1107532 Wldt Cover	19	Bolt Drive Specifications	44
1107838 Plt Rear Cover	19	Bolt Torque Specifications	38,42
1108257 Hose	25	Contact Information	2,50
3100061 Mach Bearing Upper Cylinder Connection	17	F0110030 Hex Head Capscrew M10 x 1.50 x 30	21
5500752 Plt Strap	21	F0112020 Hex Head Capscrew M12 x 1.75 x 20	19
5512411 Mach Grease Bulkhead Adaptor	37	F0112030 Hex Head Capscrew M12 x 1.75 x 30	21
5512419 Mach Slewing Ring Grease Adaptor	37	F0112050 Hex Head Capscrew M12 x 1.75 x 50	23,31
6200002 Grease Fitting 7,9,15,17,21,37		F0116060 Hex Head Capscrew M16 x 2.00 x 60	31
6300014 Diagnostic Nipple 06MB	25,27	F0120240 Hex Head Capscrew M20 x 2.5 x 240	33
6300061 Pilot to Close Check Valve	35	F0127130 Hex Head Capscrew M27 x 3 x 130	23
6300075 Plug Socket Head 02MB	35	F0210500 Hex Head Capscrew 1 - 8 x 5	15
6300076 Plug Socket Head 04MB	35	F0250150 Hex Head Capscrew ½ - 13 x 1½	23
6300078 Plug Socket Head 16MB	35	F0288200 Hex Head Capscrew ⅞ - 9 x 2	11
6300088 Diagnostic Nipple	35	F0288350 Hex Head Capscrew ⅞ - 9 x 3½	11
6300148 Adaptor 06MO-08MB	25	F0288450 Hex Head Capscrew ⅞ - 9 x 4½	11
6300303 Adaptor 08MB-08MO-90	25	F0412030 Flat Head Capscrew M12 x 1.75 x 30	7,9
6300361 Valve Flow Control	29	F0588450 Flat Head Capscrew ⅞ - 9 x 4½	11
6300364 Filter	29	F0588500 Flat Head Capscrew ⅞ - 9 x 5	13
		F0588700 Flat Head Capscrew ⅞ - 9 x 7	13



# INDEX

F0610025 Socket Head Capscrew M10 x 4.50 x 25	37	Socket Head Capscrew	31
F0612040 Socket Head Capscrew M12 x 1.75 x 40	7,9	Sub-Assembly Line Mount Manifold	5,25,28,29
F0612045 Socket Head Capscrew M12 x 1.75 x 45	7,9	Sub-Assembly Regen Block	5
F0612120 Socket Head Capscrew M12 x 1.75 x 120	31	Sub-Assembly Rotate Cross-over / C'bal	5,26,27
F0616035 Socket Head Capscrew M16 x 2 x 35	31	Sub-Assembly Rotate Cross-over/C'bal	25
F0620100 Socket Head Capscrew M20 x 2.50 x 100	7,9	Table of Contents	3
F0620130 Socket Head Capscrew M20 x 2.50 x 130	17	Thread Treatment Diagram	39
F0620200 Socket Head Capscrew M20 x 2.50 x 200	17	Torque Arm Kit	33
F0908809 Hex Nut 7/8 - 9	11,13	Valve Regen	31
F1020250 Nylock Hex Nut M20 x 2.50	17	Warranty	45
F1201021 Flat Washer M10	21	Wldt Pin	21
F1201224 Flat Washer M12	7,9,19,21	Wtmg Lug Upper Head	5,21
F1201630 Flat Washer M16	31	Wtmg Stick	5
F1202037 Flat Washer M20	7,9	Wtmg Sub Head	21
F1300088 Flat Washer Narrow 7/8	11,13	Wtmg Upper	5
F1300100 Flat Washer Narrow 1"	15		
F1401200 Lock Washer M12	21,31		
F1401628 Lock Washer M16	31		
F1900050 Wedge Lock Washer 1/2	23		
F1900075 Wedge Lock Washer 3/4	33		
F2588088 Set Screw Socket Head 7/8 - 9 x 7/8	11		
F2802700 Hytorc Washer	23		
F3616020 Socket Head Shoulder Screw M16 x 2 x 20	31		
General Arrangement	4,5		
H0262125 Split Flange Half 1.25 Code 62	31		
H0262150 Split Flange Half 1.50 Code 62	31		
Mach Auto Guide	15		
Mach Bearing	21		
Mach Boom Bearing	21		
Mach Main Shaft	9		
Mach Port Block	31		
Mach Spacer Sleeve	21		
O-Ring	31		
O-Ring Boss & Flat Face O-Ring Torque Specifications	43		
Parts Order Form	47		
Parts Order Policy and Procedure	46		
Procedures	40,41		
Regen Block Sub-Assembly	34,35		
S0190214 O-Ring	23		
S0190222 O-Ring	31		
S0190225 O-Ring	31		
S0190244 O-Ring	7,9		
S0190250 O-Ring	23		
Seal Kit 6300622	34,35		
Seal Kit 6300624	34,35		
Seal Kit 6300633	26,27		
Seal Kit 6300634	28,29		
Seal Kit SK00023	34,35		
Seal Kit SK00024	34,35		
Seal Kit SK00058	26,27		
Seal Kit SK00129	35		
Seal Kit SK00156	26,27		



**GENESIS®**

The Promise of Performance.

## CONTACT INFORMATION

### Genesis Attachments

1000 Genesis Drive  
Superior, WI 54880 USA

Toll Free: 888-SHEAR-IT  
(888-743-2748)

Phone: 715.395.5252

E-mail:  
info@genesisattachments.com

### Europe/Africa/Middle East Genesis GmbH

Teramostrasse 23  
87700 Memmingen, Germany

Phone: +49 83 31 9 25 98 0

Fax: +49 83 31 9 25 98 80

genesis-europe.com

E-mail:  
info@genesis-europe.com

### Asia Pacific Representative Office

24 Upper Serangoon View #12-28  
Singapore 534205

Phone: +65 9673 9730

E-mail:  
tchoo@genesisattachments.com

### Central America & Colombia

Cra 13A #89-38 / Ofi 613  
Bogota, Colombia

Phone: +57 1 610 8160 / 795 8747

E-mail:  
contact@themsagroup.com

View and download all manuals: [genesisattachments.com/manuals](http://genesisattachments.com/manuals)

Patents: [genesisattachments.com/products/patents](http://genesisattachments.com/products/patents)

Rev. X- 10-11-24