

## Versi Pro 07 (GVP 07)

### PARTS MANUAL



## CONTACT INFORMATION

### Genesis Attachments

1000 Genesis Drive  
Superior, WI 54880 USA

Toll Free: 888-SHEAR-IT  
(888-743-2748)

Phone: 715.395.5252

E-mail:  
info@genesisattachments.com

### Europe/Africa/Middle East Genesis GmbH

Teramostrasse 23  
87700 Memmingen, Germany

Phone: +49 83 31 9 25 98 0  
Fax: +49 83 31 9 25 98 80  
genesis-europe.com

E-mail:  
info@genesis-europe.com

### Asia Pacific Representative Office

24 Upper Serangoon View #12-28  
Singapore 534205

Phone: +65 9673 9730

E-mail:  
tchoo@genesisattachments.com

### Central America & Colombia

Cra 13A #89-38 / Ofi 613  
Bogota, Colombia

Phone: +57 1 610 8160 / 795 8747

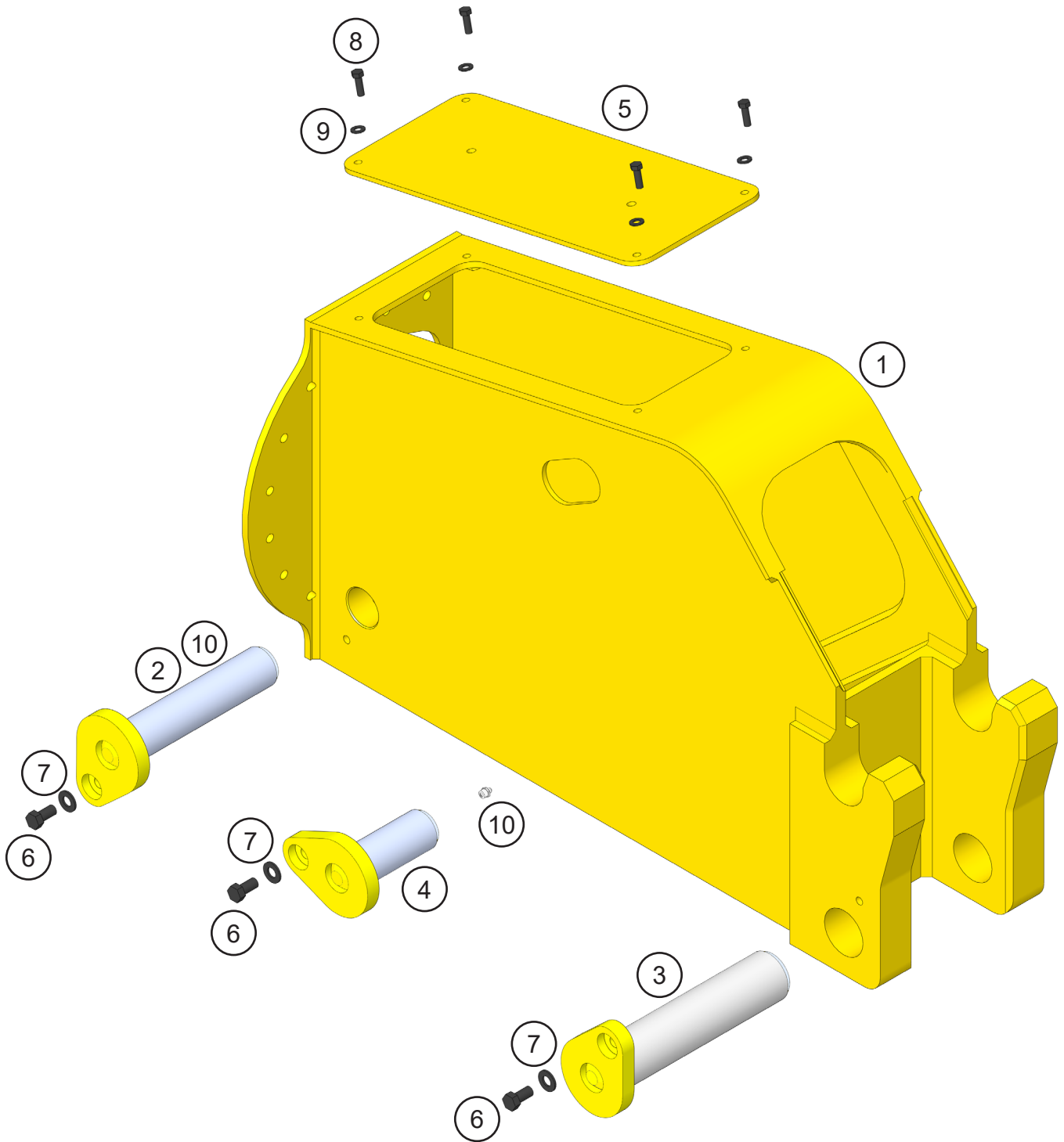
E-mail:  
contact@themsagroup.com

View and download all manuals: [genesisattachments.com/manuals](http://genesisattachments.com/manuals)  
Patents: [genesisattachments.com/products/patents](http://genesisattachments.com/products/patents)

# TABLE OF CONTENTS

<b>CONTACT INFORMATION</b>	<b>2</b>
<b>ASSEMBLY STICK - 3501022</b>	<b>4</b>
<b>ASSEMBLY SHEAR - 3500747</b>	<b>6</b>
<b>ASSEMBLY GRAPPLE - 3500749</b>	<b>8</b>
<b>ASSEMBLY CRACKER - 3500748</b>	<b>10</b>
<b>ASSEMBLY WIRE CUTTER - 3000701</b>	<b>12</b>
<b>ASSEMBLY UPPER HEAD - 3500700</b>	<b>14</b>
<b>SUB-ASSEMBLY SWIVEL MANIFOLD</b>	<b>16</b>
<b>SUB-ASSEMBLY VALVE ROTATE CROSS-OVER / C'BAL</b>	<b>18</b>
<b>SUB-ASSEMBLY VALVE REGEN WITH OVER-RIDE</b>	<b>20</b>
<b>FULL HYDRAULIC - NO REGEN - ROTATE CIRCUIT</b>	<b>22</b>
<b>FULL HYDRAULIC - NO REGEN - OPEN &amp; CLOSE CIRCUIT</b>	<b>24</b>
<b>FULL HYDRAULIC - ROTATE CIRCUIT</b>	<b>26</b>
<b>FULL HYDRAULIC - OPEN &amp; CLOSE CIRCUIT</b>	<b>28</b>
<b>FULL HYDRAULIC - REGEN CIRCUIT</b>	<b>30</b>
<b>ELECTRIC OVER HYDRAULIC - ROTATE CIRCUIT</b>	<b>32</b>
<b>ELECTRIC OVER HYDRAULIC - OPEN &amp; CLOSE CIRCUIT</b>	<b>34</b>
<b>ELECTRIC OVER HYDRAULIC - REGEN OVER-RIDE CIRCUIT</b>	<b>36</b>
<b>ELECTRIC OVER HYDRAULIC - PRESSURE &amp; RETURN CIRCUIT</b>	<b>38</b>
<b>ELECTRIC OVER HYDRAULIC - VALVE CONTROL CYLINDER/MOTOR</b>	<b>40</b>
<b>ELECTRIC OVER HYDRAULIC - CONTROL HARNESS 6830024</b>	<b>42</b>
<b>EXCAVATOR AND SKID STEER MOUNTING LUGS</b>	<b>44</b>
<b>BOLT TORQUE SPECIFICATIONS</b>	<b>46</b>
<b>THREAD TREATMENT DIAGRAM</b>	<b>47</b>
Mobile Shears	47
Processors	48
<b>PROCEDURES</b>	<b>49</b>
Cleaning	49
Threadlocker	49
Anti-Seize	50
No Thread Treatment	50
Dry Torque Values	51
Wet Torque Values	51
<b>O-RING BOSS &amp; FLAT FACE O-RING TORQUE SPECIFICATIONS</b>	<b>52</b>
<b>BOLT DRIVE SPECIFICATIONS</b>	<b>53</b>
<b>WARRANTY</b>	<b>54</b>
Claim Procedure	54
Blade Warranty	54
<b>PARTS ORDER POLICY AND PROCEDURE</b>	<b>55</b>
Parts Orders Should Include	55
Placing Orders	55
Part Numbers	55
Shipping	55
Invoices	55
Returns	55
Warranty Returns	55
<b>PARTS ORDER FORM</b>	<b>56</b>
<b>INDEX</b>	<b>57</b>
<b>CONTACT INFORMATION</b>	<b>59</b>

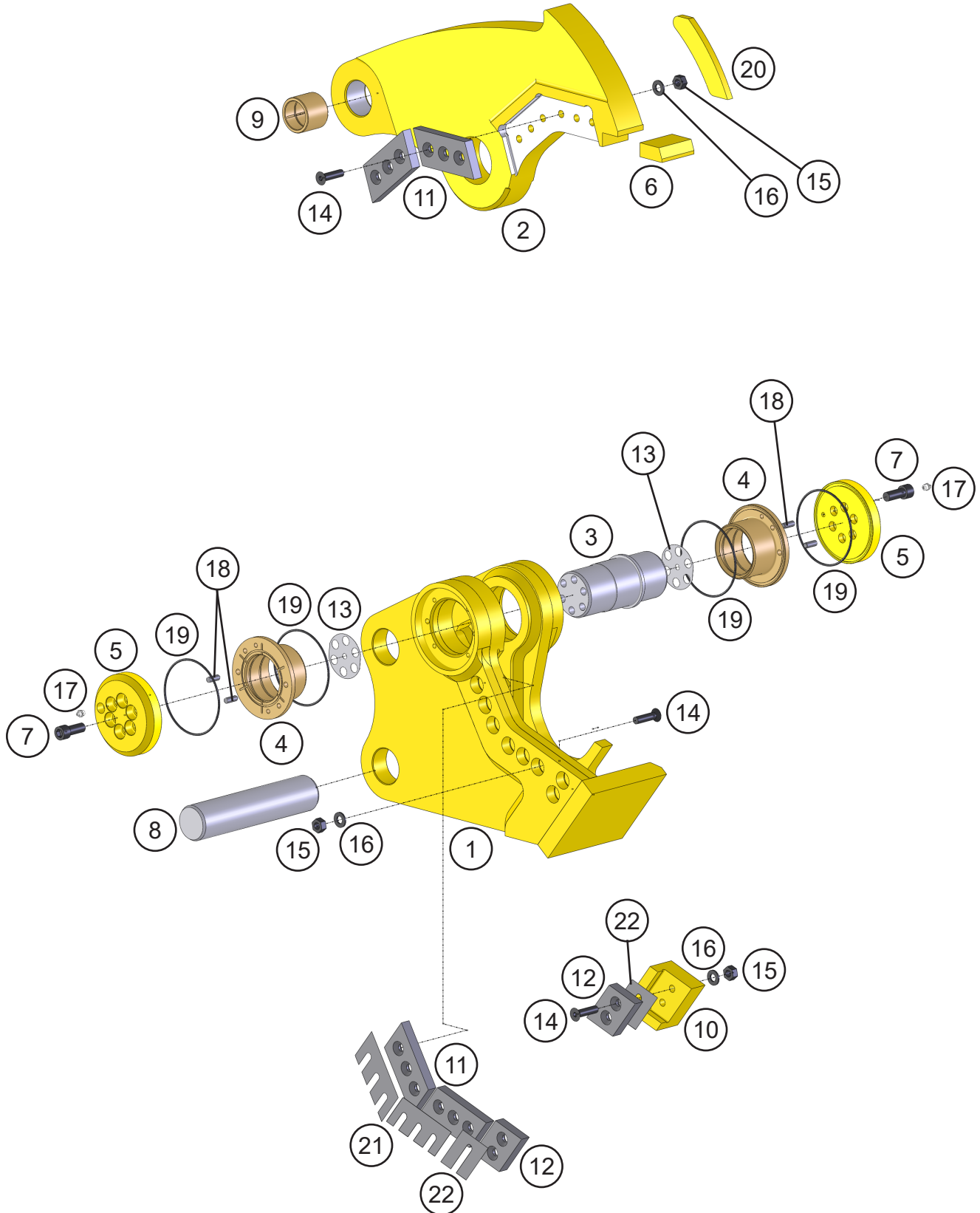
# ASSEMBLY STICK - 3501022



## ASSEMBLY STICK - 3501022

ITEM	QTY	PART NUMBER	DESCRIPTION
1	1	3501017	Mach Stick GVP 07 2.25" Hook
2	1	3500339	Wldt Pin ST G7
3	1	3501023	Wldt Pin G7 T35000339
4	1	3500352	Wldt Pin SH G7 T3500339
5	1	3500232	Plt Cover GVP 07
6	3	F0250100	Hex Head Capscrew 1/2 - 13 x 1
7	3	F1300050	Flat Washer Narrow 1/2
8	4	F0231100	Hex Head Capscrew 5/16 - 18 x 1
9	4	F1300032	Flat Washer Narrow 5/16
10	2	6200002	Grease Fitting
	1	6400201	Decal Kit GVP 07

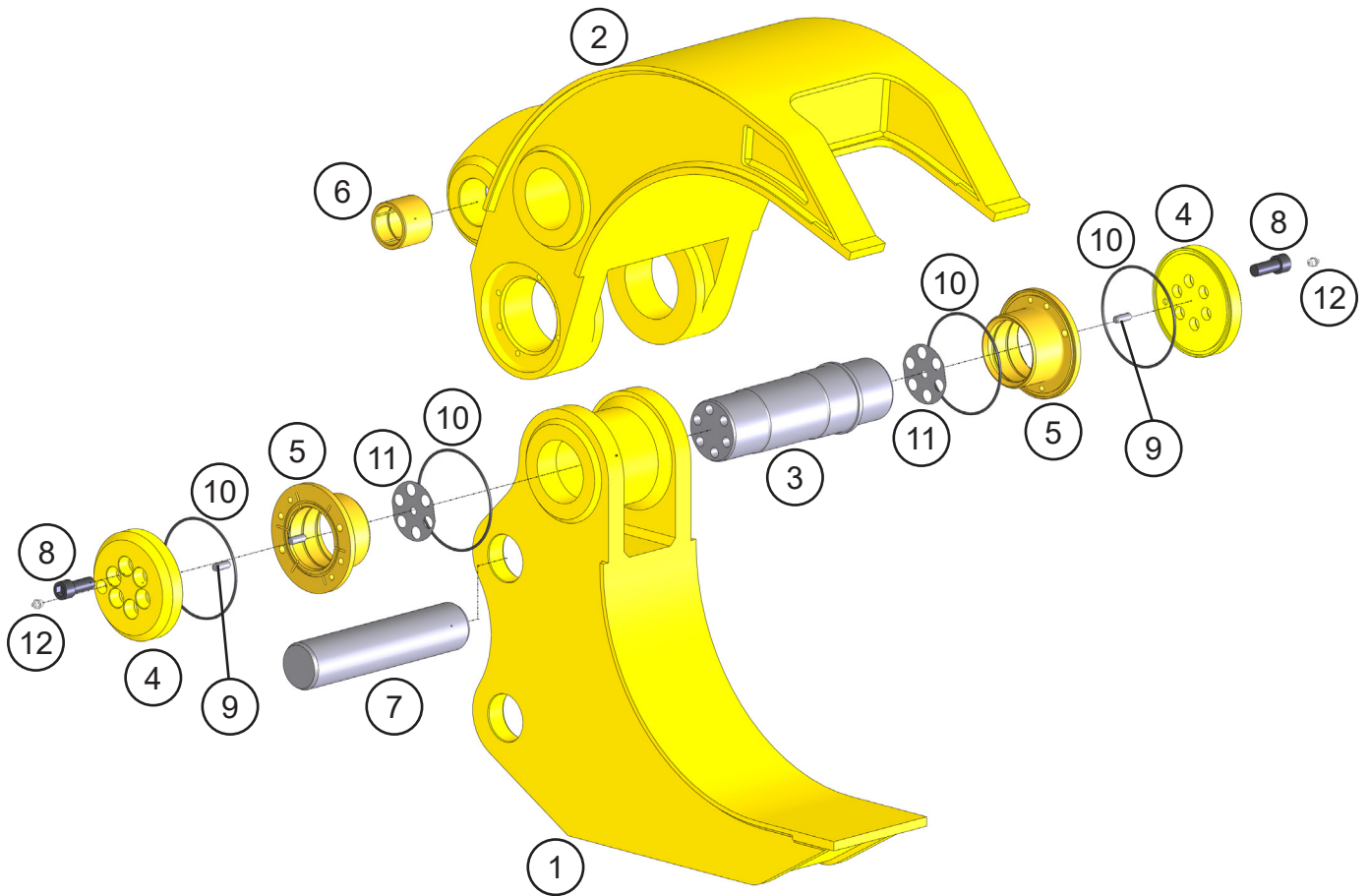
# ASSEMBLY SHEAR - 3500747



## ASSEMBLY SHEAR - 3500747

ITEM	QTY	PART NUMBER	DESCRIPTION
1	1	3500750	Wtmg Lower Shear
2	1	3500759	Mach Upper Shear
3	1	3500761	Mach Main Shaft
4	2	3500764	Mach Bearing RH/LH Main
5	2	3500762	Mach End Cap
6	1	3500765	Plate Piercing Tip
7	12	F0616040	Socket Head Capscrew M16 x 2 x 40
8	1	3501019	Mach Pin (for 2.50 Hook)
9	1	3500459	Mach Bushing
10	1	3500763	Mach Guide Blade Pocket
11	4	3500253	Mach Blade
12	2	3500766	Mach Blade Guide
13	2	3500471	Shim Set
14	16	F0550200	Flat Head Capscrew ½ - 13 x 2
15	16	F0905013	Hex Nut ½ - 13
16	16	F1300050	Flat Washer Narrow ½
17	2	6200002	Grease Fitting
18	4	6200066	Dowel Pin
19	4	S0170251	O-Ring
20	1	3500844	Plate Wear Upper
21	2	1104963	Shim Set Blade 3 Hole
22	2	1104964	Shim Set Blade 2 Hole

# ASSEMBLY GRAPPLE - 3500749

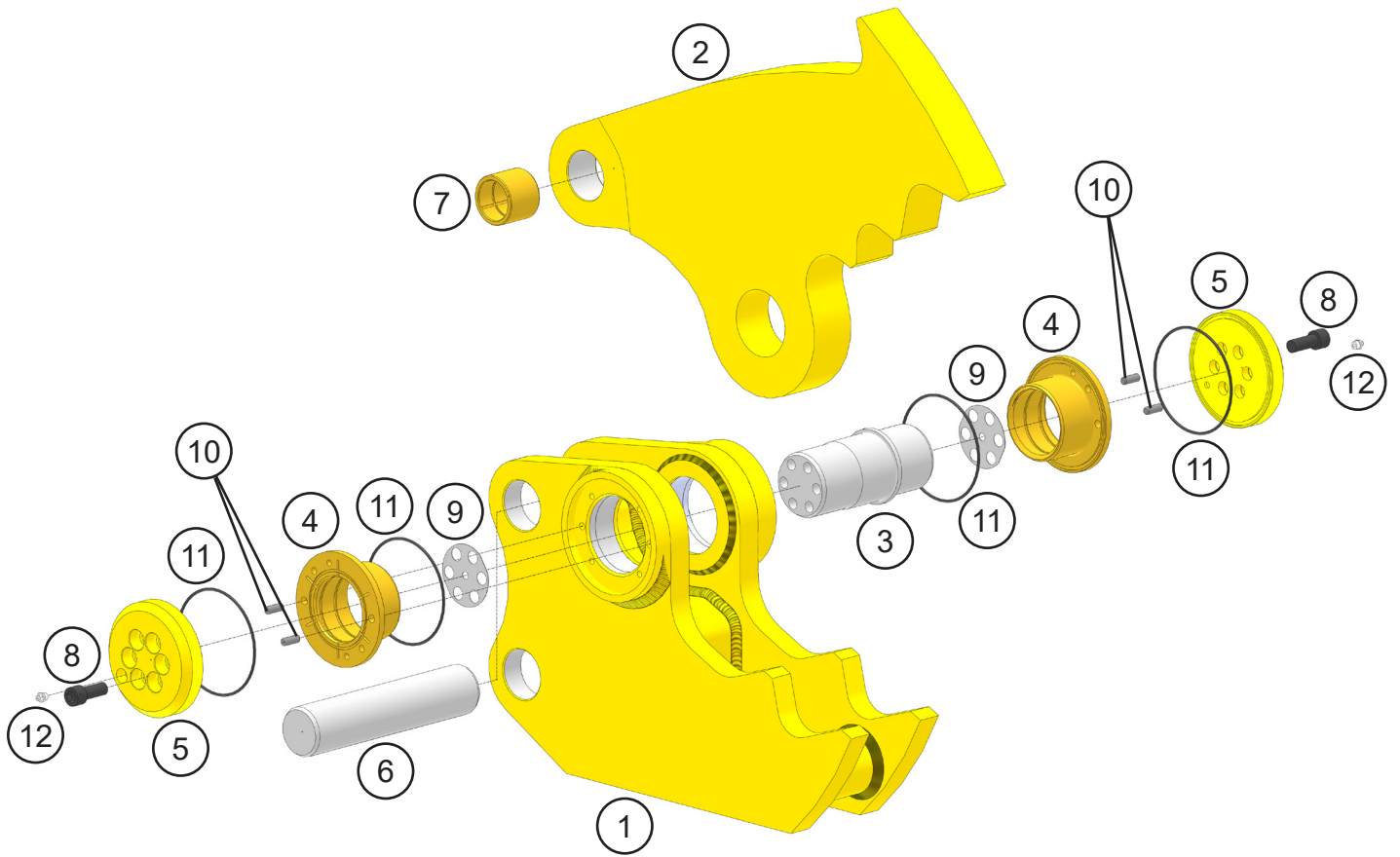




## ASSEMBLY GRAPPLE - 3500749

ITEM	QTY	PART NUMBER	DESCRIPTION
1	1	3500772	Wtmg Upper
2	1	3500777	Wtmg Lower
3	1	3500778	Mach Main Shaft - Grapple Pivot
4	2	3500762	Mach End Cap
5	2	3500764	Mach Bearing RH/LH Main
6	1	3500459	Mach Bushing
7	1	3501019	Mach Pin for 2.50 Hook
8	12	F0616040	Socket Head Capscrew M16 x 2 x 40
9	4	6200066	Dowel Pin
10	4	S0170251	O-Ring
11	2	3500471	Shim Set
12	2	6200002	Grease Fitting

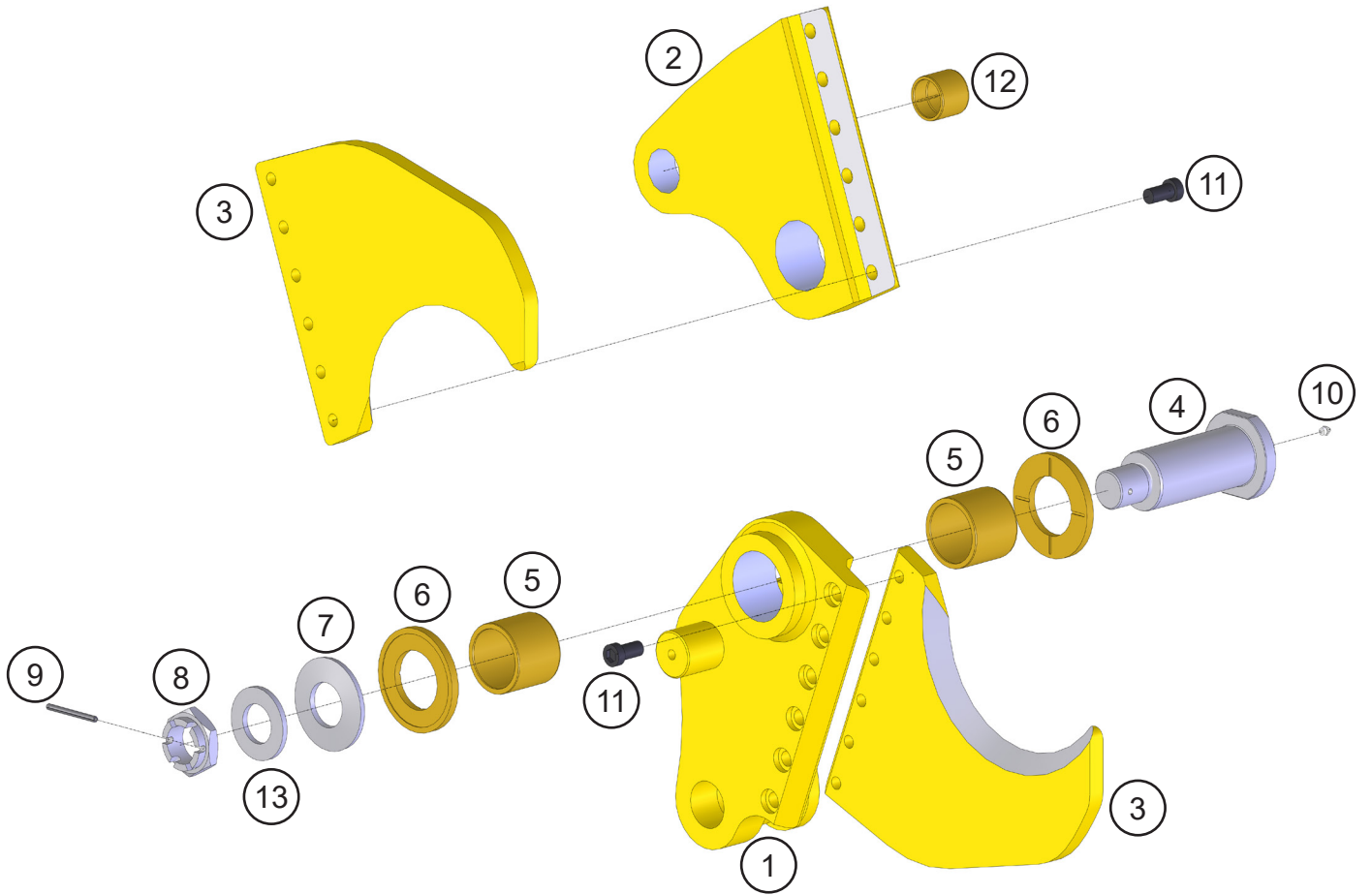
# ASSEMBLY CRACKER - 3500748



## ASSEMBLY CRACKER - 3500748

ITEM	QTY	PART NUMBER	DESCRIPTION
1	1	3500771	Wtmg Lower
2	1	3500769	Mach Upper
3	1	3500761	Mach Main Shaft
4	2	3500764	Mach Bearing RH/LH Main
5	2	3500762	Mach End Cap
6	1	3501019	Mach Pin for 2.50 Hook
7	1	3500459	Mach Bushing
8	12	F0616040	Socket Head Capscrew M16 x 2 x 40
9	2	3500471	Shim Set
10	4	6200066	Dowel Pin
11	4	S0170251	O-Ring
12	2	6200002	Grease Fitting

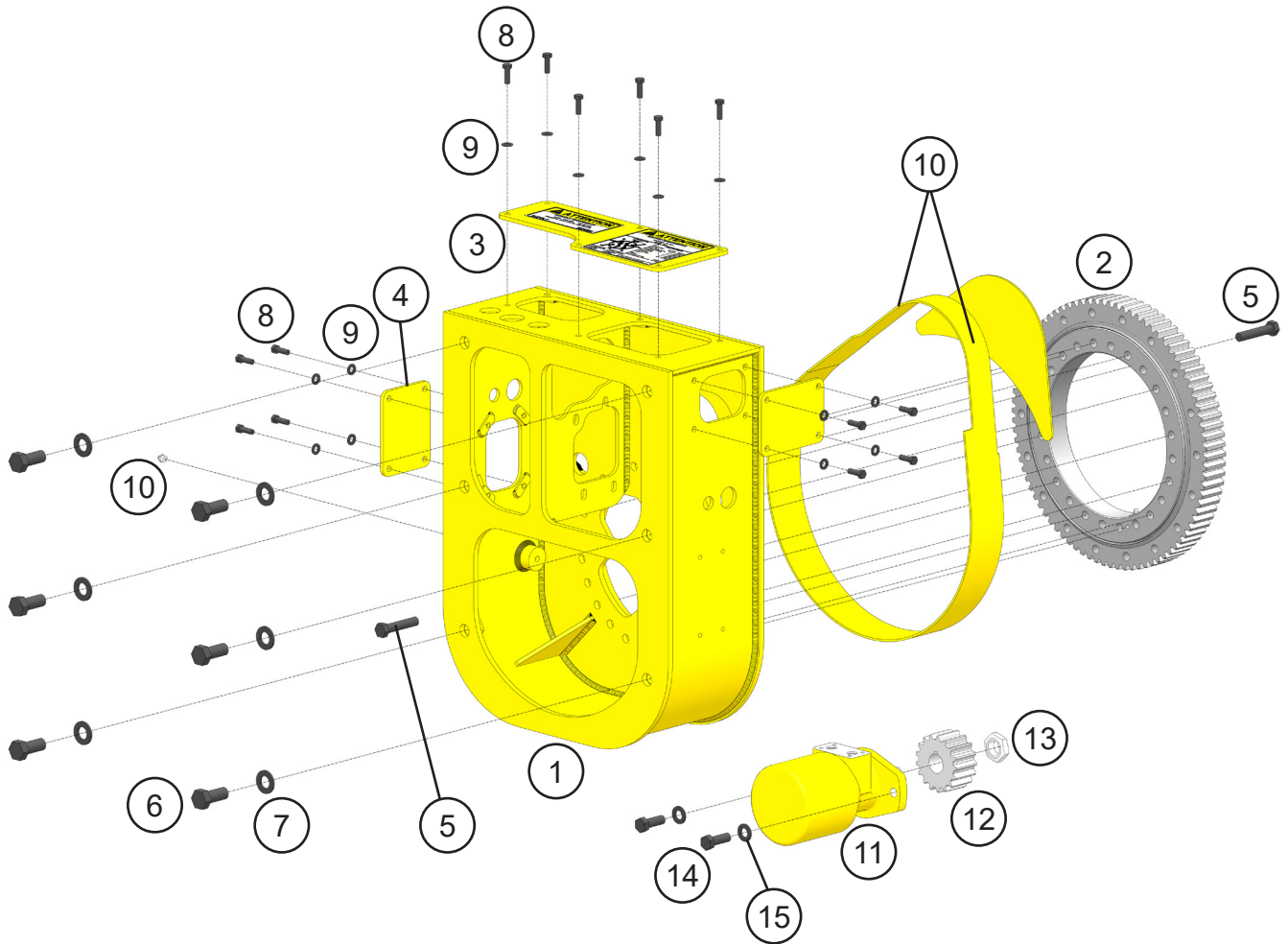
# ASSEMBLY WIRE CUTTER - 3000701



## ASSEMBLY WIRE CUTTER - 3000701

ITEM	QTY	PART NUMBER	DESCRIPTION
1	1	20000702	Wtmg, Lower Jaw
2	1	20000703	Wtmg, Upper Jaw
3	2	20000704	Mach Blade - Wire Cutter
4	1	20000713	Mach Pin
5	2	20000711	Mach Bushing
6	2	20000712	Mach Thrust Washer
7	1	20000715	Spring Washer
8	1	GN-F4052003	Slotted Hex Nut M52 x 3
9	1	GN-F4108090	Spring Pin 8mm x 90mm
10	1	1081017	Metric Grease Fitting M10-1 Straight
11	12	F0620040	Low Head Socket Capscrew M20 x 2.50 x 40
12	1	20000714	Mach Bushing
13	1	GN-F29552000	Washer

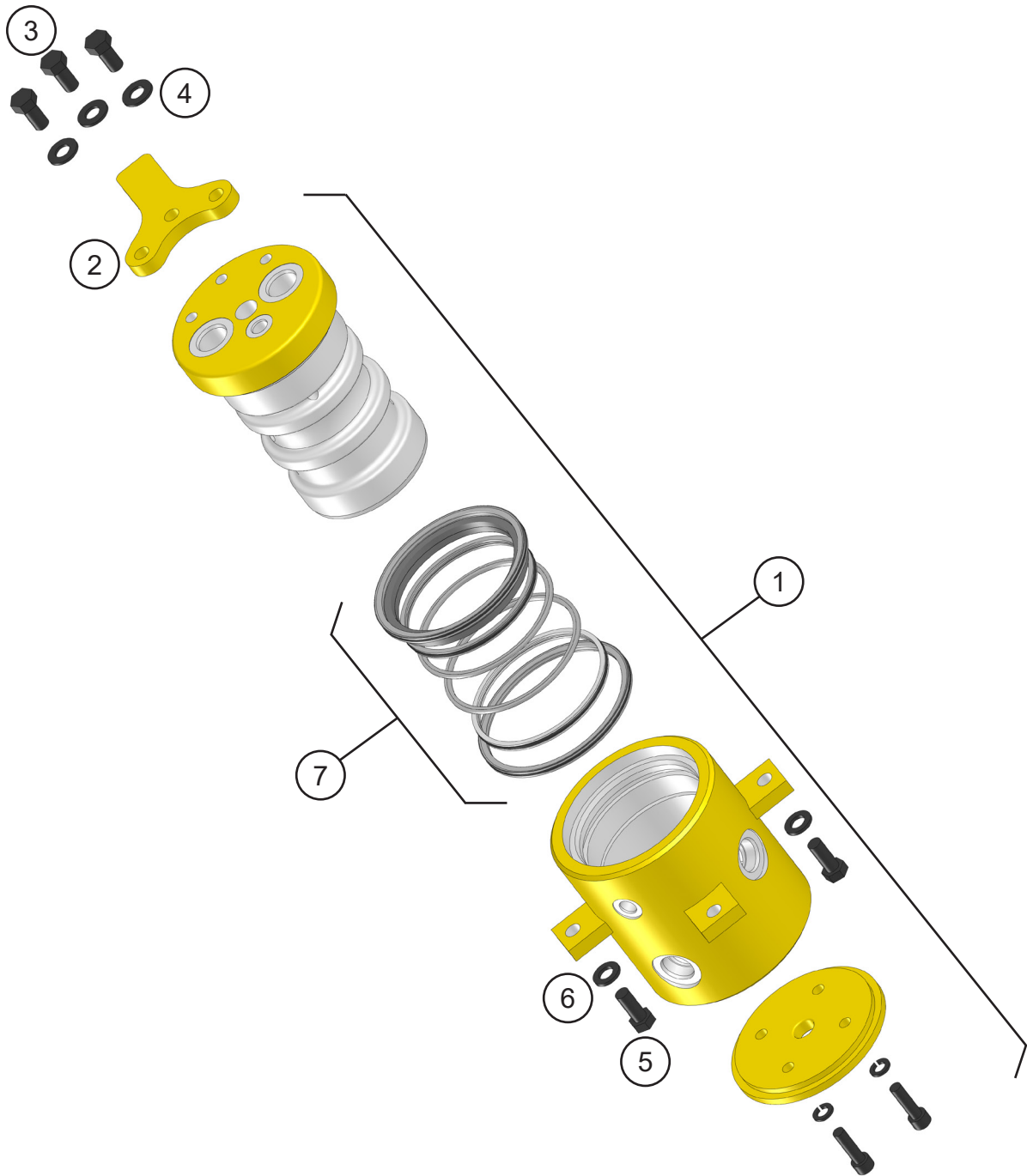
# ASSEMBLY UPPER HEAD - 3500700



## ASSEMBLY UPPER HEAD - 3500700

ITEM	QTY	PART NUMBER	DESCRIPTION
1	1	3501542	Wldt Upper Head
2	1	6300878	Bearing Slewing
3	1	3500739	Plate Cover
4	2	3501368	Plate Side Cover
5	42	F0114070	Hex Head Capscrew M12 x 2.0 x 70
6	6	F0275175	Hex Head Capscrew $\frac{3}{4}$ - 10 x $1\frac{3}{4}$
7	6	F1300075	Flat Washer Narrow $\frac{3}{4}$
8	14	F0231100	Hex Head Capscrew 5/16 - 18 x 1
9	14	F1300032	Flat Washer Narrow 5/16
10	1	6200002	Grease Fitting
11	1	6340004	Motor, Rotate
	1	SK00051	Seal Kit for 6340004
12	1	6300879	Pinion, 17 Tooth
13	1	(with Motor)	Jam Nut 1.00-12
14	2	F0114040	Hex Head Capscrew M14 x 2.0 x 40
15	2	F1201428	Flat Washer M14

# SUB-ASSEMBLY SWIVEL MANIFOLD

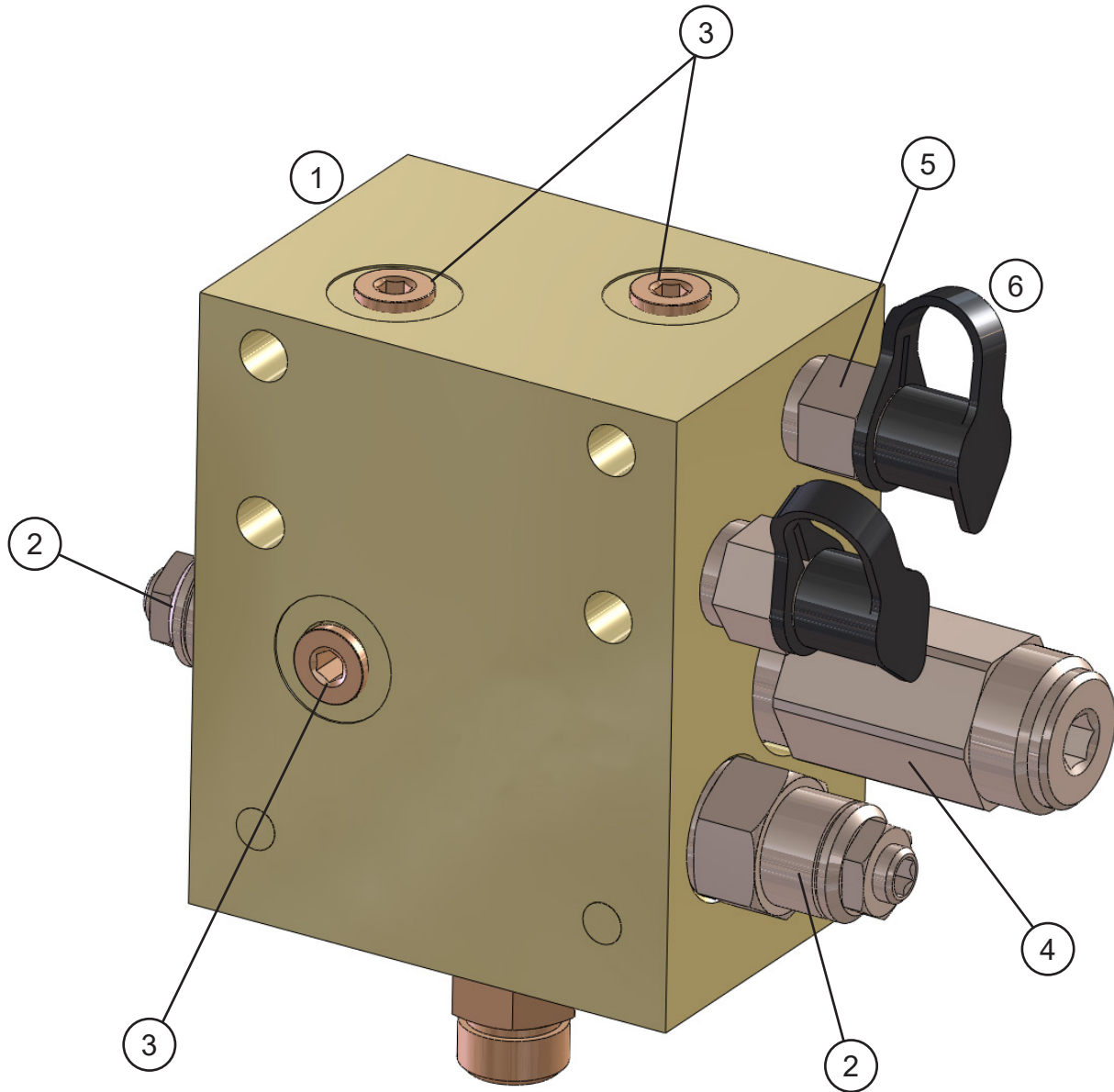




## SUB-ASSEMBLY SWIVEL MANIFOLD

ITEM	QTY	PART NUMBER	DESCRIPTION
1	1	6350004	Assembly Swivel Manifold
2	1	3500244	Plate Swivel Guide
3	3	F0250100	Hex Head Capscrew ½ - 13 x 1
4	3	F1300050	Flat Washer Narrow ½
5	4	F0112030	Hex Head Capscrew M12 x 1.75 x 30
6	4	F1201224	Flat Washer M12
7	1	SK00038	Seal Kit

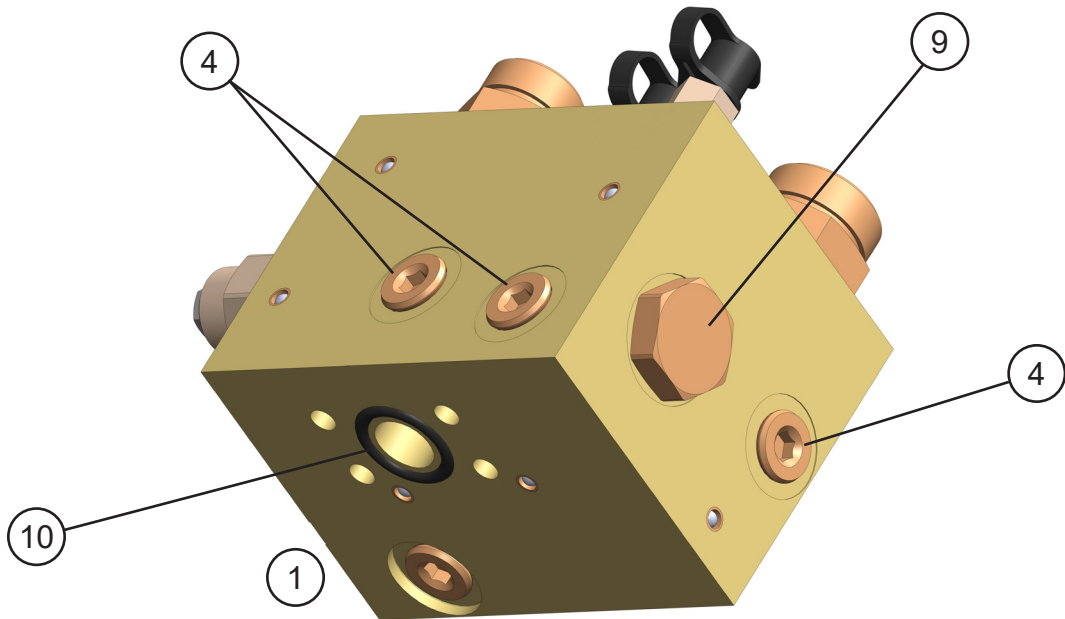
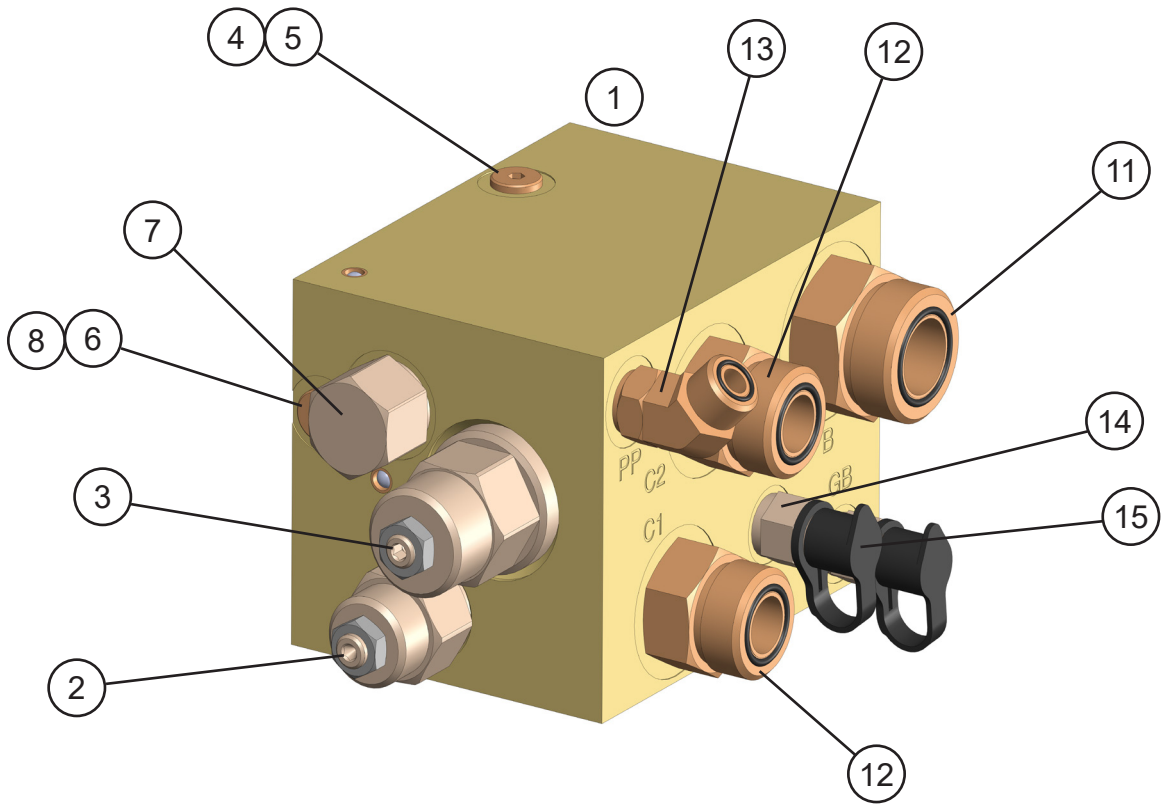
# SUB-ASSEMBLY VALVE ROTATE CROSS-OVER / C'BAL



## SUB-ASSEMBLY VALVE ROTATE CROSS-OVER / C'BAL

ITEM	QTY	PART NUMBER	DESCRIPTION
1	1	6360006	Valve Rotate Cross-over / C'bal Manifold
2	2	6380032	Valve Counter-balance
	1	SK00058	Seal Kit for 6380032
3	3	6300076	Plug Socket Head 04MB
4	1	6380033	Valve Cross-over
	1	SK00025	Seal Kit for 6380033
5	2	6300365	Diagnostic Nipple 04MB
6	2	6310001	Diagnostic Nipple Dust Cap

# SUB-ASSEMBLY VALVE REGEN WITH OVER-RIDE

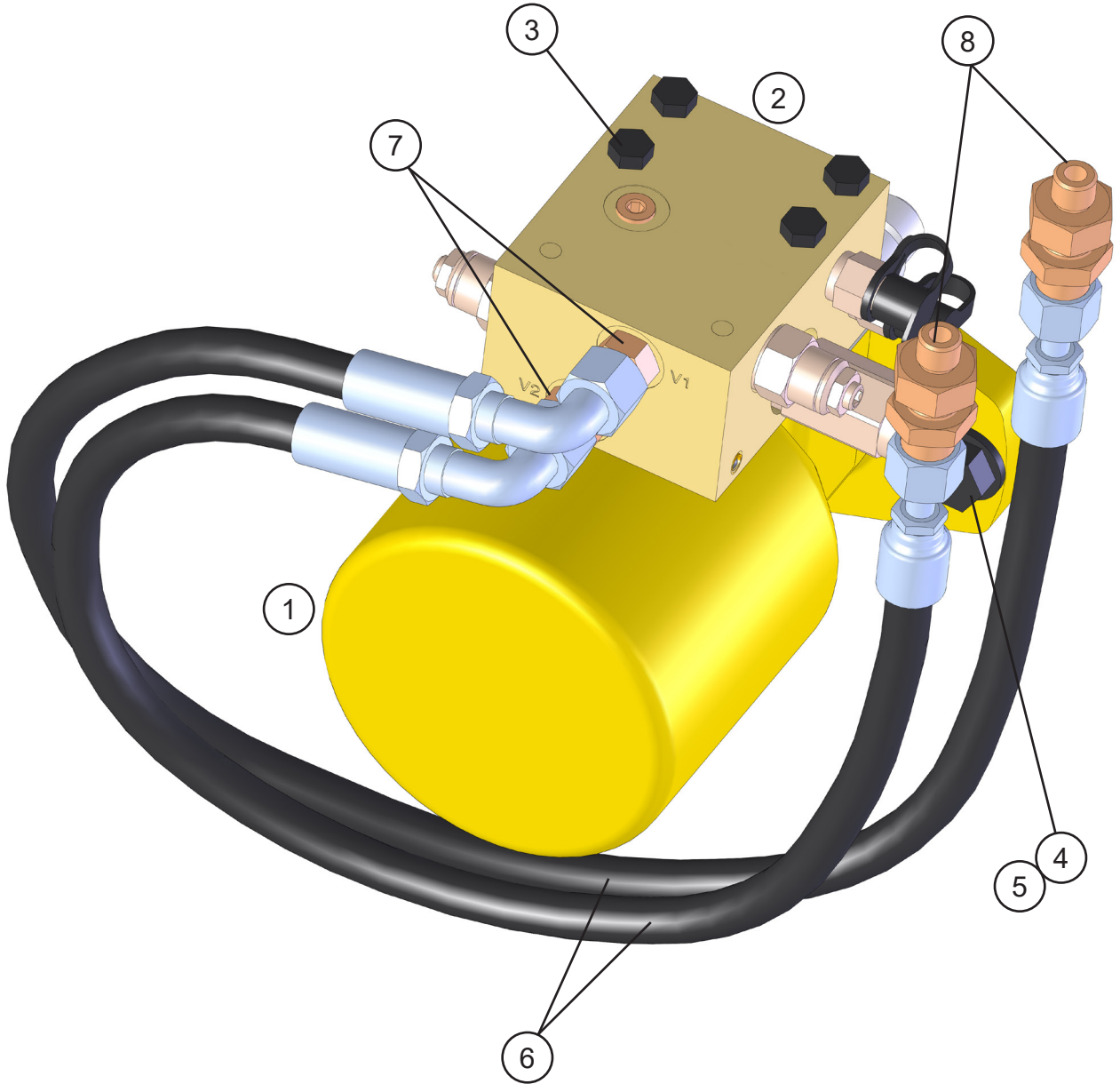


## SUB-ASSEMBLY VALVE REGEN WITH OVER-RIDE

ITEM	QTY	PART NUMBER	DESCRIPTION
1	1	6360007	Manifold Valve Regen with Over-ride
2	1	6380026	Valve Counter-balance
	1	SK00002	Seal Kit for 6380026
3	1	6380063	Valve Counter-Balance
	1	SK00019	Seal Kit for 6380063
4	4	6300076	Plug Socket Head 04MB
5	1	6380030	Valve Shuttle
6	3	6380054	Plug Socket Head 08MB
7	1	6380029	Valve Logic Element
	1	SK00021	Seal Kit for 6380029
8	1	6380031	Orifice Screen
9	1	6380028	Valve Check
	1	SK00020	Seal Kit for 6380028
10	1	S0190214	O-Ring
11	1	6310046	Adaptor 16MB-16MO
12	1	6300441	Adaptor 12MB-12MO
13	1	6310035	Adaptor 06MB-06MO-45
14	2	6300365	Diagnostic Nipple 04MB
15	2	6310001	Diagnostic Nipple Dust Cap

# FULL HYDRAULIC - NO REGEN - ROTATE CIRCUIT

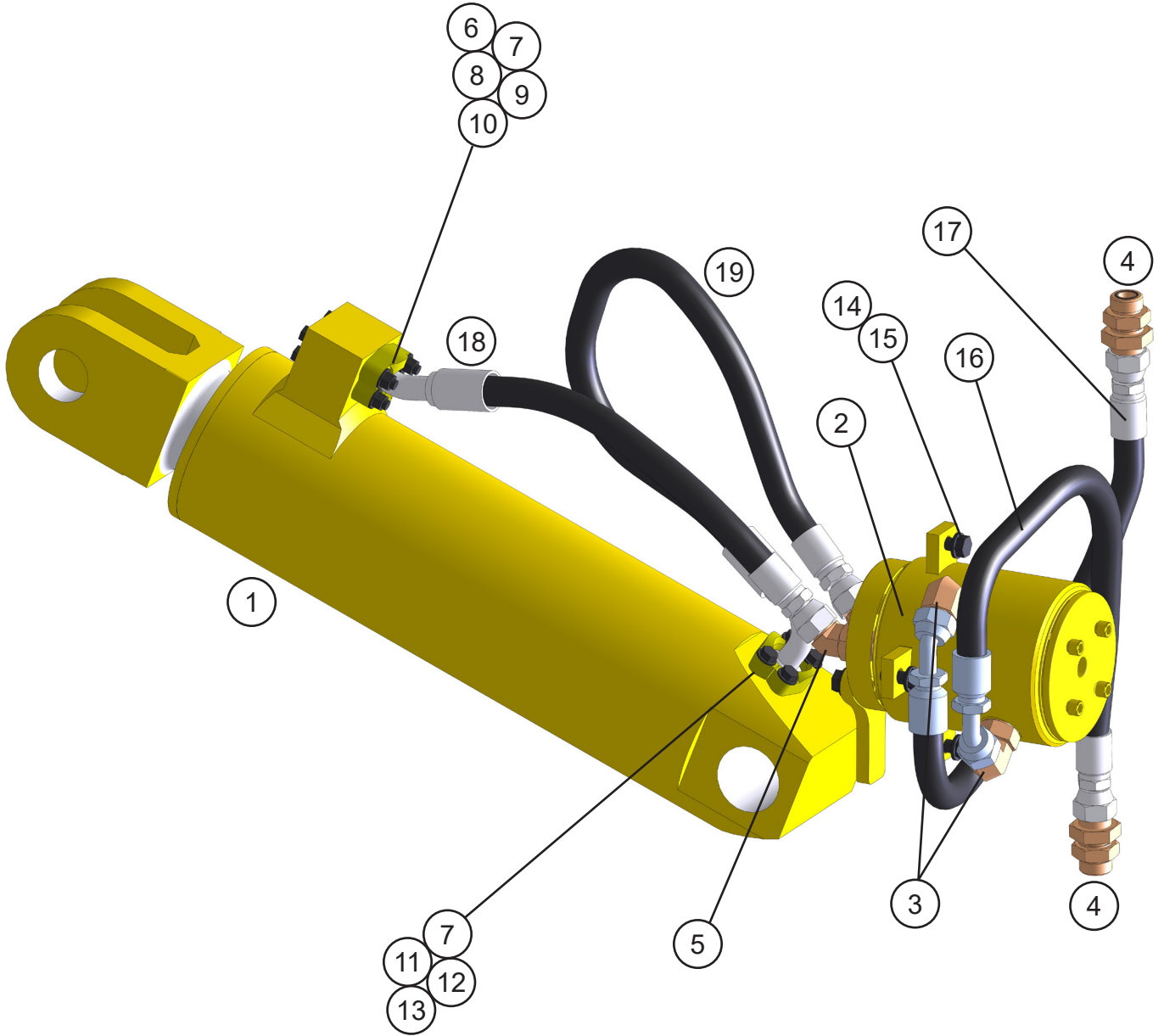
Skid Steer Configuration Shown



## FULL HYDRAULIC - NO REGEN - ROTATE CIRCUIT

ITEM	QTY	PART NUMBER	DESCRIPTION
1	1	6340004	Motor, Rotate
	1	SK00051	Seal Kit for 6340004
2	1	See page 18	Valve Rotate Cross-over / C'bal Manifold
3	4	F0231300	Hex Head Capscrew 5/16 - 18 x 3
4	2	F0112030	Hex Head Capscrew M12 x 1.75 x 30
5	2	F1201224	Flat Washer M12
6	2	5300374	Hose
7	1	6300018	Adaptor 06MB-06MO
8	2	6310149	Adaptor Bulkhead 06MO-06MO

# FULL HYDRAULIC - NO REGEN - OPEN & CLOSE CIRCUIT



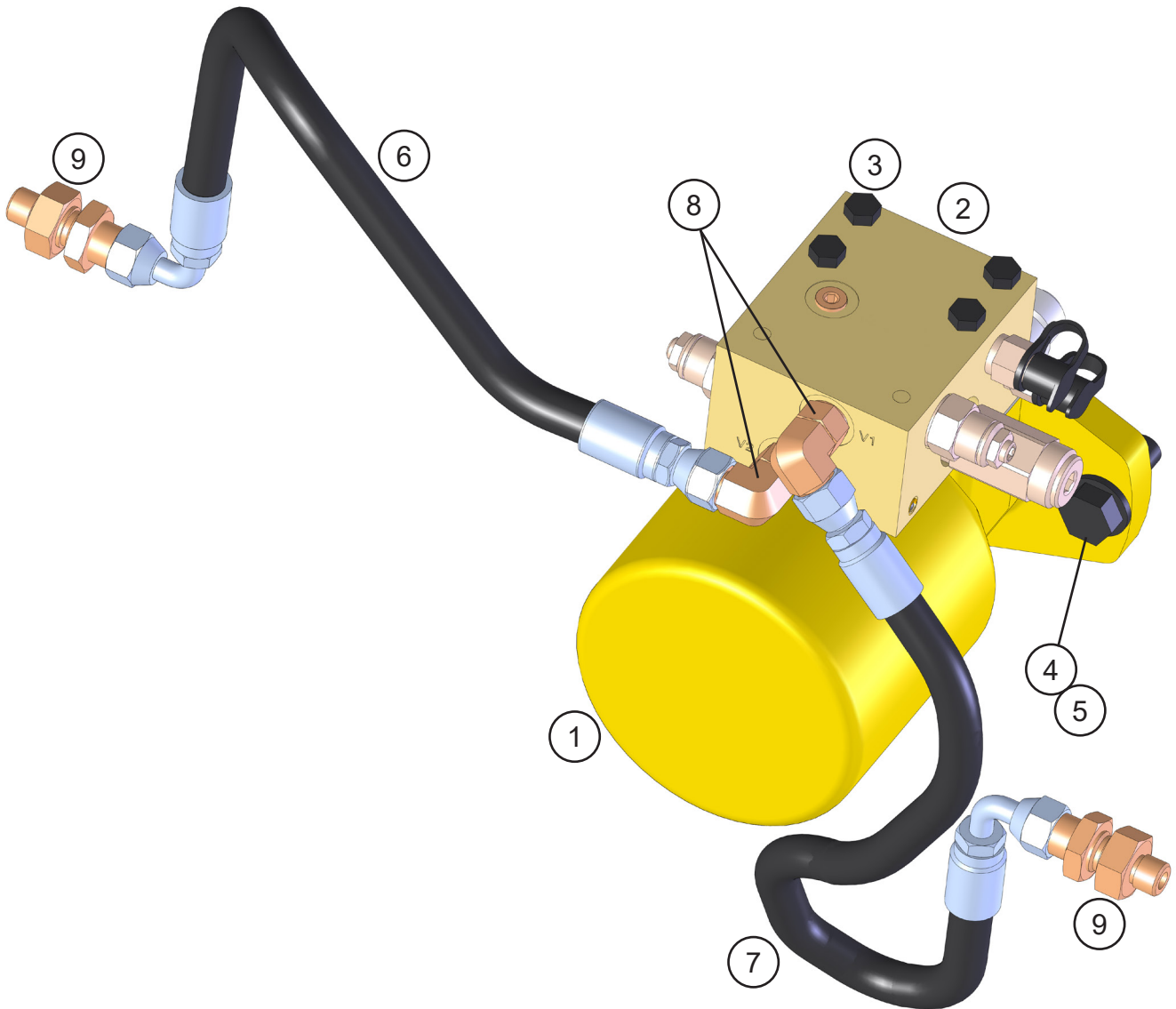


## FULL HYDRAULIC - NO REGEN - OPEN & CLOSE CIRCUIT

ITEM	QTY	PART NUMBER	DESCRIPTION
1	1	See page 16	Assembly Cylinder B6.00 R4.00 S14.50 - 6350003
2	1	See page 16	Sub-Assembly Swivel Manifold
3	2	1104962	Mach Fitting 12MB-12MO-90
4	2	6300101	Adaptor Bulkhead 12MO-12MO
5	2	6310034	Adaptor 12MB-12MO-45
6	4	F0238350	Hex Head Capscrew $\frac{3}{8}$ - 16 x $3\frac{1}{2}$
7	12	F1300038	Flat Washer Narrow $\frac{3}{8}$
8	4	F0903816	Hex Nut $\frac{3}{8}$ - 16
9	2	H0261075	Split Flange Half $\frac{3}{4}$
10	1	S0190214	O-Ring
11	2	H0261100	Split Flange Half 1.00
12	1	S0190219	O-Ring
13	4	F0238175	Hex Head Capscrew $\frac{3}{8}$ - 16 x $1\frac{3}{4}$
14	4	F0112030	Hex Head Capscrew M12 x 1.75 x 30
15	4	F1201224	Flat Washer M12
16	1	5300387	Hose
17	1	5300398	Hose
18	1	5300400	Hose
19	1	5300399	Hose

# FULL HYDRAULIC - ROTATE CIRCUIT

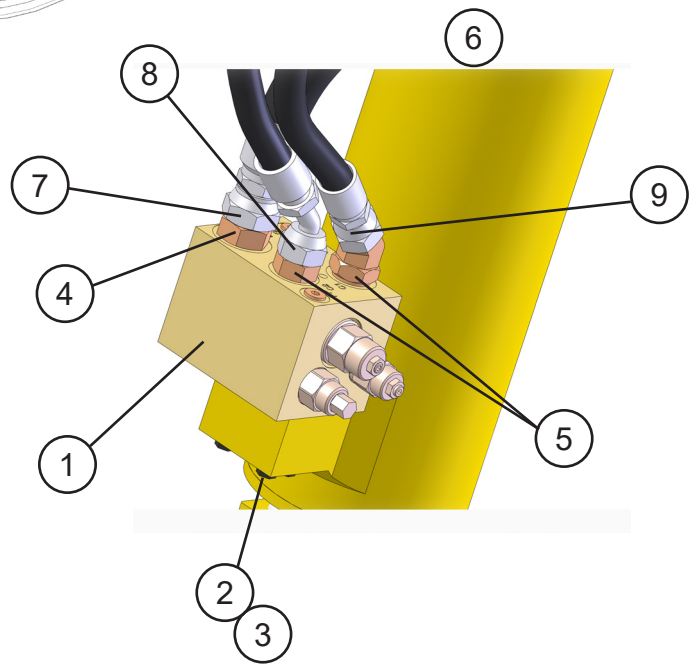
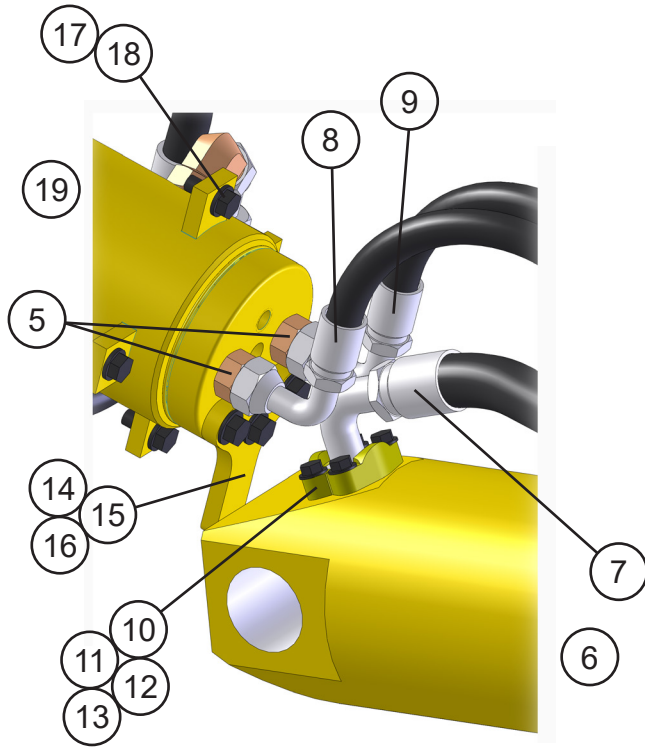
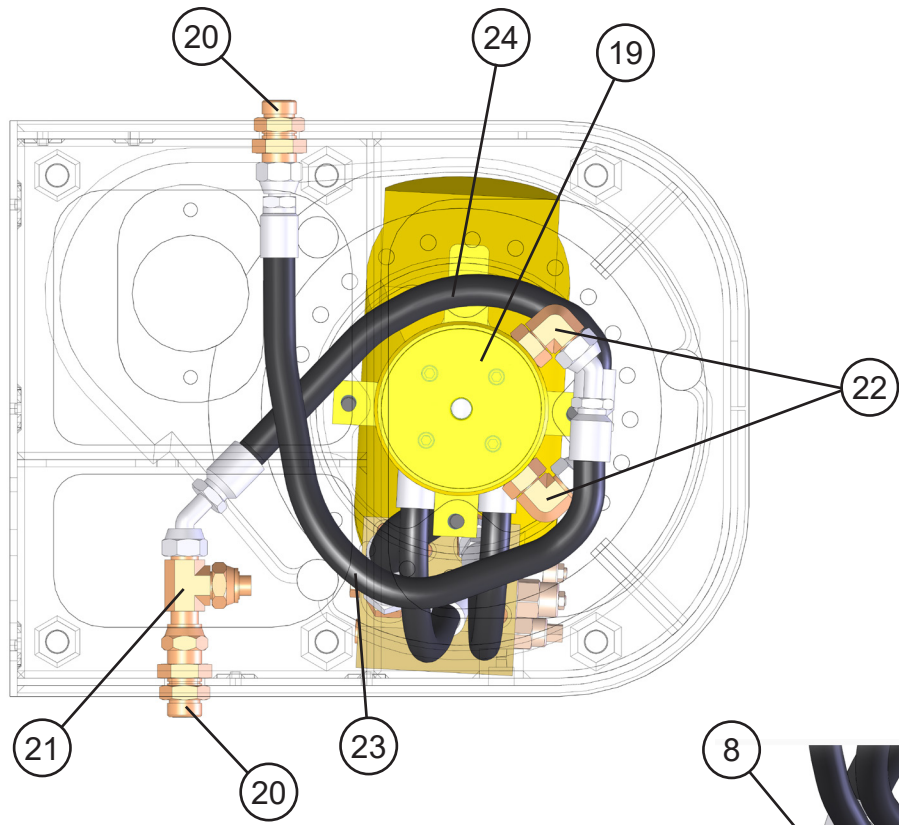
Excavator Configuration Shown



## FULL HYDRAULIC - ROTATE CIRCUIT

ITEM	QTY	PART NUMBER	DESCRIPTION
1	1	6340004	Motor, Rotate
	1	SK00051	Seal Kit for 6340004
2	1	See page 18	Valve Rotate Cross-over / C'bal Manifold
3	4	F0231300	Hex Head Capscrew 5/16 - 18 x 3
4	2	F0112030	Hex Head Capscrew M12 x 1.75 x 30
5	2	F1201224	Flat Washer M12
6	1	5300388	Hose
7	1	5300389	Hose
8	2	6310041	Adaptor 06MB-06MO-90
9	2	6310149	Adaptor Bulkhead 06MO-06MO

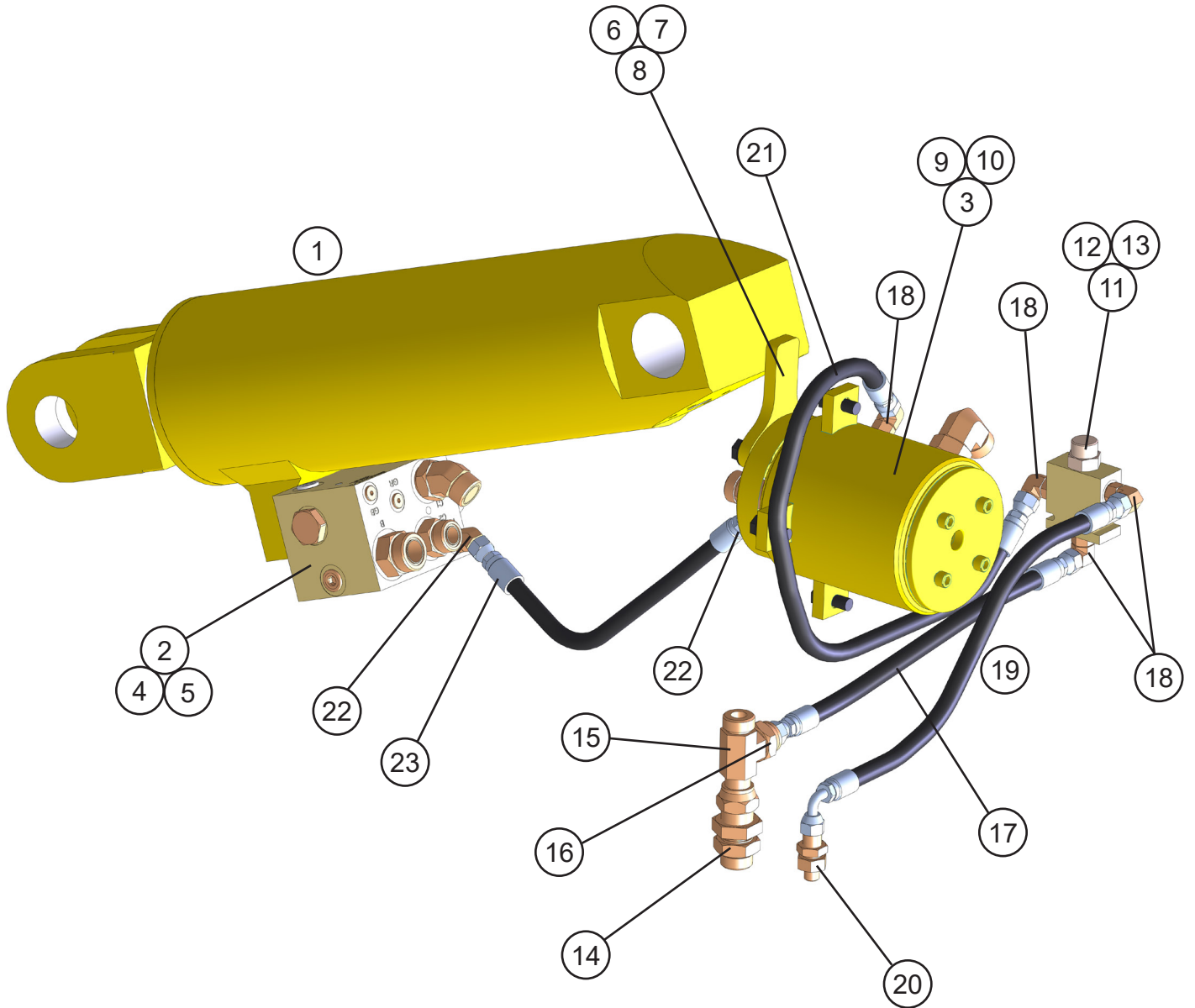
# FULL HYDRAULIC - OPEN & CLOSE CIRCUIT



## FULL HYDRAULIC - OPEN & CLOSE CIRCUIT

ITEM	QTY	PART NUMBER	DESCRIPTION
1	1	See page 20	Valve Regen with Over-ride
2	4	F0238300	Hex Head Capscrew $\frac{3}{8}$ - 16 x 3
3	4	F1300038	Flat Washer Narrow $\frac{3}{8}$
4	1	6310046	Adaptor 16MB-16MO
5	4	6300441	Adaptor 12MB-12MO
6	1	See page 16	Assembly Cylinder B6.00 R4.00 S14.50 - 6350003
7	1	5300158	Hose
8	1	5300401	Hose
9	1	5300159	Hose
10	2	H0261100	Split Flange Half 1.00
11	4	F0238175	Hex Head Capscrew $\frac{3}{8}$ - 16 x $1\frac{3}{4}$
12	4	F1300038	Flat Washer Narrow $\frac{3}{8}$
13	1	S0190219	O-Ring
14	1	3500244	Plate Swivel Guide
15	3	F0250100	Hex Head Capscrew $\frac{1}{2}$ - 13 x 1
16	3	F1300050	Flat Washer Narrow $\frac{1}{2}$
17	4	F0112030	Hex Head Capscrew M12 x 1.75 x 30
18	4	F1201224	Flat Washer M12
19	1	See page 16	Sub-Assembly Swivel Manifold
20	2	6300101	Adaptor Bulkhead 12MO-12MO
21	1	6310092	Adaptor Run Tee 12FOX-12MO-12MO
22	2	1104962	Mach Fitting 12MB-12MO-90
23	1	5300387	Hose
24	1	5300405	Hose

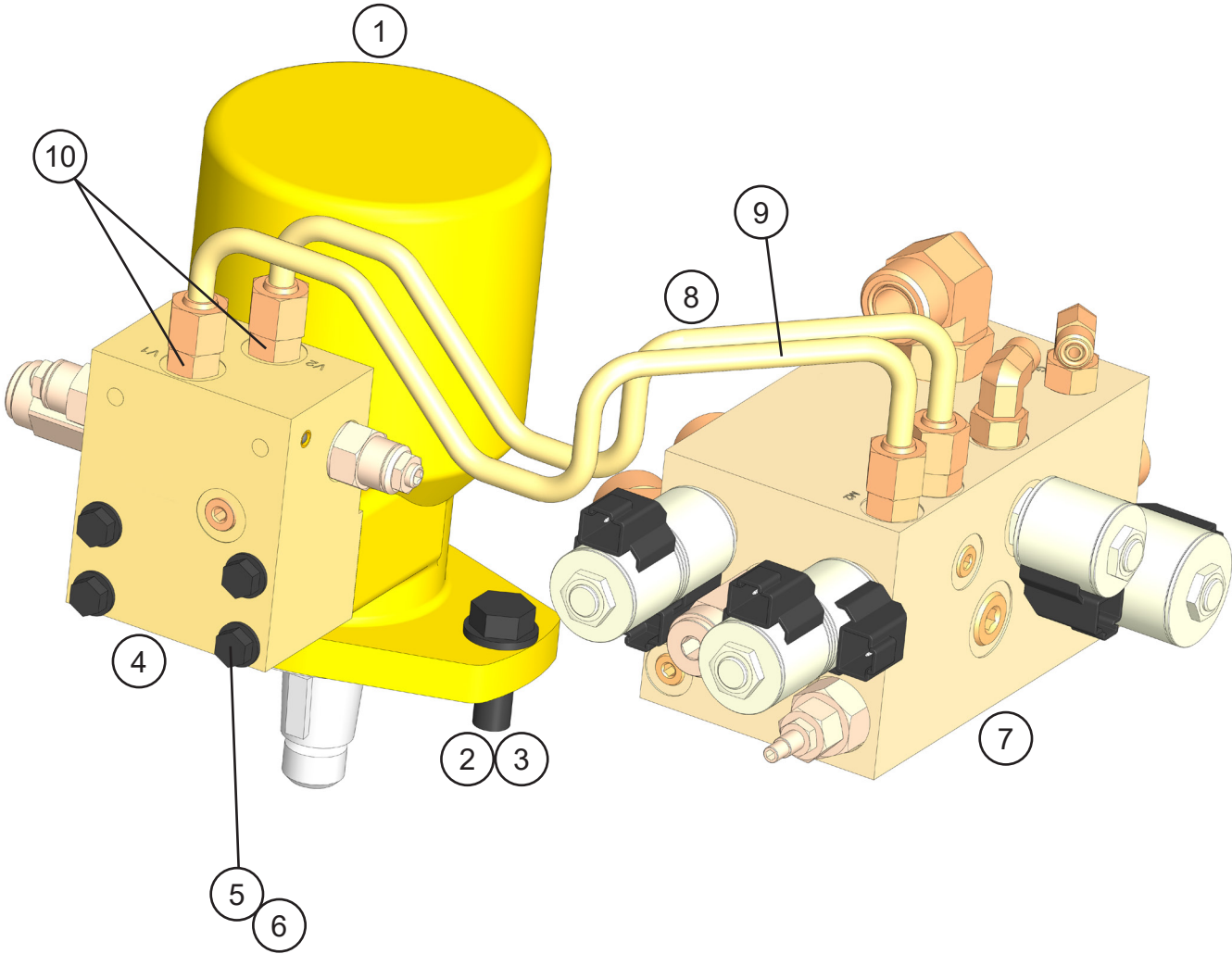
# FULL HYDRAULIC - REGEN CIRCUIT



## FULL HYDRAULIC - REGEN CIRCUIT

ITEM	QTY	PART NUMBER	DESCRIPTION
1	1	See page 16	Assembly Cylinder B6.00 R4.00 S14.50 - 6350003
2	1	See page 20	Sub-Assembly Valve Regen with Over-ride
3	1	See page 16	Sub-Assembly Swivel Manifold
4	4	F0238300	Hex Head Capscrew $\frac{3}{8}$ - 16 x 3
5	4	F1300038	Flat Washer Narrow $\frac{3}{8}$
6	1	3500244	Plate Swivel Guide
7	3	F0250100	Hex Head Capscrew $\frac{1}{2}$ - 13 x 1
8	3	F1300050	Flat Washer Narrow $\frac{1}{2}$
9	4	F0112030	Hex Head Capscrew M12 x 1.75 x 30
10	4	F1201224	Flat Washer M12
11	1	6380067	Valve Check
12	2	F0225150	Hex Head Capscrew $\frac{1}{4}$ - 20 x 1 $\frac{1}{2}$
13	2	F1300025	Flat Washer $\frac{1}{4}$
14	1	6300101	Adaptor Bulkhead 12MO-12MO
15	1	6310092	Adaptor Run Tee 12FOX-12MO-12MO
16	1	6310006	Reducer 12FOX-06MO
17	1	5300404	Hose
18	4	6310041	Adaptor 06MB-06MO-90
19	1	5300402	Hose
20	1	6310149	Adaptor Bulkhead 06MO-06MO
21	1	5300403	Hose
22	2	6310035	Adaptor 06MB-06MO-45
23	1	5300068	Hose

# ELECTRIC OVER HYDRAULIC - ROTATE CIRCUIT

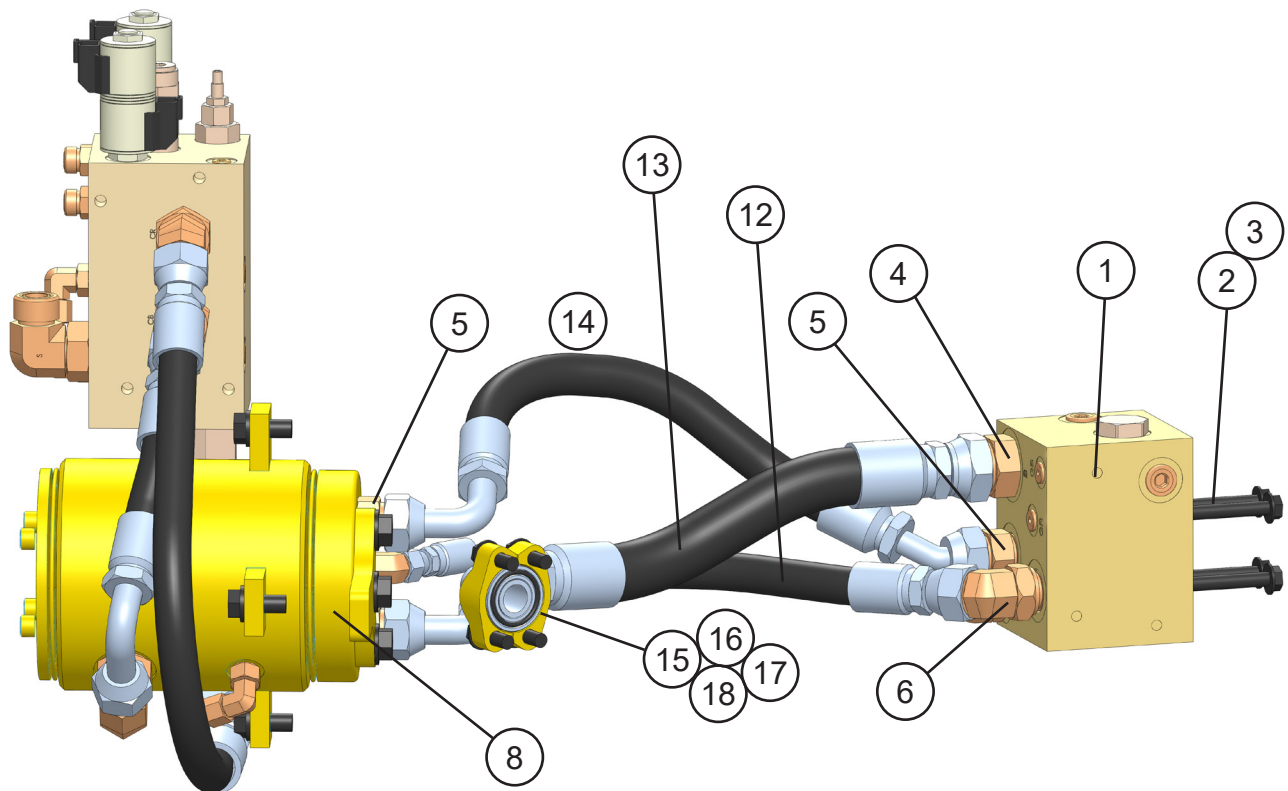
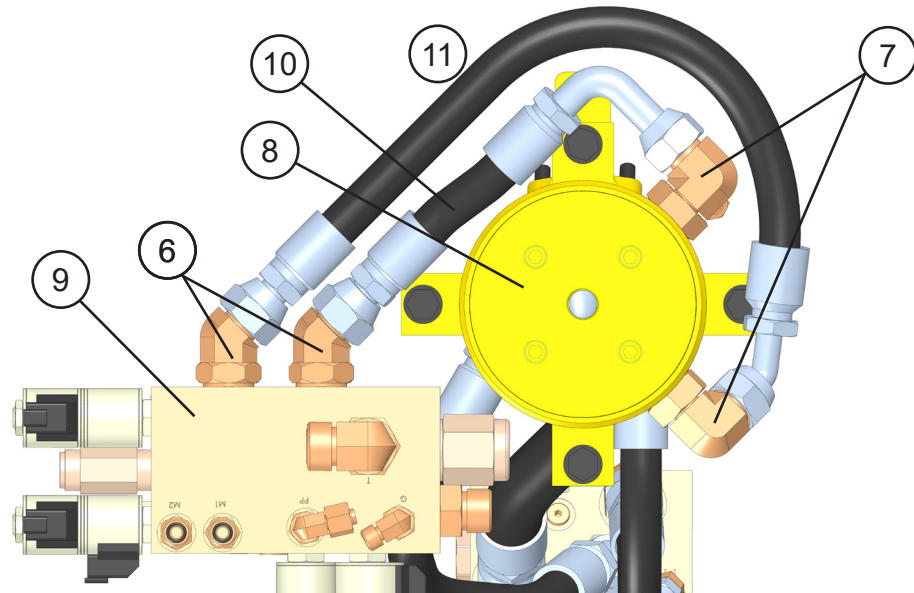




## ELECTRIC OVER HYDRAULIC - ROTATE CIRCUIT

ITEM	QTY	PART NUMBER	DESCRIPTION
1	1	6340004	Motor, Rotate
	1	SK00051	Seal Kit for 6340004
2	2	F0114040	Hex Head Capscrew M14 x 2.0 x 40
3	2	F1201428	Flat Washer M14
4	1	See page 18	Valve Rotate Cross-over / C'bal Manifold
5	4	F0231300	Hex Head Capscrew 5/16 - 18 x 3
6	4	F1300032	Flat Washer Narrow 5/16
7	1	See page 40	Valve Control - Cylinder / Motor
8	1	6330088	Assy Tube Hyd 06-.049-06FOX-06FOX (M1-V2)
9	1	6330089	Assy Tube Hyd 06-.049-06FOX-06FOX (M2-V1)
10	2	6300018	Adaptor 06MB-06MO

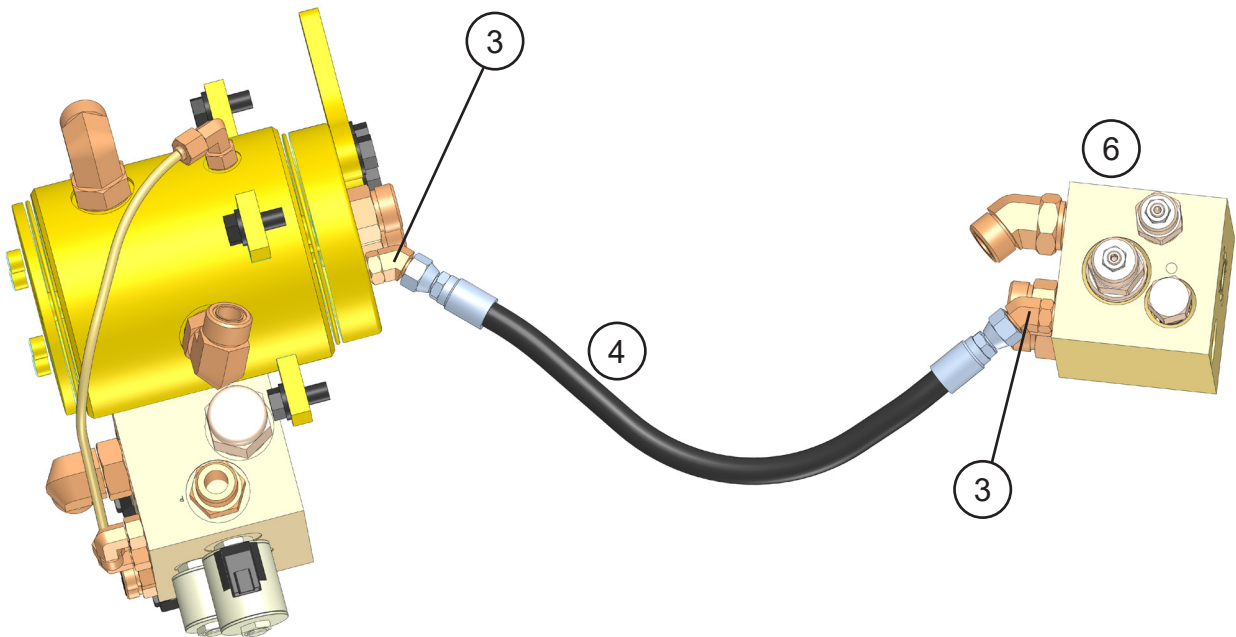
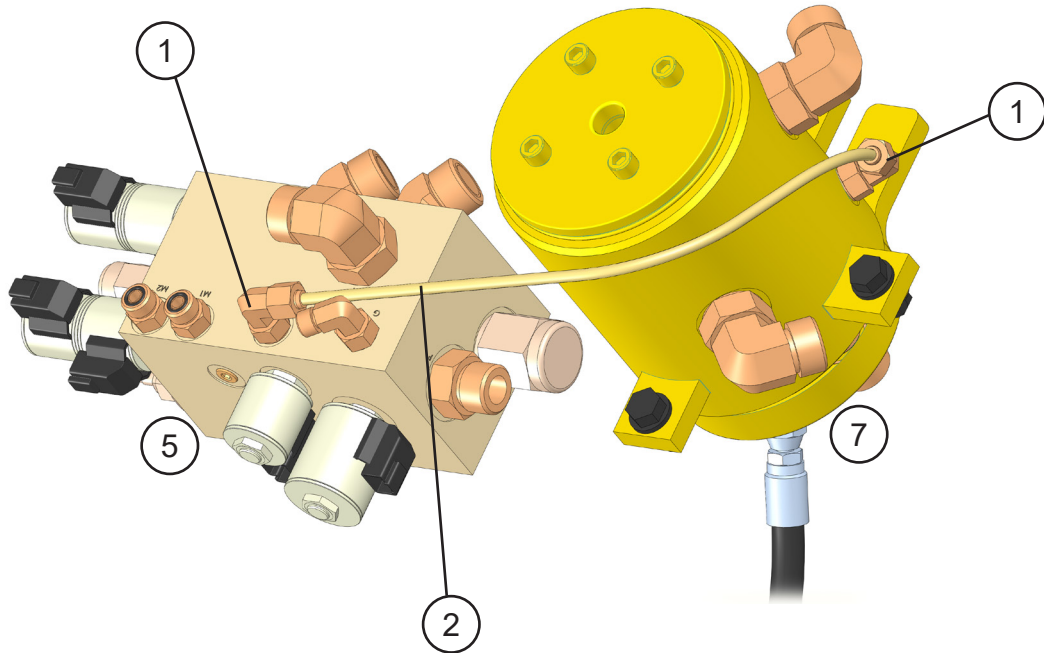
# ELECTRIC OVER HYDRAULIC - OPEN & CLOSE CIRCUIT



## ELECTRIC OVER HYDRAULIC - OPEN & CLOSE CIRCUIT

ITEM	QTY	PART NUMBER	DESCRIPTION
1	1	See page 20	Valve Regen with Over-ride
2	4	F0238300	Hex Head Capscrew $\frac{3}{8}$ - 16 x 3
3	4	F1300038	Flat Washer Narrow $\frac{3}{8}$
4	1	6310046	Adaptor 16MB-16MO
5	3	6300441	Adaptor 12MB-12MO
6	3	6310034	Adaptor 12MB-12MO-45
7	2	1104962	Mach Fitting 12MB-12MO-90
8	1	See page 16	Swivel Manifold Sub-Assembly
9	1	See page 40	Valve Control Cylinder/Motor
10	1	5300180	Hose
11	1	5300181	Hose
12	1	5300182	Hose
13	1	5300158	Hose
14	1	5300159	Hose
18	2	H0261100	Split Flange Half 1.00
16	4	F0238300	Hex Head Capscrew $\frac{3}{8}$ - 16 x 3
17	4	F1300038	Flat Washer Narrow $\frac{3}{8}$
18	1	S0190219	O-Ring

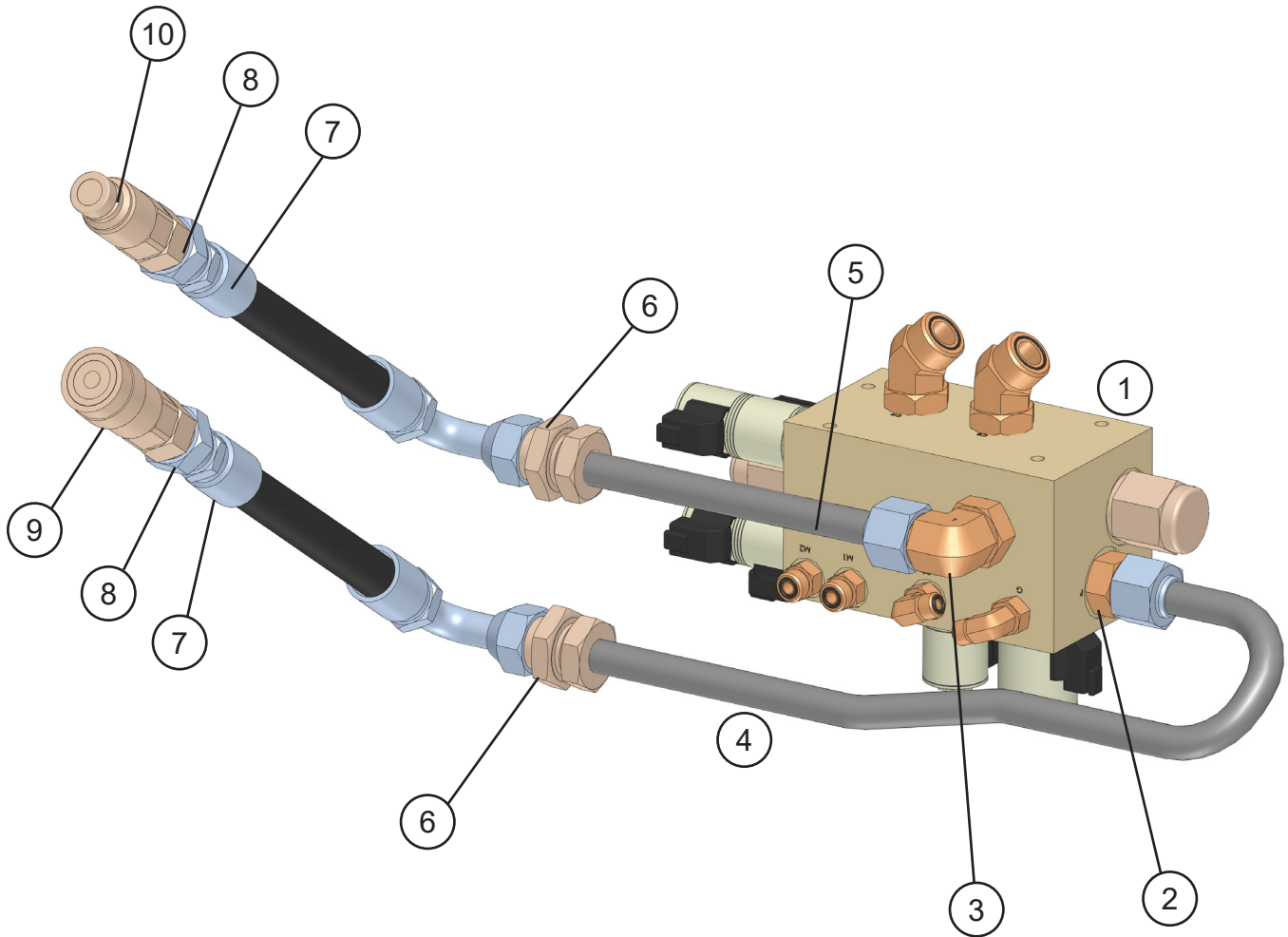
# ELECTRIC OVER HYDRAULIC - REGEN OVER-RIDE CIRCUIT



## ELECTRIC OVER HYDRAULIC - REGEN OVER-RIDE CIRCUIT

ITEM	QTY	PART NUMBER	DESCRIPTION
1	2	6310105	Adaptor 06MB-04MO-90
2	1	6330087	Assy Tube Hyd 04-049-04FOX-04FOX
3	2	6310035	Adaptor 06MB-06MO-45
4	1	5300161	Hose
5	1	See page 40	Valve Control - Cylinder / Motor
6	1	See page 20	Valve Regen with Over-ride
7	1	See page 16	Swivel Manifold Sub-Assembly

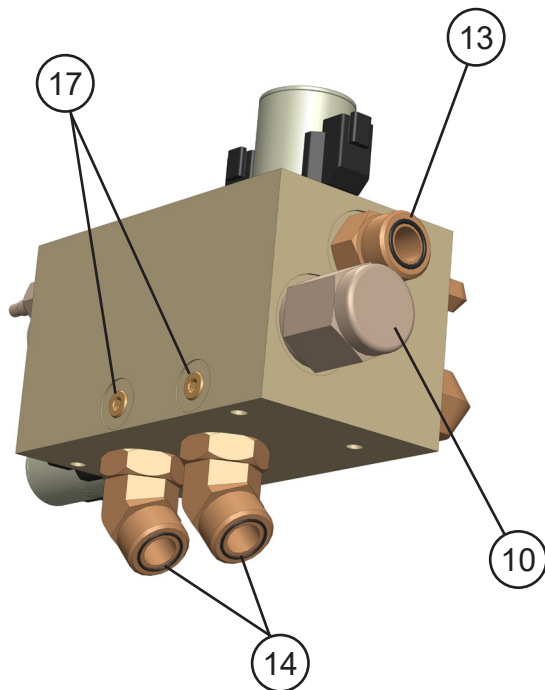
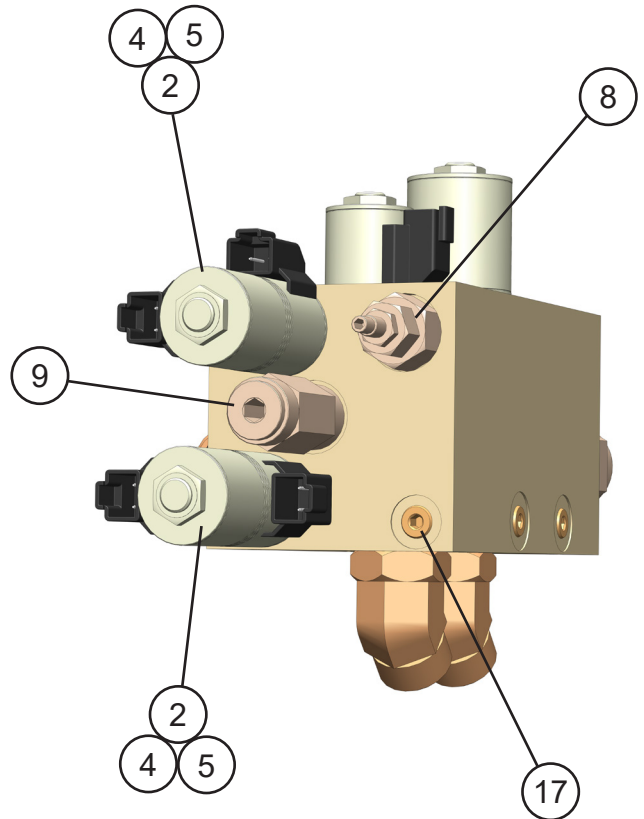
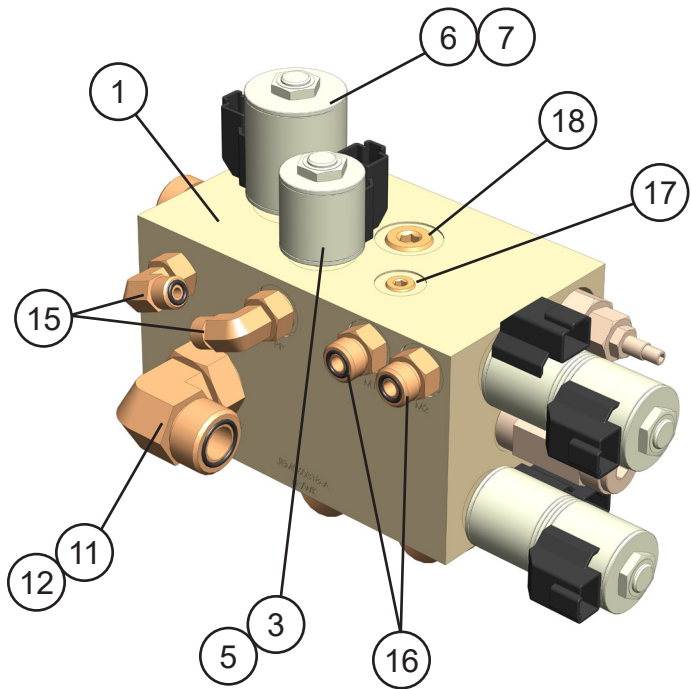
# ELECTRIC OVER HYDRAULIC - PRESSURE & RETURN CIRCUIT



## ELECTRIC OVER HYDRAULIC - PRESSURE & RETURN CIRCUIT

ITEM	QTY	PART NUMBER	DESCRIPTION
1	1	See page 40	Valve Control - Cylinder / Motor
2	1	6300441	Adaptor 12MB-12M0
3	1	1104962	Adaptor 12MB-12MO-90 (Cut down)
4	1	6330086	Assy Tube Hyd 12-.120-12MBulkhead-12FOX (Pressure)
5	1	6330085	Assy Tube Hyd 12-.120-12MBulkhead-12FOX (Return)
6	2	6301030	Adaptor Bulkhead Nut - 12
7	2	5300169	Hose
8	2	6310047	Adaptor 10MB-12MO
9	1	6310025	Quick Coupling 1/2" Female - 10FB
10	1	6310026	Quick Coupling 1/2" Male - 10FB

# ELECTRIC OVER HYDRAULIC - VALVE CONTROL CYLINDER/MOTOR

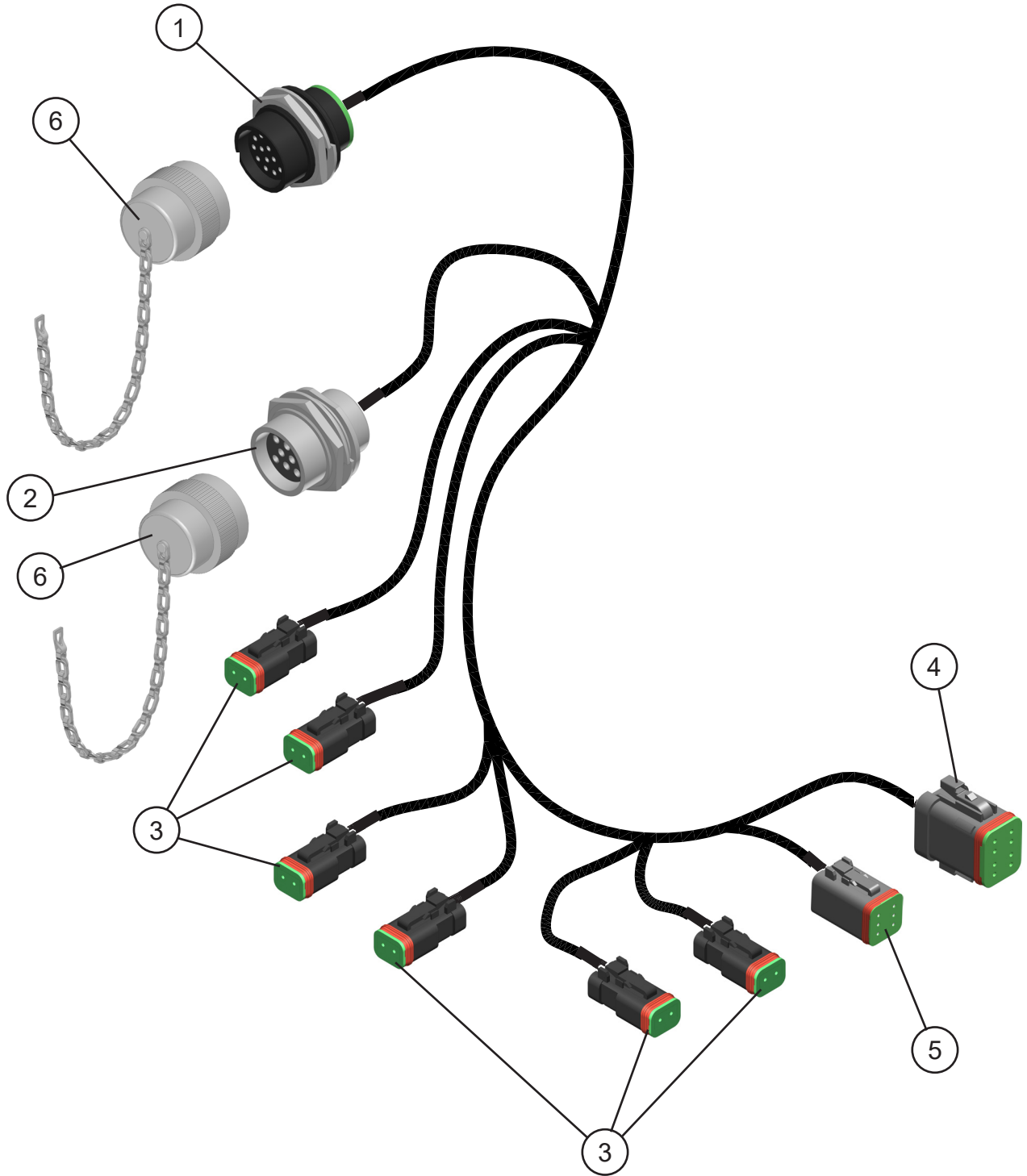




## ELECTRIC OVER HYDRAULIC - VALVE CONTROL CYLINDER/MOTOR

ITEM	QTY	PART NUMBER	DESCRIPTION
1	1	6360008	Valve Control Cylinder / Motor
2	2	6380041	Valve Solenoid 3P-4W
	1	SK00062	Seal Kit for 6380041
3	1	6380042	Valve Solenoid 2P-2W NC
	1	SK00063	Seal Kit for 6380042
4	2	6880003	Spacer Coil
5	5	6880002	Valve Solenoid Coil
6	1	6880004	Valve Solenoid Coil
7	1	6380044	Valve Solenoid 2P-2W NO
8	1	6380045	Valve Flow Control
	1	SK00067	Seal Kit for 6380045
9	1	6380043	Valve Pressure Reducing / Relieving
	1	SK00065	Seal Kit for 6380043
10	1	6380047	Valve Pilot 3P-4W
	1	SK00064	Seal Kit for 6380047
11	1	6380046	Valve Check Assembly
12	1	1104962	Adaptor 12MB-12MO-90 (Cut down)
13	1	6300441	Adaptor 12MB-12MO
14	2	6310034	Adaptor 12MB-12MO-45
15	2	6310105	Adaptor 06MB-04MO-90
16	2	6300018	Adaptor 06MB-06MO
17	4	6300076	Plug Socket Head 04MB
18	1	6300054	Plug Socket Head 08MB

# ELECTRIC OVER HYDRAULIC - CONTROL HARNESS 6830024

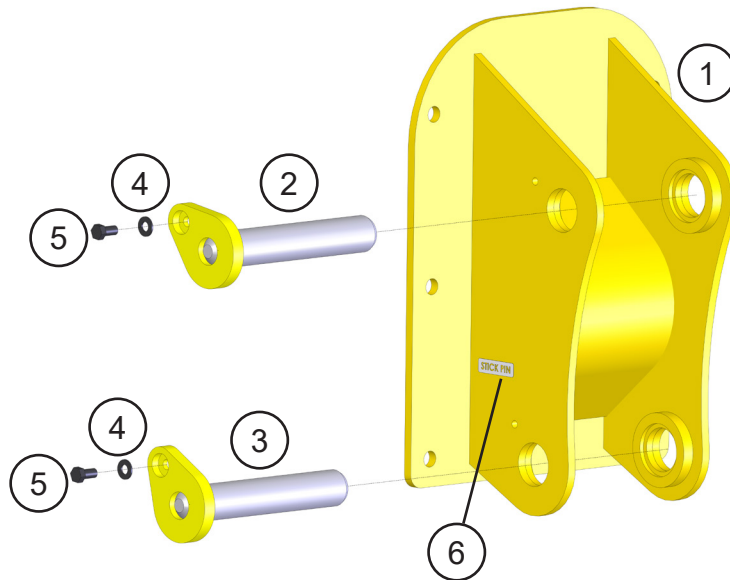


# ELECTRIC OVER HYDRAULIC - CONTROL HARNESS 6830024

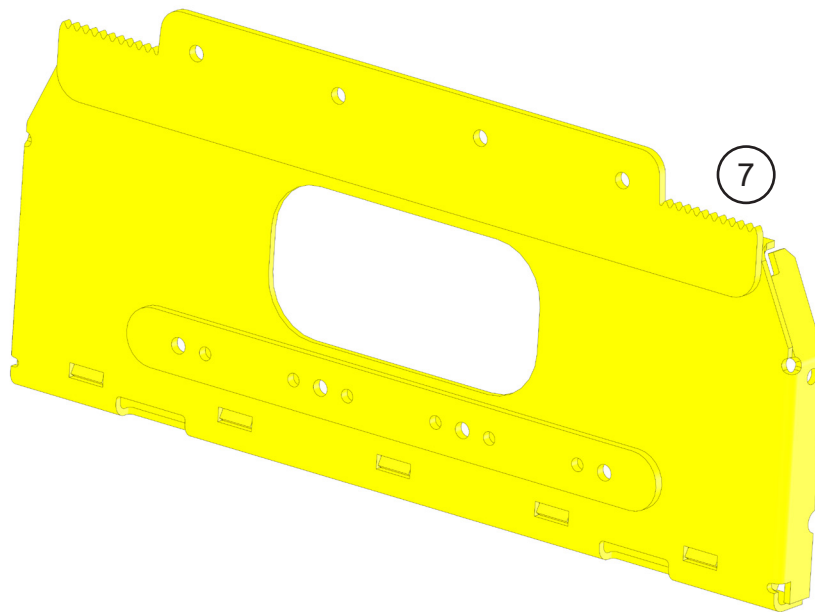
ITEM	QTY	PART NUMBER	DESCRIPTION
1	1	6810052	Connector Assembly - 14 Pin
2	1	6810053	Connector Assembly - 8 Pin
3	6	6810054	Connector Assembly - 2 Pin
4	1	6810055	Connector Assembly - 8 Pin
5	1	6810056	Connector Assembly - 6 Pin
6	2	6810007	Dust Cap

# EXCAVATOR AND SKID STEER MOUNTING LUGS

## Excavator Mounting Lugs



## Skid Steer Mount



# EXCAVATOR AND SKID STEER MOUNTING LUGS

ITEM	QTY	PART NUMBER	DESCRIPTION
1	1	*	Wtmg Lugs
2	1	*	Wldt Pin - Linkage Pin
3	1	*	Wldt Pin - Stick Pin
4	2	*	Flat Washer Narrow
5	2	*	Hex Head Capscrew
6	1	6400039	Decal Stick Pin - 3rd Member Only
7	1	5517797	Wldt Skid Steer Mount

\* Part numbers are Serial Number specific. For replacement parts call the Genesis Parts Department.

**USA**  
715-395-3488

**Europe**  
+49 83 31 9 25 98 0

## BOLT TORQUE SPECIFICATIONS

Reference the product Thread Treatment Diagrams beginning on page 47 to determine whether to use wet or dry torque values for specific bolts.

Reference Procedures on page 49 for threadlocker or anti-seize application and bolt and bolt hole cleaning.

Prior to torquing, clean all bolt holes, bolts and nuts to remove dirt, grease and oil, and identify bolt type.

Never re-torque bolts that use Loctite. If a bolt becomes loose or damaged after the initial use when Loctite was applied and the bolt was torqued, the bolt must be replaced.

Never break tightened bolts loose with a torque wrench. Doing so may break the torque wrench or take it out of calibration.

Torque wrenches should be calibrated on an annual basis.

When using a torque multiplier with a torque wrench, incorrect settings will be multiplied by the ratio of the torque wrench.

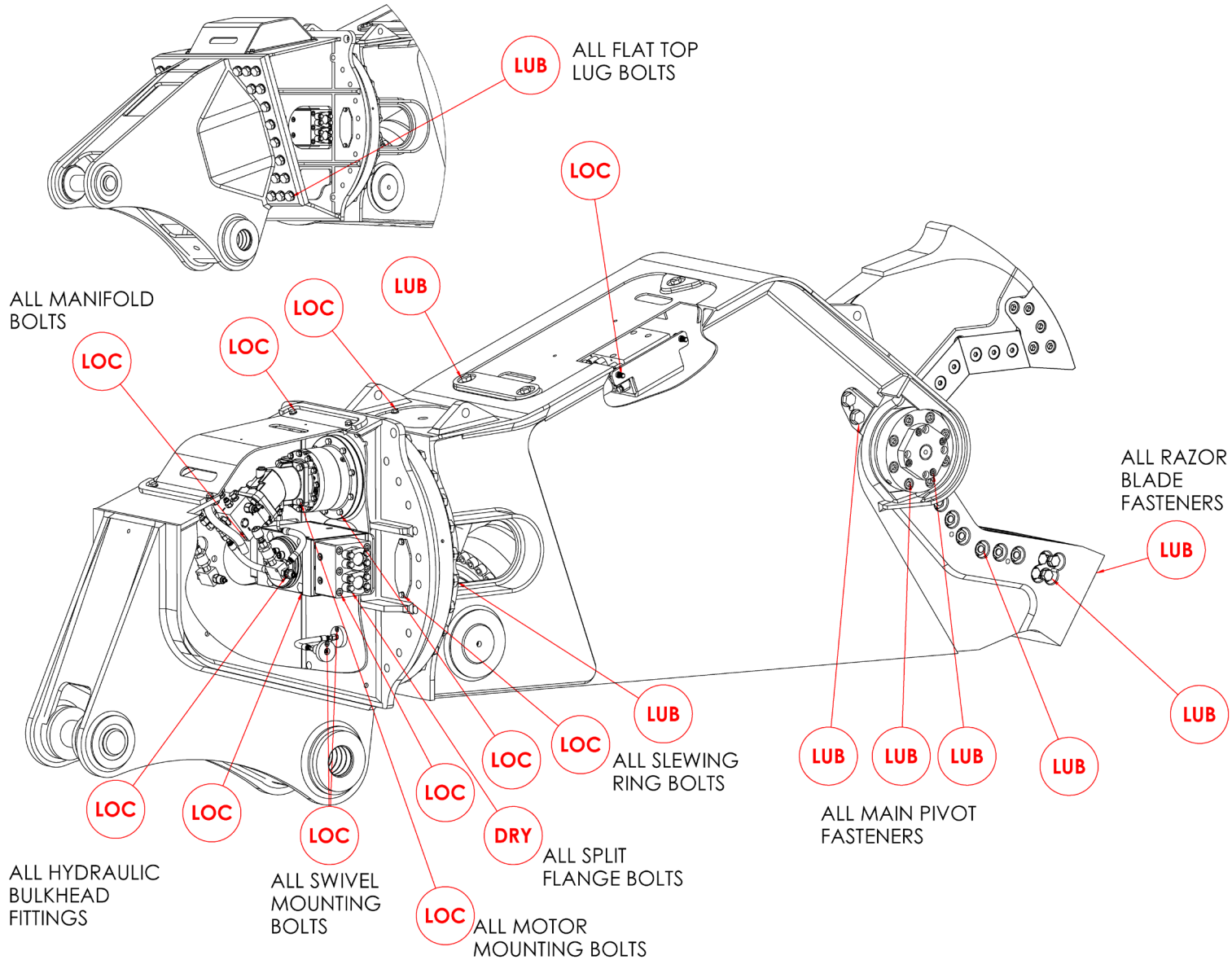
Never use an impact driver on a torque multiplier.

# THREAD TREATMENT DIAGRAM

## Mobile Shears

Use this diagram to determine what thread treatment, if any, is required for each fastener.

For thread treatment application procedures, see page 49. For prescribed torque values, see page 51.

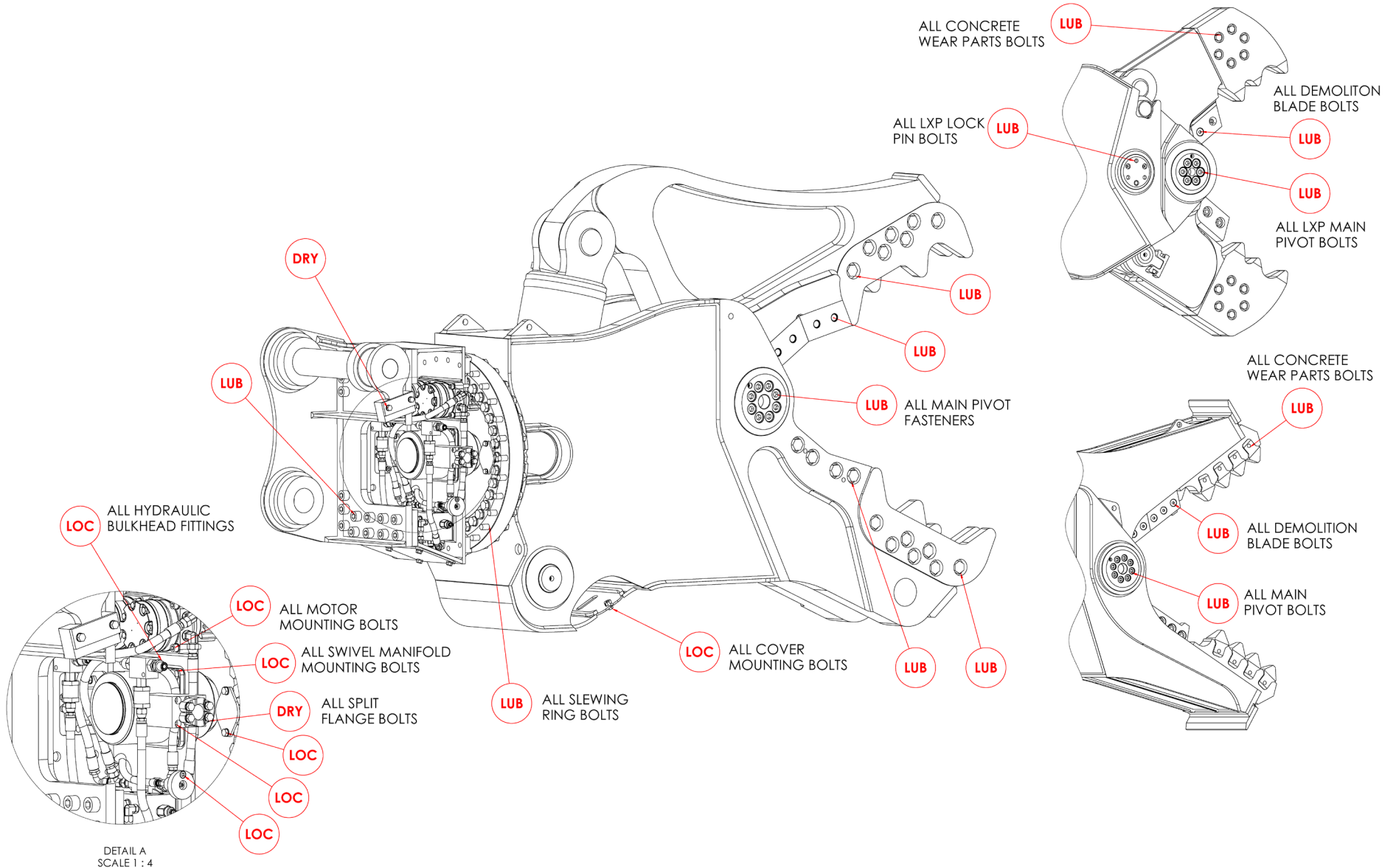


# THREAD TREATMENT DIAGRAM

## Processors

Use this diagram to determine what thread treatment, if any, is required for each fastener.

For thread treatment application procedures, see page 49. For prescribed torque values, see page 51.





# PROCEDURES

Reference the product Thread Treatment Diagrams beginning on page 47 to determine which of the following procedures is required.

## Cleaning

To ensure proper performance of thread treatment and accurate torque values, clean and degrease **all internal and external threads** prior to application of threadlocker, anti-seize or primer and before installation of hardware.

- Ensure both internal and external threads are free of dirt or debris.
- Use brake cleaner or similar cleaning solvent on all threads to remove any grease or oil.
- Allow threads to dry.

## NOTICE

Failure to properly clean threads will cause threadlocker, primer, and/or anti-seize to not properly cure!

LOC

## Threadlocker

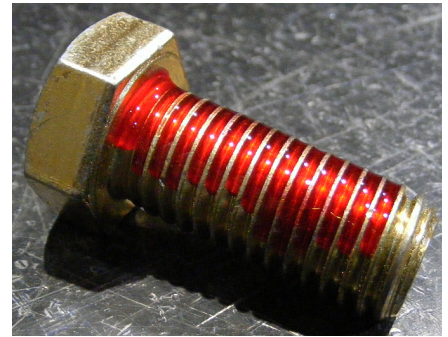
For bolted connections requiring threadlocker, use **Loctite 263** or equivalent applied using the following procedure:

- Clean and degrease all threads.
- For thru holes or nuts, apply threadlocker to bolt threads.
- For blind holes, apply stripe of threadlocker along the length of the hole (applying to the bolt can cause escaping air to remove threadlocker as the bolt is inserted).
- Torque bolt to specified **Wet Torque Value**, see page 51.

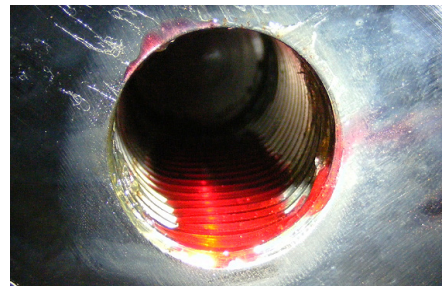
For threaded hydraulic fitting connections, use **Loctite 5452** or equivalent thread sealant in conjunction with **Loctite 7471** primer using the following procedure:

- Clean and degrease all threads.
- Apply Loctite 7471 primer to both external and internal threads and allow to dry.
- Apply threadlocker to 360 degrees of the threads on the male fitting, ensuring adequate coverage.
- Assemble fitting per directions in operator's manual.
- For O-ring boss and flat face O-ring connections, torque fittings to values specified on page 52.

Threadlocker



Blind Hole



Hydraulic Fitting



# PROCEDURES

LUB

## Anti-Seize

For bolted connections requiring anti-seize lubrication, use **Loctite LB8008** or equivalent using the following procedure:

- Clean and degrease all threads.
- Apply thin coat of anti-seize to internal and external threads and under bolt head and/or nut, ensuring complete coverage.
- Torque bolt to specified **Wet Torque Value**, see page 51.

Anti-Seize

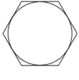
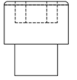
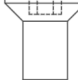


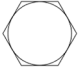
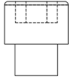
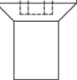
DRY

## No Thread Treatment

- Clean and degrease all threads.
- Torque bolt to specified **Dry Torque Value**, see page 51.

# BOLT TORQUE SPECIFICATIONS

<b>Dry Torque Values</b>						
		Hex/Socket Head		Flat Head		
						
Fastener Grade	Size x Pitch	Nm	Ft-lb	Nm	Ft-lb	
CL 10.9	M8 x 1.25	35	26	27	20	
	M10 x 1.50	71	53	58	42	
	M12 x 1.75	124	92	101	73	
	M14 x 1.50	200	148	163	118	
	M14 x 2.00	200	148	163	118	
	M16 x 2.00	311	230	254	184	
	M20 x 1.50	610	450	498	360	
	M20 x 2.50	608	449	497	359	
	M24 x 3.00	1054	778	861	622	
	M27 x 3.00	1543	1138	1260	910	
	M30 x 3.50	2095	1545	1712	1236	
	M36 x 4.00	3659	2699	2991	2159	
8	1/4-20	14	11	11	8	
	5/16-18	32	24	26	19	
	3/8-16	59	44	48	35	
	7/16-14	94	70	77	56	
	1/2-13	143	106	116	84	
	1/2-20	162	120	133	96	
	5/8-11	287	212	234	169	
	3/4-10	509	376	415	300	
	7/8-9	821	606	670	484	
	1.00-8	1232	909	1007	727	
	1.00-14	1383	1020	1130	816	
	1.25-7	2463	1817	2013	1453	
8/L9	1.50-6	4287	3162	3504	2529	

<b>Wet Torque Values</b>						
		Hex/Socket Head		Flat Head		
						
Fastener Grade	Size x Pitch	Nm	Ft-lb	Nm	Ft-lb	
CL 10.9	M8 x 1.25	29	22	23	17	
	M10 x 1.50	61	45	49	36	
	M12 x 1.75	105	78	85	62	
	M14 x 1.50	150	111	121	88	
	M14 x 2.00	170	126	138	100	
	M16 x 2.00	265	196	216	156	
	M20 x 1.50	456	337	372	269	
	M20 x 2.50	517	382	422	305	
	M24 x 3.00	894	660	731	528	
	M27 x 3.00	1312	968	1072	774	
	M30 x 3.50	1779	1312	1453	1049	
	M36 x 4.00	3110	2294	2542	1835	
8	1/4-20	13	10	11	8	
	5/16-18	27	20	22	16	
	3/8-16	50	37	40	29	
	7/16-14	80	59	65	47	
	1/2-13	122	90	99	72	
	1/2-20	138	102	112	81	
	5/8-11	244	180	199	144	
	3/4-10	433	320	354	256	
	7/8-9	698	515	570	412	
	1.00-8	1046	772	854	617	
	1.00-14	1175	867	960	693	
	1.25-7	2095	1545	1712	1236	
8/L9	1.50-6	3644	2688	2979	2150	

# O-RING BOSS & FLAT FACE O-RING TORQUE SPECIFICATIONS

O-Ring Boss Torque Values		
Size Dash	Nm	Ft-lb
-4	22	16
-5	27	20
-6	36	26
-8	83	60
-10	110	80
-12	187	135
-14	249	180
-16	304	220
-20	387	280
-24	498	360

Flat Face O-Ring Torque Values		
Size Dash	Nm	Ft-lb
-4	18	13
-6	30	22
-8	60	44
-10	85	62
-12	121	88
-14	121	88
-16	160	116
-20	213	154
-24	274	198

# BOLT DRIVE SPECIFICATIONS

Thread Size x Pitch	Hex Head	Socket Head	Flat Head
			
<b>Wrench/Drive Size</b>			
M8 x 1.25	13mm	6mm	5mm
M10 x 1.50	17mm	8mm	6mm
M12 x 1.75	19mm	10mm	8mm
M14 x 1.50	22mm	12mm	10mm
M14 x 2.00	22mm	12mm	10mm
M16 x 2.00	24mm	14mm	10mm
M20 x 1.50	30mm	17mm	12mm
M20 x 2.50	30mm	17mm	12mm
M24 x 3.00	36mm	19mm	14mm
M27 x 3.00	41mm	19mm	-
M30 x 3.50	46mm	22mm	-
M36 x 4.00	55mm	27mm	-
1/4-20	7/16"	3/16"	5/32"
5/16-18	1/2"	1/4"	3/16"
3/8-16	9/16"	5/16"	7/32"
7/16-14	5/8"	3/8"	1/4"
1/2-13	3/4"	3/8"	5/16"
1/2-20	3/4"	3/8"	5/16"
5/8-11	15/16"	1/2"	3/8"
3/4-10	1-1/8"	5/8"	1/2"
7/8-9	1-5/16"	3/4"	9/16"
1.00-8	1-1/2"	3/4"	5/8"
1.00-14	1-1/2"	3/4"	5/8"
1.25-7	1-7/8"	7/8"	7/8"
1.50-6	2-1/4"	1"	1"

# WARRANTY

## **Claim Procedure**

Notify the Genesis Service Department of the potential warranty claim prior to making the repair. Digital pictures are very helpful for diagnosing problems and recommending repairs.

Contact the Genesis Service Department before making alterations, changes or repairs to any component that is going to be considered for warranty. Not doing so will void all Genesis warranty consideration.

The Genesis Service Department will issue an authorization number to track the repair costs, outgoing parts, and/or defective parts returning to the factory.

Replacement parts must be ordered using a purchase order number. Shipping is standard ground. Overnight shipping is available by request, and Genesis will not cover the shipping charge.

When the repair is complete, submit an invoice to the Genesis Service Department within 30 days. Include itemized internal labor reporting, parts lists and invoices for outside contractors. Reference the authorization number on all invoices.

When returning parts for warranty consideration, include a copy of any related Genesis paperwork along with any other necessary documentation to ensure proper processing and credit. The Genesis Service Department will provide the necessary forms.

Your account will be credited when the warranty claim is accepted.

## **Blade Warranty**

Standard warranty on blades will only be considered on the first edge, and wear on the edge must be 1/8" radius or less. Genesis does not warranty cutting blades that are cracked or broken from top to bottom (perpendicular to the long edge of the blade). Genesis also does not cover fasteners, the labor to replace wear components or collateral damage, such as blade seats, from broken blades, the piercing blade tang or adjustment plates.

**Please direct any questions to the Genesis Service Department: 715-395-5252**

# PARTS ORDER POLICY AND PROCEDURE

## **Parts Orders Should Include**

- Purchase order number
- Model and serial number of attachment
- Part number and quantity needed
- Shipping and billing address
- Method of shipment or required delivery date

## **Placing Orders**

Orders may be placed by phone or e-mail. To e-mail an order, use the form on the following page or your purchase order form. Contact information is located at the front of this manual.

## **Part Numbers**

Part numbers are listed in a separate Parts Manual or, if included, the Parts section of this manual. Contact the Genesis Parts Department with questions regarding part numbers, availability and pricing.

## **Shipping**

All orders will be shipped best way surface unless an alternate shipping method is requested. Shipping charges are not included in the purchase price of parts.

## **Invoices**

All invoices are due upon receipt. Any accounts with invoices open beyond 60 days are subject to review and may be placed on C.O.D. status without further notice.

## **Returns**

Many unused Genesis parts may be returned with proper documentation. Return shipping is the responsibility of the purchaser. Credit will be issued upon return, less a 25% restocking fee. Documentation is required for credit of returned parts. Contact the Genesis Service Department at 715-395-5252 for an RGA (Return Goods Authorization) number and form. An RGA must accompany every return. Items shipped without an RGA may be returned to sender.

## **Warranty Returns**

All parts returned to Genesis for warranty consideration must be returned with a completed RGA (Return Goods Authorization) provided by the Genesis Service Department. The form needs to be completed in its entirety, including any additional information requested by the Service Department. Return shipping is the responsibility of the sender and will be credited upon claim approval. A determination to accept or deny the claim will be made based upon the information available to Genesis. Warranty on purchased parts other than wear components is 6 months. Genesis does not cover labor costs to replace purchased parts replaced under warranty. There is no warranty period on wear parts or components.



**PARTS ORDER FORM**

Customer: \_\_\_\_\_

Date: \_\_\_\_\_

Phone: \_\_\_\_\_

Contact: \_\_\_\_\_

Shipping Address: \_\_\_\_\_  
\_\_\_\_\_  
\_\_\_\_\_

E-mail: \_\_\_\_\_

Billing Address: \_\_\_\_\_  
\_\_\_\_\_  
\_\_\_\_\_

Purchase Order: \_\_\_\_\_

Shipping Method: \_\_\_\_\_

Model: \_\_\_\_\_

Serial Number: \_\_\_\_\_

Quantity	Part Number	Description	Price

E-mail to the Genesis Parts Department: [genesisparts@genesisattachments.com](mailto:genesisparts@genesisattachments.com)  
For assistance, call 715-395-5252



# INDEX

1081017 Metric Grease Fitting M10-1 Straight	13
1104962 Adaptor 12MB-12MO-90 (Cut down)	39, 41
1104962 Mach Fitting 12MB-12MO-90	25, 29, 35
1104963 Shim Set Blade 3 Hole	7
1104964 Shim Set Blade 2 Hole	7
3500232 Plt Cover GVP 07	5
3500244 Plate Swivel Guide	17, 29, 31
3500253 Mach Blade	7
3500339 Wldt Pin ST G7	5
3500352 Wldt Pin SH G7 T3500339	5
3500459 Mach Bushing	7, 9, 11
3500471 Shim Set	7, 9, 11
3500739 Plate Cover	15
3500750 Wtmg Lower Shear	7
3500759 Mach Upper Shear	7
3500761 Mach Main Shaft	7, 11
3500762 Mach End Cap	7, 9, 11
3500763 Mach Guide Blade Pocket	7
3500764 Mach Bearing RH/LH Main	7, 9, 11
3500765 Plate Piercing Tip	7
3500766 Mach Blade Guide	7
3500769 Mach Upper	11
3500771 Wtmg Lower	11
3500772 Wtmg Upper	9
3500777 Wtmg Lower	9
3500778 Mach Main Shaft - Grapple Pivot	9
3500844 Plate Wear Upper	7
3501017 Mach Stick GVP 07 2.25" Hook	5
3501019 Mach Pin for 2.50 Hook	7, 9, 11
3501023 Wldt Pin G7 T35000339	5
3501368 Plate Side Cover	15
3501542 Wldt Upper Head	15
5300068 Hose	31
5300158 Hose	29, 35
5300159 Hose	29, 35
5300161 Hose	37
5300169 Hose	39
5300180 Hose	35
5300181 Hose	35
5300182 Hose	35
5300374 Hose	23
5300387 Hose	25, 29
5300388 Hose	27
5300389 Hose	27
5300398 Hose	25
5300399 Hose	25
5300400 Hose	25
5300401 Hose	29
5300402 Hose	31
5300403 Hose	31
5300404 Hose	31
5300405 Hose	29
5517797 Wldt Skid Steer Mount	45
6200002 Grease Fitting	5, 7, 9, 11, 15
6200066 Dowel Pin	7, 9, 11
6300018 Adaptor 06MB-06MO	23, 33, 41
6300054 Plug Socket Head 08MB	41
6300076 Plug Socket Head 04MB	19, 21, 41
6300101 Adaptor Bulkhead 12MO-12MO	25, 29, 31
6300365 Diagnostic Nipple 04MB	19, 21
6300441 Adaptor 12MB-12MO	21, 29, 35, 39, 41
6300878 Bearing Slewing	15
6301030 Adaptor Bulkhead Nut -	12 39
6310001 Diagnostic Nipple Dust Cap	19, 21
6310006 Reducer 12FOX-06MO	31
6310025 Quick Coupling 1/2" Female - 10FB	39
6310026 Quick Coupling 1/2" Male - 10FB	39
6310034 Adaptor 12MB-12MO-45	25, 35, 41
6310035 Adaptor 06MB-06MO-45	21, 31, 37
6310041 Adaptor 06MB-06MO-90	27, 31
6310046 Adaptor 16MB-16MO	21, 29, 35
6310047 Adaptor 10MB-12MO	39
6310092 Adaptor Run Tee 12FOX-12MO-12MO	29, 31
6310105 Adaptor 06MB-04MO-90	37, 41
6310149 Adaptor Bulkhead 06MO-06MO	23, 27, 31
6330085 Assy Tube Hyd 12-.120-12MBulkhead-12FOX (Return)	39
6330086 Assy Tube Hyd 12-.120-12MBulkhead-12FOX (Pressure)	39
6330087 Assy Tube Hyd 04-049-04FOX-04FOX	37
6330088 Assy Tube Hyd 06-.049-06FOX-06FOX (M1- V2)	33
6330089 Assy Tube Hyd 06-.049-06FOX-06FOX (M2- V1)	33
6340004 Motor, Rotate	15, 23, 27, 33
6350004 Assembly Swivel Manifold	17
6360006 Valve Rotate Cross-over / C'bal Manifold	19
6360007 Manifold Valve Regen with Over-ride	21
6360008 Valve Control Cylinder / Motor	41
6380026 Valve Counter-balance	21
6380028 Valve Check	21
6380029 Valve Logic Element	21
6380030 Valve Shuttle	21
6380031 Orifice Screen	21
6380032 Valve Counter-balance	19
6380033 Valve Cross-over	19
6380041 Valve Solenoid 3P-4W	41
6380042 Valve Solenoid 2P-2W NC	41
6380043 Valve Pressure Reducing / Relieving	41
6380044 Valve Solenoid 2P-2W NO	41
6380045 Valve Flow Control	41
6380046 Valve Check Assembly	41
6380047 Valve Pilot 3P-4W	41
6380054 Plug Socket Head 08MB	21
6380063 Valve Counter-balance	21
6380067 Valve Check	31
6400039 Decal Stick Pin - 3rd Member Only	45
6400201 Decal Kit GVP 07	5
6810007 Dust Cap	43
6810052 Connector Assembly - 14 Pin	43
6810053 Connector Assembly - 8 Pin	43
6810054 Connector Assembly - 2 Pin	43

# INDEX

- 6810055 Connector Assembly - 8 Pin 43  
6810056 Connector Assembly - 6 Pin 43  
6880002 Valve Solenoid Coil 41  
6880003 Spacer Coil 41  
6880004 Valve Solenoid Coil 41  
20000702 Wtmg, Lower Jaw 13  
20000703 Wtmg, Upper Jaw 13  
20000704 Mach Blade - Wire Cutter 13  
20000711 Mach Bushing 13  
20000712 Mach Thrust Washer 13  
20000713 Mach Pin 13  
20000714 Mach Bushing 13  
20000715 Spring Washer 13  
Assembly Cracker - 3500748 10  
Assembly Cylinder B6.00 R4.00 S14.50 - 6350003 25, 29, 31  
Assembly Grapple - 3500749 9  
Assembly Shear - 3500747 6, 7  
Assembly Stick - 3501022 4, 5  
Assembly Upper Head - 3500700 14, 15  
Assembly Wire Cutter - 3000701 12, 13  
Bolt Drive Specifications 53  
Bolt Torque Specifications 46, 51  
Contact Information 2, 59  
Electric Over Hydraulic - Control Harness 6830024 42, 43  
Electric Over Hydraulic - Open & Close Circuit 34, 35  
Electric Over Hydraulic - Pressure & Return Circuit 38, 39  
Electric Over Hydraulic - Regen Over-ride Circuit 36, 37  
Electric Over Hydraulic - Rotate Circuit 32, 33  
Electric Over Hydraulic - Valve Control Cylinder/Motor 40, 41  
Excavator and Skid Steer Mounting Lugs 44, 45  
F0112030 Hex Head Capscrew M12 x 1.75 x 30 17, 23, 25, 27, 29, 31  
F0114040 Hex Head Capscrew M14 x 2.0 x 40 15, 33  
F0114070 Hex Head Capscrew M12 x 2.0 x 70 15  
F0225150 Hex Head Capscrew ¼ - 20 x 1½ 31  
F0231100 Hex Head Capscrew 5/16 - 18 x 1 5, 15  
F0231300 Hex Head Capscrew 5/16 - 18 x 3 23, 27, 33  
F0238175 Hex Head Capscrew ⅜ - 16 x 1¾ 25, 29  
F0238300 Hex Head Capscrew ⅜ - 16 x 3 29, 31, 35  
F0238350 Hex Head Capscrew ⅜ - 16 x 3½ 25  
F0250100 Hex Head Capscrew ½ - 13 x 1 5, 17, 29, 31  
F0275175 Hex Head Capscrew ¾ - 10 x 1¾ 15  
F0550200 Flat Head Capscrew ½ - 13 x 2 7  
F0616040 Socket Head Capscrew M16 x 2 x 40 7, 9, 11  
F0620040 Low Head Socket Capscrew M20 x 2.50 x 40 13  
F0903816 Hex Nut ⅜ - 16 25  
F0905013 Hex Nut ½ - 13 7  
F1201224 Flat Washer M12 17, 23, 25, 27, 29, 31  
F1201428 Flat Washer M14 15, 33  
F1300025 Flat Washer ¼ 31  
F1300032 Flat Washer Narrow 5/16 5, 15, 33  
F1300038 Flat Washer Narrow ⅜ 25, 29, 31, 35  
F1300050 Flat Washer Narrow ½ 5, 7, 17, 29, 31  
F1300075 Flat Washer Narrow ¾ 15  
Flat Washer Narrow 45  
Full Hydraulic - No Regen - Open & Close Circuit 24, 25  
Full Hydraulic - No Regen - Rotate Circuit 22, 23  
Full Hydraulic - Open & Close Circuit 28, 29  
Full Hydraulic - Regen Circuit 30, 31  
Full Hydraulic - Rotate Circuit 26, 27  
GN-F4052003 Slotted Hex Nut M52 x 3 13  
GN-F4108090 Spring Pin 8mm x 90mm 13  
GN-F29552000 Washer 13  
H0261075 Split Flange Half ¾ 25  
H0261100 Split Flange Half 1.00 25, 29, 35  
Hex Head Capscrew 45  
Jam Nut 1.00-12 15  
O-Ring Boss & Flat Face O-Ring Torque Specifications 52  
Parts Order Form 56  
Parts Order Policy and Procedure 55  
Pinion, 17 Tooth 15  
Procedures 49, 50  
S0170251 O-Ring 7, 9, 11  
S0190214 O-Ring 21, 25  
S0190219 O-Ring 25, 29, 35  
SK00002 Seal Kit for 6380026 21  
SK00019 Seal Kit for 6380063 21  
SK00020 Seal Kit for 6380028 21  
SK00021 Seal Kit for 6380029 21  
SK00025 Seal Kit for 6380033 19  
SK00038 Seal Kit 17  
SK00051 Seal Kit for 6340004 15, 23, 27, 33  
SK00058 Seal Kit for 6380032 19  
SK00062 Seal Kit for 6380041 41  
SK00063 Seal Kit for 6380042 41  
SK00064 Seal Kit for 6380047 41  
SK00065 Seal Kit for 6380043 41  
SK00067 Seal Kit for 6380045 41  
Sub-Assembly Swivel Manifold 16, 17, 25, 29, 31  
Sub-Assembly Valve Regen with Over-ride 20, 21, 31  
Sub-Assembly Valve Rotate Cross-over / C'bal 18, 19  
Swivel Manifold Sub-Assembly 35, 37  
Table of Contents 3  
Thread Treatment Diagram 47, 48  
Valve Control - Cylinder / Motor 39  
Valve Regen with Over-ride 29, 35, 37  
Valve Rotate Cross-over / C'bal Manifold 23, 27, 33  
Warranty 54  
Wldt Pin - Linkage Pin 45  
Wldt Pin - Stick Pin 45  
Wtmg Lugs 45



**GENESIS®**

The Promise of Performance.

## CONTACT INFORMATION

### Genesis Attachments

1000 Genesis Drive  
Superior, WI 54880 USA

Toll Free: 888-SHEAR-IT  
(888-743-2748)

Phone: 715.395.5252

E-mail:  
info@genesisattachments.com

### Europe/Africa/Middle East Genesis GmbH

Teramostrasse 23  
87700 Memmingen, Germany

Phone: +49 83 31 9 25 98 0

Fax: +49 83 31 9 25 98 80

genesis-europe.com

E-mail:  
info@genesis-europe.com

### Asia Pacific Representative Office

24 Upper Serangoon View #12-28  
Singapore 534205

Phone: +65 9673 9730

E-mail:  
tchoo@genesisattachments.com

### Central America & Colombia

Cra 13A #89-38 / Ofi 613  
Bogota, Colombia

Phone: +57 1 610 8160 / 795 8747

E-mail:  
contact@themsagroup.com

View and download all manuals: [genesisattachments.com/manuals](http://genesisattachments.com/manuals)  
Patents: [genesisattachments.com/products/patents](http://genesisattachments.com/products/patents)