



# Hydraulic Breaker (GHB 8000)

## PARTS MANUAL



## CONTACT INFORMATION

### Genesis Attachments

1000 Genesis Drive  
Superior, WI 54880 USA

Toll Free: 888-SHEAR-IT  
(888-743-2748)

Phone: 715.395.5252

E-mail:  
info@genesisattachments.com

### Europe/Africa/Middle East Genesis GmbH

Teramostrasse 23  
87700 Memmingen, Germany

Phone: +49 83 31 9 25 98 0  
Fax: +49 83 31 9 25 98 80  
genesis-europe.com

E-mail:  
info@genesis-europe.com

### Asia Pacific Representative Office

24 Upper Serangoon View #12-28  
Singapore 534205

Phone: +65 9673 9730

E-mail:  
tchoo@genesisattachments.com

### Central America & Colombia

Cra 13A #89-38 / Ofi 613  
Bogota, Colombia

Phone: +57 1 610 8160 / 795 8747

E-mail:  
contact@themsagroup.com

View and download all manuals: [genesisattachments.com/manuals](http://genesisattachments.com/manuals)  
Patents: [genesisattachments.com/products/patents](http://genesisattachments.com/products/patents)

# TABLE OF CONTENTS

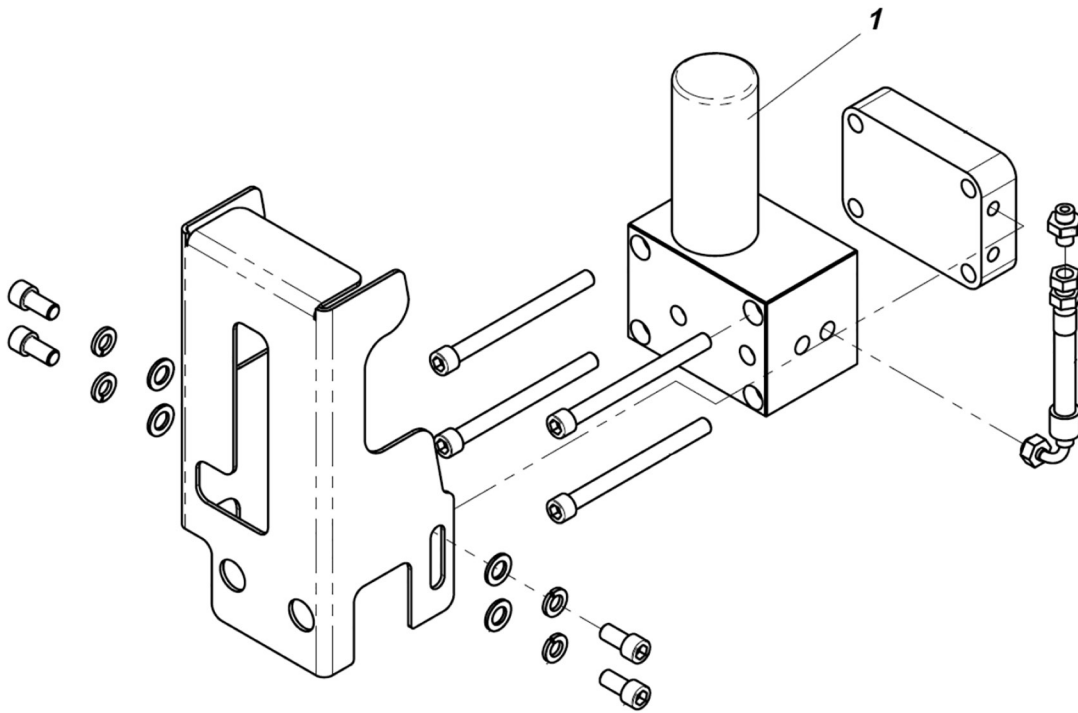
CONTACT INFORMATION .....	2
HOUSING ASSEMBLY .....	4
AUTO GREASE CARTRIDGE .....	6
HAMMER ASSEMBLY .....	8
BACK HEAD ASSEMBLY .....	10
CYLINDER ASSEMBLY .....	12
FRONT HEAD ASSEMBLY .....	14
ACCUMULATOR ASSEMBLY .....	16
GAS CHARGING KIT .....	18
WARRANTY .....	19
PARTS ORDER POLICY AND PROCEDURE .....	20
PARTS ORDER FORM .....	21
INDEX .....	22
CONTACT INFORMATION .....	23



## HOUSING ASSEMBLY

ITEM	QTY	PART NUMBER	DESCRIPTION
1	1	07-9073	Housing
2	1	07-8900	Top Plate
3	1	07-9074	Base Buffer
4	1	07-8902	Top Buffer
5	1	07-8905	Top Wearing Plate
6	1	07-8906	Top Plate Assembly
7	4	07-8891	Wearing Plate
8	1	07-9075	Wearing Plate
9	1	07-8895	Wearing Plate
10	1	07-9076	Wearing Plate
11	1	07-8901	Cover Plate 3
12	1	07-9077	Cover Plate 1
13	1	07-9078	Cover Plate 2
14	2	07-8889	Rubber (In, Out)
15	2	07-8907	Rubber Grease
16	4	07-8908	Rubber Plug
17	2	07-8909	Rubber Plug
18	18	07-8913	Hex Bolt
19	18	07-8927	Lock Washer
20	12	07-8916	Hex Bolt
21	24	07-8924	Flat Washer
22	12	07-8931	Lock Washer
23	12	07-8920	Nylon Lock Nut
24	1	07-9079	Front Block
25	1	07-9080	Front Plate
26	1	07-9081	Stopper
27	1	07-8912	Hex Bolt
28	2	07-8917	Hex Nut
29	1	07-8890	Rubber Plug
30	2	07-8892	Rubber Plug
31	1	07-9082	Shim Plate
32	1	07-9083	Pin
33	2	07-8899	Toolpin Stop
34	1	07-9084	Housing Toolpin Cover
35	8	07-8925	Socket Bolt
36	8	07-8928	Lock Washer

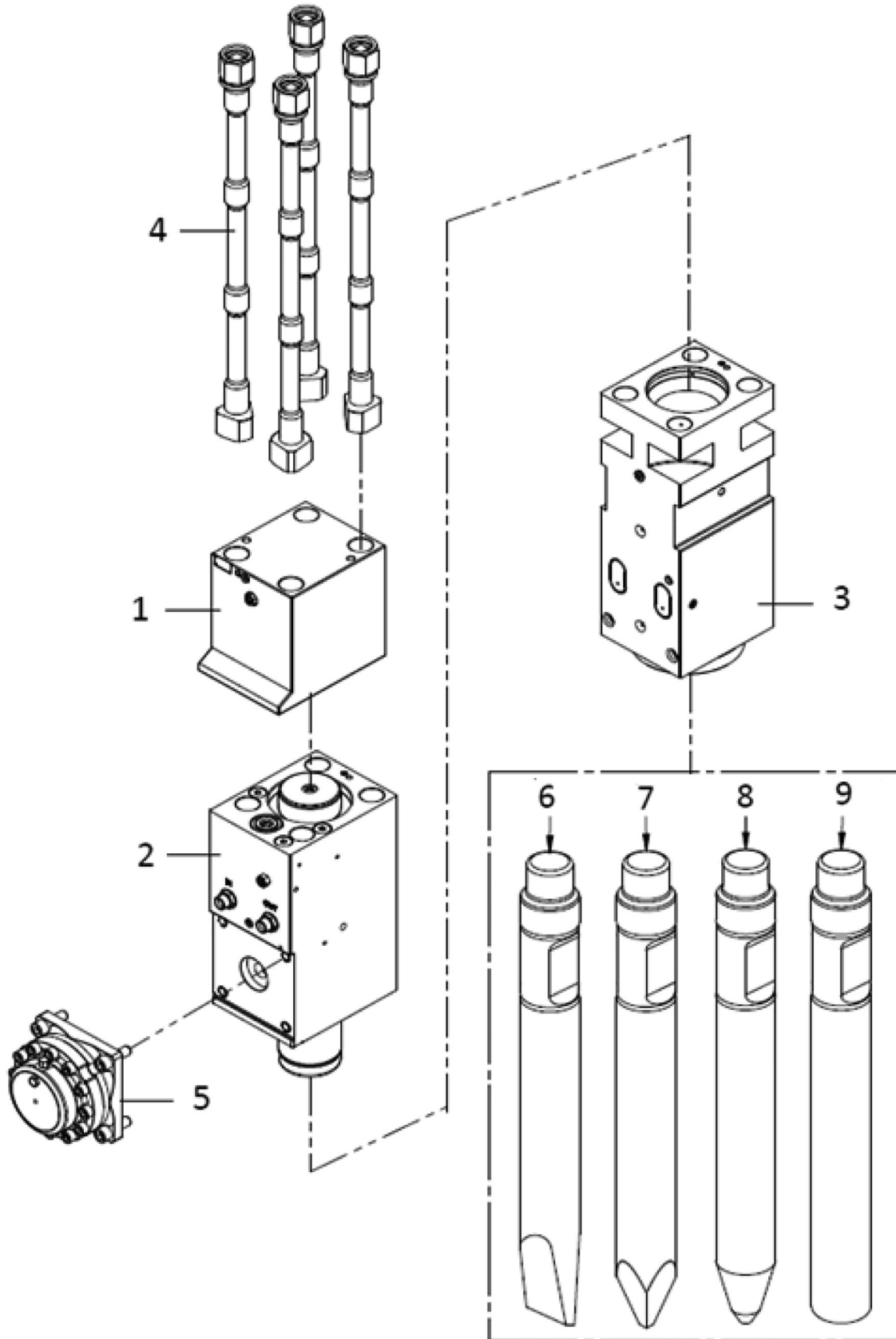
# AUTO GREASE CARTRIDGE



## AUTO GREASE CARTRIDGE

ITEM	QTY	PART NUMBER	DESCRIPTION
1	1	07-8932	Auto Grease Pump Assembly
	1	07-8933	Replacement Grease Cartridge
	1	07-9302	Replacement Grease Cartridge - 20 count

# HAMMER ASSEMBLY

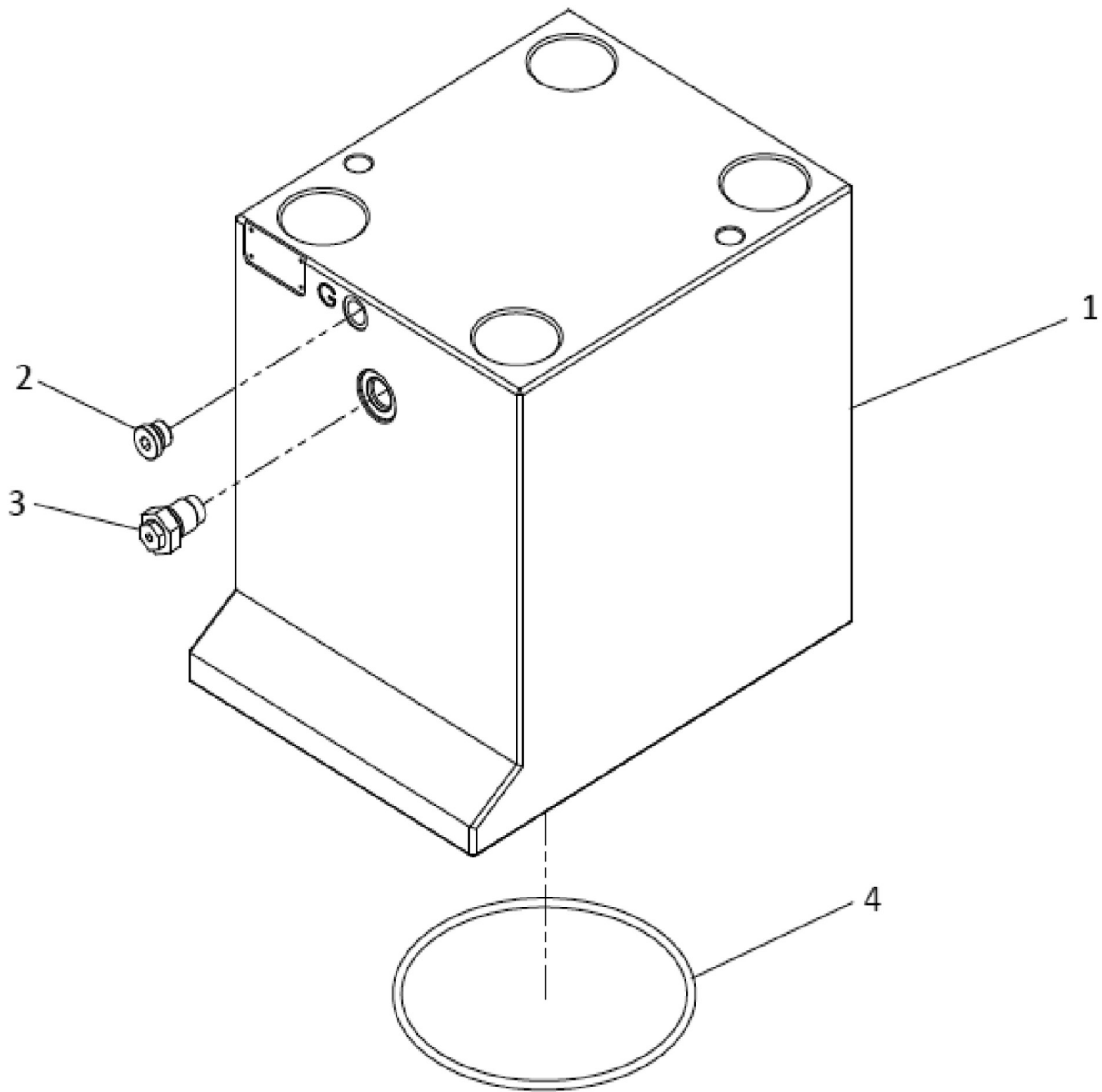




## HAMMER ASSEMBLY

ITEM	QTY	PART NUMBER	DESCRIPTION
1	1	07-8776	Back Head Group
2	1	07-8778	Cylinder Group
3	1	07-8786	Front Head Group
4	4	07-8794	Side Rod Group
5	1	07-8801	Accumulator Group
6	1	07-8850	Chisel Tool
7	1	07-8864	Moil Tool
8	1	07-8857	Cone Tool
9	1	07-8843	Blunt Tool
	1	07-8802	Seal Kit

# BACK HEAD ASSEMBLY

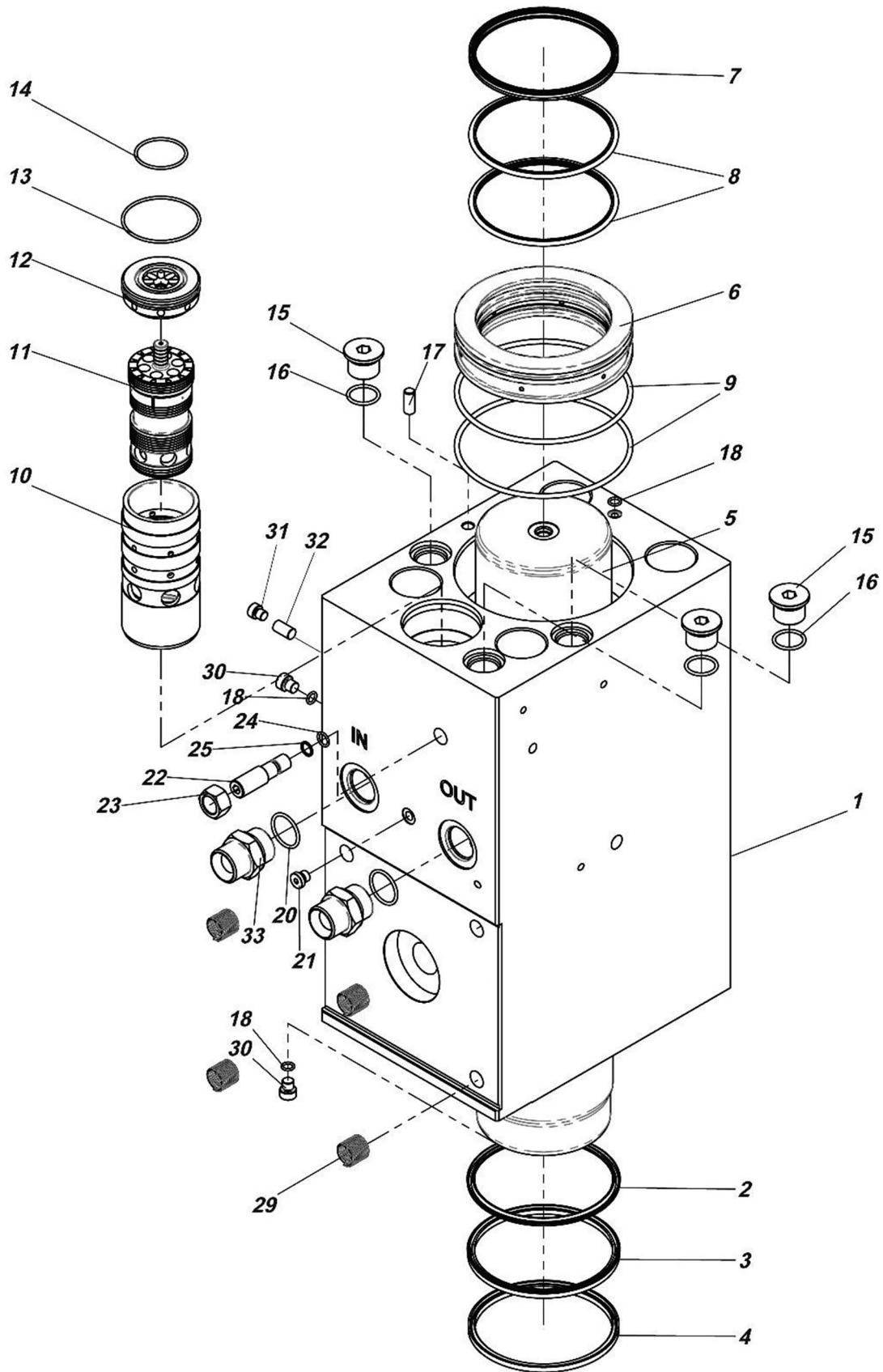


## BACK HEAD ASSEMBLY

ITEM	QTY	PART NUMBER	DESCRIPTION
1	1	07-8777	Back Head
2	1	07-8446	Socket Plug
3	1	07-8429	Gas Charging Valve Assembly
4	1	*	O-Ring (Part of Seal Kit)

\* Not Sold Separately. See Hammer Assembly for Seal Kit.

# CYLINDER ASSEMBLY

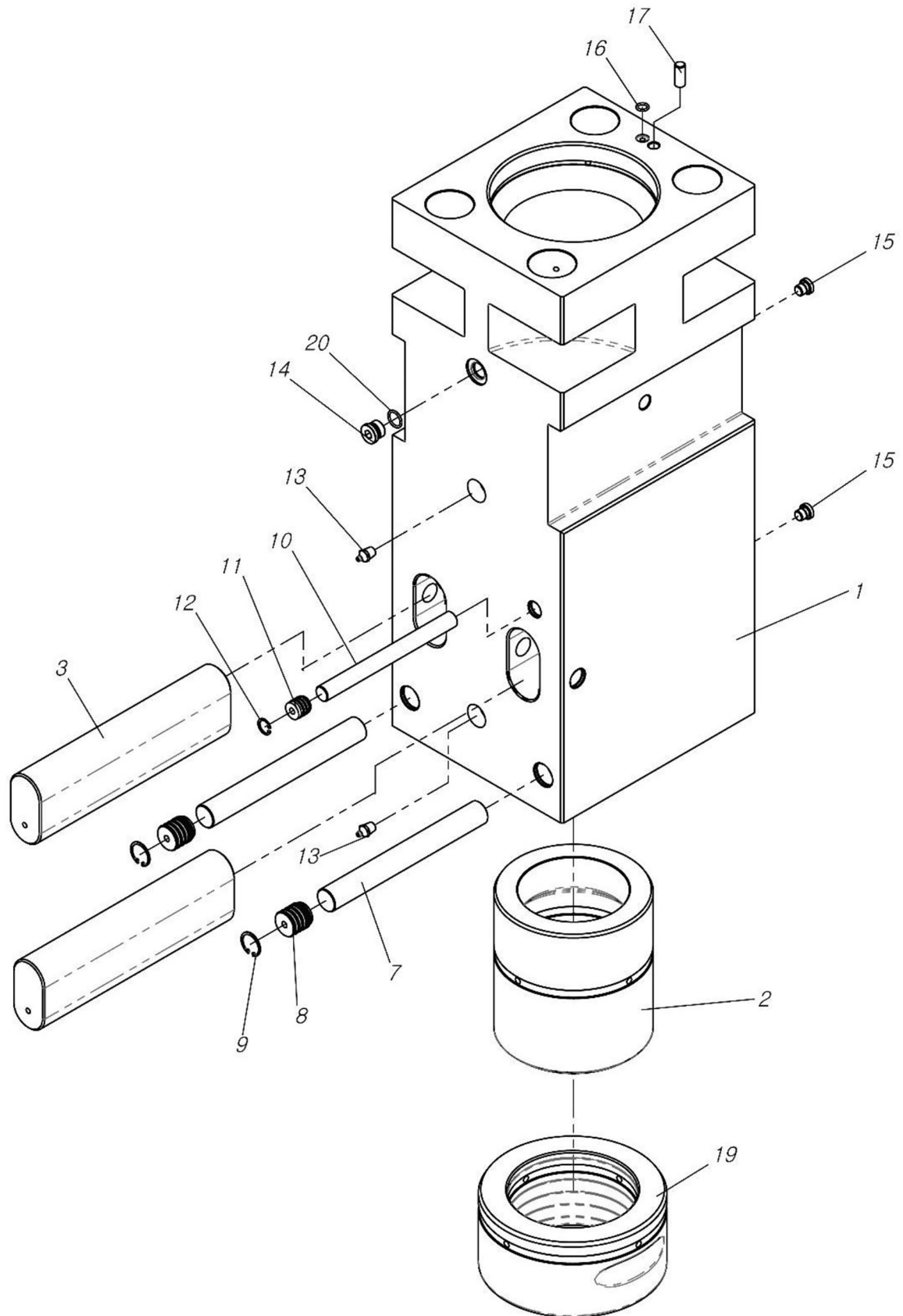


## CYLINDER ASSEMBLY

ITEM	QTY	PART NUMBER	DESCRIPTION
1	1	07-8779	Cylinder
2	1	*	Buffer Ring (Part of Seal Kit)
3	1	*	U-Packing (Part of Seal Kit)
4	1	*	Wiper (Part of Seal Kit)
5	1	07-8780	Piston
6	1	07-8781	Seal Housing
7	1	*	Gas Seal (Part of Seal Kit)
8	2	*	Step Seal (Part of Seal Kit)
9	2	*	O-Ring (Part of Seal Kit)
10	1	07-8782	Valve Spool Guide
11	1	07-8783	Spool
12	1	07-8784	Spool Cover
13	1	*	O-Ring (Part of Seal Kit)
14	1	*	O-Ring (Part of Seal Kit)
15	3	07-8430	Socket Plug
16	3	*	O-Ring (Part of Seal Kit)
17	1	07-8414	Guide Pin
18	3	*	O-Ring (Part of Seal Kit)
19	2	07-8785	Adapter
20	2	*	O-Ring (Part of Seal Kit)
21	1	07-8443	Socket Plug
22	1	07-8431	Adjust Bolt
23	1	07-8424	Adjust Nut
24	1	*	O-Ring (Part of Seal Kit)
25	1	*	Backup Ring (Part of Seal Kit)
29	4	07-8433	Heli Coil
30	2	07-8415	Socket Plug
31	1	07-8408	Metric Hollow Hex Plug
32	1	07-8407	Auto Shut-off Pin

\* Not Sold Separately. See Hammer Assembly for Seal Kit.

# FRONT HEAD ASSEMBLY

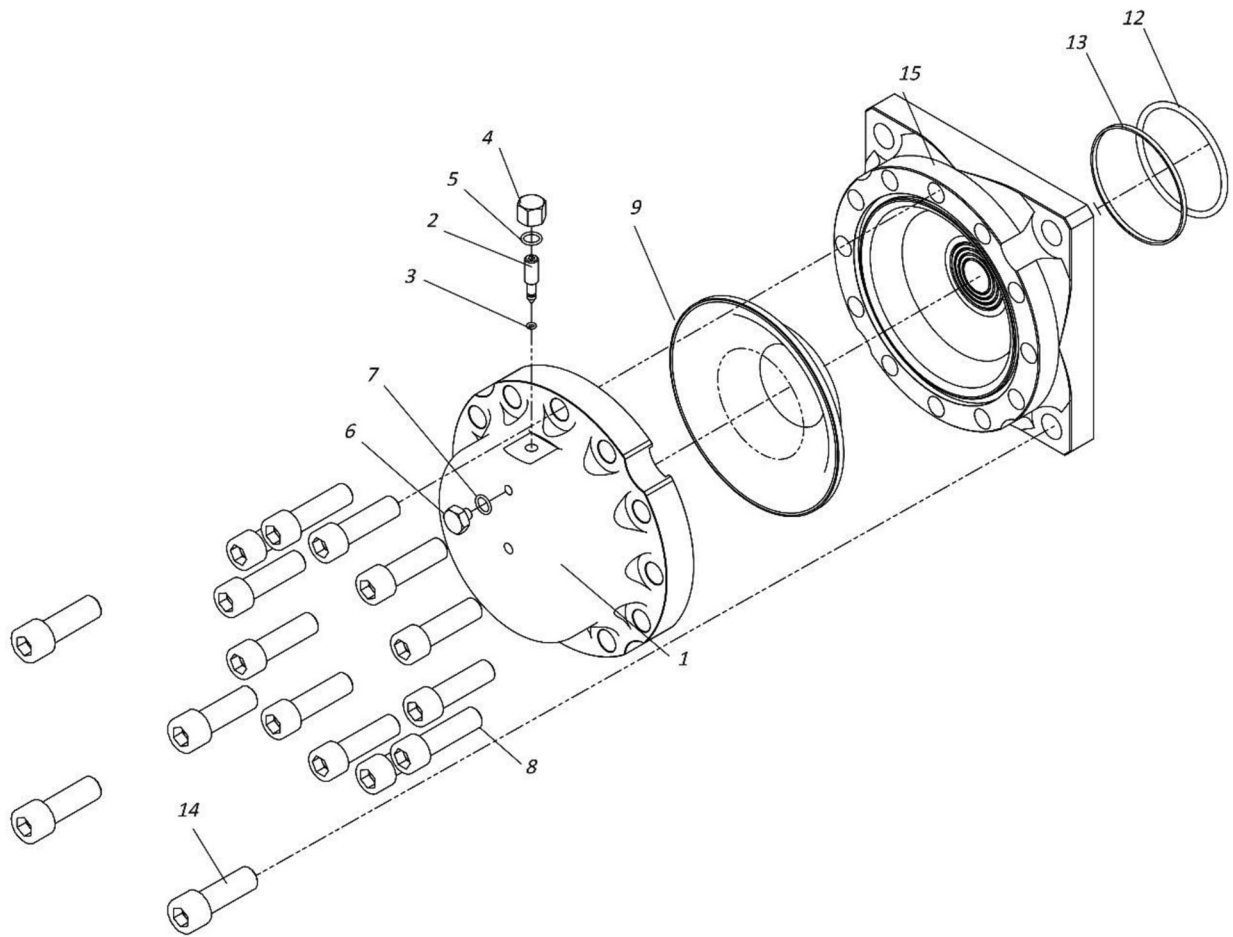


## FRONT HEAD ASSEMBLY

ITEM	QTY	PART NUMBER	DESCRIPTION
1	1	07-8787	Front Head
2	1	07-8788	Upper Bushing
3	2	07-8789	Tool Pin
7	2	07-8790	Bushing Pin
8	2	07-8791	Rubber Plug
9	2	07-8792	Snap Ring
10	1	07-8413	Upper Bushing Pin
11	1	07-8436	Rubber Plug
12	1	07-8435	Snap Ring
13	2	07-8445	Grease Nipple
14	1	07-8444	Socket Plug
15	2	07-8443	Socket Plug
16	1	*	O-Ring (Part of Seal Kit)
17	1	07-8414	Guide Pin
19	1	07-8793	Tool Bushing (Box)

\* Not Sold Separately. See Hammer Assembly for Seal Kit.

# ACCUMULATOR ASSEMBLY



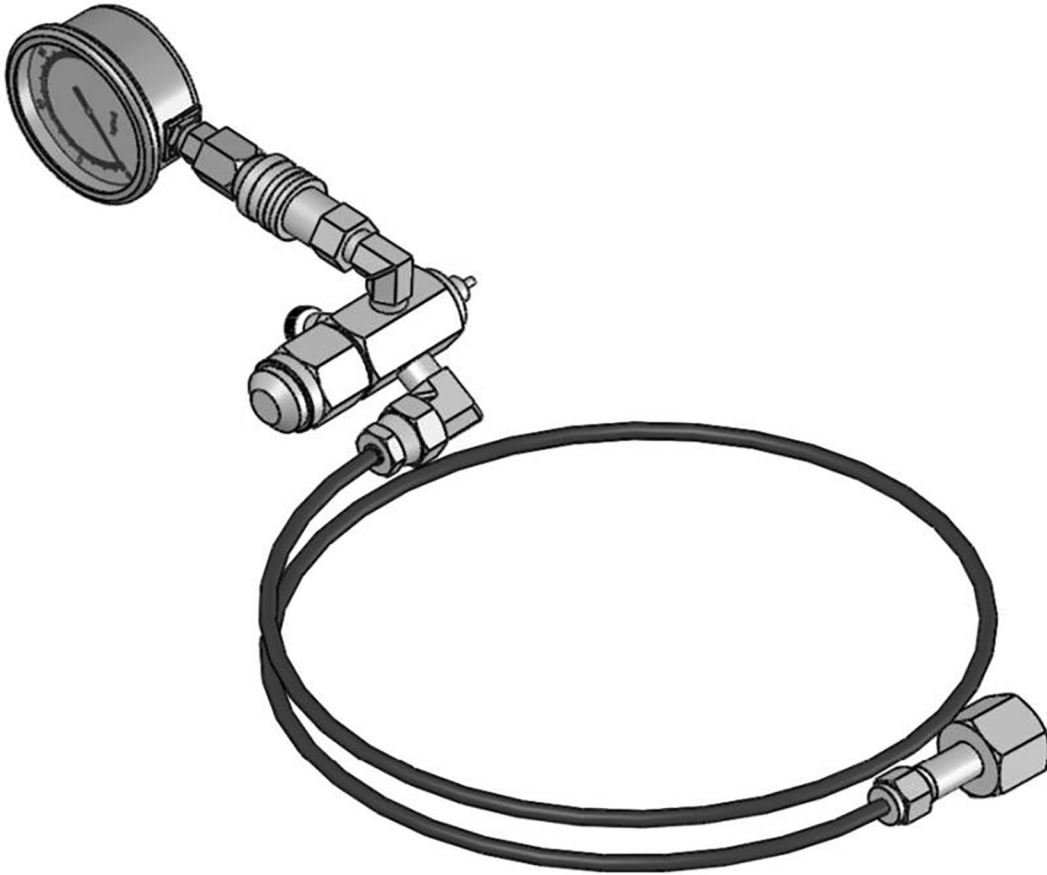


## ACCUMULATOR ASSEMBLY

ITEM	QTY	PART NUMBER	DESCRIPTION
1	1	07-8417	Accumulator Cover
2	1	07-8426	Gas Charging Bolt
3	1	*	O-Ring (Part of Seal Kit)
4	1	07-8427	Gas Charging Cap
5	1	*	O-Ring (Part of Seal Kit)
6	1	07-8416	Plug
7	1	*	O-Ring (Part of Seal Kit)
8	12	07-8449	Socket Bolt
9	1	07-8419	Membrane
10	1	07-9283	Bottom Assembly
11	1	*	Inner Valve Assembly
12	1	*	O-Ring (Part of Seal Kit)
13	1	*	Backup Ring (Part of Seal Kit)
14	4	07-8450	Socket Bolt

\* Not Sold Separately. See Hammer Assembly for Seal Kit.

## GAS CHARGING KIT



ITEM	QTY	PART NUMBER	DESCRIPTION
1	1	07-9129	Gas Charging Kit

# WARRANTY

## **Claim Procedure**

Notify the Genesis Service Department of the potential warranty claim prior to making the repair. Digital pictures are very helpful for diagnosing problems and recommending repairs.

Contact the Genesis Service Department before making alterations, changes or repairs to any component that is going to be considered for warranty. Not doing so will void all Genesis warranty consideration.

The Genesis Service Department will issue an authorization number to track the repair costs, outgoing parts, and/or defective parts returning to the factory.

Replacement parts must be ordered using a purchase order number. Shipping is standard ground. Overnight shipping is available by request, and Genesis will not cover the shipping charge.

When the repair is complete, submit an invoice to the Genesis Service Department within 30 days. Include itemized internal labor reporting, parts lists and invoices for outside contractors. Reference the authorization number on all invoices.

When returning parts for warranty consideration, include a copy of any related Genesis paperwork along with any other necessary documentation to ensure proper processing and credit. The Genesis Service Department will provide the necessary forms.

Your account will be credited when the warranty claim is accepted.

**Please direct any questions to the Genesis Service Department: 715-395-5252**

# PARTS ORDER POLICY AND PROCEDURE

## **Parts Orders Should Include**

- Purchase order number
- Model and serial number of attachment
- Part number and quantity needed
- Shipping and billing address
- Method of shipment or required delivery date

## **Placing Orders**

Orders may be placed by phone, e-mail or fax. To fax an order, use the form on the following page. Contact information is located at the front of this manual.

## **Part Numbers**

Part numbers are listed in a separate Parts Manual or, if included, the Parts section of this manual. Contact the Genesis Parts Department with questions regarding part numbers, availability and pricing.

## **Shipping**

All orders will be shipped best way surface unless an alternate shipping method is requested. Shipping charges are not included in the purchase price of parts.

## **Invoices**

All invoices are due upon receipt. Any accounts with invoices open beyond 60 days are subject to review and may be placed on C.O.D. status without further notice.

## **Returns**

Unused Genesis parts may be returned with proper documentation. Return shipping is the responsibility of the purchaser. Credit will be issued upon return, less a 20% restocking fee. Documentation is required for credit of returned parts. Contact the Genesis Parts Department at 715-395-5252 for an RGA (Return Goods Authorization) number and form.

## **Return Goods Authorization**

All parts returned to Genesis for warranty consideration must be returned with a completed RGA (Return Goods Authorization) provided by the Genesis Parts Department. The form needs to be completed in its entirety, including any additional information requested by the Parts or Service Department. Return freight is the responsibility of the shipper and will be credited upon claim approval. A determination to accept or deny the claim will be made based on the information available to Genesis. Warranty on purchased parts other than wear components is 6 months. There is no warranty period on wear parts or components.



# INDEX

07-8407 Auto Shut-off Pin	13	07-8902 Top Buffer	5
07-8408 Metric Hollow Hex Plug	13	07-8905 To Wearing Plate	5
07-8413 Upper Bushing Pin	15	07-8906 Top Plate Assembly	5
07-8414 Guide Pin	13, 15	07-8907 Rubber Grease	5
07-8415 Socket Plug	13	07-8908 Rubber Plug	5
07-8416 Plug	17	07-8909 Rubber Plug	5
07-8417 Accumulator Cover	17	07-8912 Hex Bolt	5
07-8419 Membrane	17	07-8913 Hex Bolt	5
07-8424 Adjust Nut	13	07-8916 Hex Bolt	5
07-8426 Gas Charging Bolt	17	07-8917 Hex Nut	5
07-8427 Gas Charging Cap	17	07-8920 Nylon Lock Nut	5
07-8429 Gas Charging Valve Assembly	11	07-8924 Flat Washer	5
07-8430 Socket Plug	13	07-8925 Socket Bolt	5
07-8431 Adjust Bolt	13	07-8927 Lock Washer	5
07-8433 Heli Coil	13	07-8928 Lock Washer	5
07-8435 Snap Ring	15	07-8931 Lock Washer	5
07-8436 Rubber Plug	15	07-8932 Auto Grease Pump Assembly	7
07-8443 Socket Plug	13, 15	07-8933 Replacement Grease Cartridge	7
07-8444 Socket Plug	15	07-9073 Housing	5
07-8445 Grease Nipple	15	07-9074 Base Buffer	5
07-8446 Socket Plug	11	07-9075 Wearing Plate	5
07-8449 Socket Bolt	17	07-9076 Wearing Plate	5
07-8450 Socket Bolt	17	07-9077 Cover Plate 1	5
07-8776 Back Head Group	9	07-9078 Cover Plate 2	5
07-8777 Back Head	11	07-9079 Front Block	5
07-8778 Cylinder Group	9	07-9080 Front Plate	5
07-8779 Cylinder	13	07-9081 Stopper	5
07-8780 Piston	13	07-9082 Shim Plate	5
07-8781 Seal Housing	13	07-9083 Pin	5
07-8782 Valve Spool Guide	13	07-9084 Housing Toolpin Cover	5
07-8783 Spool	13	07-9129 Gas Charging Kit	18
07-8784 Spool Cover	13	07-9283 Bottom Assembly	17
07-8785 Adapter	13	07-9302 Replacement Grease Cartridge - 20 count	7
07-8786 Front Head Group	9	Accumulator Assembly	16, 17
07-8787 Front Head	15	Auto Grease Cartridge	6, 7
07-8788 Upper Bushing	15	Back Head Assembly	10, 11
07-8789 Tool Pin	15	Backup Ring	13, 17
07-8790 Bushing Pin	15	Box Housing	4, 5
07-8791 Rubber Plug	15	Buffer Ring	13
07-8792 Snap Ring	15	Contact Information	2, 23
07-8793 Tool Bushing (Box)	15	Cylinder Assembly	12, 13
07-8794 Side Rod Group	9	Front Head Assembly	14, 15
07-8801 Accumulator Group	9	Gas Charging Kit	18
07-8802 Seal Kit	9	Gas Seal	13
07-8843 Blunt Tool	9	Hammer Assembly	8, 9
07-8850 Chisel Tool	9	Housing Assembly	4, 5
07-8857 Cone Tool	9	Inner Valve Assembly	17
07-8864 Moil Tool	9	O-Ring	11, 13, 15, 17
07-8889 Rubber (In, Out)	5	Parts Order Form	21
07-8890 Rubber Plug	5	Parts Order Policy and Procedure	20
07-8891 Wearing Plate	5	Step Seal	13
07-8892 Rubber Plug	5	Table of Contents	3
07-8895 Wearing Plate	5	U-Packing	13
07-8899 Toolpin Stop	5	Warranty	19
07-8900 Top Plate	5	Wiper	13
07-8901 Cover Plate	3, 5		

## CONTACT INFORMATION

### Genesis Attachments

1000 Genesis Drive  
Superior, WI 54880 USA

Toll Free: 888-SHEAR-IT  
(888-743-2748)

Phone: 715.395.5252

E-mail:  
info@genesisattachments.com

### Europe/Africa/Middle East Genesis GmbH

Teramostrasse 23  
87700 Memmingen, Germany

Phone: +49 83 31 9 25 98 0  
Fax: +49 83 31 9 25 98 80  
genesis-europe.com

E-mail:  
info@genesis-europe.com

### Asia Pacific Representative Office

24 Upper Serangoon View #12-28  
Singapore 534205

Phone: +65 9673 9730

E-mail:  
tchoo@genesisattachments.com

### Central America & Colombia

Cra 13A #89-38 / Ofi 613  
Bogota, Colombia

Phone: +57 1 610 8160 / 795 8747

E-mail:  
contact@themsagroup.com