

GENESIS[®]

The Promise of Performance.

Hydraulic Breaker (GHB 6000)

PARTS MANUAL



CONTACT INFORMATION

Genesis Attachments

1000 Genesis Drive
Superior, WI 54880 USA

Toll Free: 888-SHEAR-IT
(888-743-2748)

Phone: 715.395.5252

E-mail:
info@genesisattachments.com

Europe/Africa/Middle East Genesis GmbH

Teramostrasse 23
87700 Memmingen, Germany

Phone: +49 83 31 9 25 98 0
Fax: +49 83 31 9 25 98 80
genesis-europe.com

E-mail:
info@genesis-europe.com

Asia Pacific Representative Office

24 Upper Serangoon View #12-28
Singapore 534205

Phone: +65 9673 9730

E-mail:
tchoo@genesisattachments.com

Central America & Colombia

Cra 13A #89-38 / Ofi 613
Bogota, Colombia

Phone: +57 1 610 8160 / 795 8747

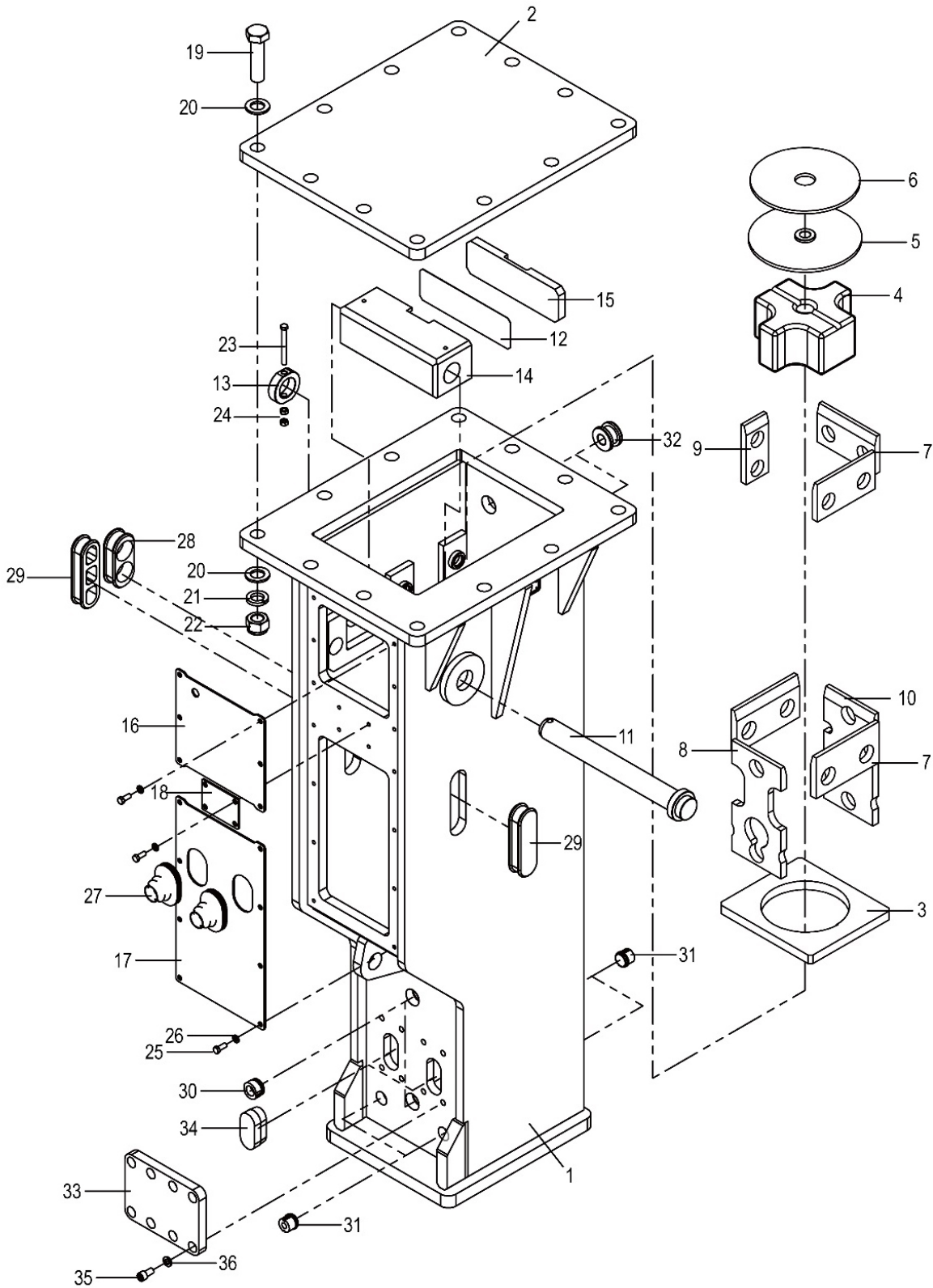
E-mail:
contact@themsagroup.com

View and download all manuals: genesisattachments.com/manuals
Patents: genesisattachments.com/products/patents

TABLE OF CONTENTS

CONTACT INFORMATION	2
HOUSING ASSEMBLY	4
AUTO GREASE CARTRIDGE	6
HAMMER ASSEMBLY	8
BACK HEAD ASSEMBLY	10
CYLINDER ASSEMBLY	12
FRONT HEAD ASSEMBLY	14
ACCUMULATOR ASSEMBLY	16
GAS CHARGING KIT	18
WARRANTY	19
PARTS ORDER POLICY AND PROCEDURE	20
PARTS ORDER FORM	21
INDEX	22
CONTACT INFORMATION	23

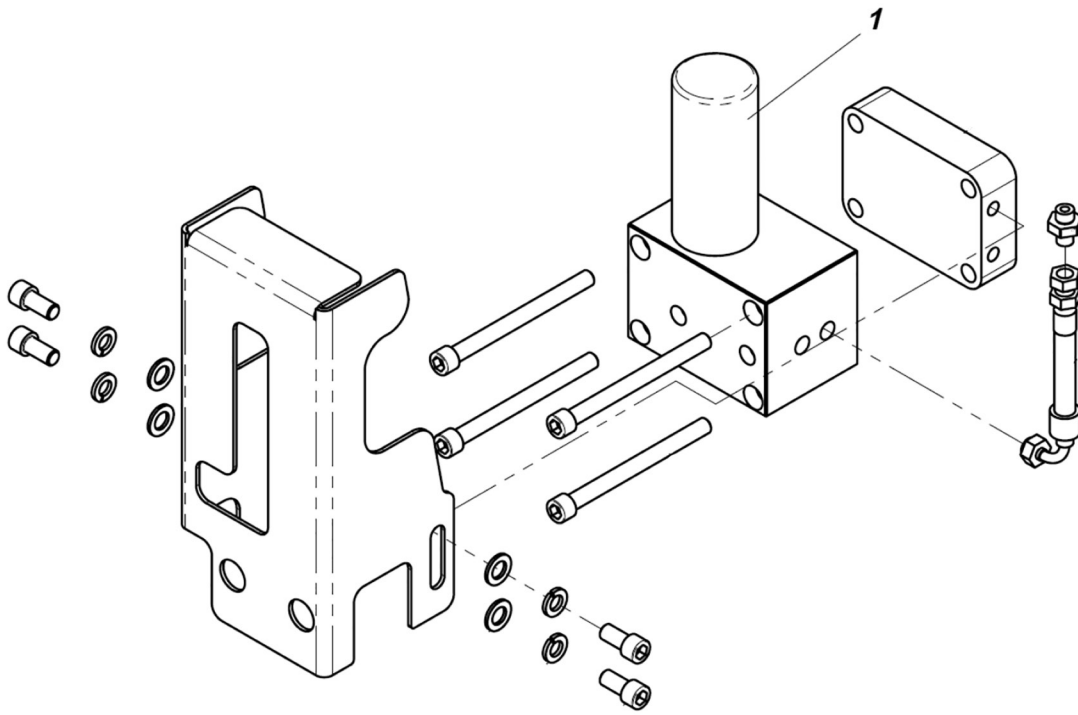
HOUSING ASSEMBLY



HOUSING ASSEMBLY

ITEM	QTY	PART NUMBER	DESCRIPTION
1	1	07-9062	Housing
2	1	07-8900	Top Plate
3	1	07-9063	Base Buffer
4	1	07-8896	Top Buffer
5	1	07-8906	Top Plate Assembly
6	1	07-8905	Top Wear Plate
7	4	07-8891	Wear Plate
8	1	07-9064	Wear Plate
9	1	07-8895	Wear Plate
10	1	07-9065	Wear Plate
11	1	07-9066	Pin
12	1	07-9067	Shim Plate
13	1	07-8897	Stopper
14	1	07-9068	Front Block
15	1	07-9069	Front Plate
16	1	07-9070	Cover Plate 1
17	1	07-9071	Cover Plate 2
18	1	07-8901	Cover Plate 3
19	12	07-8916	Hex Bolt
20	24	07-8924	Flat Washer
21	12	07-8931	Lock Washer
22	12	07-8920	Nylon Lock Nut
23	1	07-8912	Hex Bolt
24	2	07-8917	Hex Nut
25	16	07-8913	Hex Bolt
26	16	07-8927	Lock Washer
27	2	07-8889	Rubber (In, Out)
28	1	07-8890	Rubber Plug
29	2	07-8892	Rubber Plug
30	2	07-8907	Rubber Grease
31	4	07-8908	Rubber Plug
32	2	07-8909	Rubber Plug
33	1	07-8898	Housing Tool Pin Cover
34	2	07-8899	Tool Pin Stop
35	8	07-8925	Socket Bolt
36	8	07-8928	Lock Washer

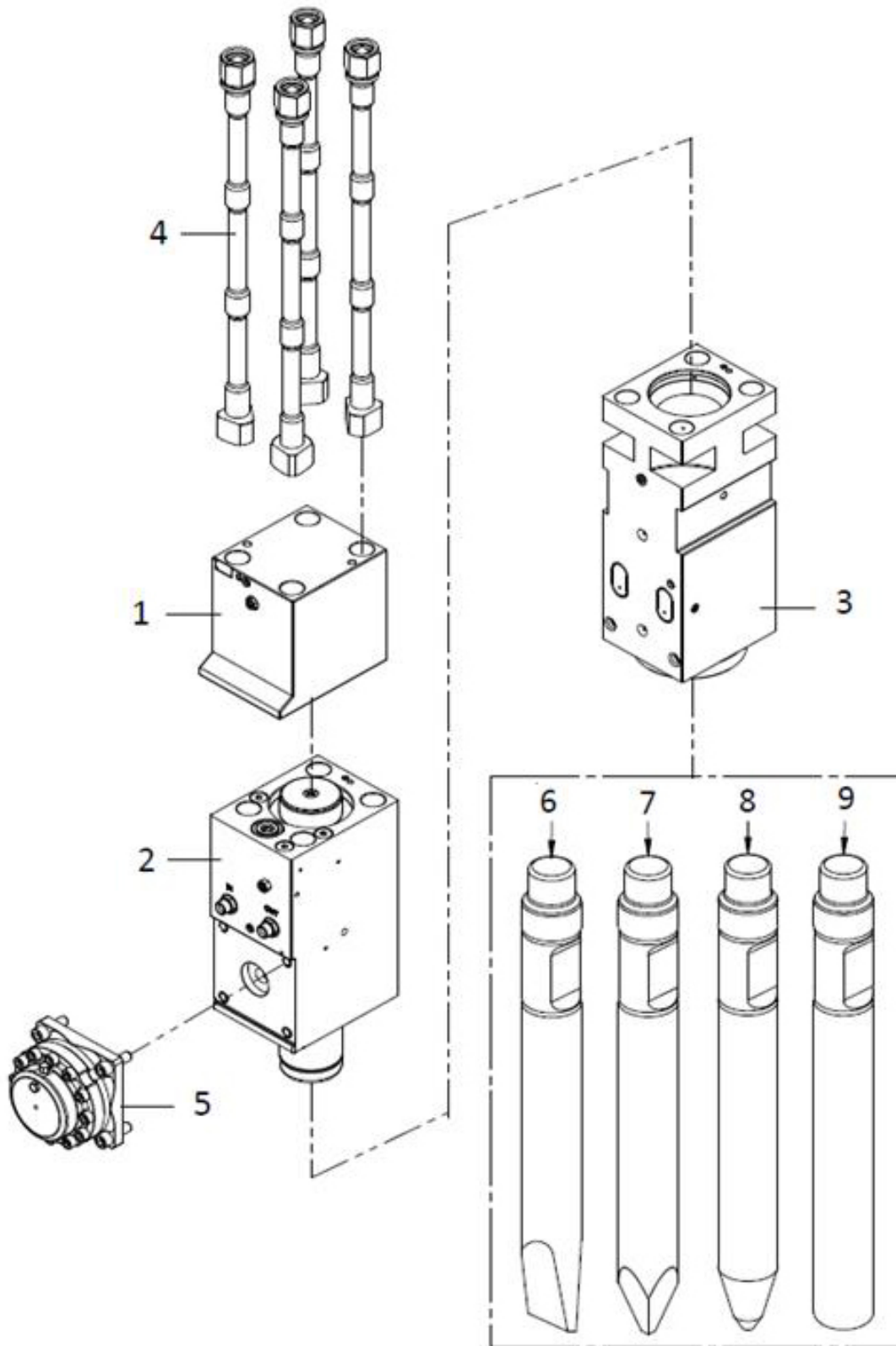
AUTO GREASE CARTRIDGE



AUTO GREASE CARTRIDGE

ITEM	QTY	PART NUMBER	DESCRIPTION
1	1	07-8932	Auto Grease Pump Assembly
	1	07-8933	Replacement Grease Cartridge
	1	07-9302	Replacement Grease Cartridge - 20 count

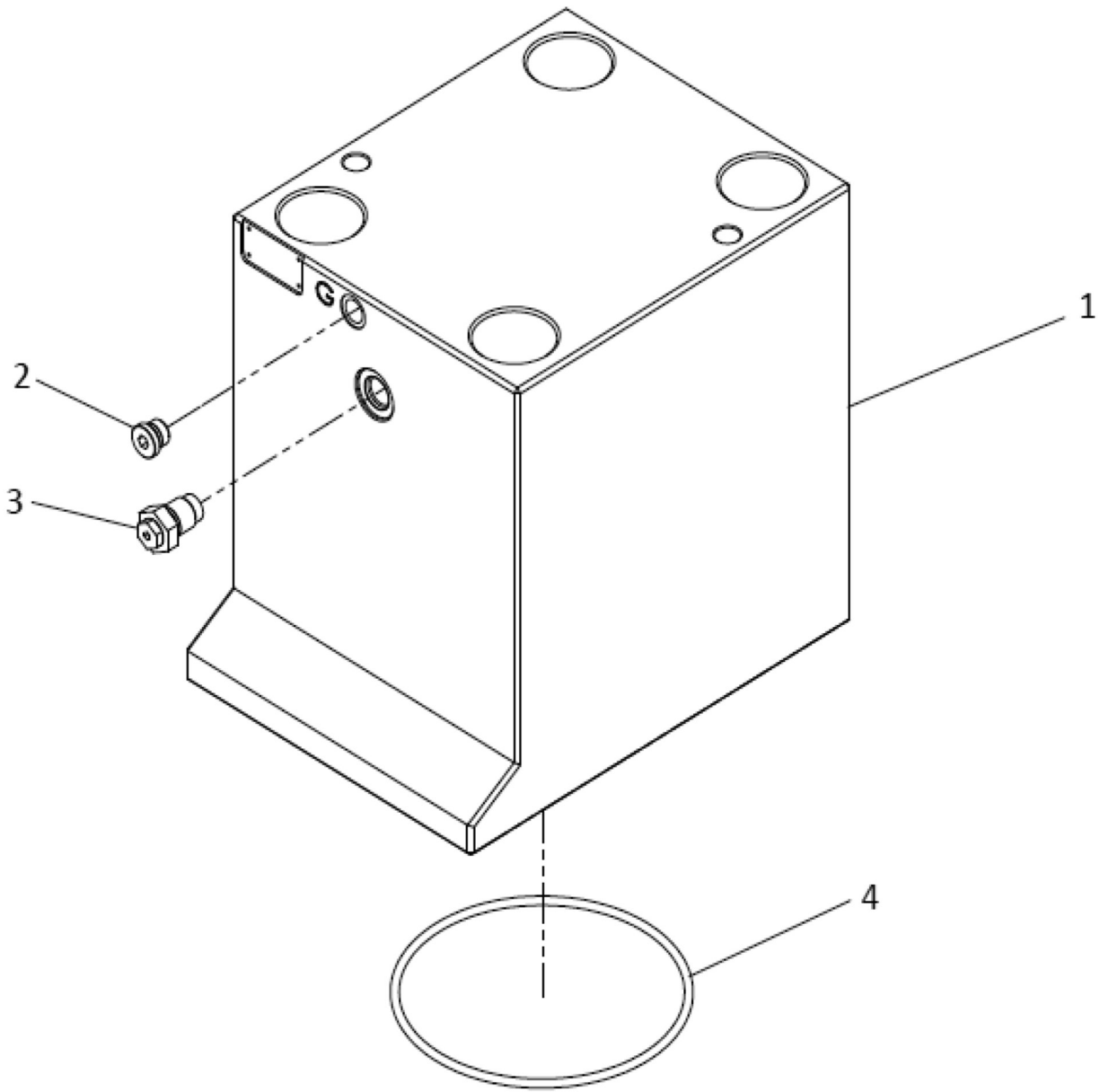
HAMMER ASSEMBLY



HAMMER ASSEMBLY

ITEM	QTY	PART NUMBER	DESCRIPTION
1	1	07-8748	Back Head Assembly
2	1	07-8752	Cylinder Assembly
3	1	07-8761	Front Head Assembly
4	4	07-8767	Side Rod Assembly
5	1	07-8773	Accumulator Assembly
6	1	07-8849	Chisel Tool
7	1	07-8863	Moil Tool
8	1	07-8856	Cone Tool
9	1	07-8842	Blunt Tool
	1	07-8774	Replacement Seal Kit

BACK HEAD ASSEMBLY

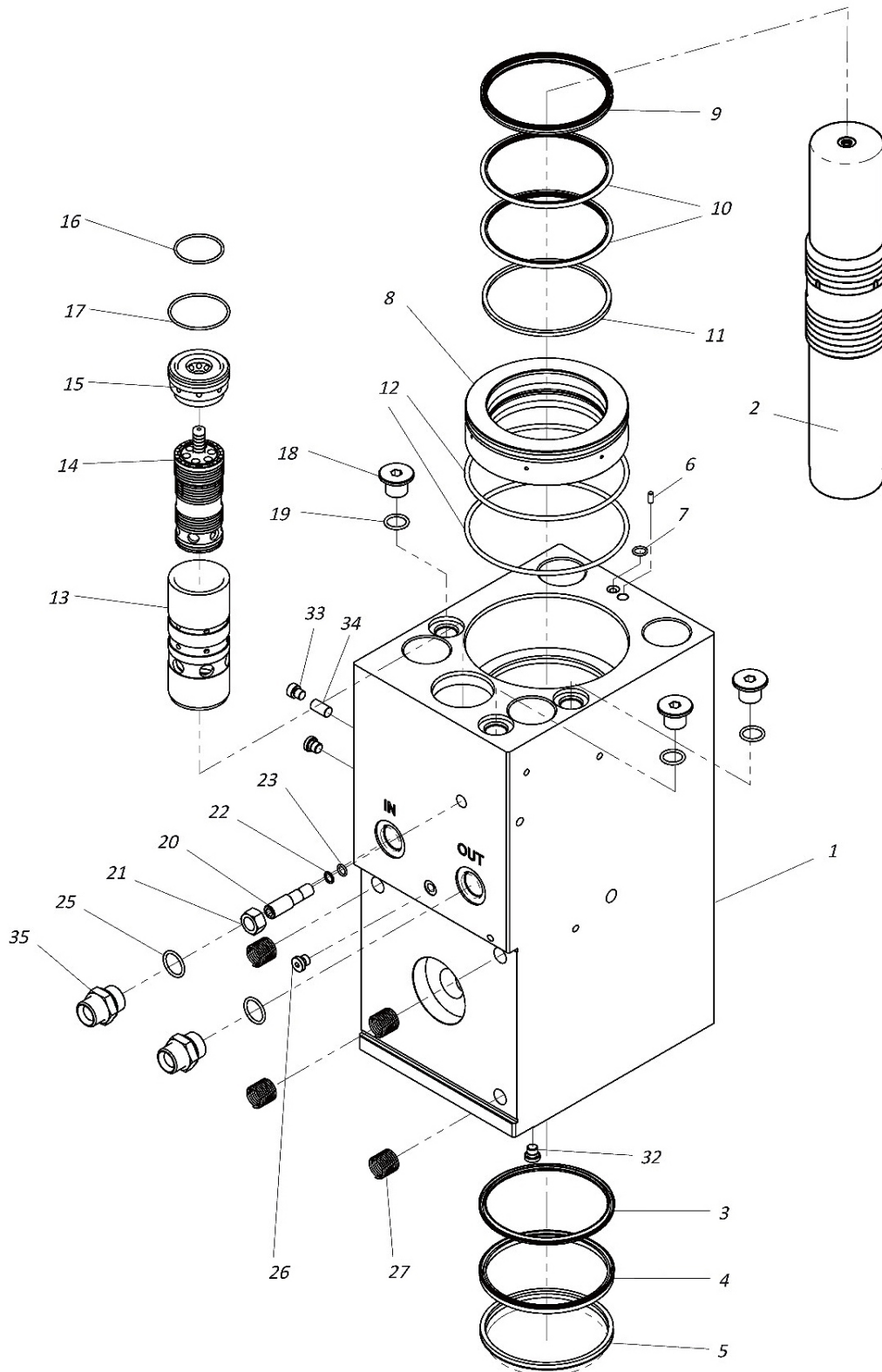


BACK HEAD ASSEMBLY

ITEM	QTY	PART NUMBER	DESCRIPTION
1	1	07-8749	Back Head
2	1	07-8750	Hex Socket Plug
3	1	07-8751	Gas Charging Valve Assembly
4	1	--	O-Ring*

* Not sold separately. See Hammer Assembly for Replacement Seal Kit.

CYLINDER ASSEMBLY



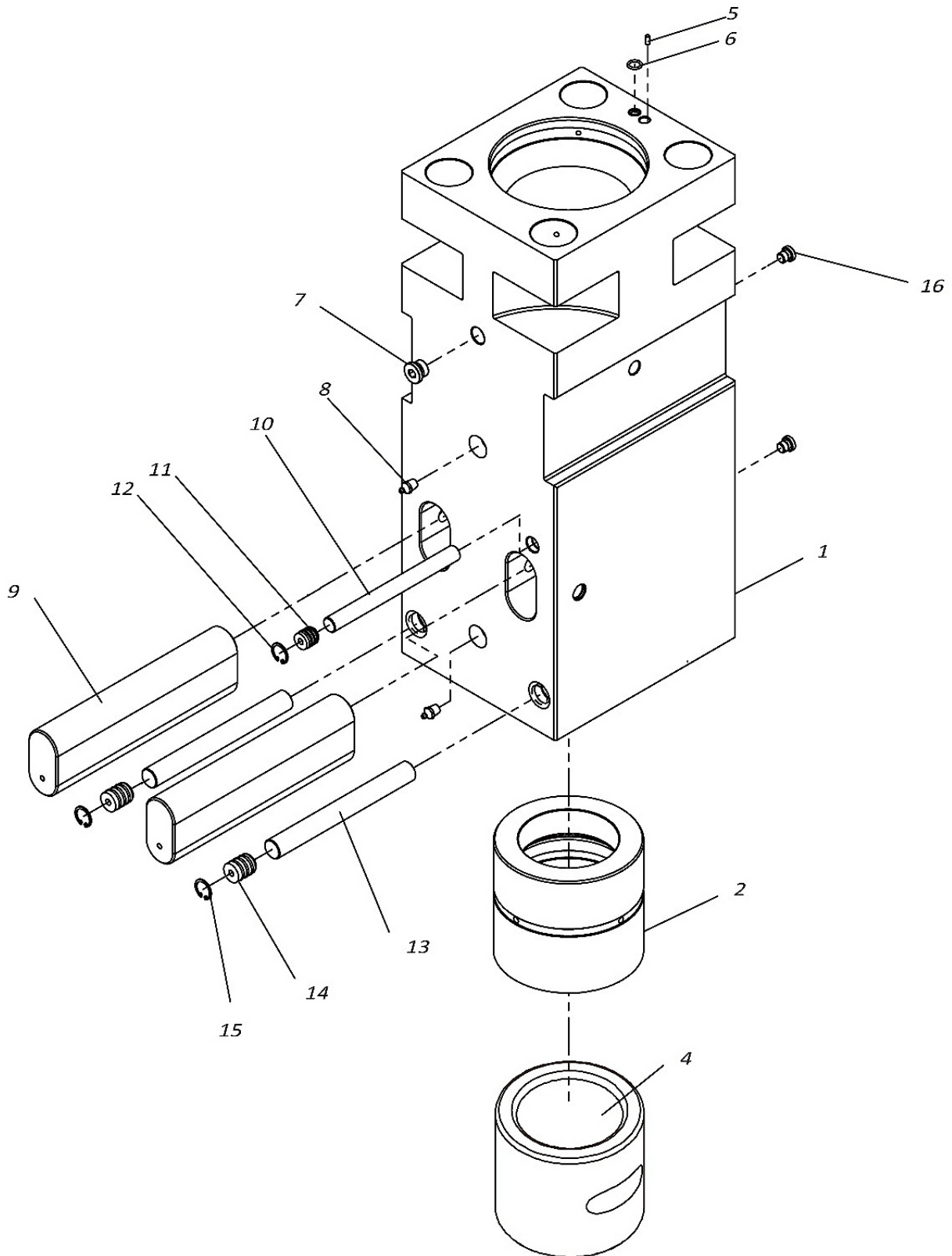
CYLINDER ASSEMBLY

ITEM	QTY	PART NUMBER	DESCRIPTION
1	1	07-8753	Cylinder
2	1	07-8754	Piston
3	1	--	Buffer Ring*
4	1	--	U-Packing*
5	1	--	Dust Seal*
6	1	07-8755	Guide Pin
7	1	--	O-Ring*
8	1	07-8756	Seal Housing
9	1	--	Gas Seal*
10	2	--	Step Seal*
11	1	--	Buffer Ring*
12	2	--	O-Ring*
13	1	07-8757	Valve Spool Guide
14	1	07-8758	Valve Spool
15	1	07-8759	Spool Cover
16	1	--	O-Ring*
17	1	--	O-Ring*
18	3	07-8420	Hex Socket Plug
19	3	--	O-Ring*
20	1	07-8421	Adjust Bolt
21	1	07-8422	Adjust Nut
22	1	--	O-Ring*
23	1	--	Backup Ring*
25	2	--	O-Ring*
26	1	07-8443	Hex Socket Plug
27	4	07-8428	Heli Coil
32	2	07-8443	Hex Socket Plug
33	1	07-8408	Metric Hollow Hex Plug
34	1	07-8407	Auto Shut-off Pin**
35	2	07-8760	Adapter

* Not sold separately. See Hammer Assembly for Replacement Seal Kit.

** Optional

FRONT HEAD ASSEMBLY

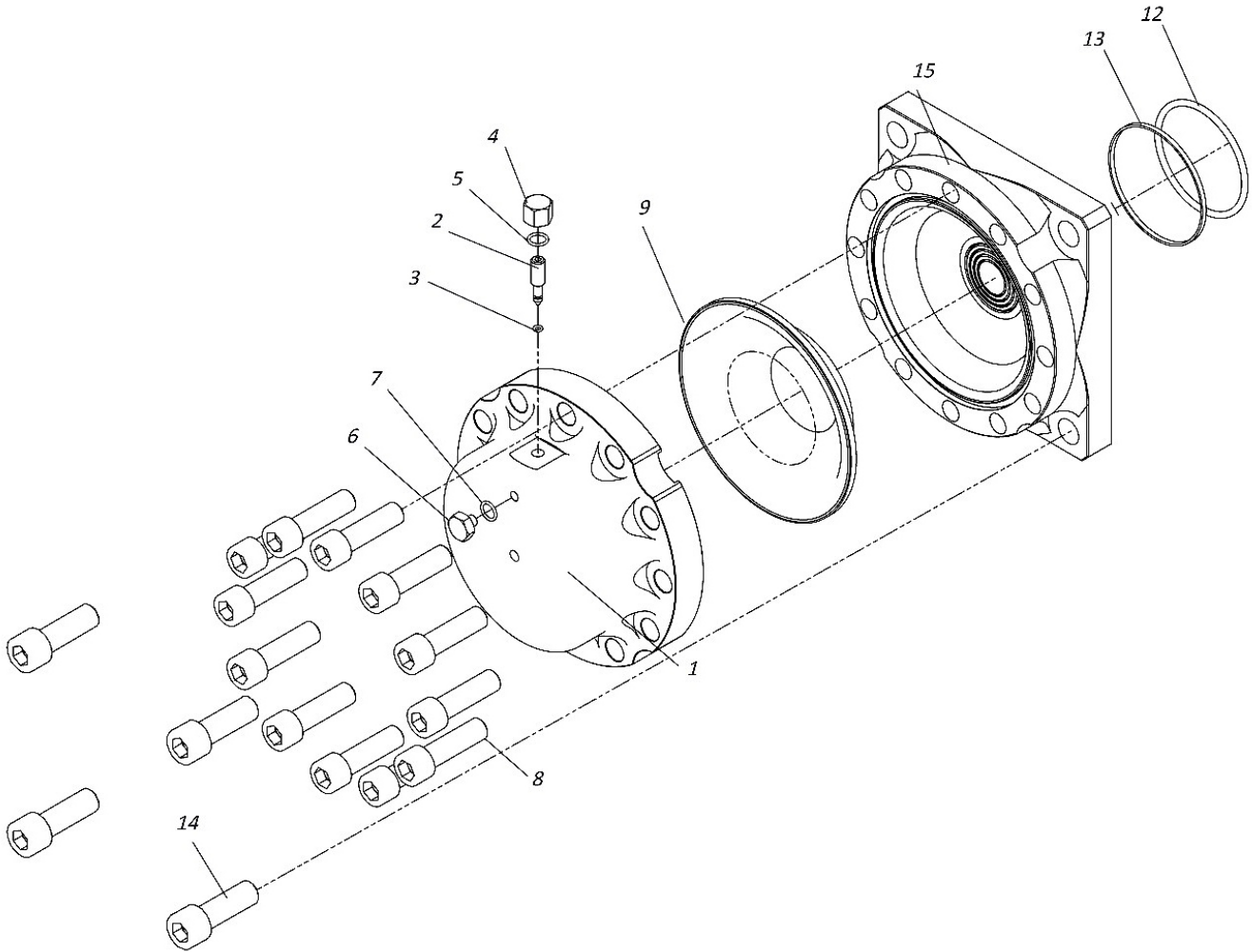


FRONT HEAD ASSEMBLY

ITEM	QTY	PART NUMBER	DESCRIPTION
1	1	07-8762	Front Head
2	1	07-8763	Upper Bushing
4	1	07-8764	Tool Bushing (Box)
5	1	07-8414	Guide Pin
6	1	--	O-Ring*
7	1	07-8444	Hex Socket Plug
8	2	07-8445	Grease Nipple
9	2	07-8765	Tool Pin
10	1	07-8413	Upper Bushing Pin
11	1	07-8436	Rubber Plug
12	1	07-8435	Snap Ring
13	2	07-8766	Bushing Pin
14	2	07-8438	Rubber Plug
15	2	07-8411	Snap Ring
16	2	07-8443	Hex Socket Plug

* Not sold separately. See Hammer Assembly for Replacement Seal Kit.

ACCUMULATOR ASSEMBLY

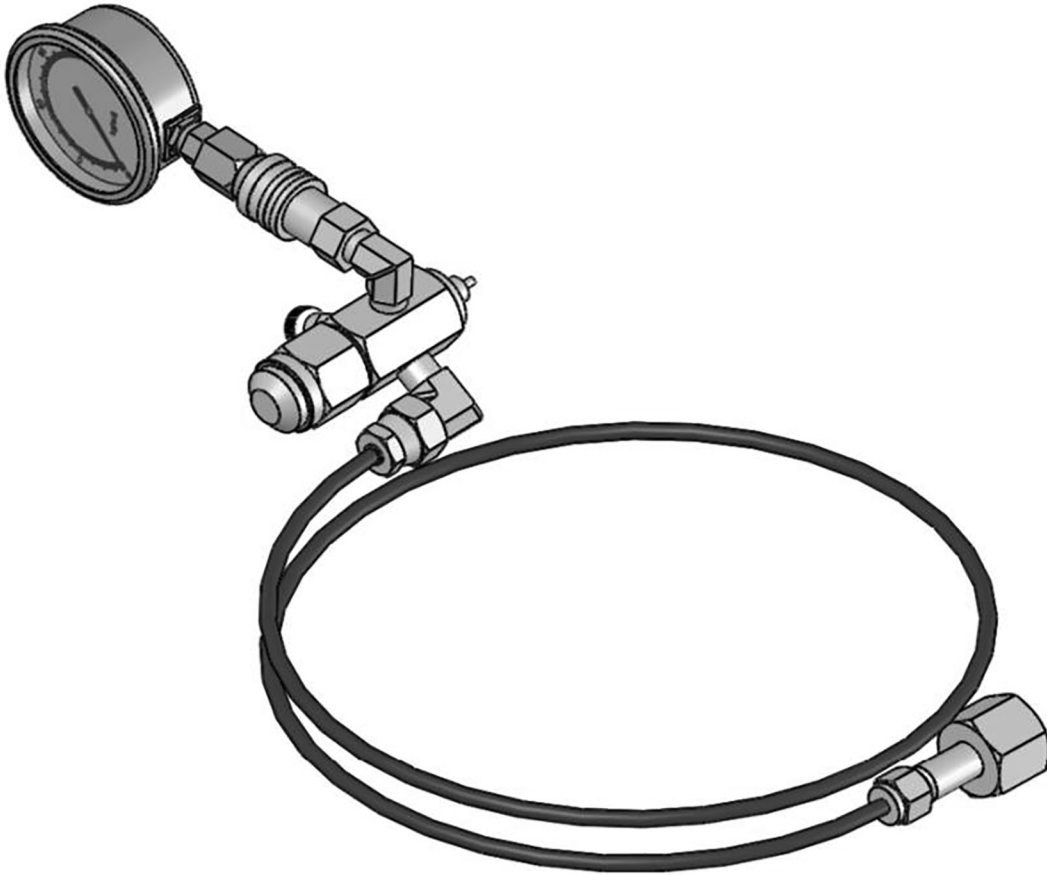


ACCUMULATOR ASSEMBLY

ITEM	QTY	PART NUMBER	DESCRIPTION
1	1	07-8417	Accumulator Cover
2	1	07-8426	Gas Charging Bolt
3	1	--	O-Ring*
4	1	07-8427	Gas Charging Cap
5	1	--	O-Ring*
6	1	07-8416	Hex Head Plug
7	1	--	O-Ring*
8	12	07-8449	Socket Bolt
9	1	07-8419	Membrane
12	1	--	O-Ring*
13	1	--	Backup Ring*
14	4	07-8450	Socket Bolt
15	1	07-9283	Bottom Assembly

* Not sold separately. See Hammer Assembly for Replacement Seal Kit.

GAS CHARGING KIT



ITEM	QTY	PART NUMBER	DESCRIPTION
1	1	07-9129	Gas Charging Kit

WARRANTY

Claim Procedure

Notify the Genesis Service Department of the potential warranty claim prior to making the repair. Digital pictures are very helpful for diagnosing problems and recommending repairs.

Contact the Genesis Service Department before making alterations, changes or repairs to any component that is going to be considered for warranty. Not doing so will void all Genesis warranty consideration.

The Genesis Service Department will issue an authorization number to track the repair costs, outgoing parts, and/or defective parts returning to the factory.

Replacement parts must be ordered using a purchase order number. Shipping is standard ground. Overnight shipping is available by request, and Genesis will not cover the shipping charge.

When the repair is complete, submit an invoice to the Genesis Service Department within 30 days. Include itemized internal labor reporting, parts lists and invoices for outside contractors. Reference the authorization number on all invoices.

When returning parts for warranty consideration, include a copy of any related Genesis paperwork along with any other necessary documentation to ensure proper processing and credit. The Genesis Service Department will provide the necessary forms.

Your account will be credited when the warranty claim is accepted.

Please direct any questions to the Genesis Service Department: 715-395-5252

PARTS ORDER POLICY AND PROCEDURE

Parts Orders Should Include

- Purchase order number
- Model and serial number of attachment
- Part number and quantity needed
- Shipping and billing address
- Method of shipment or required delivery date

Placing Orders

Orders may be placed by phone, e-mail or fax. To fax an order, use the form on the following page. Contact information is located at the front of this manual.

Part Numbers

Part numbers are listed in a separate Parts Manual or, if included, the Parts section of this manual. Contact the Genesis Parts Department with questions regarding part numbers, availability and pricing.

Shipping

All orders will be shipped best way surface unless an alternate shipping method is requested. Shipping charges are not included in the purchase price of parts.

Invoices

All invoices are due upon receipt. Any accounts with invoices open beyond 60 days are subject to review and may be placed on C.O.D. status without further notice.

Returns

Unused Genesis parts may be returned with proper documentation. Return shipping is the responsibility of the purchaser. Credit will be issued upon return, less a 20% restocking fee. Documentation is required for credit of returned parts. Contact the Genesis Parts Department at 715-395-5252 for an RGA (Return Goods Authorization) number and form.

Return Goods Authorization

All parts returned to Genesis for warranty consideration must be returned with a completed RGA (Return Goods Authorization) provided by the Genesis Parts Department. The form needs to be completed in its entirety, including any additional information requested by the Parts or Service Department. Return freight is the responsibility of the shipper and will be credited upon claim approval. A determination to accept or deny the claim will be made based on the information available to Genesis. Warranty on purchased parts other than wear components is 6 months. There is no warranty period on wear parts or components.



PARTS ORDER FORM

Customer: _____ Date: _____

Phone: _____ Contact: _____

Shipping Address: _____ E-mail: _____

Billing Address:

Purchase Order: _____ Shipping Method: _____

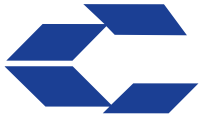
Model: _____ Serial Number: _____

Quantity	Part Number	Description	Price

E-mail to the Genesis Parts Department: genesisparts@genesisattachments.com
For assistance, call 715-395-5252

INDEX

07-8407 Auto Shut-off Pin	13	07-8898 Housing Tool Pin Cover	5
07-8408 Metric Hollow Hex Plug	13	07-8899 Tool Pin Stop	5
07-8411 Snap Ring	15	07-8900 Top Plate	5
07-8413 Upper Bushing Pin	15	07-8901 Cover Plate 3	5
07-8414 Guide Pin	15	07-8905 Top Wear Plate	5
07-8416 Hex Head Plug	17	07-8906 Top Plate Assembly	5
07-8417 Accumulator Cover	17	07-8907 Rubber Grease	5
07-8419 Membrane	17	07-8908 Rubber Plug	5
07-8420 Hex Socket Plug	13	07-8909 Rubber Plug	5
07-8421 Adjust Bolt	13	07-8912 Hex Bolt	5
07-8422 Adjust Nut	13	07-8913 Hex Bolt	5
07-8426 Gas Charging Bolt	17	07-8916 Hex Bolt	5
07-8427 Gas Charging Cap	17	07-8917 Hex Nut	5
07-8428 Heli Coil	13	07-8920 Nylon Lock Nut	5
07-8435 Snap Ring	15	07-8924 Flat Washer	5
07-8436 Rubber Plug	15	07-8925 Socket Bolt	5
07-8438 Rubber Plug	15	07-8927 Lock Washer	5
07-8443 Hex Socket Plug	13, 15	07-8928 Lock Washer	5
07-8444 Hex Socket Plug	15	07-8931 Lock Washer	5
07-8445 Grease Nipple	15	07-8932 Auto Grease Pump Assembly	7
07-8449 Socket Bolt	17	07-8933 Replacement Grease Cartridge	7
07-8450 Socket Bolt	17	07-9062 Housing	5
07-8748 Back Head Assembly	9	07-9063 Base Buffer	5
07-8749 Back Head	11	07-9064 Wear Plate	5
07-8750 Hex Socket Plug	11	07-9065 Wear Plate	5
07-8751 Gas Charging Valve Assembly	11	07-9066 Pin	5
07-8752 Cylinder Assembly	9	07-9067 Shim Plate	5
07-8753 Cylinder	13	07-9068 Front Block	5
07-8754 Piston	13	07-9069 Front Plate	5
07-8755 Guide Pin	13	07-9070 Cover Plate 1	5
07-8756 Seal Housing	13	07-9071 Cover Plate 2	5
07-8757 Valve Spool Guide	13	07-9129 Gas Charging Kit	18
07-8758 Valve Spool	13	07-9283 Bottom Assembly	17
07-8759 Spool Cover	13	07-9302 Replacement Grease Cartridge - 20 count	7
07-8760 Adapter	13	Auto Grease Cartridge	6, 7
07-8761 Front Head Assembly	9	Back Head Assembly	10, 11
07-8762 Front Head	15	Backup Ring	13, 17
07-8763 Upper Bushing	15	Buffer Ring	13
07-8764 Tool Bushing (Box)	15	Contact Information	2, 23
07-8765 Tool Pin	15	Cylinder Assembly	12, 13
07-8766 Bushing Pin	15	Dust Seal	13
07-8767 Side Rod Assembly	9	Front Head Assembly	14, 15
07-8773 Accumulator Assembly	9	Gas Charging Kit	18
07-8774 Replacement Seal Kit	9	Gas Seal	13
07-8842 Blunt Tool	9	Hammer Assembly	8, 9
07-8849 Chisel Tool	9	Housing Assembly	4, 5
07-8856 Cone Tool	9	O-Ring	11, 13, 15, 17
07-8863 Moil Tool	9	Parts Order Form	21
07-8889 Rubber (In, Out)	5	Parts Order Policy and Procedure	20
07-8890 Rubber Plug	5	Side Rod	16
07-8891 Wear Plate	5	Step Seal	13
07-8892 Rubber Plug	5	Table of Contents	3
07-8895 Wear Plate	5	U-Packing	13
07-8896 Top Buffer	5	Warranty	19
07-8897 Stopper	5		



GENESIS®

The Promise of Performance.

CONTACT INFORMATION

Genesis Attachments

1000 Genesis Drive
Superior, WI 54880 USA

Toll Free: 888-SHEAR-IT
(888-743-2748)

Phone: 715.395.5252

E-mail:
info@genesisattachments.com

Europe/Africa/Middle East Genesis GmbH

Teramostrasse 23
87700 Memmingen, Germany

Phone: +49 83 31 9 25 98 0

Fax: +49 83 31 9 25 98 80

genesis-europe.com

E-mail:
info@genesis-europe.com

Asia Pacific Representative Office

24 Upper Serangoon View #12-28
Singapore 534205

Phone: +65 9673 9730

E-mail:
tchoo@genesisattachments.com

Central America & Colombia

Cra 13A #89-38 / Ofi 613
Bogota, Colombia

Phone: +57 1 610 8160 / 795 8747

E-mail:
contact@themsagroup.com

View and download all manuals: genesisattachments.com/manuals
Patents: genesisattachments.com/products/patents