

**GENESIS**<sup>®</sup>

The Promise of Performance.

# Hydraulic Breaker (GHB 5000)

## PARTS MANUAL



## CONTACT INFORMATION

### Genesis Attachments

1000 Genesis Drive  
Superior, WI 54880 USA

Toll Free: 888-SHEAR-IT  
(888-743-2748)

Phone: 715.395.5252

E-mail:  
info@genesisattachments.com

### Europe/Africa/Middle East Genesis GmbH

Teramostrasse 23  
87700 Memmingen, Germany

Phone: +49 83 31 9 25 98 0  
Fax: +49 83 31 9 25 98 80  
genesis-europe.com

E-mail:  
info@genesis-europe.com

### Asia Pacific Representative Office

24 Upper Serangoon View #12-28  
Singapore 534205

Phone: +65 9673 9730

E-mail:  
tchoo@genesisattachments.com

### Central America & Colombia

Cra 13A #89-38 / Ofi 613  
Bogota, Colombia

Phone: +57 1 610 8160 / 795 8747

E-mail:  
contact@themsagroup.com

View and download all manuals: [genesisattachments.com/manuals](http://genesisattachments.com/manuals)  
Patents: [genesisattachments.com/products/patents](http://genesisattachments.com/products/patents)

# TABLE OF CONTENTS

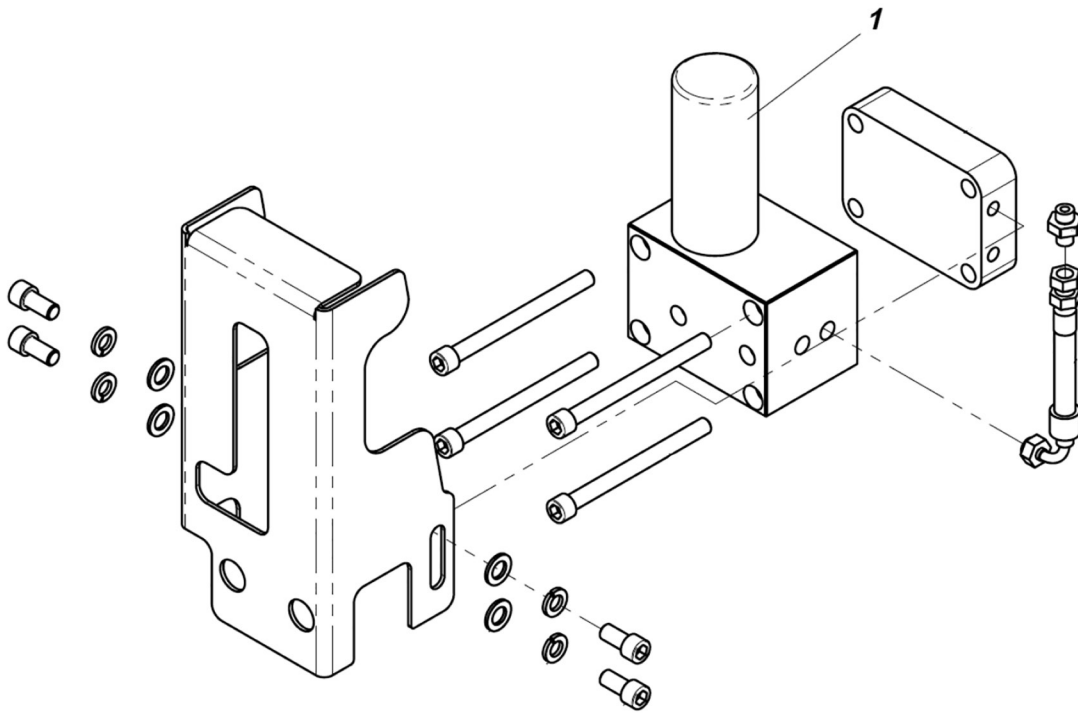
CONTACT INFORMATION .....	2
HOUSING ASSEMBLY .....	4
AUTO GREASE CARTRIDGE .....	6
HAMMER ASSEMBLY .....	8
BACK HEAD ASSEMBLY .....	10
CYLINDER ASSEMBLY .....	12
FRONT HEAD ASSEMBLY .....	14
ACCUMULATOR ASSEMBLY .....	16
GAS CHARGING KIT .....	18
WARRANTY .....	19
PARTS ORDER POLICY AND PROCEDURE .....	20
PARTS ORDER FORM .....	21
INDEX .....	22
CONTACT INFORMATION .....	23



## HOUSING ASSEMBLY

ITEM	QTY	PART NUMBER	DESCRIPTION
1	1	07-9218	Housing
2	1	07-8894	Top Plate
3	1	07-9219	Base Buffer
4	1	07-8896	Top Buffer
5	1	07-9220	Top Plate Assembly
6	1	07-9221	Top Wearing Plate
7	4	07-8891	Wearing Plate
8	1	07-9222	Wearing Plate
9	1	07-9223	Wearing Plate
10	1	07-8895	Wearing Plate
11	1	07-9224	Pin
12	1	07-9225	Shim Plate
13	1	07-8897	Stopper
14	1	07-9226	Front Block
15	1	07-9227	Front Plate
16	1	07-9228	Cover Plate 1
17	1	07-9229	Cover Plate 2
18	1	07-8901	Cover Plate 3
19	12	07-8915	Hex Bolt
20	24	07-8923	Flat Washer
21	12	07-8930	Lock Washer
22	12	07-8919	Nylon Lock Nut
23	1	07-8912	Hex Bolt
24	2	07-8917	Hex Nut
25	14	07-9059	Hex Bolt
26	14	07-8927	Lock Washer
27	2	07-8889	Rubber (In, Out)
28	1	07-8890	Rubber Plug
29	2	07-8892	Rubber Plug
30	2	07-8899	Tool Pin Stop
31	2	07-8907	Rubber Grease
32	4	07-8908	Rubber Plug
33	2	07-8909	Rubber Plug
34	1	07-8898	Housing Toolpin Cover
35	8	07-8928	Lock Washer
36	8	07-9060	Socket Bolt

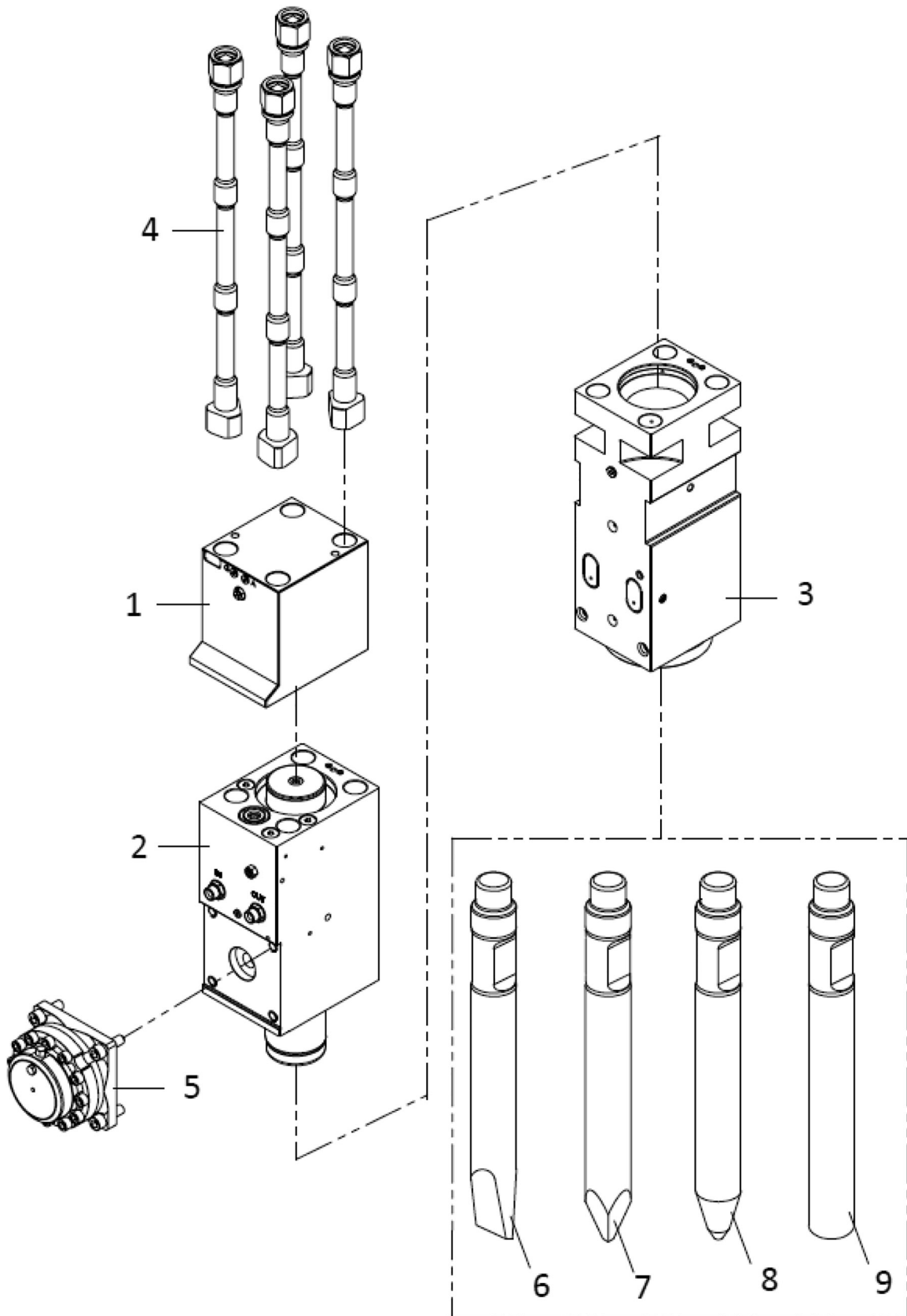
# AUTO GREASE CARTRIDGE



## AUTO GREASE CARTRIDGE

ITEM	QTY	PART NUMBER	DESCRIPTION
1	1	07-8932	Auto Grease Pump Assembly
	1	07-8933	Replacement Grease Cartridge
	1	07-9302	Replacement Grease Cartridge - 20 count

# HAMMER ASSEMBLY

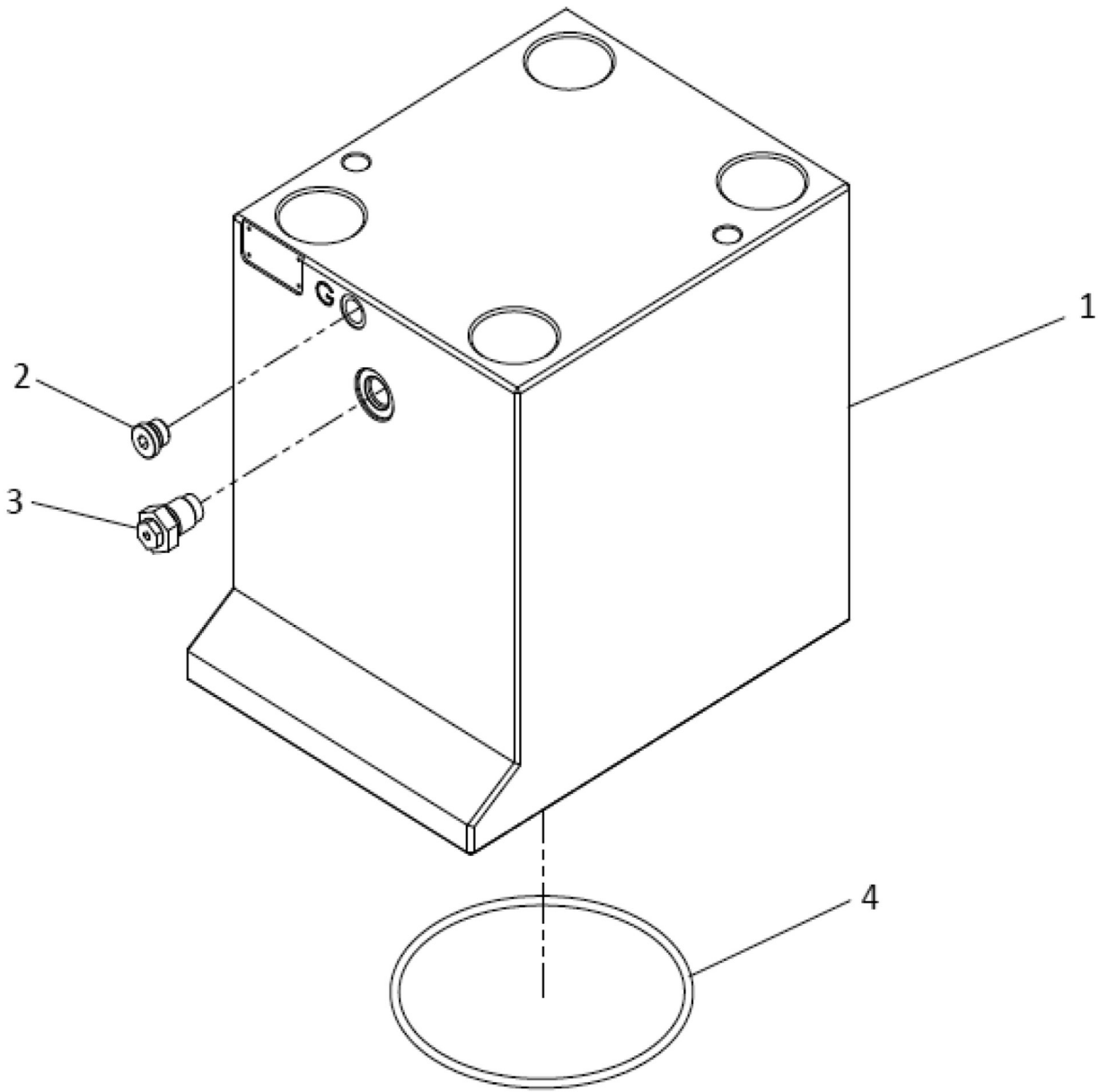




## HAMMER ASSEMBLY

ITEM	QTY	PART NUMBER	DESCRIPTION
1	1	07-8547	Back Head Group
2	1	07-8549	Cylinder Group
3	1	07-8557	Front Head Group
4	4	07-8563	Side Rod Group
5	1	07-8568	Accumulator Group
6	1	07-8837	Chisel Tool
7	1	07-8884	Moil Tool
8	1	07-8879	Cone Tool
9	1	07-8870	Blunt Tool
	1	07-8573	Seal Kit

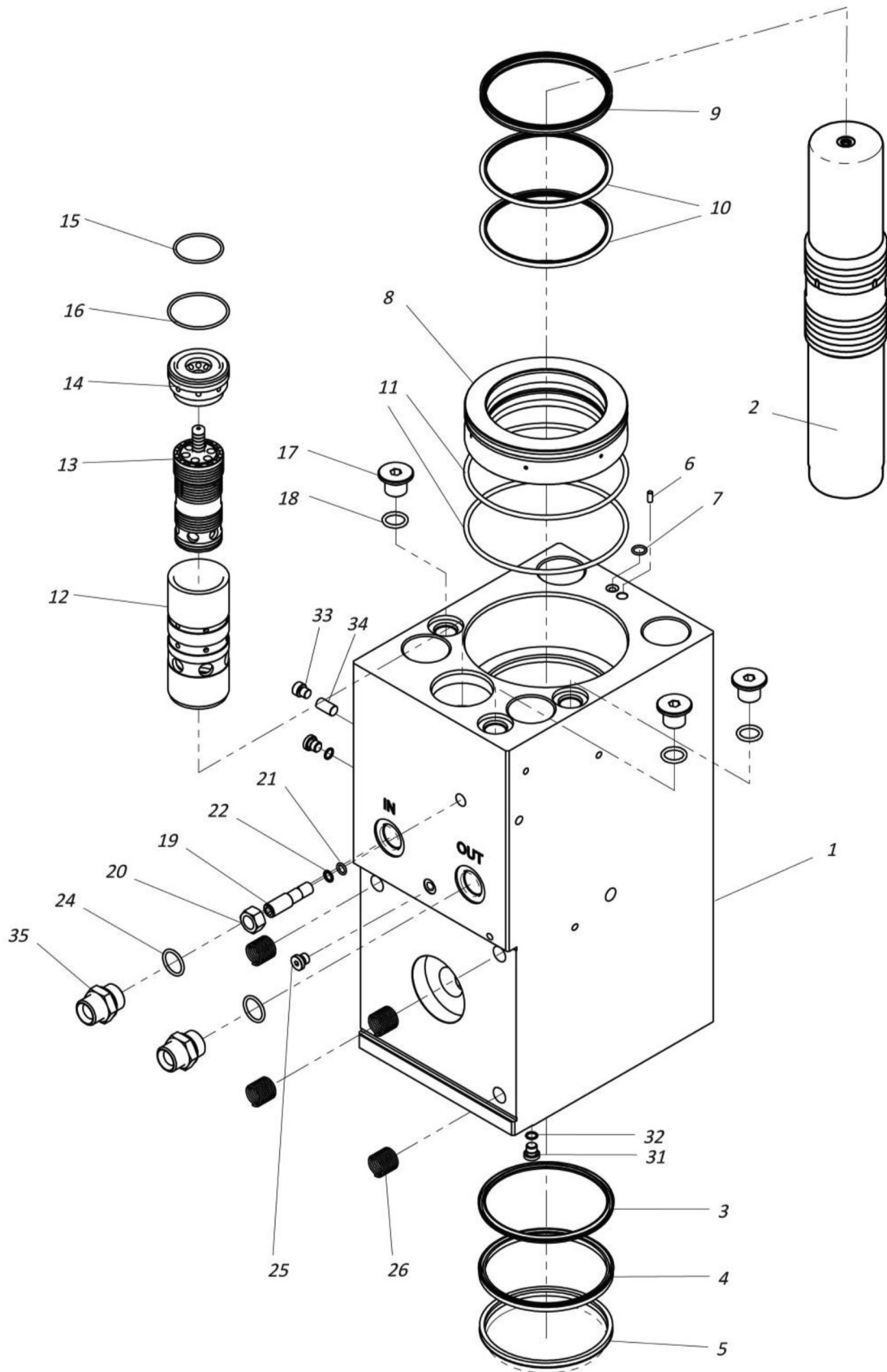
# BACK HEAD ASSEMBLY



## BACK HEAD ASSEMBLY

ITEM	QTY	PART NUMBER	DESCRIPTION
1	1	07-8548	Back Head
2	1	07-8446	Hex Socket Plug
3	1	07-8429	Gas Charging Valve Assembly
4	1	--	O-Ring

# CYLINDER ASSEMBLY

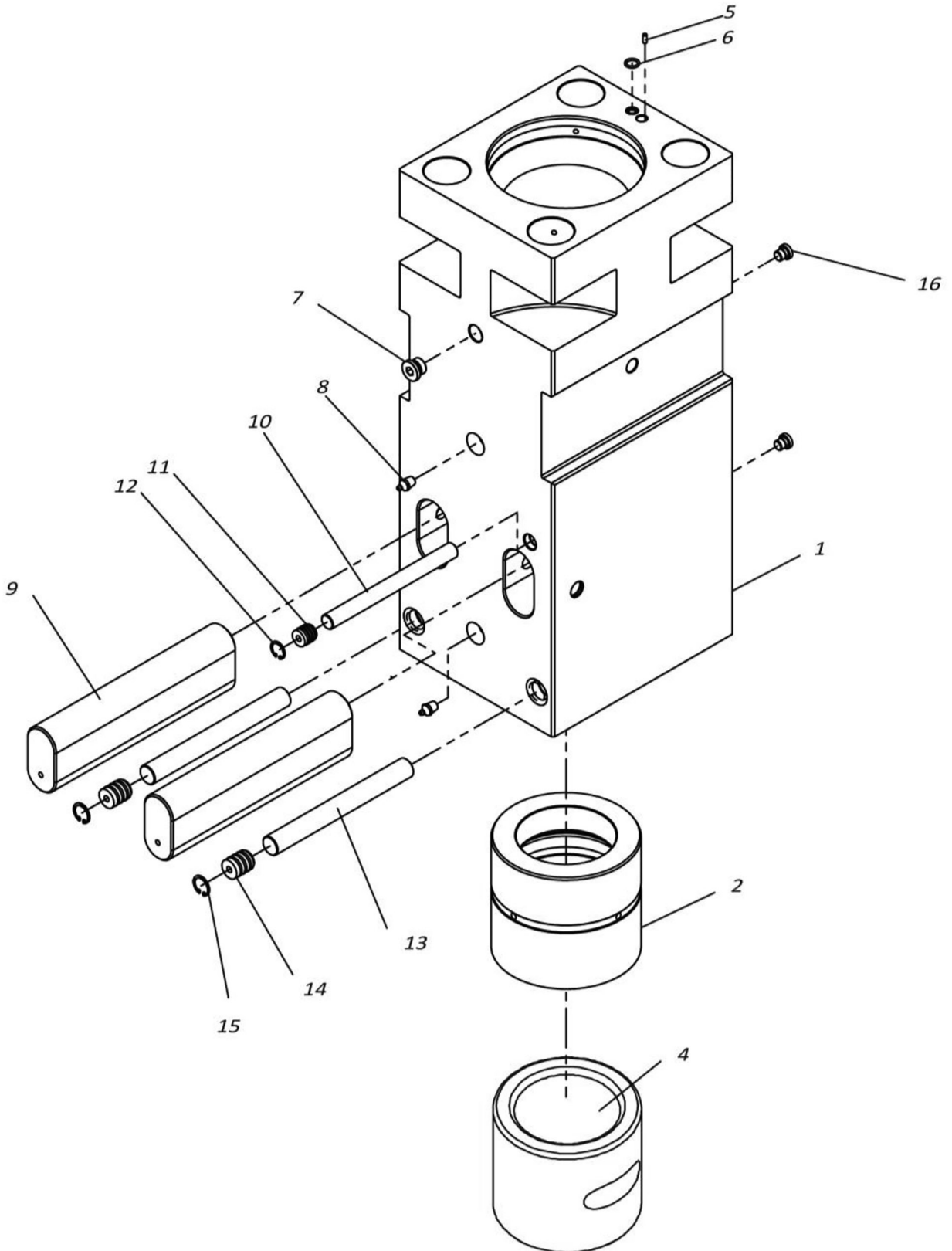


## CYLINDER ASSEMBLY

ITEM	QTY	PART NUMBER	DESCRIPTION
1	1	07-8550	Cylinder
2	1	07-8551	Piston
3	1	--	Buffer Ring*
4	1	--	U-Packing*
5	1	--	Dust Seal*
6	1	07-8414	Guide Pin
7	1	--	O-Ring*
8	1	07-8552	Seal Housing
9	1	--	Gas Seal*
10	2	--	Step Seal*
11	2	--	O-Ring*
12	1	07-8553	Valve Spool Guide
13	1	07-8554	Spool
14	1	07-8555	Spool Cover
15	1	--	O-Ring*
16	1	--	O-Ring*
17	3	07-8420	Hex Socket Plug
18	3	--	O-Ring*
19	1	07-8421	Adjust Bolt
20	1	07-8422	Adjust Nut
21	1	--	O-Ring*
22	1	--	Backup Ring*
24	2	--	O-Ring*
25	1	07-8443	Hex Socket Plug
26	4	07-8428	Heli Coil
31	2	07-8415	Socket Plug
32	2	--	O-Ring*
33	1	07-8408	Metric Hollow Hex Plug
34	1	07-8407	Auto Shut-off Pin
35	2	07-8556	Adapter

\*Part of Seal Kit

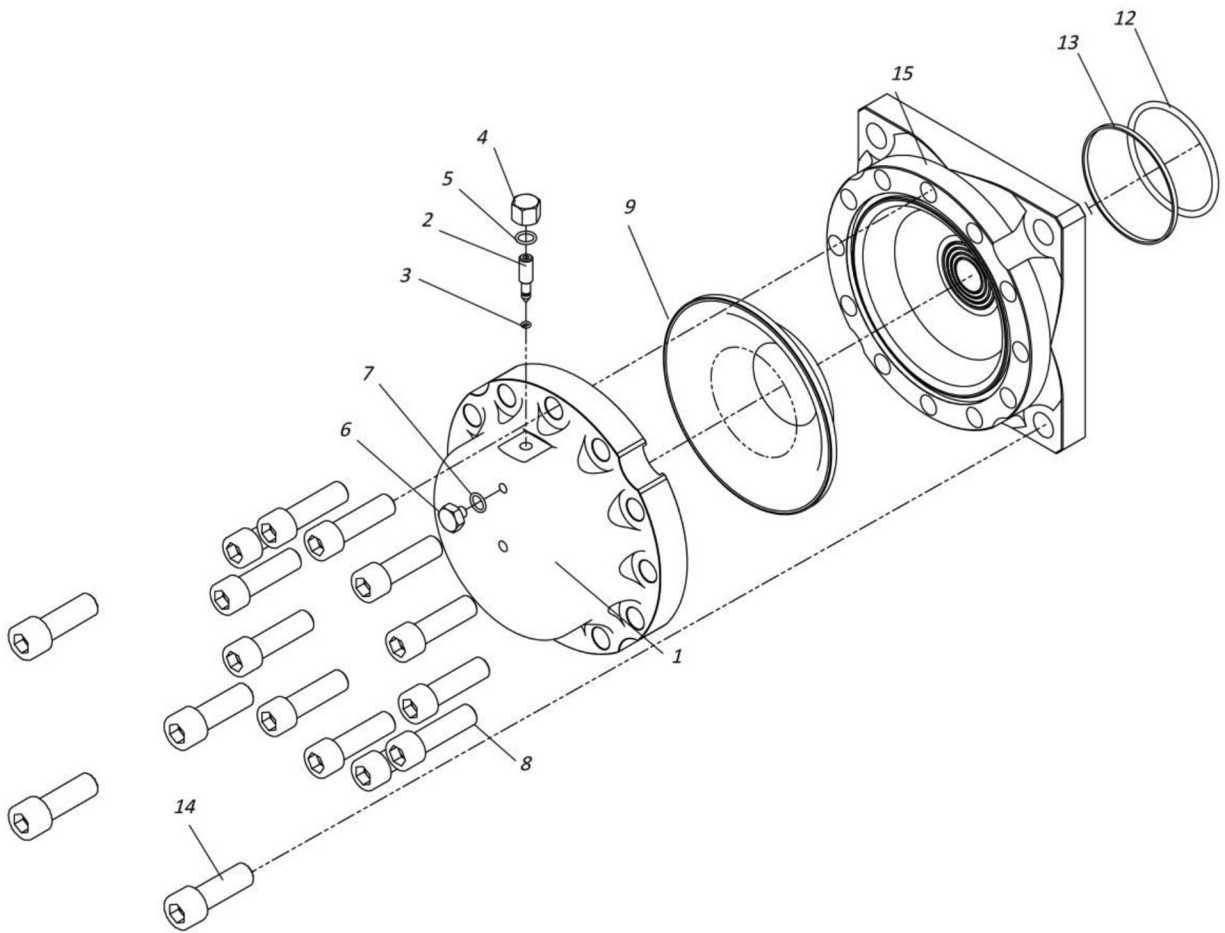
# FRONT HEAD ASSEMBLY



## FRONT HEAD ASSEMBLY

ITEM	QTY	PART NUMBER	DESCRIPTION
1	1	07-8558	Front Head
2	1	07-8559	Upper Bushing
4	1	07-8560	Tool Bushing (Box)
5	1	07-8414	Guide Pin
6	1	--	O-Ring (Part of Seal Kit)
7	1	07-8444	Hex Socket Plug
8	2	07-8445	Grease Nipple
9	2	07-8561	Tool Pin
10	1	07-8413	Upper Bushing Pin
11	1	07-8436	Rubber Plug
12	1	07-8435	Snap Ring
13	2	07-8562	Bushing Pin
14	2	07-8441	Rubber Plug
15	2	07-8440	Snap Ring
16	2	07-8443	Hex Socket Plug

# ACCUMULATOR ASSEMBLY



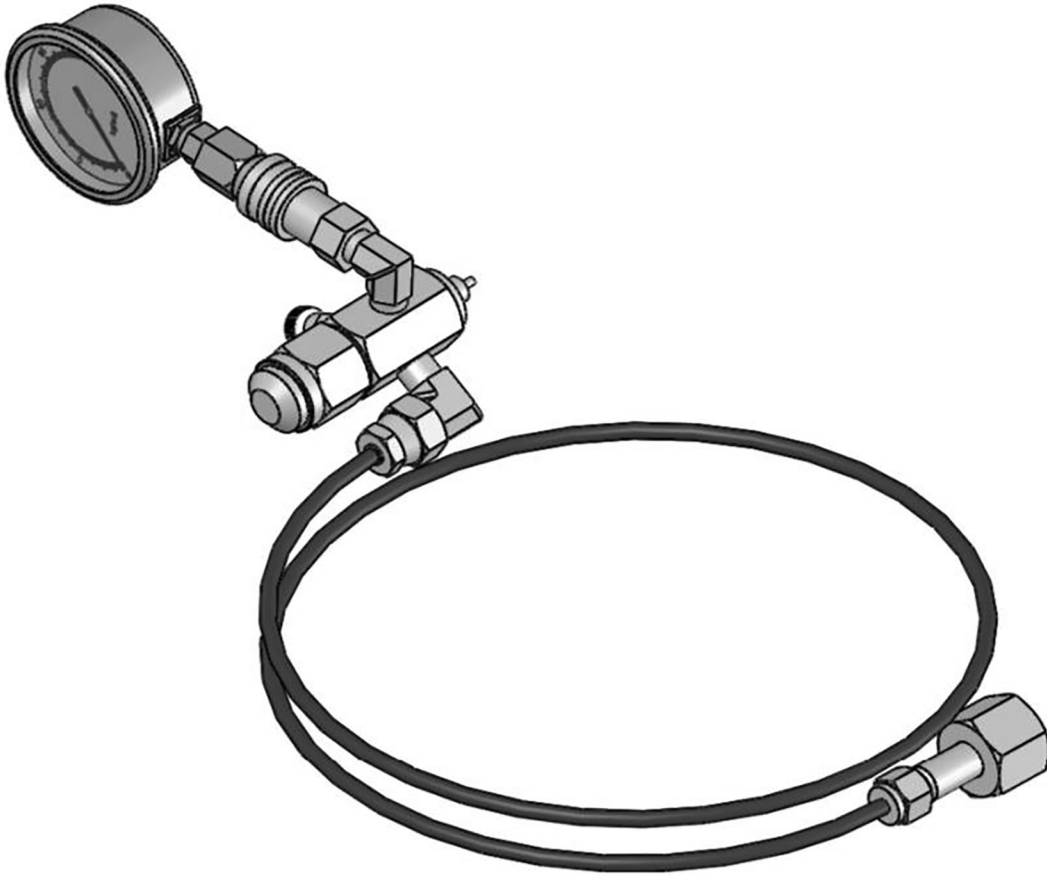


## ACCUMULATOR ASSEMBLY

ITEM	QTY	PART NUMBER	DESCRIPTION
1	1	07-8569	Accumulator Cover
2	1	07-8426	Gas Charging Bolt
3	1	--	O-Ring*
4	1	07-8427	Gas Charging Cap
5	1	--	O-Ring*
6	1	07-8416	Hex Head Plug
7	1	--	O-Ring*
8	12	07-8570	Socket Bolt
9	1	07-8571	Membrane
12	1	--	O-Ring*
13	1	--	Backup Ring*
14	4	07-8450	Socket Bolt
15	1	07-9282	Bottom Assembly

\*Part of Seal Kit

## GAS CHARGING KIT



ITEM	QTY	PART NUMBER	DESCRIPTION
1	1	07-9129	Gas Charging Kit

# WARRANTY

## **Claim Procedure**

Notify the Genesis Service Department of the potential warranty claim prior to making the repair. Digital pictures are very helpful for diagnosing problems and recommending repairs.

Contact the Genesis Service Department before making alterations, changes or repairs to any component that is going to be considered for warranty. Not doing so will void all Genesis warranty consideration.

The Genesis Service Department will issue an authorization number to track the repair costs, outgoing parts, and/or defective parts returning to the factory.

Replacement parts must be ordered using a purchase order number. Shipping is standard ground. Overnight shipping is available by request, and Genesis will not cover the shipping charge.

When the repair is complete, submit an invoice to the Genesis Service Department within 30 days. Include itemized internal labor reporting, parts lists and invoices for outside contractors. Reference the authorization number on all invoices.

When returning parts for warranty consideration, include a copy of any related Genesis paperwork along with any other necessary documentation to ensure proper processing and credit. The Genesis Service Department will provide the necessary forms.

Your account will be credited when the warranty claim is accepted.

**Please direct any questions to the Genesis Service Department: 715-395-5252**

# PARTS ORDER POLICY AND PROCEDURE

## **Parts Orders Should Include**

- Purchase order number
- Model and serial number of attachment
- Part number and quantity needed
- Shipping and billing address
- Method of shipment or required delivery date

## **Placing Orders**

Orders may be placed by phone, e-mail or fax. To fax an order, use the form on the following page. Contact information is located at the front of this manual.

## **Part Numbers**

Part numbers are listed in a separate Parts Manual or, if included, the Parts section of this manual. Contact the Genesis Parts Department with questions regarding part numbers, availability and pricing.

## **Shipping**

All orders will be shipped best way surface unless an alternate shipping method is requested. Shipping charges are not included in the purchase price of parts.

## **Invoices**

All invoices are due upon receipt. Any accounts with invoices open beyond 60 days are subject to review and may be placed on C.O.D. status without further notice.

## **Returns**

Unused Genesis parts may be returned with proper documentation. Return shipping is the responsibility of the purchaser. Credit will be issued upon return, less a 20% restocking fee. Documentation is required for credit of returned parts. Contact the Genesis Parts Department at 715-395-5252 for an RGA (Return Goods Authorization) number and form.

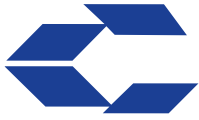
## **Return Goods Authorization**

All parts returned to Genesis for warranty consideration must be returned with a completed RGA (Return Goods Authorization) provided by the Genesis Parts Department. The form needs to be completed in its entirety, including any additional information requested by the Parts or Service Department. Return freight is the responsibility of the shipper and will be credited upon claim approval. A determination to accept or deny the claim will be made based on the information available to Genesis. Warranty on purchased parts other than wear components is 6 months. There is no warranty period on wear parts or components.



# INDEX

07-8407 Auto Shut-off Pin	13	07-8897 Stopper	5
07-8408 Metric Hollow Hex Plug	13	07-8898 Housing Toolpin Cover	5
07-8413 Upper Bushing Pin	15	07-8899 Tool Pin Stop	5
07-8414 Guide Pin	13, 15	07-8901 Cover Plate 3	5
07-8415 Socket Plug	13	07-8907 Rubber Grease	5
07-8416 Hex Head Plug	17	07-8908 Rubber Plug	5
07-8420 Hex Socket Plug	13	07-8909 Rubber Plug	5
07-8421 Adjust Bolt	13	07-8912 Hex Bolt	5
07-8422 Adjust Nut	13	07-8915 Hex Bolt	5
07-8426 Gas Charging Bolt	17	07-8917 Hex Nut	5
07-8427 Gas Charging Cap	17	07-8919 Nylon Lock Nut	5
07-8428 Heli Coil	13	07-8923 Flat Washer	5
07-8429 Gas Charging Valve Assembly	11	07-8927 Lock Washer	5
07-8435 Snap Ring	15	07-8928 Lock Washer	5
07-8436 Rubber Plug	15	07-8930 Lock Washer	5
07-8440 Snap Ring	15	07-8932 Auto Grease Pump Assembly	7
07-8441 Rubber Plug	15	07-8933 Replacement Grease Cartridge	7
07-8443 Hex Socket Plug	13, 15	07-9059 Hex Bolt	5
07-8444 Hex Socket Plug	15	07-9060 Socket Bolt	5
07-8445 Grease Nipple	15	07-9129 Gas Charging Kit	18
07-8446 Hex Socket Plug	11	07-9218 Housing	5
07-8450 Socket Bolt	17	07-9219 Base Buffer	5
07-8547 Back Head Group	9	07-9220 Top Plate Assembly	5
07-8548 Back Head	11	07-9221 Top Wearing Plate	5
07-8549 Cylinder Group	9	07-9222 Wearing Plate	5
07-8550 Cylinder	13	07-9223 Wearing Plate	5
07-8551 Piston	13	07-9224 Pin	5
07-8552 Seal Housing	13	07-9225 Shim Plate	5
07-8553 Valve Spool Guide	13	07-9226 Front Block	5
07-8554 Spool	13	07-9227 Front Plate	5
07-8555 Spool Cover	13	07-9228 Cover Plate 1	5
07-8556 Adapter	13	07-9229 Cover Plate 2	5
07-8557 Front Head Group	9	07-9282 Bottom Assembly	17
07-8558 Front Head	15	07-9302 Replacement Grease Cartridge - 20 count	7
07-8559 Upper Bushing	15	Auto Grease Cartridge	6, 7
07-8560 Tool Bushing (Box)	15	Back Head Assembly	10, 11
07-8561 Tool Pin	15	Backup Ring	13, 17
07-8562 Bushing Pin	15	Buffer Ring	13
07-8563 Side Rod Group	9	Contact Information	2, 23
07-8568 Accumulator Group	9	Cylinder Assembly	12, 13
07-8569 Accumulator Cover	17	Dust Seal	13
07-8570 Socket Bolt	17	Front Head Assembly	14, 15
07-8571 Membrane	17	Gas Charging Kit	18
07-8573 Seal Kit	9	Gas Seal	13
07-8837 Chisel Tool	9	Hammer Assembly	8, 9
07-8870 Blunt Tool	9	Housing Assembly	4, 5
07-8879 Cone Tool	9	O-Ring	11, 13, 15, 17
07-8884 Moil Tool	9	Parts Order Form	21
07-8889 Rubber (In, Out)	5	Parts Order Policy and Procedure	20
07-8890 Rubber Plug	5	Side Rod	16
07-8891 Wearing Plate	5	Step Seal	13
07-8892 Rubber Plug	5	Table of Contents	3
07-8894 Top Plate	5	U-Packing	13
07-8895 Wearing Plate	5	Warranty	19
07-8896 Top Buffer	5		



**GENESIS®**

The Promise of Performance.

## CONTACT INFORMATION

### Genesis Attachments

1000 Genesis Drive  
Superior, WI 54880 USA

Toll Free: 888-SHEAR-IT  
(888-743-2748)

Phone: 715.395.5252

E-mail:  
info@genesisattachments.com

### Europe/Africa/Middle East Genesis GmbH

Teramostrasse 23  
87700 Memmingen, Germany

Phone: +49 83 31 9 25 98 0

Fax: +49 83 31 9 25 98 80

genesis-europe.com

E-mail:  
info@genesis-europe.com

### Asia Pacific Representative Office

24 Upper Serangoon View #12-28  
Singapore 534205

Phone: +65 9673 9730

E-mail:  
tchoo@genesisattachments.com

### Central America & Colombia

Cra 13A #89-38 / Ofi 613  
Bogota, Colombia

Phone: +57 1 610 8160 / 795 8747

E-mail:  
contact@themsagroup.com

View and download all manuals: [genesisattachments.com/manuals](http://genesisattachments.com/manuals)

Patents: [genesisattachments.com/products/patents](http://genesisattachments.com/products/patents)