

Hydraulic Breaker (GHB 4000)

PARTS MANUAL



CONTACT INFORMATION

Genesis Attachments

1000 Genesis Drive
Superior, WI 54880 USA

Toll Free: 888-SHEAR-IT
(888-743-2748)

Phone: 715.395.5252

E-mail:
info@genesisattachments.com

Europe/Africa/Middle East Genesis GmbH

Teramostrasse 23
87700 Memmingen, Germany

Phone: +49 83 31 9 25 98 0
Fax: +49 83 31 9 25 98 80
genesis-europe.com

E-mail:
info@genesis-europe.com

Asia Pacific Representative Office

24 Upper Serangoon View #12-28
Singapore 534205

Phone: +65 9673 9730

E-mail:
tchoo@genesisattachments.com

Central America & Colombia

Cra 13A #89-38 / Ofi 613
Bogota, Colombia

Phone: +57 1 610 8160 / 795 8747

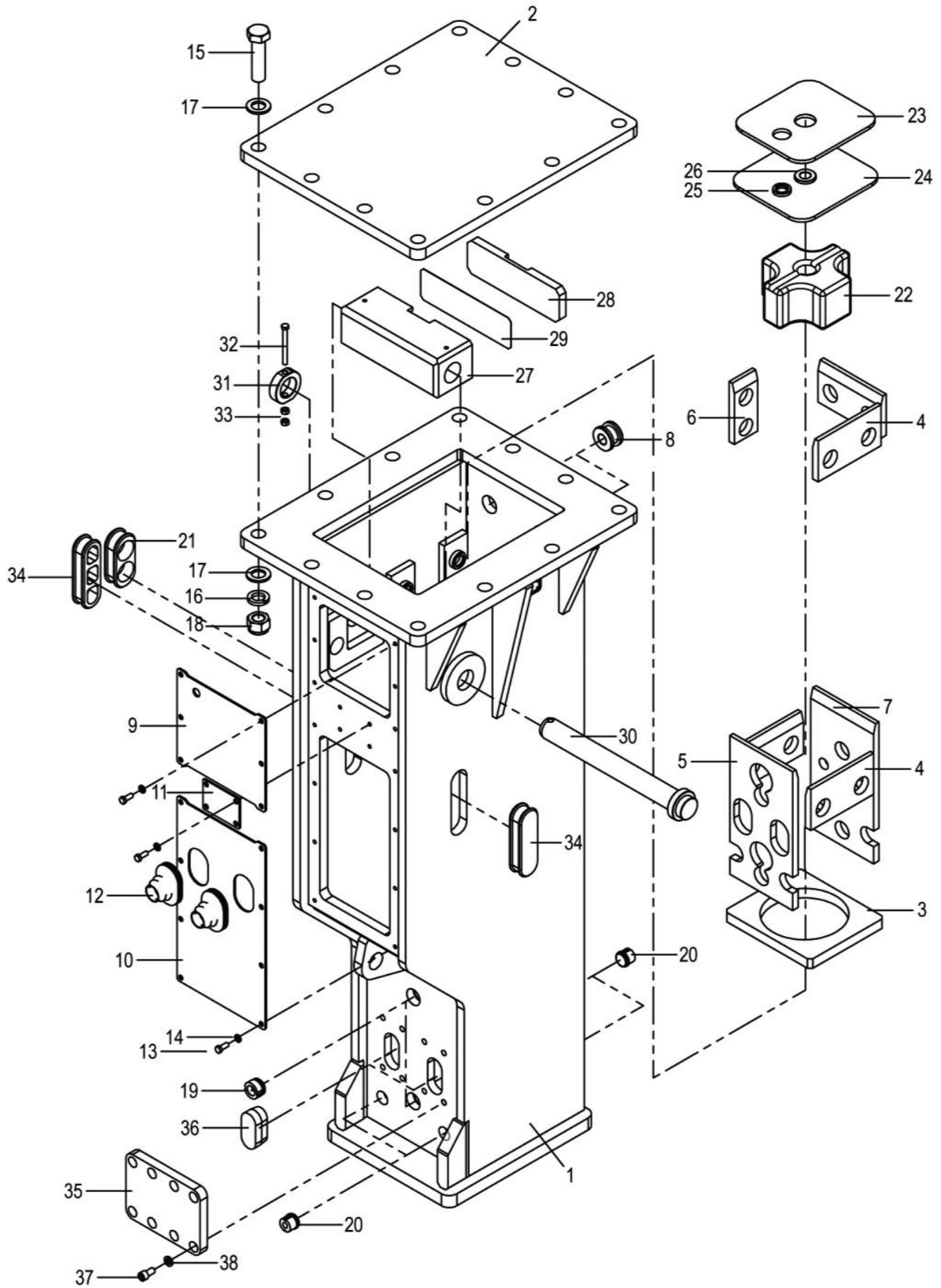
E-mail:
contact@themsagroup.com

View and download all manuals: genesisattachments.com/manuals
Patents: genesisattachments.com/products/patents

TABLE OF CONTENTS

CONTACT INFORMATION.....	2
HOUSING ASSEMBLY.....	4
AUTO GREASE CARTRIDGE.....	6
HAMMER ASSEMBLY.....	8
BACK HEAD ASSEMBLY.....	10
CYLINDER ASSEMBLY.....	12
FRONT HEAD ASSEMBLY.....	14
ACCUMULATOR ASSEMBLY.....	16
GAS CHARGING KIT.....	18
WARRANTY.....	19
PARTS ORDER POLICY AND PROCEDURE.....	20
PARTS ORDER FORM.....	21
INDEX.....	22
CONTACT INFORMATION.....	24

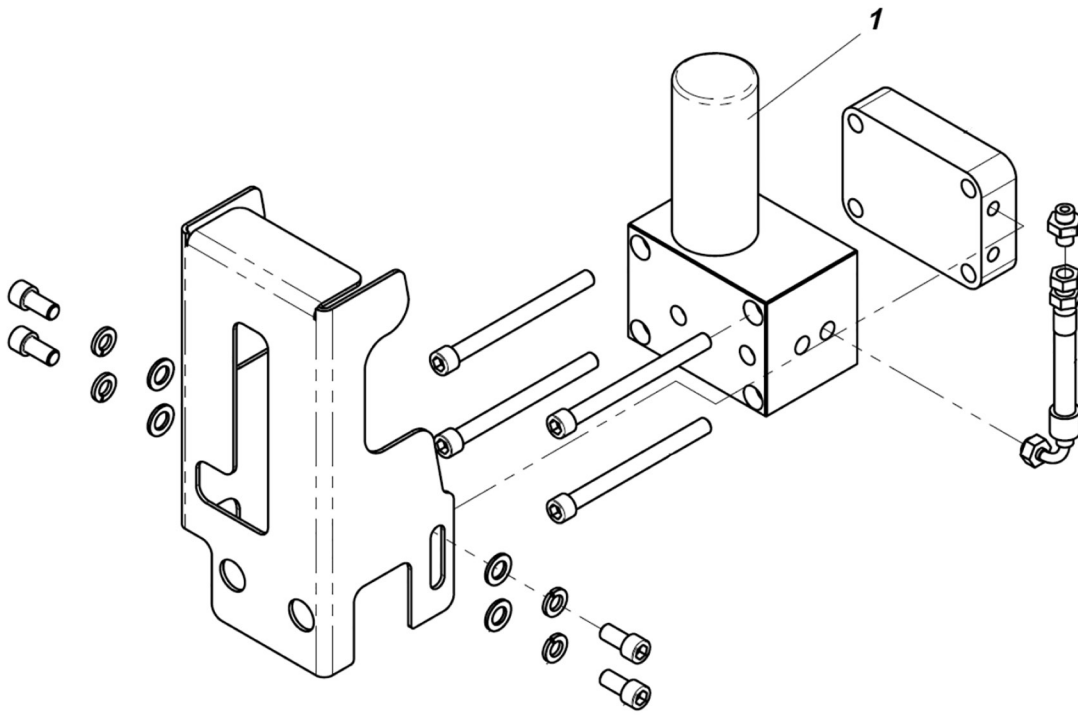
HOUSING ASSEMBLY



HOUSING ASSEMBLY

ITEM	QTY	PART NUMBER	DESCRIPTION
1	1	07-9203	Housing
2	1	07-8894	Top Plate
3	1	07-9204	Base Buffer
4	4	07-8891	Wearing Plate
5	1	07-9205	Wearing Plate
6	1	07-8895	Wearing Plate
7	1	07-9206	Wearing Plate
8	2	07-8909	Rubber Plug
9	1	07-9207	Cover Plate 1
10	1	07-9208	Cover Plate 2
11	1	07-8901	Cover Plate 3
12	2	07-8889	Rubber (In, Out)
13	14	07-8913	Hex Bolt
14	14	07-8927	Lock Washer
15	12	07-8915	Hex Bolt
16	12	07-8930	Lock Washer
17	24	07-8923	Flat Washer
18	12	07-8919	Nylon Lock Nut
19	2	07-8907	Rubber Grease
20	4	07-8908	Rubber Plug
21	1	07-8890	Rubber Plug
22	1	07-8893	Top Buffer
23	1	07-9209	Top Wearing Plate
24	1	07-9210	Top Plate
25	1	07-9211	Wearing Pin
26	1	07-9212	Top Plate Assembly
27	1	07-9213	Front Block
28	1	07-9214	Front Plate
29	1	07-9215	Shim Plate
30	1	07-9216	Pin
31	1	07-8897	Stopper
32	1	07-8912	Hex Bolt
33	2	07-8917	Hex Nut
34	2	07-8892	Rubber Plug
35	1	07-8898	Housing Toolpin Cover
36	2	07-8904	Toolpin Stop
37	8	07-8925	Socket Bolt
38	8	07-8928	Lock Washer

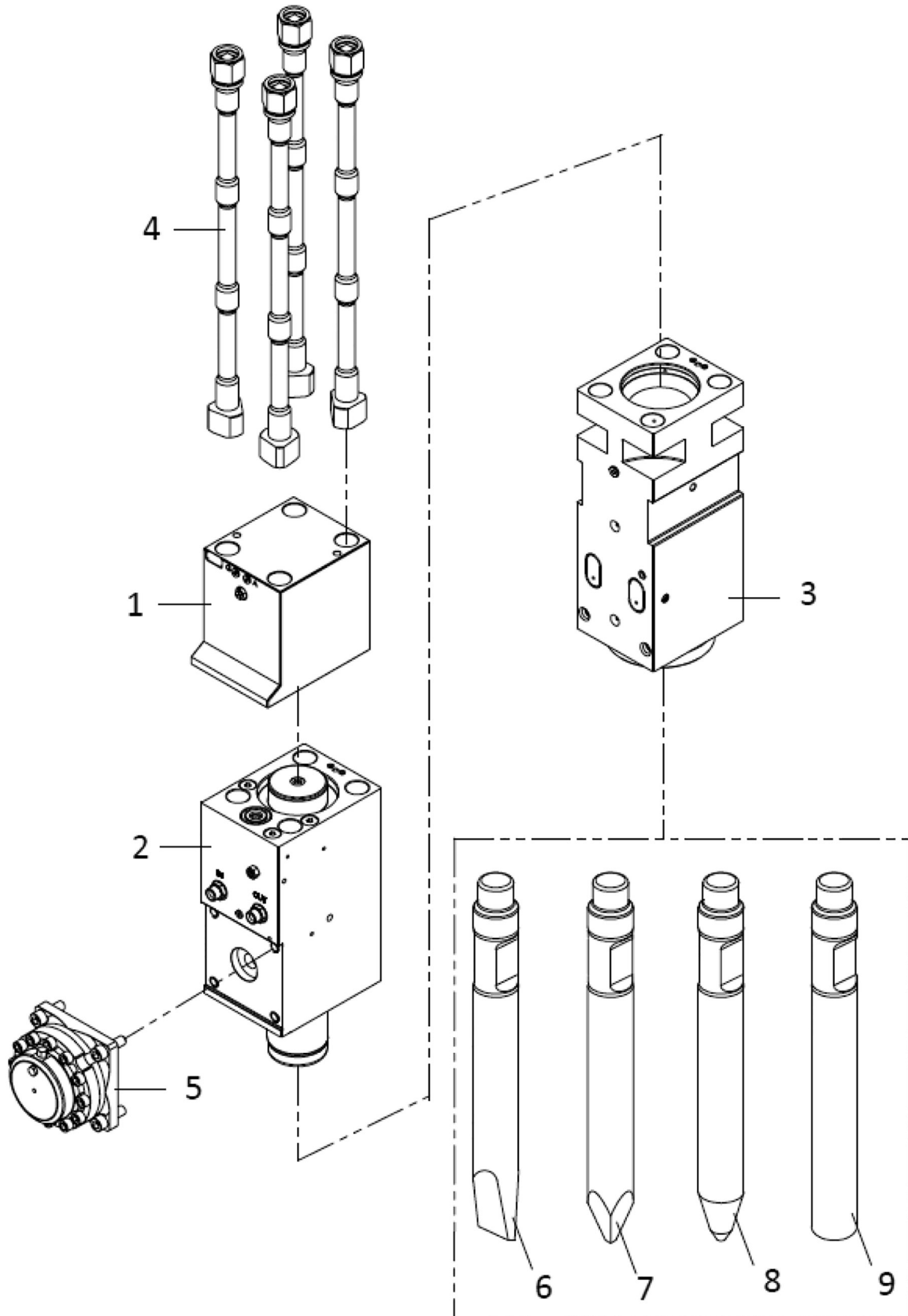
AUTO GREASE CARTRIDGE



AUTO GREASE CARTRIDGE

ITEM	QTY	PART NUMBER	DESCRIPTION
1	1	07-8932	Auto Grease Pump Assembly
	1	07-8933	Replacement Grease Cartridge
	1	07-9302	Replacement Grease Cartridge - 20 count

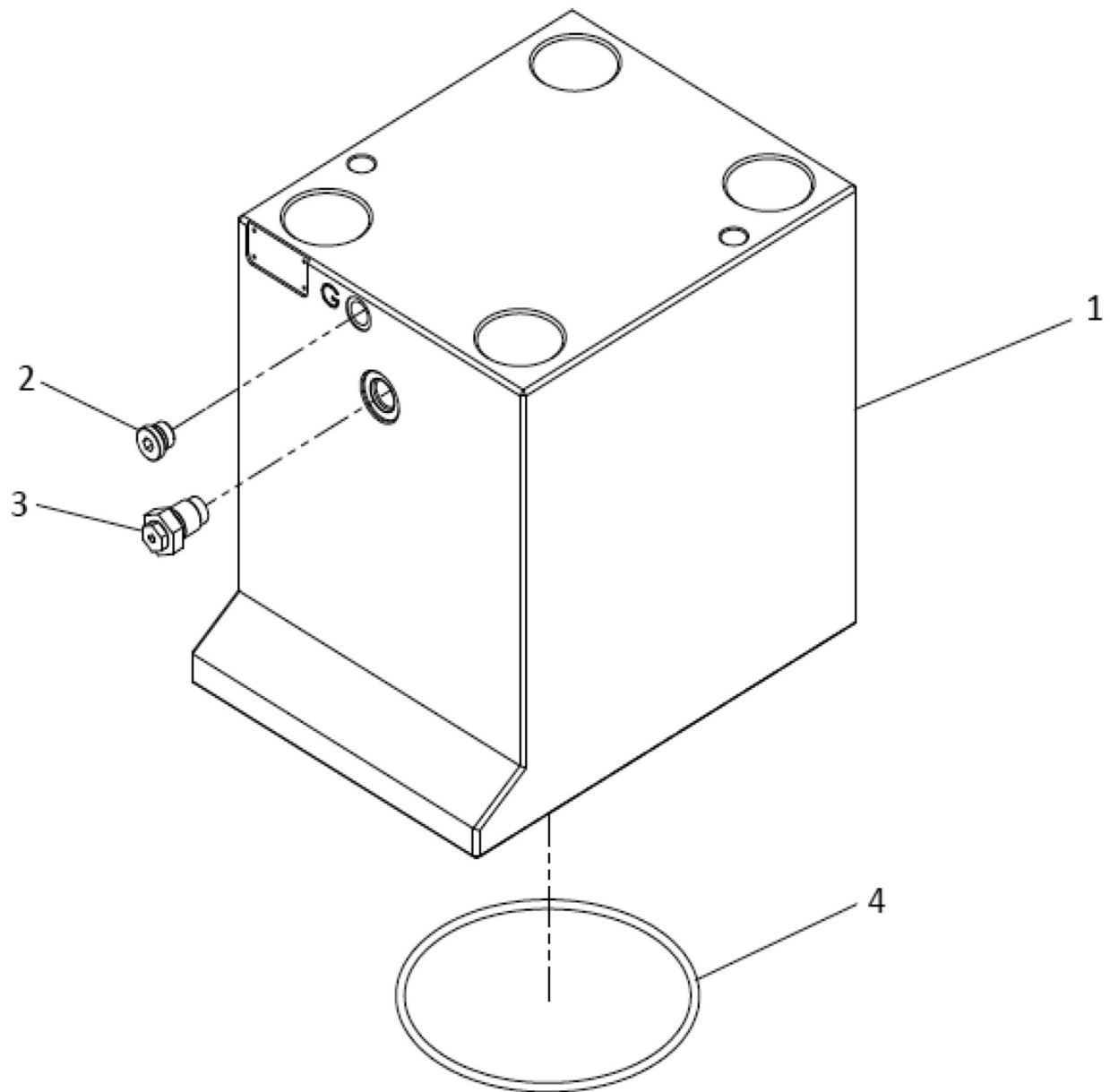
HAMMER ASSEMBLY



HAMMER ASSEMBLY

ITEM	QTY	PART NUMBER	DESCRIPTION
1	1	07-8719	Back Head Group
2	1	07-8722	Cylinder Group
3	1	07-8730	Front Head Group
4	4	07-8738	Side Rod Group
5	1	07-8745	Accumulator Group
6	1	07-8848	Chisel Tool
7	1	07-8862	Moil Tool
8	1	07-8855	Cone Tool
9	1	07-8841	Blunt Tool
	1	07-8746	Seal Kit

BACK HEAD ASSEMBLY

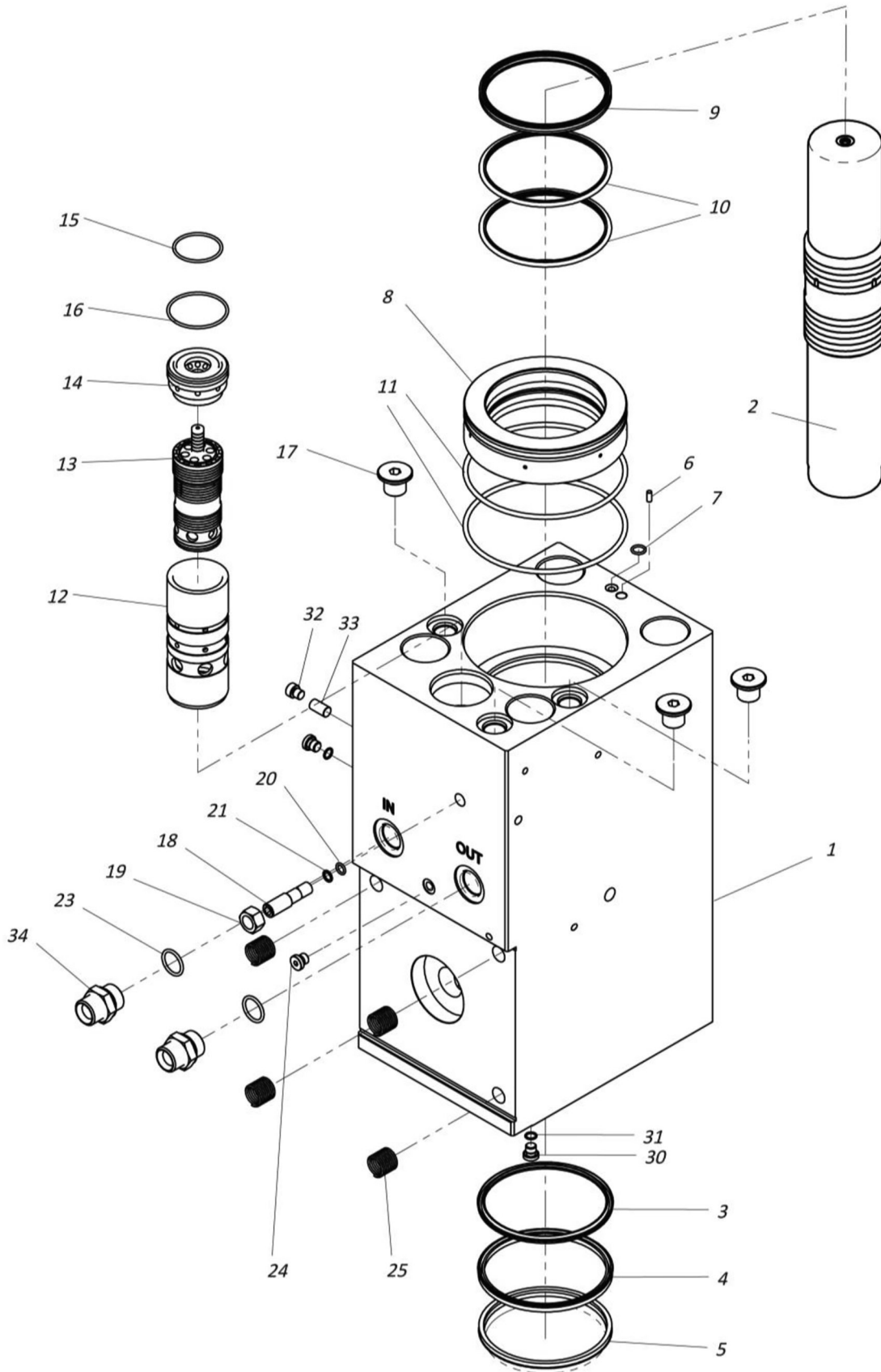


BACK HEAD ASSEMBLY

ITEM	QTY	PART NUMBER	DESCRIPTION
1	1	07-8720	Back Head
2	1	07-8446	Hex Socket Plug
3	1	07-8429	Gas Charging Valve Assembly
4	1	*	O-Ring

* Not Sold Separately. See Hammer Assembly for Seal Kit.

CYLINDER ASSEMBLY

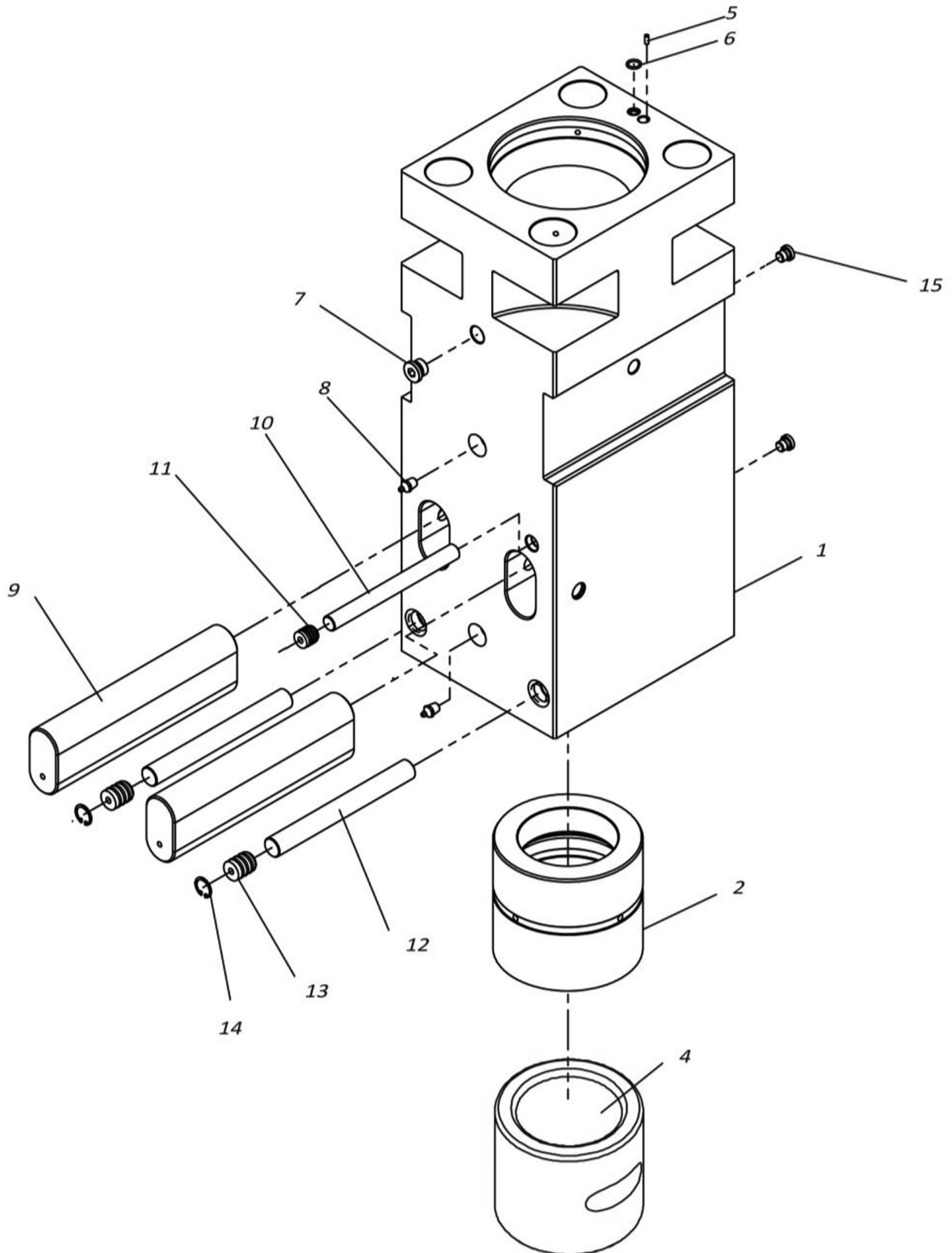


CYLINDER ASSEMBLY

ITEM	QTY	PART NUMBER	DESCRIPTION
1	1	07-8723	Cylinder
2	1	07-8724	Piston
3	1	*	Buffer Ring (Part of Seal Kit)
4	1	*	U-Packing (Part of Seal Kit)
5	1	*	Dust Seal (Part of Seal Kit)
6	1	07-8414	Guide Pin
7	1	*	O-Ring (Part of Seal Kit)
8	1	07-8725	Seal Housing
9	1	*	Gas Seal (Part of Seal Kit)
10	2	*	Step Seal (Part of Seal Kit)
11	2	*	O-Ring (Part of Seal Kit)
12	1	07-8726	Valve Spool Guide
13	1	07-8727	Spool
14	1	07-8728	Spool Cover
15	1	*	O-Ring (Part of Seal Kit)
16	1	*	O-Ring (Part of Seal Kit)
17	3	07-8439	Hex Socket Plug
18	1	07-8421	Adjust Bolt
19	1	07-8422	Adjust Nut
20	1	*	O-Ring (Part of Seal Kit)
21	1	*	Backup Ring (Part of Seal Kit)
22	2	07-8729	Adapter
23	2	*	O-Ring (Part of Seal Kit)
24	1	07-8443	Socket Plug
25	4	07-8428	Heli Coil
30	2	07-8415	Socket Plug
31	2	*	O-Ring (Part of Seal Kit)
32	1	07-8408	Metric Hollow Hex Plug
33	1	07-8407	Auto Shut-off Pin

* Not Sold Separately. See Hammer Assembly for Seal Kit.

FRONT HEAD ASSEMBLY

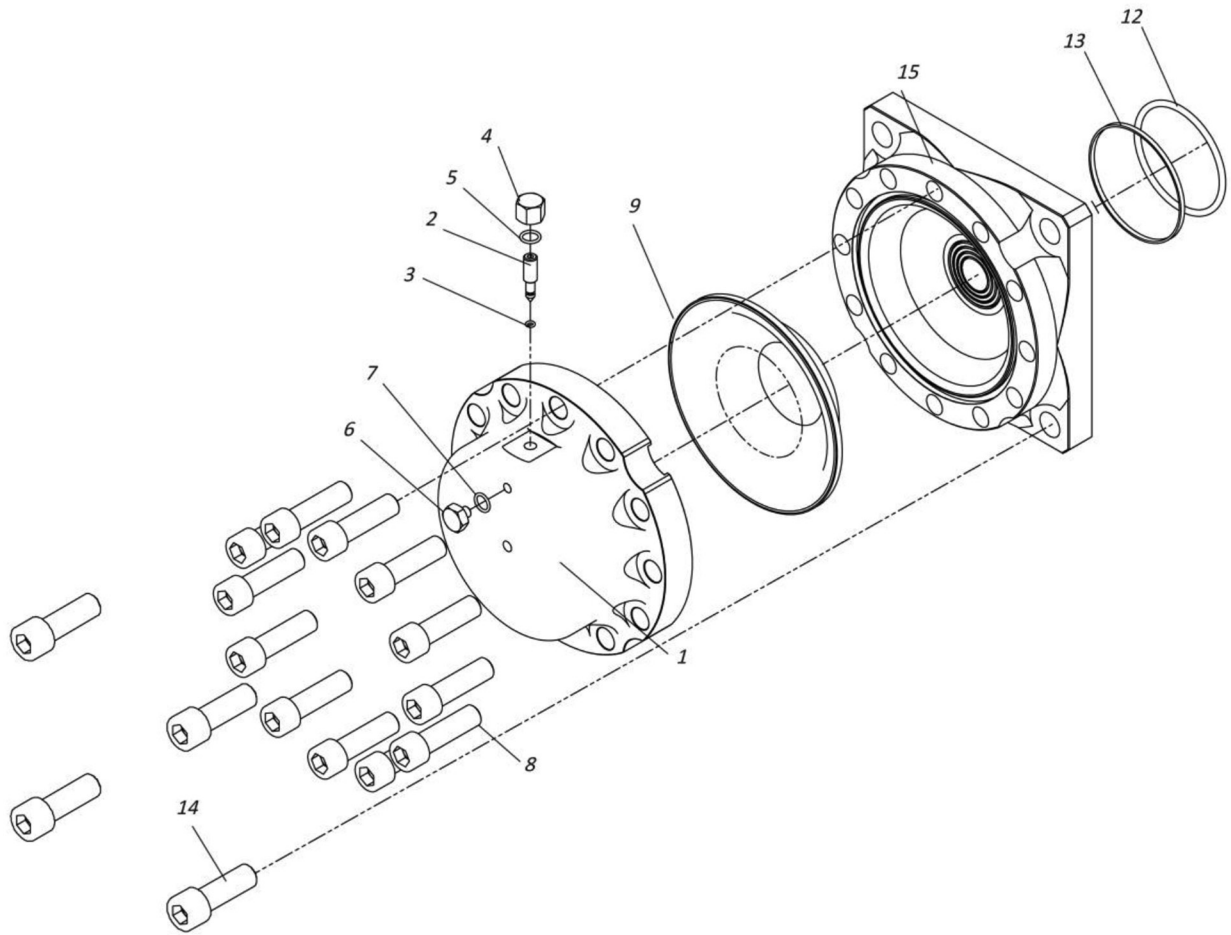


FRONT HEAD ASSEMBLY

ITEM	QTY	PART NUMBER	DESCRIPTION
1	1	07-8731	Front Head
2	1	07-8732	Upper Bushing
4	1	07-8733	Tool Bushing (Box)
5	1	07-8414	Guide Pin
6	1	*	O-Ring
7	1	07-8444	Hex Socket Plug (Part of Seal Kit)
8	2	07-8445	Grease Nipple
9	2	07-8734	Tool Pin
10	1	07-8735	Upper Bushing Pin
11	1	07-8405	Rubber Plug
12	2	07-8736	Bushing Pin
13	2	07-8438	Rubber Plug
14	2	07-8437	Snap Ring
15	2	07-8443	Hex Socket Plug

* Not Sold Separately. See Hammer Assembly for Seal Kit.

ACCUMULATOR ASSEMBLY

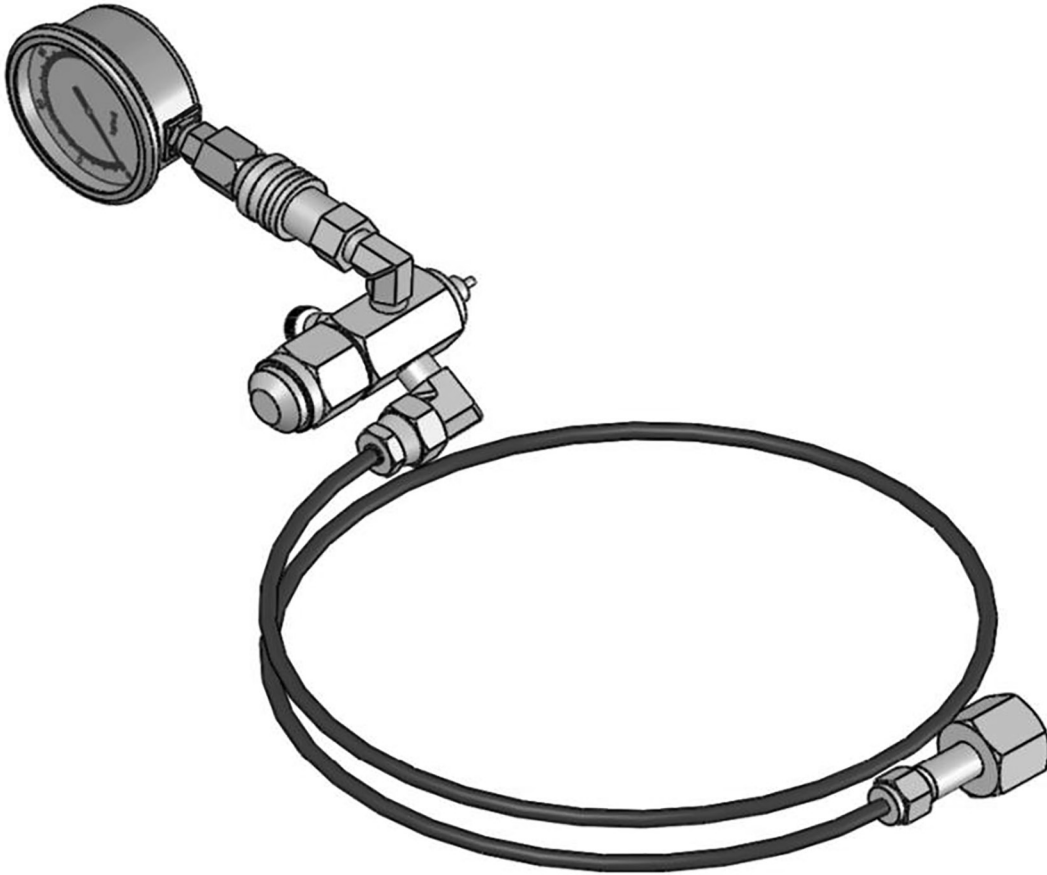


ACCUMULATOR ASSEMBLY

ITEM	QTY	PART NUMBER	DESCRIPTION
1	1	07-8409	Accumulator Cover
2	1	07-8410	Gas Charging Bolt
3	1	*	O-Ring (Part of Seal Kit)
4	1	07-8427	Gas Charging Cap
5	1	*	O-Ring (Part of Seal Kit)
6	1	07-8416	Hex Head Plug
7	1	*	O-Ring (Part of Seal Kit)
8	12	07-8448	Socket Bolt
9	1	07-8434	Membrane
10	1	07-9281	Bottom Assembly
11	1	*	Inner Valve Assembly
12	1	*	O-Ring (Part of Seal Kit)
13	1	*	Backup Ring (Part of Seal Kit)
14	4	07-8450	Socket Bolt

* Not Sold Separately. See Hammer Assembly for Seal Kit.

GAS CHARGING KIT



ITEM	QTY	PART NUMBER	DESCRIPTION
1	1	07-9129	Gas Charging Kit

WARRANTY

Claim Procedure

Notify the Genesis Service Department of the potential warranty claim prior to making the repair. Digital pictures are very helpful for diagnosing problems and recommending repairs.

Contact the Genesis Service Department before making alterations, changes or repairs to any component that is going to be considered for warranty. Not doing so will void all Genesis warranty consideration.

The Genesis Service Department will issue an authorization number to track the repair costs, outgoing parts, and/or defective parts returning to the factory.

Replacement parts must be ordered using a purchase order number. Shipping is standard ground. Overnight shipping is available by request, and Genesis will not cover the shipping charge.

When the repair is complete, submit an invoice to the Genesis Service Department within 30 days. Include itemized internal labor reporting, parts lists and invoices for outside contractors. Reference the authorization number on all invoices.

When returning parts for warranty consideration, include a copy of any related Genesis paperwork along with any other necessary documentation to ensure proper processing and credit. The Genesis Service Department will provide the necessary forms.

Your account will be credited when the warranty claim is accepted.

Please direct any questions to the Genesis Service Department: 715-395-5252

PARTS ORDER POLICY AND PROCEDURE

Parts Orders Should Include

- Purchase order number
- Model and serial number of attachment
- Part number and quantity needed
- Shipping and billing address
- Method of shipment or required delivery date

Placing Orders

Orders may be placed by phone, e-mail or fax. To fax an order, use the form on the following page. Contact information is located at the front of this manual.

Part Numbers

Part numbers are listed in a separate Parts Manual or, if included, the Parts section of this manual. Contact the Genesis Parts Department with questions regarding part numbers, availability and pricing.

Shipping

All orders will be shipped best way surface unless an alternate shipping method is requested. Shipping charges are not included in the purchase price of parts.

Invoices

All invoices are due upon receipt. Any accounts with invoices open beyond 60 days are subject to review and may be placed on C.O.D. status without further notice.

Returns

Unused Genesis parts may be returned with proper documentation. Return shipping is the responsibility of the purchaser. Credit will be issued upon return, less a 20% restocking fee. Documentation is required for credit of returned parts. Contact the Genesis Parts Department at 715-395-5252 for an RGA (Return Goods Authorization) number and form.

Return Goods Authorization

All parts returned to Genesis for warranty consideration must be returned with a completed RGA (Return Goods Authorization) provided by the Genesis Parts Department. The form needs to be completed in its entirety, including any additional information requested by the Parts or Service Department. Return freight is the responsibility of the shipper and will be credited upon claim approval. A determination to accept or deny the claim will be made based on the information available to Genesis. Warranty on purchased parts other than wear components is 6 months. There is no warranty period on wear parts or components.



PARTS ORDER FORM

Customer: _____ Date: _____

Phone: _____ Contact: _____

Shipping Address: _____ E-mail: _____

_____ Billing Address: _____

Purchase Order: _____ Shipping Method: _____

Model: _____ Serial Number: _____

Quantity	Part Number	Description	Price

E-mail to the Genesis Parts Department: genesisparts@genesisattachments.com
 For assistance, call 715-395-5252

INDEX

07-8405 Rubber Plug	15	07-8898 Housing Toolpin Cover	5
07-8407 Auto Shut-off Pin	13	07-8901 Cover Plate 3	5
07-8408 Metric Hollow Hex Plug	13	07-8904 Toolpin Stop	5
07-8409 Accumulator Cover	17	07-8907 Rubber Grease	5
07-8410 Gas Charging Bolt	17	07-8908 Rubber Plug	5
07-8414 Guide Pin	13, 15	07-8909 Rubber Plug	5
07-8415 Socket Plug	13	07-8912 Hex Bolt	5
07-8416 Hex Head Plug	17	07-8913 Hex Bolt	5
07-8421 Adjust Bolt	13	07-8915 Hex Bolt	5
07-8422 Adjust Nut	13	07-8917 Hex Nut	5
07-8427 Gas Charging Cap	17	07-8919 Nylon Lock Nut	5
07-8428 Heli Coil	13	07-8923 Flat Washer	5
07-8429 Gas Charging Valve Assembly	11	07-8925 Socket Bolt	5
07-8434 Membrane	17	07-8927 Lock Washer	5
07-8437 Snap Ring	15	07-8928 Lock Washer	5
07-8438 Rubber Plug	15	07-8930 Lock Washer	5
07-8439 Hex Socket Plug	13	07-8932 Auto Grease Pump Assembly	7
07-8443 Hex Socket Plug	15	07-8933 Replacement Grease Cartridge	7
07-8443 Socket Plug	13	07-9129 Gas Charging Kit	18
07-8444 Hex Socket Plug (Part of Seal Kit)	15	07-9203 Housing	5
07-8445 Grease Nipple	15	07-9204 Base Buffer	5
07-8446 Hex Socket Plug	11	07-9205 Wearing Plate	5
07-8448 Socket Bolt	17	07-9206 Wearing Plate	5
07-8450 Socket Bolt	17	07-9207 Cover Plate 1	5
07-8719 Back Head Group	9	07-9208 Cover Plate 2	5
07-8720 Back Head	11	07-9209 Top Wearing Plate	5
07-8722 Cylinder Group	9	07-9210 Top Plate	5
07-8723 Cylinder	13	07-9211 Wearing Pin	5
07-8724 Piston	13	07-9212 Top Plate Assembly	5
07-8725 Seal Housing	13	07-9213 Front Block	5
07-8726 Valve Spool Guide	13	07-9214 Front Plate	5
07-8727 Spool	13	07-9215 Shim Plate	5
07-8728 Spool Cover	13	07-9216 Pin	5
07-8729 Adapter	13	07-9281 Bottom Assembly	17
07-8730 Front Head Group	9	07-9302 Replacement Grease Cartridge - 20 count	7
07-8731 Front Head	15	Accumulator Assembly	16, 17
07-8732 Upper Bushing	15	Auto Grease Cartridge	6, 7
07-8733 Tool Bushing (Box)	15	Back Head Assembly	10, 11
07-8734 Tool Pin	15	Backup Ring	13, 17
07-8735 Upper Bushing Pin	15	Box Housing	4
07-8736 Bushing Pin	15	Buffer Ring	13
07-8738 Side Rod Group	9	Contact Information	2, 24
07-8745 Accumulator Group	9	Cylinder Assembly	12, 13
07-8746 Seal Kit	9	Dust Seal	13
07-8841 Blunt Tool	9	Front Head Assembly	14, 15
07-8848 Chisel Tool	9	Gas Charging Kit	18
07-8855 Cone Tool	9	Gas Seal	13
07-8862 Moil Tool	9	Hammer Assembly	8, 9
07-8889 Rubber (In, Out)	5	Housing Assembly	4, 5
07-8890 Rubber Plug	5	Inner Valve Assembly	17
07-8892 Rubber Plug	5	O-Ring	11, 13, 15, 17
07-8893 Top Buffer	5	Parts Order Form	21
07-8894 Top Plate	5	Parts Order Policy and Procedure	20
07-8895 Wearing Plate	5	Step Seal	13
07-8897 Stopper	5	Table of Contents	3

INDEX

U-Packing	13
Warranty	19
Wearing Plate	5



GENESIS®

The Promise of Performance.

CONTACT INFORMATION

Genesis Attachments

1000 Genesis Drive
Superior, WI 54880 USA

Toll Free: 888-SHEAR-IT
(888-743-2748)

Phone: 715.395.5252

E-mail:
info@genesisattachments.com

Europe/Africa/Middle East Genesis GmbH

Teramostrasse 23
87700 Memmingen, Germany

Phone: +49 83 31 9 25 98 0

Fax: +49 83 31 9 25 98 80
genesis-europe.com

E-mail:
info@genesis-europe.com

Asia Pacific Representative Office

24 Upper Serangoon View #12-28
Singapore 534205

Phone: +65 9673 9730

E-mail:
tchoo@genesisattachments.com

Central America & Colombia

Cra 13A #89-38 / Ofi 613
Bogota, Colombia

Phone: +57 1 610 8160 / 795 8747

E-mail:
contact@themsagroup.com

View and download all manuals: genesisattachments.com/manuals
Patents: genesisattachments.com/products/patents