

**GENESIS**<sup>®</sup>

The Promise of Performance.

# Hydraulic Breaker (GHB 3000)

## PARTS MANUAL



## CONTACT INFORMATION

### Genesis Attachments

1000 Genesis Drive  
Superior, WI 54880 USA

Toll Free: 888-SHEAR-IT  
(888-743-2748)

Phone: 715.395.5252

E-mail:  
info@genesisattachments.com

### Europe/Africa/Middle East Genesis GmbH

Teramostrasse 23  
87700 Memmingen, Germany

Phone: +49 83 31 9 25 98 0  
Fax: +49 83 31 9 25 98 80  
genesis-europe.com

E-mail:  
info@genesis-europe.com

### Asia Pacific Representative Office

24 Upper Serangoon View #12-28  
Singapore 534205

Phone: +65 9673 9730

E-mail:  
tchoo@genesisattachments.com

### Central America & Colombia

Cra 13A #89-38 / Ofi 613  
Bogota, Colombia

Phone: +57 1 610 8160 / 795 8747

E-mail:  
contact@themsagroup.com

View and download all manuals: [genesisattachments.com/manuals](http://genesisattachments.com/manuals)  
Patents: [genesisattachments.com/products/patents](http://genesisattachments.com/products/patents)

## TABLE OF CONTENTS

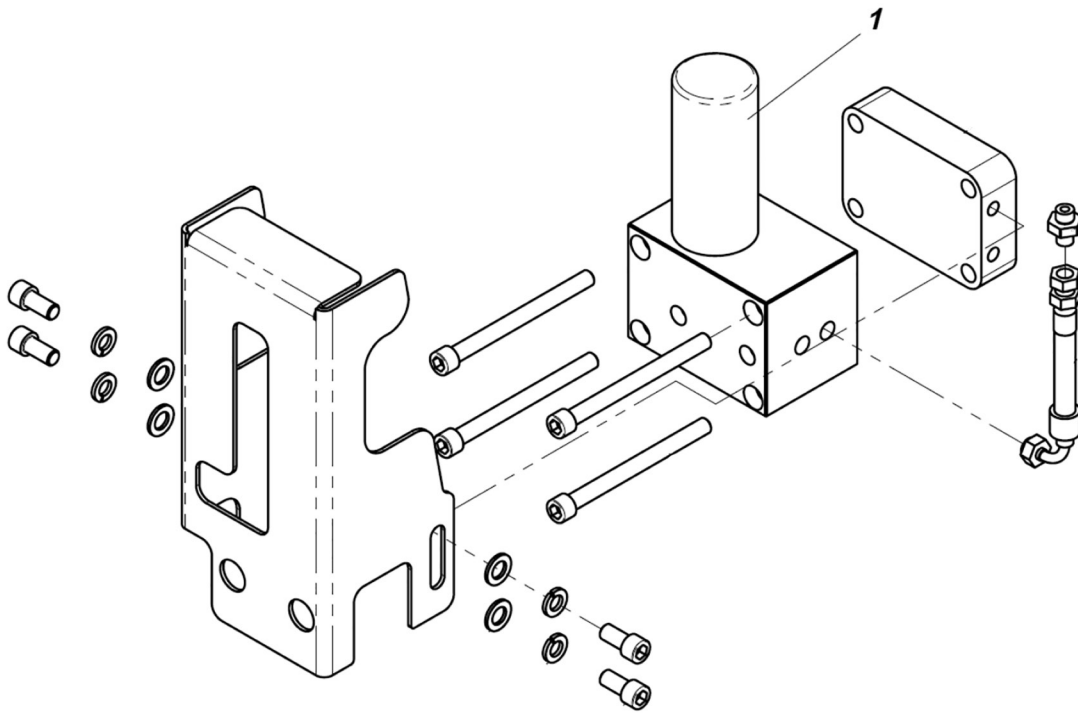
CONTACT INFORMATION .....	2
HOUSING ASSEMBLY .....	4
AUTO GREASE CARTRIDGE .....	6
HAMMER ASSEMBLY .....	8
BACK HEAD ASSEMBLY .....	10
CYLINDER ASSEMBLY .....	12
FRONT HEAD ASSEMBLY .....	14
ACCUMULATOR ASSEMBLY .....	16
GAS CHARGING KIT .....	18
WARRANTY .....	19
PARTS ORDER POLICY AND PROCEDURE .....	20
PARTS ORDER FORM .....	21
INDEX .....	22
CONTACT INFORMATION .....	23



## HOUSING ASSEMBLY

ITEM	QTY	PART NUMBER	DESCRIPTION
1	1	07-9191	Housing
2	1	07-8994	Top Plate
3	2	07-8892	Rubber Plug
4	1	07-8890	Rubber Plug
5	2	07-8907	Rubber Grease
6	4	07-8908	Rubber Plug
7	2	07-8909	Rubber Plug
8	2	07-8889	Rubber (In, Out)
9	1	07-8893	Top Buffer
10	4	07-8891	Wear Plate
11	1	07-8895	Wear Plate
12	1	07-9192	Wear Plate
13	1	07-9193	Wear Plate
14	1	07-9194	Base Buffer
15	1	07-9195	Front Block
16	1	07-9196	Shim Plate
17	1	07-9197	Front Plate
18	1	07-9198	Pin
19	1	07-8897	Stopper
20	12	07-8915	Hex Bolt
21	24	07-8923	Flat Washer
22	12	07-8930	Lock Washer
23	12	07-8919	NyLock Nut
24	1	07-8912	Hex Bolt
25	2	07-8917	Hex Nut
26	1	07-9199	Cover Plate 1
27	1	07-8901	Cover Plate 3
28	1	07-9200	Cover Plate 2
29	14	07-8913	Hex Bolt
30	14	07-8927	Lock Washer
31	2	07-8904	Tool Pin Stop
32	1	07-9201	Housing Tool Pin Cover
33	5	07-8928	Lock Washer
34	5	07-8925	Socket Bolt

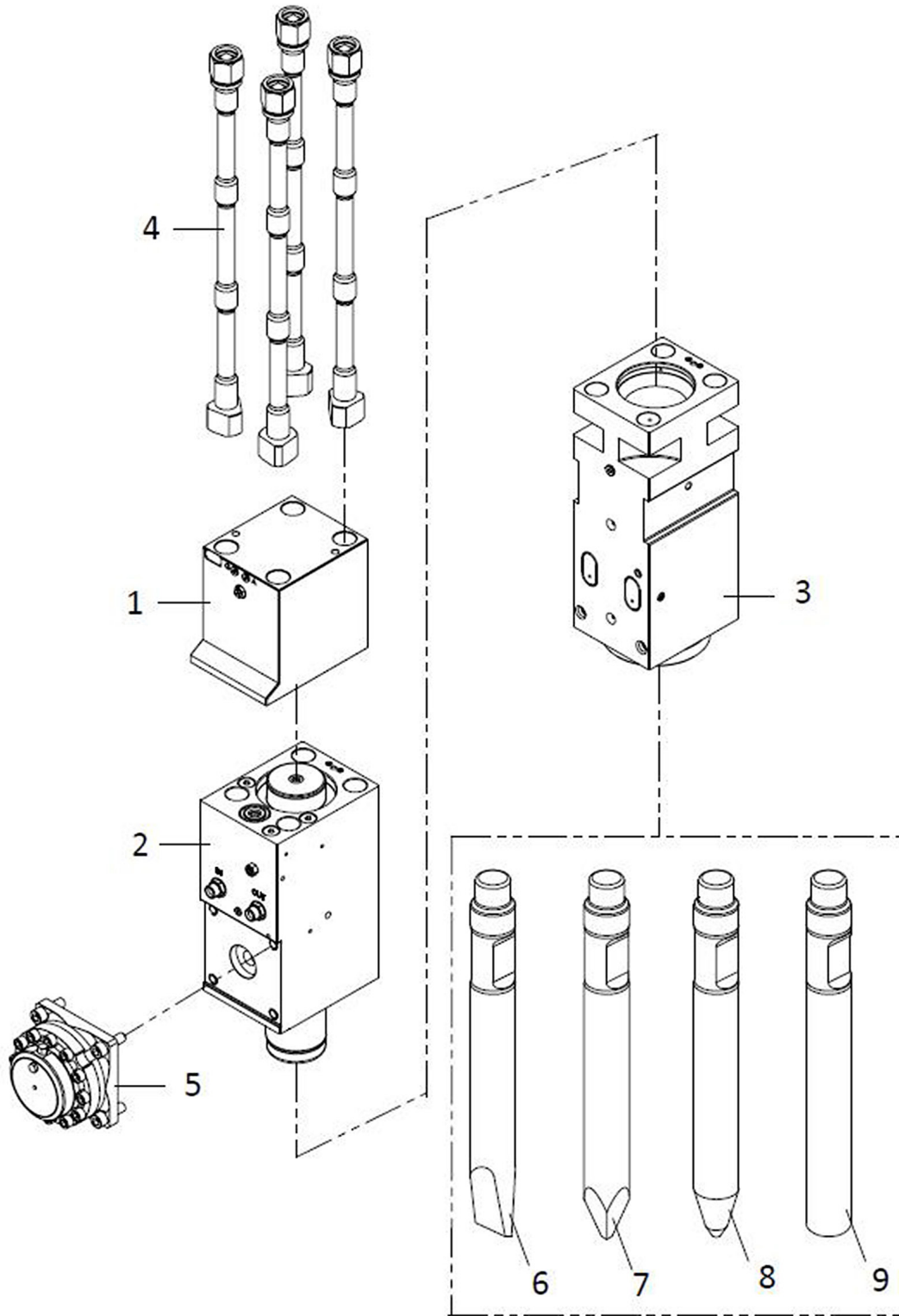
# AUTO GREASE CARTRIDGE



## AUTO GREASE CARTRIDGE

ITEM	QTY	PART NUMBER	DESCRIPTION
1	1	07-8932	Auto Grease Pump Assembly
	1	07-8933	Replacement Grease Cartridge
	1	07-9302	Replacement Grease Cartridge - 20 count

# HAMMER ASSEMBLY

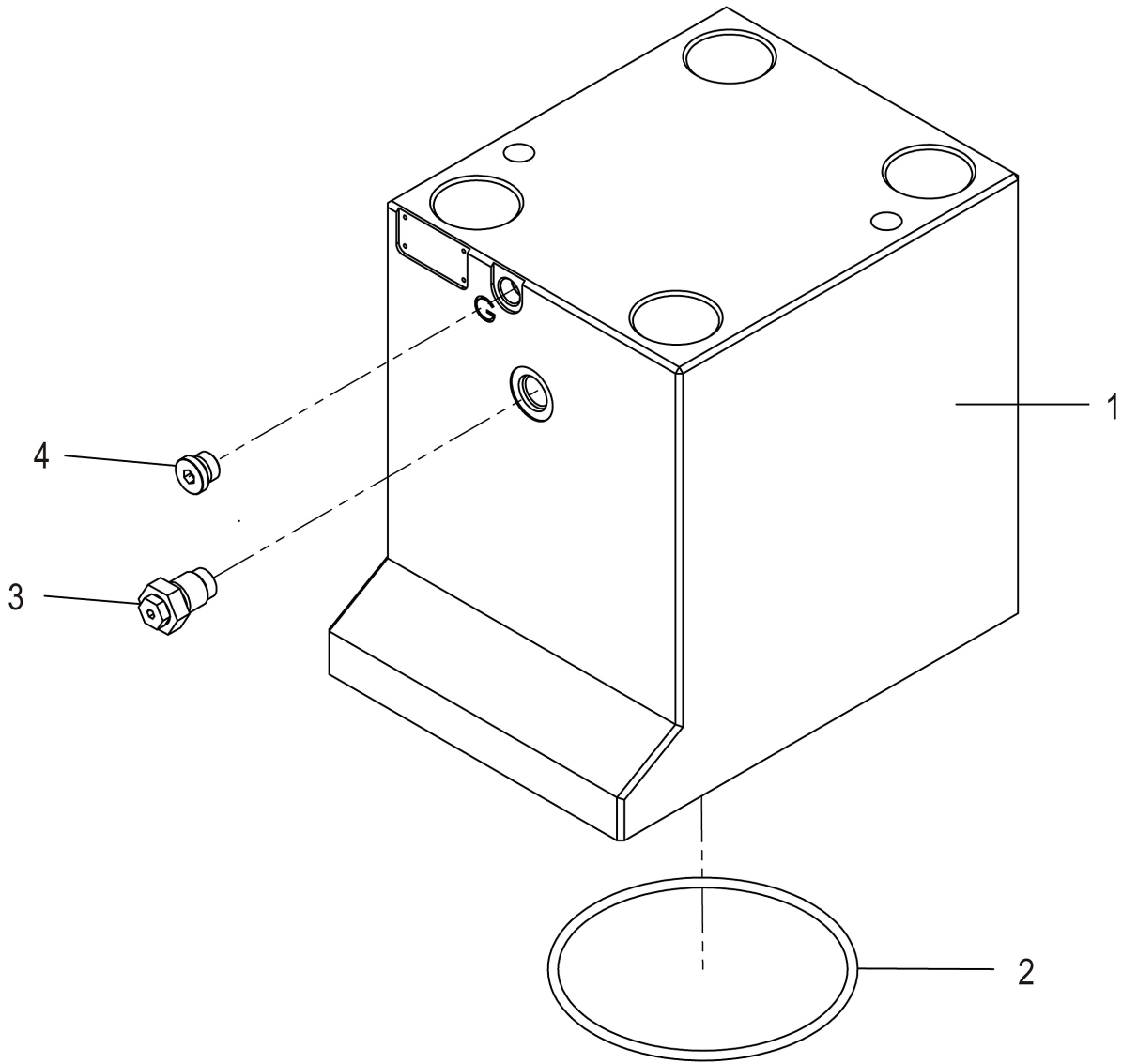




## HAMMER ASSEMBLY

ITEM	QTY	PART NUMBER	DESCRIPTION
1	1	07-8804	Back Head Body
2	1	07-8808	Cylinder Assembly
3	1	07-8823	Front Head Body
4	4	07-8818	Side Rod
5	1	07-8817	Accumulator Assembly
6	1	07-8851	Chisel Tool
7	1	07-8858	Moil Tool
8	1	07-8865	Cone Tool
9	1	07-8844	Blunt Kit
	1	07-8830	Replacement Seal Kit (Not Shown)

# BACK HEAD ASSEMBLY

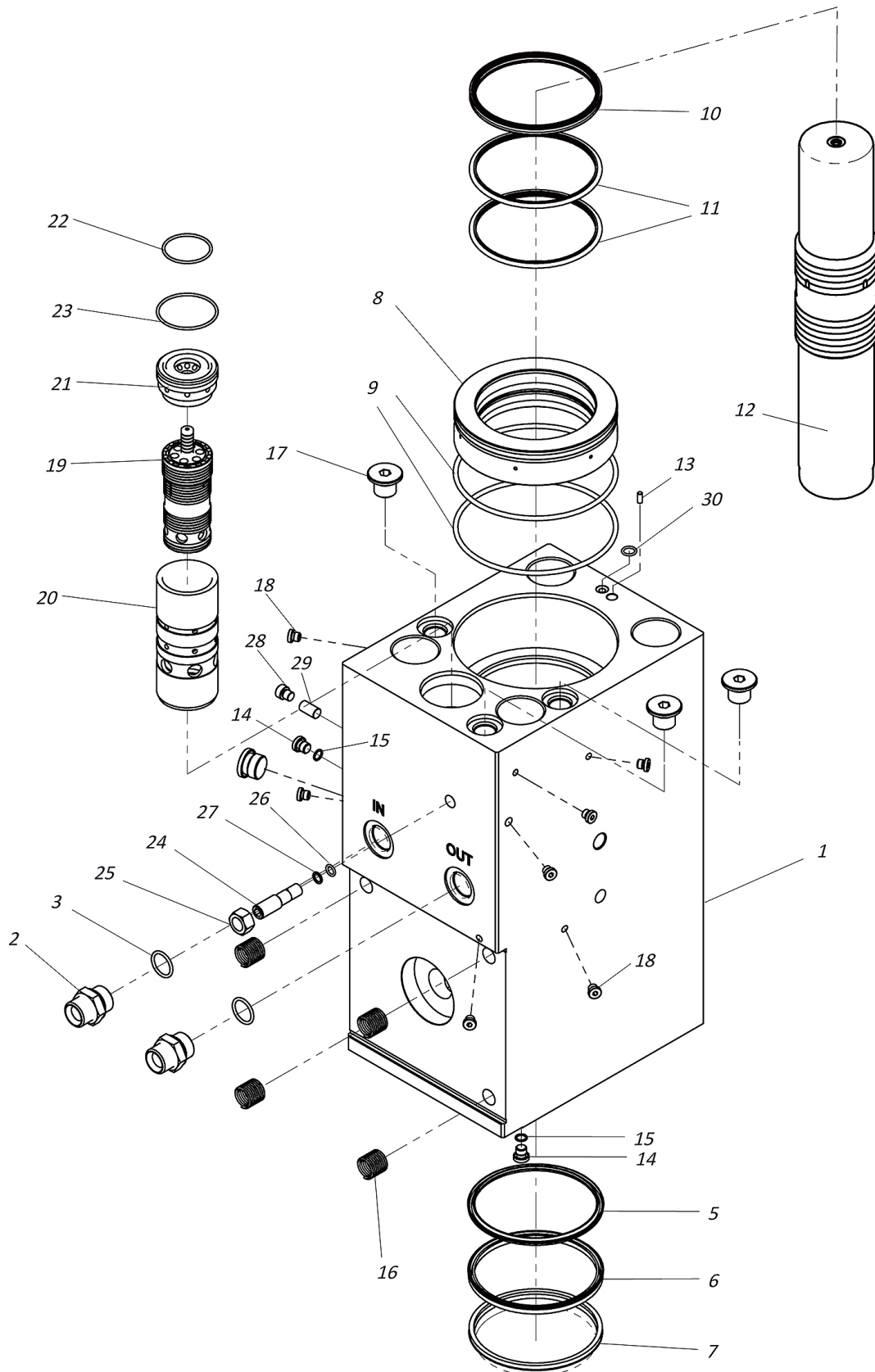


## BACK HEAD ASSEMBLY

ITEM	QTY	PART NUMBER	DESCRIPTION
1	1	07-8805	Back Head Body
2	1	*	O-Ring (Part of Seal Kit)
3	1	07-8806	Gas Charging Valve Assembly
4	1	07-8807	Socket Plug

\* Not sold separately. See Hammer Assembly for Seal Kit.

# CYLINDER ASSEMBLY

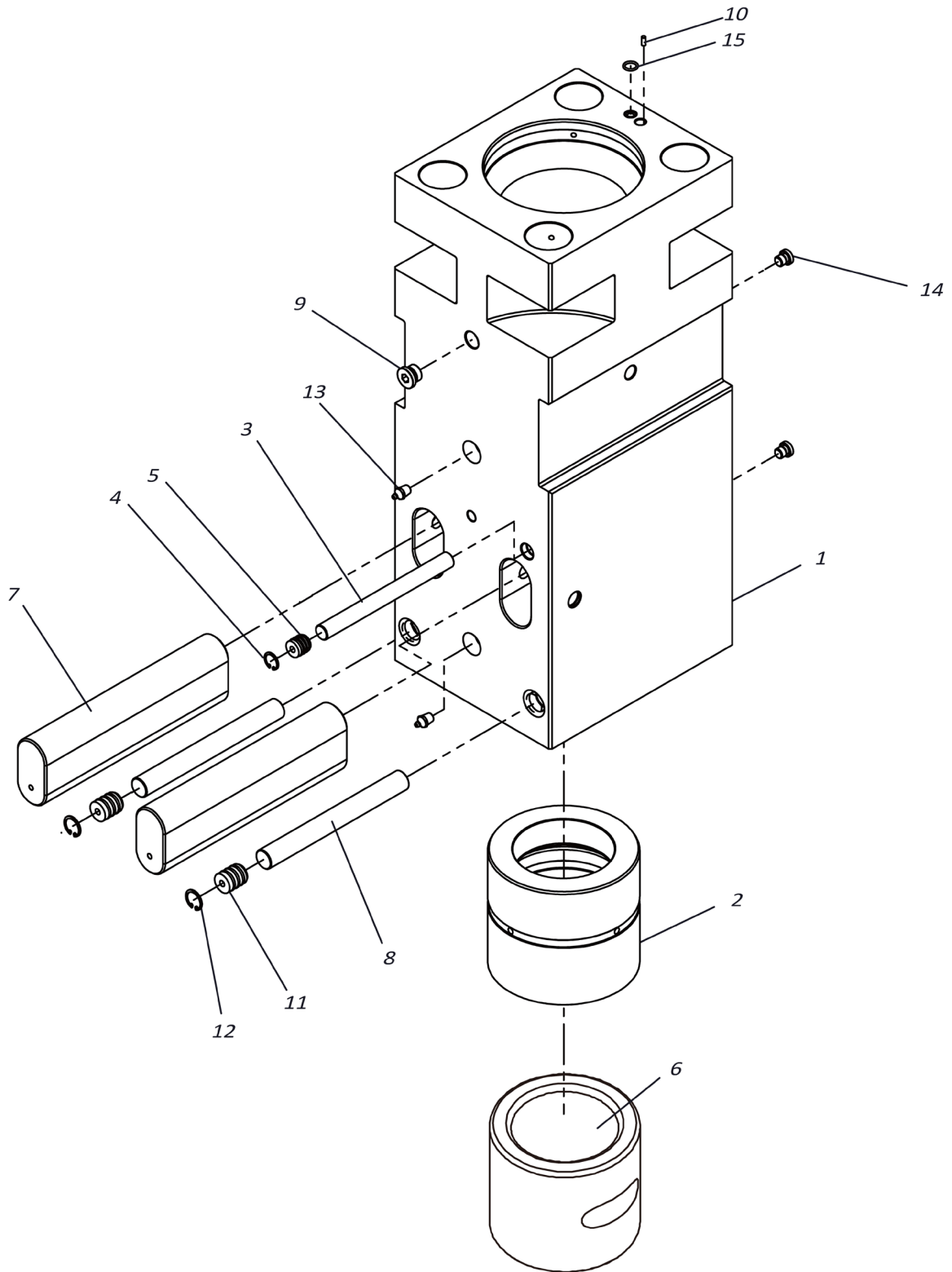


## CYLINDER ASSEMBLY

ITEM	QTY	PART NUMBER	DESCRIPTION
1	1	07-8809	Cylinder Body
2	2	07-8810	Adapter
3	2	*	O-Ring (Part of Seal Kit)
5	1	*	Buffer Ring
6	1	*	U-Packing
7	1	*	Dust Seal
8	1	07-8811	Seal Housing
9	2	*	O-Ring (Part of Seal Kit)
10	1	*	Gas Seal (Part of Seal Kit)
11	2	*	Step Seal (Part of Seal Kit)
12	1	07-8812	Piston
13	1	07-8414	Guide Pin
14	2	07-8415	Socket Plug
15	2	*	O-Ring (Part of Seal Kit)
16	4	07-8813	Heli Coil
17	4	07-8439	Socket Plug
18	7	07-8451	Socket Plug
19	1	07-8814	Operation Valve
20	1	07-8815	Operation Valve Guide
21	1	07-8816	Operation Valve Cover
22	1	*	O-Ring (Part of Seal Kit)
23	1	*	O-Ring (Part of Seal Kit)
24	1	07-8404	Valve Adjuster
25	1	07-8447	Hex Nut
26	1	*	O-Ring (Part of Seal Kit)
27	1	*	Back-up Ring (Part of Seal Kit)
28	1	07-8408	Metric Hollow Hex Plug
29	1	07-8406	Auto Shut-off Pin
30	1	*	O-Ring (Part of Seal Kit)

\* Not sold separately. See Hammer Assembly for Seal Kit.

# FRONT HEAD ASSEMBLY

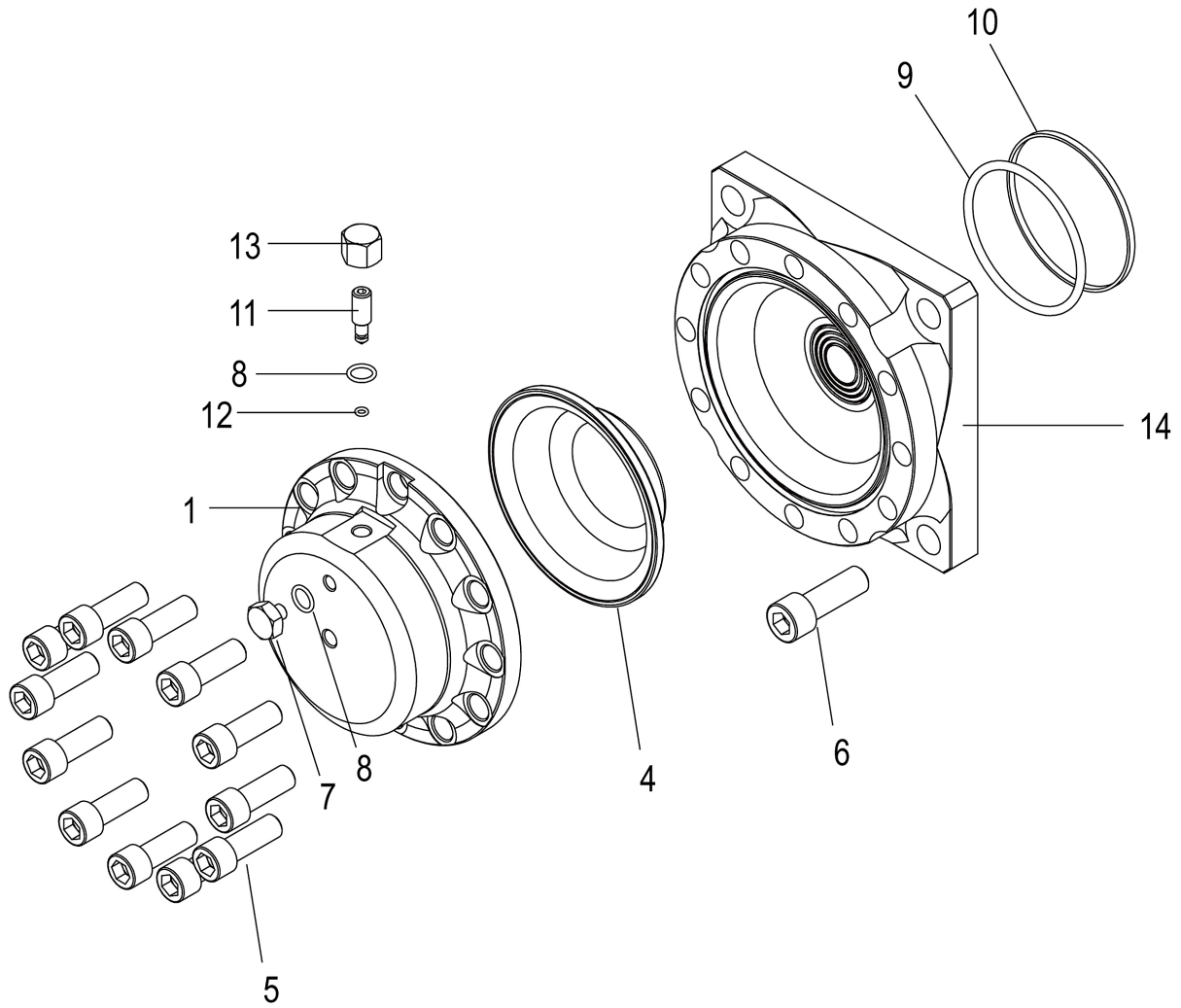


## FRONT HEAD ASSEMBLY

ITEM	QTY	PART NUMBER	DESCRIPTION
1	1	07-8824	Front Head Body
2	1	07-8825	Upper Bushing
3	1	07-8826	Bushing Pin
4	1	07-8435	Snap Ring
5	1	07-8405	Rubber Plug
6	1	07-8827	Tool Bush (Box)
7	2	07-8828	Tool Pin
8	2	07-8829	Tool Bush Pin
9	1	07-8444	Socket Plug
10	1	07-8414	Guide Pin
11	2	07-8441	Rubber Plug
12	2	07-8440	Snap Ring
13	2	07-8445	Grease Fitting
14	2	07-8443	Plug
15	1	*	O-Ring (Part of Seal Kit)

\* Not sold separately. See Hammer Assembly for Seal Kit.

# ACCUMULATOR ASSEMBLY



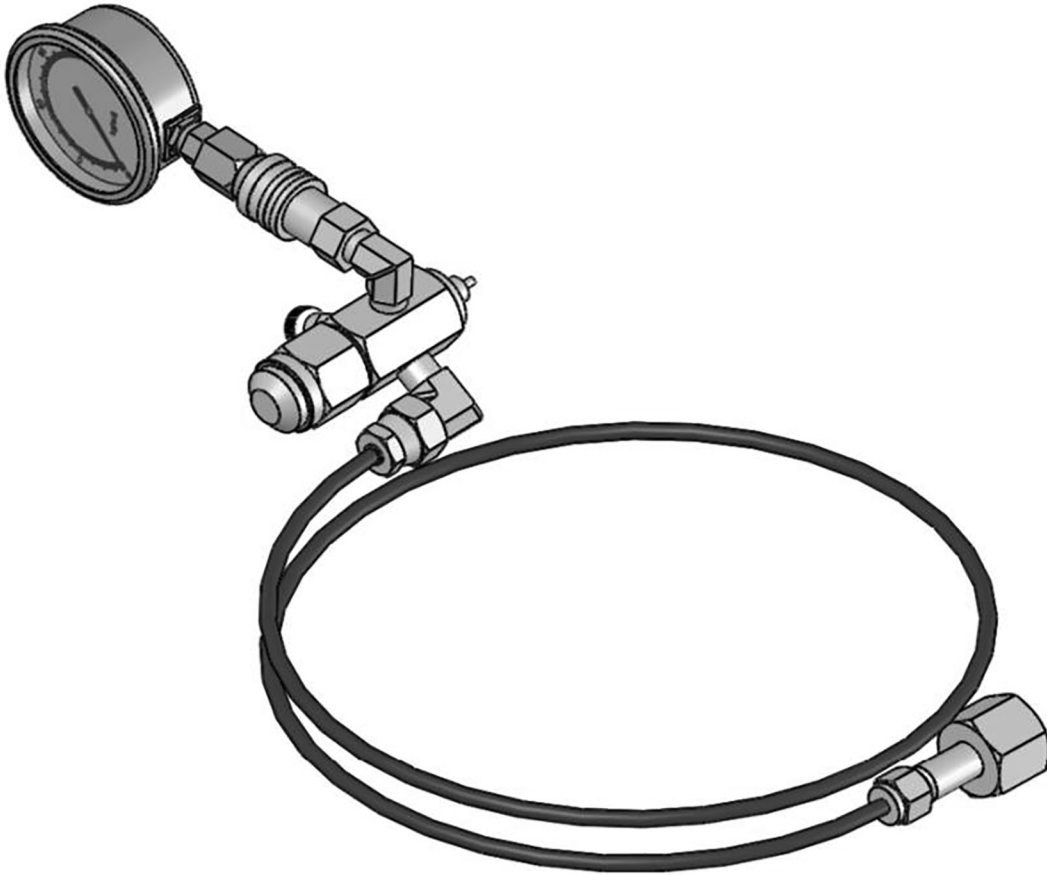


## ACCUMULATOR ASSEMBLY

ITEM	QTY	PART NUMBER	DESCRIPTION
1	1	07-8409	Accumulator Cover
4	1	07-8434	Membrane
5	12	04-8448	Socket Bolt
6	6	07-8450	Socket Bolt
7	1	07-8416	Hex Head Plug
8	2	*	O-Ring (Part of Seal Kit)
9	1	*	O-Ring (Part of Seal Kit)
10	1	*	Back-up Ring (Part of Seal Kit)
11	1	07-8410	Gas Charging Adjuster
12	1	*	O-Ring (Part of Seal Kit)
13	1	07-8427	Gas Charging Cap
14	1	07-9281	Bottom Assembly

\* Not sold separately. See Hammer Assembly for Seal Kit.

## GAS CHARGING KIT



ITEM	QTY	PART NUMBER	DESCRIPTION
1	1	07-9129	Gas Charging Kit

# WARRANTY

## **Claim Procedure**

Notify the Genesis Service Department of the potential warranty claim prior to making the repair. Digital pictures are very helpful for diagnosing problems and recommending repairs.

Contact the Genesis Service Department before making alterations, changes or repairs to any component that is going to be considered for warranty. Not doing so will void all Genesis warranty consideration.

The Genesis Service Department will issue an authorization number to track the repair costs, outgoing parts, and/or defective parts returning to the factory.

Replacement parts must be ordered using a purchase order number. Shipping is standard ground. Overnight shipping is available by request, and Genesis will not cover the shipping charge.

When the repair is complete, submit an invoice to the Genesis Service Department within 30 days. Include itemized internal labor reporting, parts lists and invoices for outside contractors. Reference the authorization number on all invoices.

When returning parts for warranty consideration, include a copy of any related Genesis paperwork along with any other necessary documentation to ensure proper processing and credit. The Genesis Service Department will provide the necessary forms.

Your account will be credited when the warranty claim is accepted.

**Please direct any questions to the Genesis Service Department: 715-395-5252**

# PARTS ORDER POLICY AND PROCEDURE

## **Parts Orders Should Include**

- Purchase order number
- Model and serial number of attachment
- Part number and quantity needed
- Shipping and billing address
- Method of shipment or required delivery date

## **Placing Orders**

Orders may be placed by phone, e-mail or fax. To fax an order, use the form on the following page. Contact information is located at the front of this manual.

## **Part Numbers**

Part numbers are listed in a separate Parts Manual or, if included, the Parts section of this manual. Contact the Genesis Parts Department with questions regarding part numbers, availability and pricing.

## **Shipping**

All orders will be shipped best way surface unless an alternate shipping method is requested. Shipping charges are not included in the purchase price of parts.

## **Invoices**

All invoices are due upon receipt. Any accounts with invoices open beyond 60 days are subject to review and may be placed on C.O.D. status without further notice.

## **Returns**

Unused Genesis parts may be returned with proper documentation. Return shipping is the responsibility of the purchaser. Credit will be issued upon return, less a 20% restocking fee. Documentation is required for credit of returned parts. Contact the Genesis Parts Department at 715-395-5252 for an RGA (Return Goods Authorization) number and form.

## **Return Goods Authorization**

All parts returned to Genesis for warranty consideration must be returned with a completed RGA (Return Goods Authorization) provided by the Genesis Parts Department. The form needs to be completed in its entirety, including any additional information requested by the Parts or Service Department. Return freight is the responsibility of the shipper and will be credited upon claim approval. A determination to accept or deny the claim will be made based on the information available to Genesis. Warranty on purchased parts other than wear components is 6 months. There is no warranty period on wear parts or components.



**PARTS ORDER FORM**

Customer: \_\_\_\_\_ Date: \_\_\_\_\_

Phone: \_\_\_\_\_ Contact: \_\_\_\_\_

Shipping Address: \_\_\_\_\_ E-mail: \_\_\_\_\_

\_\_\_\_\_ Billing Address: \_\_\_\_\_

\_\_\_\_\_

Purchase Order: \_\_\_\_\_ Shipping Method: \_\_\_\_\_

Model: \_\_\_\_\_ Serial Number: \_\_\_\_\_

Quantity	Part Number	Description	Price

E-mail to the Genesis Parts Department: [genesisparts@genesisattachments.com](mailto:genesisparts@genesisattachments.com)  
For assistance, call 715-395-5252

# INDEX

04-8448 Socket Bolt	17	07-8901 Cover Plate 3	5
07-8404 Valve Adjuster	13	07-8904 Tool Pin Stop	5
07-8405 Rubber Plug	15	07-8907 Rubber Grease	5
07-8406 Auto Shut-off Pin	13	07-8908 Rubber Plug	5
07-8408 Metric Hollow Hex Plug	13	07-8909 Rubber Plug	5
07-8409 Accumulator Cover	17	07-8912 Hex Bolt	5
07-8410 Gas Charging Adjuster	17	07-8913 Hex Bolt	5
07-8414 Guide Pin	13, 15	07-8915 Hex Bolt	5
07-8415 Socket Plug	13	07-8917 Hex Nut	5
07-8416 Hex Head Plug	17	07-8919 NyLock Nut	5
07-8427 Gas Charging Cap	17	07-8923 Flat Washer	5
07-8434 Membrane	17	07-8925 Socket Bolt	5
07-8435 Snap Ring	15	07-8927 Lock Washer	5
07-8439 Socket Plug	13	07-8928 Lock Washer	5
07-8440 Snap Ring	15	07-8930 Lock Washer	5
07-8441 Rubber Plug	15	07-8932 Auto Grease Pump Assembly	7
07-8443 Plug	15	07-8933 Replacement Grease Cartridge	7
07-8444 Socket Plug	15	07-8994 Top Plate	5
07-8445 Grease Fitting	15	07-9129 Gas Charging Kit	18
07-8447 Hex Nut	13	07-9191 Housing	5
07-8450 Socket Bolt	17	07-9192 Wear Plate	5
07-8451 Socket Plug	13	07-9193 Wear Plate	5
07-8804 Back Head Body	9	07-9194 Base Buffer	5
07-8805 Back Head Body	11	07-9195 Front Block	5
07-8806 Gas Charging Valve Assembly	11	07-9196 Shim Plate	5
07-8807 Socket Plug	11	07-9197 Front Plate	5
07-8808 Cylinder Assembly	9	07-9198 Pin	5
07-8809 Cylinder Body	13	07-9199 Cover Plate 1	5
07-8810 Adapter	13	07-9200 Cover Plate 2	5
07-8811 Seal Housing	13	07-9201 Housing Tool Pin Cover	5
07-8812 Piston	13	07-9281 Bottom Assembly	17
07-8813 Heli Coil	13	07-9302 Replacement Grease Cartridge - 20 count	7
07-8814 Operation Valve	13	Accumulator Assembly	16, 17
07-8815 Operation Valve Guide	13	Auto Grease Cartridge	6, 7
07-8816 Operation Valve Cover	13	Back Head Assembly	10, 11
07-8817 Accumulator Assembly	9	Back-up Ring (Part of Seal Kit)	13, 17
07-8818 Side Rod	9	Box Housing	5
07-8823 Front Head Body	9	Buffer Ring	13
07-8824 Front Head Body	15	Contact Information	2, 23
07-8825 Upper Bushing	15	Cylinder Assembly	12, 13
07-8826 Bushing Pin	15	Dust Seal	13
07-8827 Tool Bush (Box)	15	Front Head Assembly	14, 15
07-8828 Tool Pin	15	Gas Charging Kit	18
07-8829 Tool Bush Pin	15	Gas Seal (Part of Seal Kit)	13
07-8830 Replacement Seal Kit (Not Shown)	9	Hammer Assembly	8, 9
07-8844 Blunt Kit	9	Housing Assembly	4, 5
07-8851 Chisel Tool	9	O-Ring	13, 15
07-8858 Moil Tool	9	O-Ring (Part of Seal Kit)	17
07-8865 Cone Tool	9	Parts Order Form	21
07-8889 Rubber (In, Out)	5	Parts Order Policy and Procedure	20
07-8890 Rubber Plug	5	Step Seal (Part of Seal Kit)	13
07-8891 Wear Plate	5	T0004-02 Gas Charging Kit	18
07-8892 Rubber Plug	5	Table of Contents	3
07-8893 Top Buffer	5	U-Packing	13
07-8895 Wear Plate	5	Warranty	19
07-8897 Stopper	5		



**GENESIS®**

The Promise of Performance.

## CONTACT INFORMATION

### Genesis Attachments

1000 Genesis Drive  
Superior, WI 54880 USA

Toll Free: 888-SHEAR-IT  
(888-743-2748)

Phone: 715.395.5252

E-mail:  
info@genesisattachments.com

### Europe/Africa/Middle East Genesis GmbH

Teramostrasse 23  
87700 Memmingen, Germany

Phone: +49 83 31 9 25 98 0

Fax: +49 83 31 9 25 98 80

genesis-europe.com

E-mail:  
info@genesis-europe.com

### Asia Pacific Representative Office

24 Upper Serangoon View #12-28  
Singapore 534205

Phone: +65 9673 9730

E-mail:  
tchoo@genesisattachments.com

### Central America & Colombia

Cra 13A #89-38 / Ofi 613  
Bogota, Colombia

Phone: +57 1 610 8160 / 795 8747

E-mail:  
contact@themsagroup.com

View and download all manuals: [genesisattachments.com/manuals](http://genesisattachments.com/manuals)  
Patents: [genesisattachments.com/products/patents](http://genesisattachments.com/products/patents)

Rev. D - 9-11-19