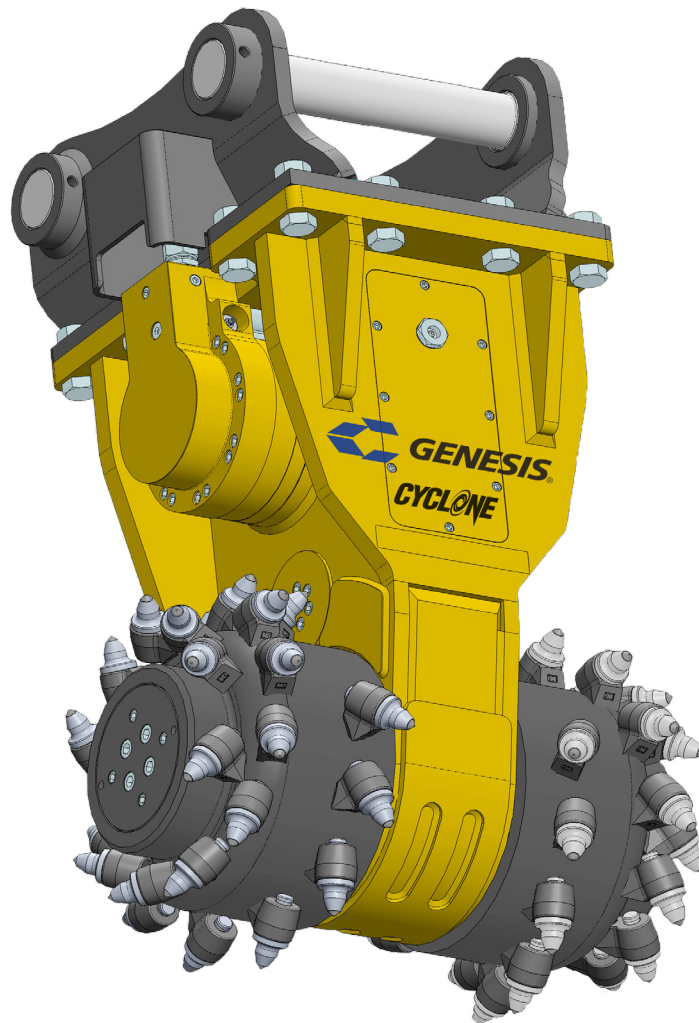


Cyclone 60 (GCG 60)

PARTS MANUAL



CONTACT INFORMATION

Genesis Attachments

1000 Genesis Drive
Superior, WI 54880 USA

Toll Free: 888-SHEAR-IT
(888-743-2748)

Phone: 715.395.5252

E-mail:
info@genesisattachments.com

Europe/Africa/Middle East Genesis GmbH

Teramostrasse 23
87700 Memmingen, Germany

Phone: +49 83 31 9 25 98 0
Fax: +49 83 31 9 25 98 80
genesis-europe.com

E-mail:
info@genesis-europe.com

Asia Pacific Representative Office

24 Upper Serangoon View #12-28
Singapore 534205

Phone: +65 9673 9730

E-mail:
tchoo@genesisattachments.com

Central America & Colombia

Cra 13A #89-38 / Ofi 613
Bogota, Colombia

Phone: +57 1 610 8160 / 795 8747

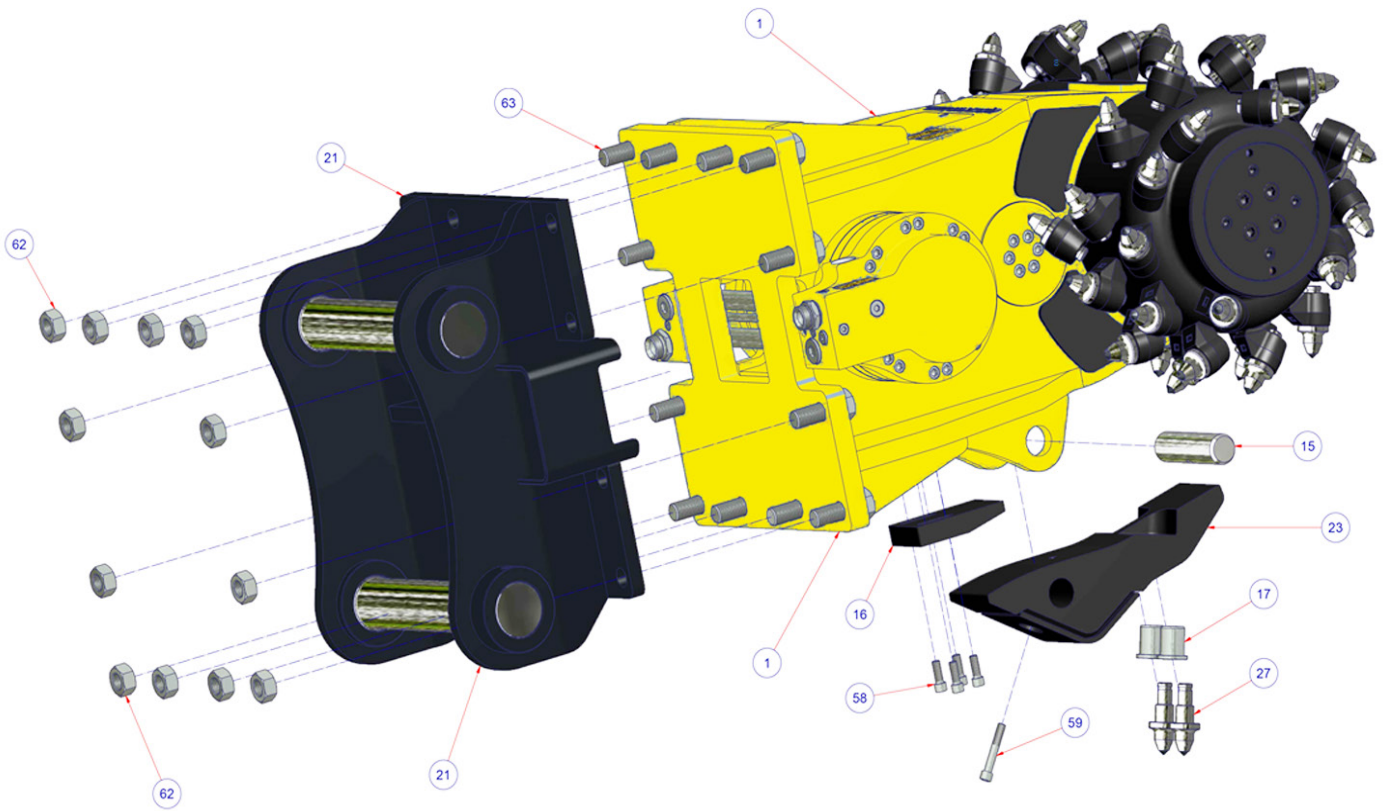
E-mail:
contact@themsagroup.com

View and download all manuals: genesisattachments.com/manuals
Patents: genesisattachments.com/products/patents

TABLE OF CONTENTS

CONTACT INFORMATION.....	2
HOUSING AND RIPPER BAR.....	4
GEARBOX.....	6
MOTOR AND HYDRAULIC ASSEMBLY.....	8
DRUM AND BEARING ASSEMBLY.....	10
SPARE PARTS MOTOR.....	12
WARRANTY.....	14
PARTS ORDER POLICY AND PROCEDURE.....	15
PARTS ORDER FORM.....	16
INDEX.....	17
CONTACT INFORMATION.....	18

HOUSING AND RIPPER BAR



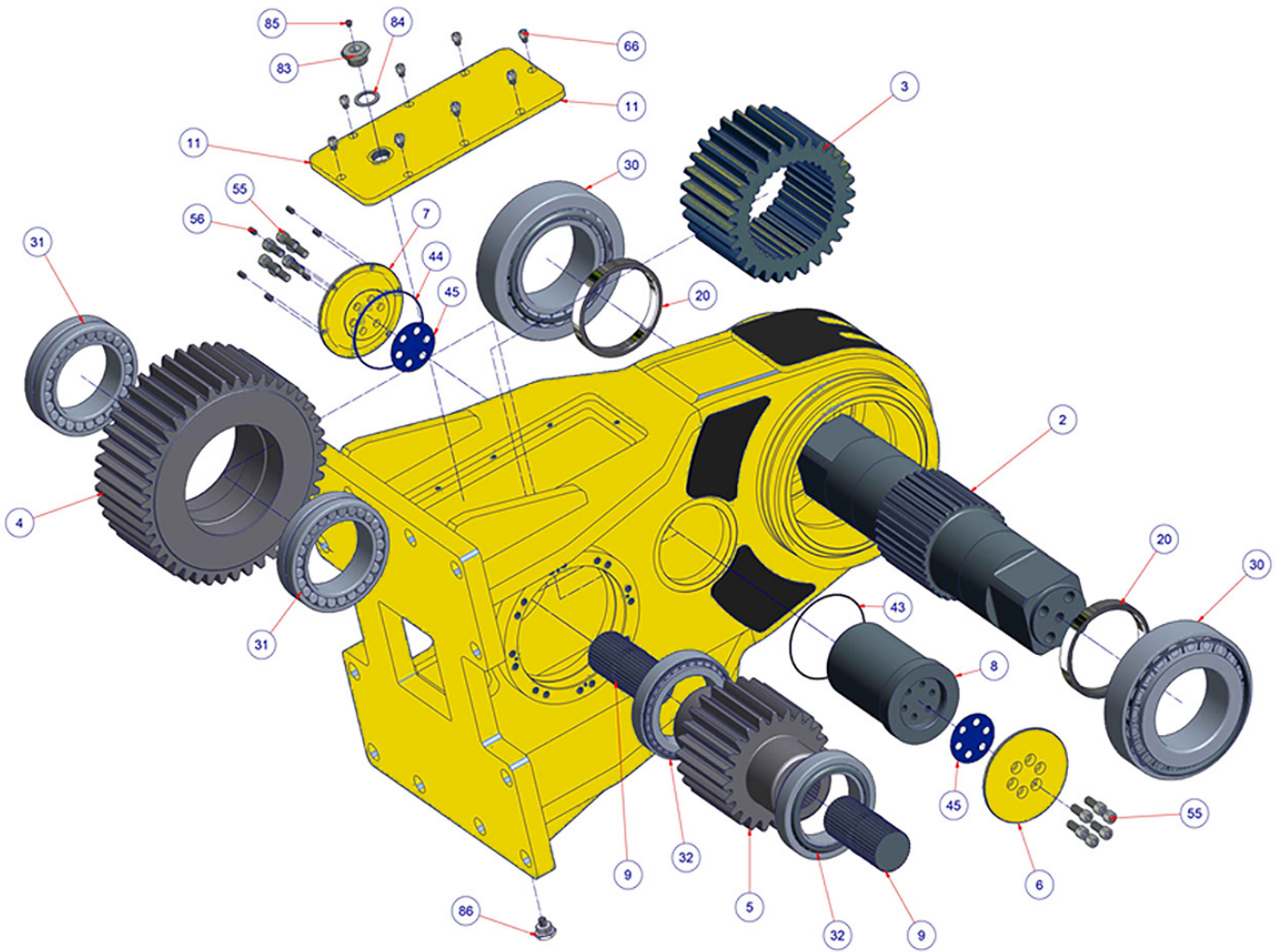
HOUSING AND RIPPER BAR

ITEM	QTY	PART NUMBER	DESCRIPTION
1	1	41RW-1769	Housing
15	1	41RW-1780	Ripper Bar Retaining Pin - optional
16	1	41RW-1792	Ripper Bar Retaining Wedge - optional
17	2	41RW-1955	Pick Box Bush - optional
21	1	41RW-1818	Adapter Bracket - optional
23	1	41RW-1796	Ripper Bar Assembly - optional
27	2	41RW-1568	Pick - optional
58	4	41RWS-0055	Bolt - optional - torque 269 Ft-Lb
59	1	41RWS-0230	Bolt - optional - torque 269 Ft-Lb
62	12	41RWS-0228	Nut M36 - optional - torque 1254 Ft-Lb
63	12	41RWS-0229	Bolt M36 - optional - torque 1254 Ft-Lb

The ripper bar is not part of the basic unit but available as an option.

The adapter bracket shown is illustrative only. The bracket required is dependent upon the excavator used.

GEARBOX



GEARBOX

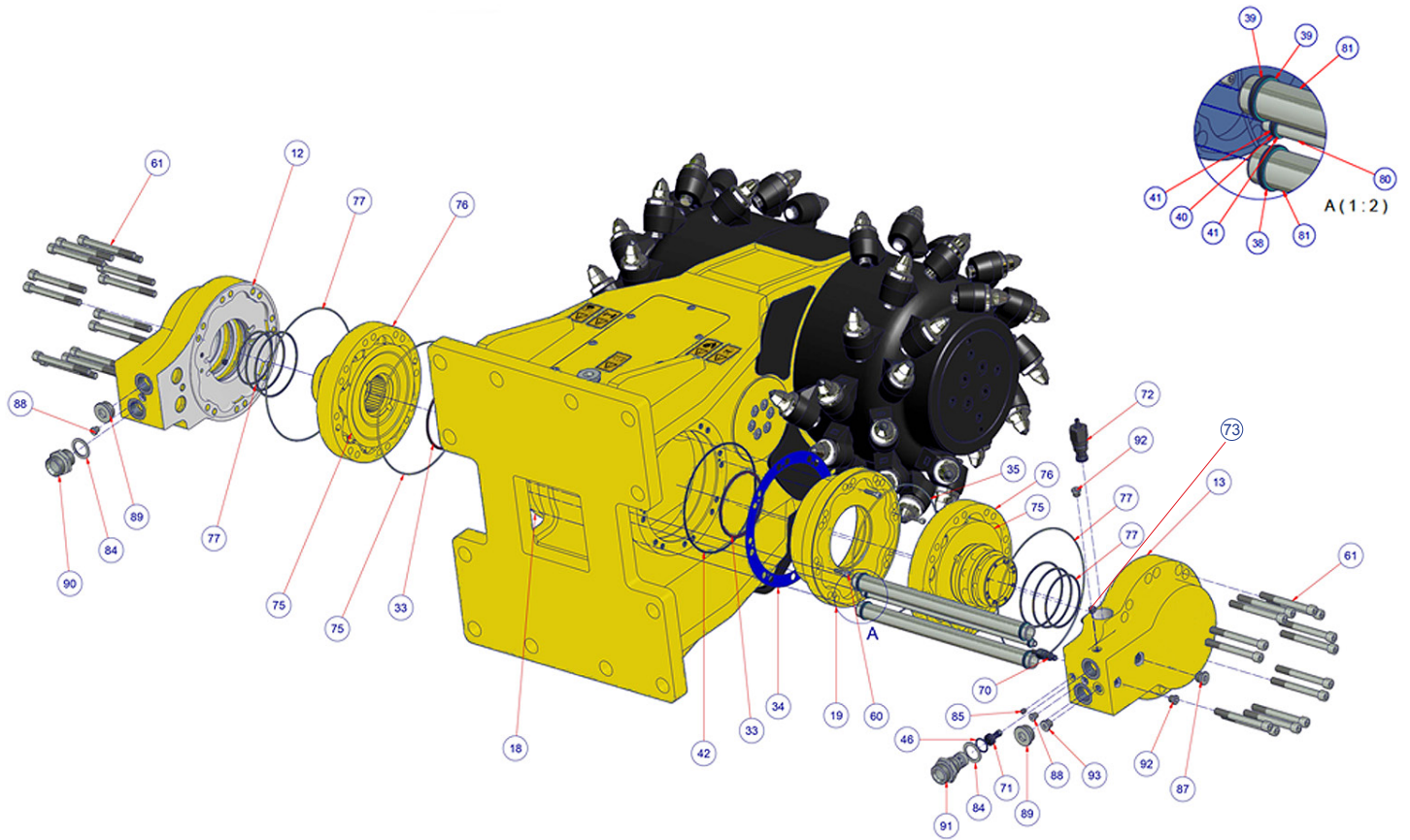
ITEM	QTY	PART NUMBER	DESCRIPTION
2	1	41RW-1771	Square Drive Output Shaft
3	1	41RW-1803	Drive Gear
4	1	41RW-1396	Idler Gear
5	1	41RW-1404	Pinion Gear
6	1	41RW-1398	Idler Shaft Retaining Plate
7	1	41RW-1399	Idler Shaft Retaining Plate
8	1	41RW-1397	Idler Shaft
9	2	41RW-1416	Connecting Shaft
11	1	41RW-1772	Gearbox Cover Plate*
20	2	41RW-1805	Drive Shaft Spacer
30	2	41RW-0473	Bearing
31	2	41RW-0471	Bearing
32	2	41RW-0460	Bearing
43	1	41RWS-0025	O-Ring
44	1	41RWS-0199	O-Ring
45	as required	41RW-1791	Idler Shaft Shims**
55	12	41RWS-0033	Bolt - torque 269 Ft-Lb
56	6	41RWS-0157	Bolt***
66	8	41RWS-0127	Bolt - torque 62 Ft-Lb
83	1	41RW-0527	Breather Mounting Plug
84	1	41RWH-0044	Sealed Washer
85	1	41RW-0039	Breather
86	1	41RW-0803	Magnetic Plug

* Seal with silicone glue

** blue 0.05mm, white 0.25mm

*** Use glue for assembly

MOTOR AND HYDRAULIC ASSEMBLY



MOTOR AND HYDRAULIC ASSEMBLY

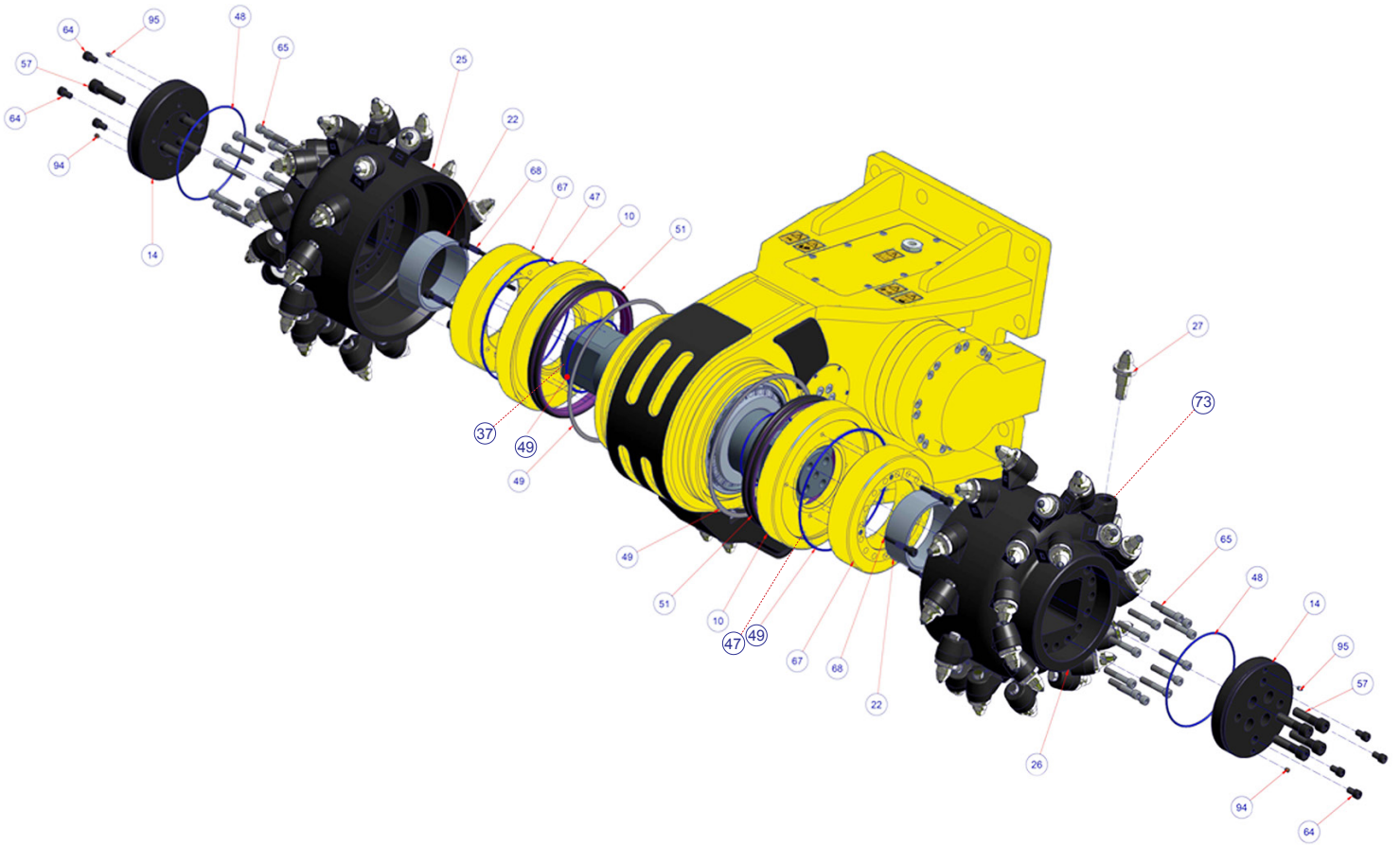
ITEM	QTY	PART NUMBER	DESCRIPTION
12	1	41RW-1782	Motor Valve Housing
13	1	41RW-1774	Motor Valve Housing
18	1	41RW-1784	Motor Spacer
19	1	41RW-1785	Motor Spacer
33	2	41RW-0411	Sealing
34	as required	41RW-1409	Pinion Shaft Shim*
35	5	41RWS-0032	O-Ring**
38	4	41RWS-0151	Quad-Ring
39	8	41RWS-0195	Back-Up Ring
40	2	41RWS-0196	Quad-Ring
41	4	41RWH-0064	Back-Up Ring
42	1	41RWS-0197	O-Ring
46	1	41RWS-0227	O-Ring
60	8	41RWS-0213	Bolt - torque 31.7 Ft-Lb
61	28	41RWS-0049	Bolt*** - torque 269 Ft-Lb
70	1	41RW-0753	Valve - torque 18.4 Ft-Lb
71	1	41RW-0749	Valve
72	1	41RW-1783	Valve - torque 73.8 Ft-Lb
73	1	41RW-1807	Valve
75	2	41RWA-146	Motor
76	2	41RW-0872	Cam Ring
77	2	41RW-1101	Valving Seal
80	1	41RW-1813	Steel Tube
81	2	41RW-1814	Steel Tube
84	2	41RWH-0044	Sealed Washer
85	1	41RW-0862	Breather
87	1	41RWH-0063	Socket Headed Plug - torque 81 Ft-Lb
88	2	41RWH-0005	Socket Headed Plug - torque 13.3 Ft-Lb
89	2	41RWH-0065	Socket Headed Plug - torque 177 Ft-Lb
90	1	41RWH-0066	Fitting - torque 369 Ft-Lb
91	1	41RWH-1806	Fitting - torque 369 Ft-Lb
92	2	41RHW-0006	Socket Headed Plug - torque 29.5 Ft-Lb
93	1	41RWH-0015	Socket Headed Plug - torque 55.3 Ft-Lb

* blue 0.05mm, white 0.25mm

** 2x 41RWS-0032 in motor seal kit

*** Use glue

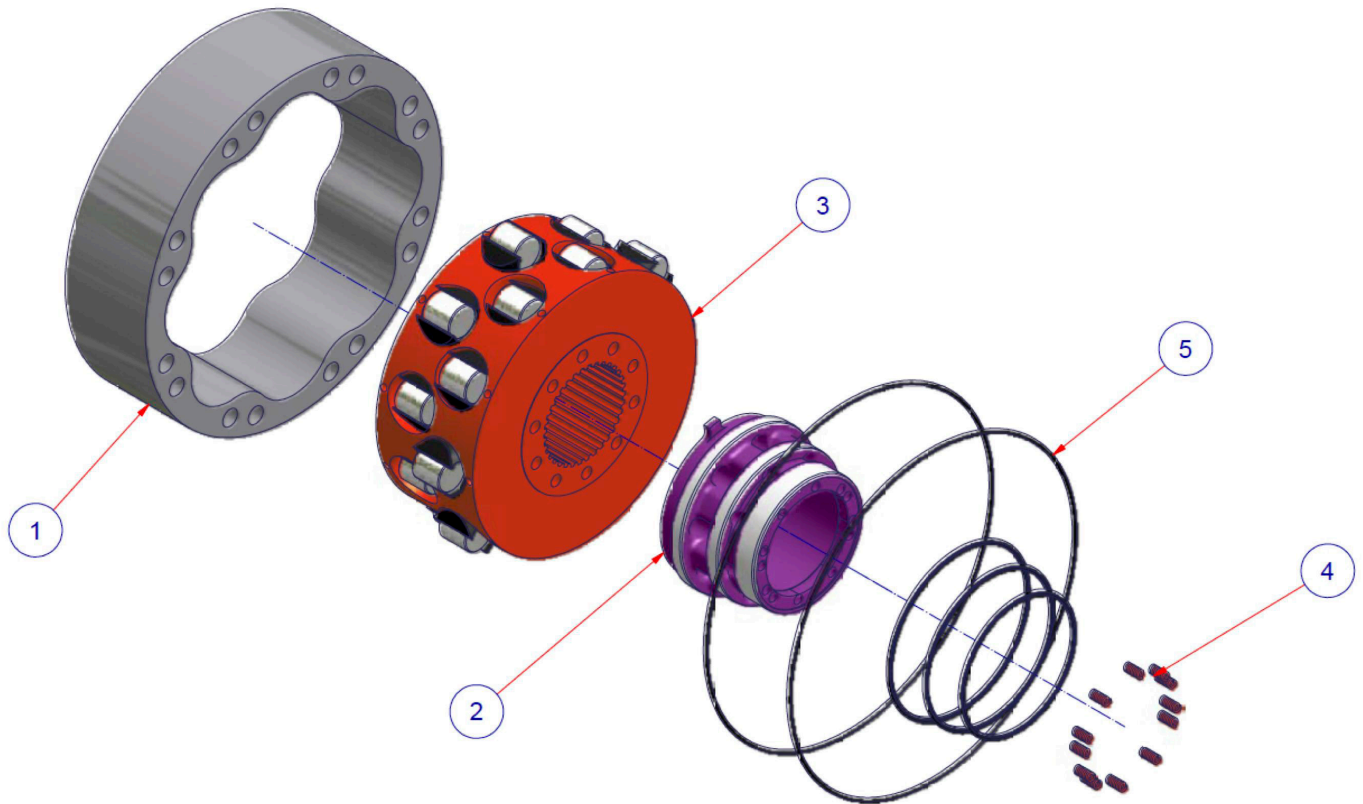
DRUM AND BEARING ASSEMBLY



DRUM AND BEARING ASSEMBLY

ITEM	QTY	PART NUMBER	DESCRIPTION
10	2	41RW-1770	Seal Carrier
14	2	41RW-1778	Cutting Head Retaining Plate
22	2	41RW-1953	Locking Ring
25	1	41RW-1787	RH Drum
26	1	41RW-1790	LH Drum
27	56	41RW-1568	Pick
28	56	41RW-0860	Pick Box
37	2	41RWS-0194	O-Ring
47	2	41RWS-0225	O-Ring
48	2	41RWS-0226	O-Ring
49	4	41RW-1952	Protection Ring
51	2	41RW-0651	Face Seal
57	8	41RWS-0054	Bolt - torque 885 Ft-Lb
64	8	41RWS-0020	Bolt - torque 269 Ft-Lb
65	24	41RWS-0171	Bolt - torque 269 Ft-Lb
67	2	41RW-1951	Shrink Disc
68	8	41RW-1937	Cone Clamp Bolt - torque 269 Ft-Lb
73	1	41RW-1807	Valve
94	2	41RW-0862	Breather
95	2	41RW-0038	Grease Nipple

SPARE PARTS MOTOR



SPARE PARTS MOTOR

ITEM	QTY*	PART NUMBER	DESCRIPTION
1	1	41RW-0872	Cam Ring
2	1	41RW-0418	Valving
3	1	41RW-1100	Cylinder Block
4	1	41RW-0422	Spring Kit
5	1	41RW-1101	Valving Seal

* Quantity is per motor. The GCG 60 requires two motors.

WARRANTY

Claim Procedure

Notify the Genesis Service Department of the potential warranty claim prior to making the repair. Digital pictures are very helpful for diagnosing problems and recommending repairs.

Contact the Genesis Service Department before making alterations, changes or repairs to any component that is going to be considered for warranty. Not doing so will void all Genesis warranty consideration.

The Genesis Service Department will issue an authorization number to track the repair costs, outgoing parts, and/or defective parts returning to the factory.

Replacement parts must be ordered using a purchase order number. Shipping is standard ground. Overnight shipping is available by request, and Genesis will not cover the shipping charge.

When the repair is complete, submit an invoice to the Genesis Service Department within 30 days. Include itemized internal labor reporting, parts lists and invoices for outside contractors. Reference the authorization number on all invoices.

When returning parts for warranty consideration, include a copy of any related Genesis paperwork along with any other necessary documentation to ensure proper processing and credit. The Genesis Service Department will provide the necessary forms.

Your account will be credited when the warranty claim is accepted.

Please direct any questions to the Genesis Service Department: 715-395-5252

PARTS ORDER POLICY AND PROCEDURE

Parts Orders Should Include

- Purchase order number
- Model and serial number of attachment
- Part number and quantity needed
- Shipping and billing address
- Method of shipment or required delivery date

Placing Orders

Orders may be placed by phone, e-mail or fax. To fax an order, use the form on the following page. Contact information is located at the front of this manual.

Part Numbers

Part numbers are listed in a separate Parts Manual or, if included, the Parts section of this manual. Contact the Genesis Parts Department with questions regarding part numbers, availability and pricing.

Shipping

All orders will be shipped best way surface unless an alternate shipping method is requested. Shipping charges are not included in the purchase price of parts.

Invoices

All invoices are due upon receipt. Any accounts with invoices open beyond 60 days are subject to review and may be placed on C.O.D. status without further notice.

Returns

Unused Genesis parts may be returned with proper documentation. Return shipping is the responsibility of the purchaser. Credit will be issued upon return, less a 20% restocking fee. Documentation is required for credit of returned parts. Contact the Genesis Parts Department at 715-395-5252 for a RGA (Return Goods Authorization) number and form.

Return Goods Authorization

All parts returned to Genesis for warranty consideration must be returned with a completed RGA (Return Goods Authorization) provided by the Genesis Parts Department. The form needs to be completed in its entirety, including any additional information requested by the Parts or Service Department. Return freight is the responsibility of the shipper and will be credited upon claim approval. A determination to accept or deny the claim will be made based on the information available to Genesis. Warranty on purchased parts other than wear components is 6 months. There is no warranty period on wear parts or components.



GENESIS[®]
The Promise of Performance.

PARTS ORDER FORM

Customer: _____ Date: _____

Phone: _____ Contact: _____

Shipping Address: _____ E-mail: _____

_____ Billing Address: _____

_____ _____

_____ _____

Purchase Order: _____ Shipping Method: _____

Model: _____ Serial Number: _____

Quantity	Part Number	Description	Price

E-mail to the Genesis Parts Department: genesisparts@genesisattachments.com
For assistance, call 715-395-5252

INDEX

41RHW-0006 Socket Headed Plug	9	41RWH-0005 Socket Headed Plug	9
41RW-0038 Grease Nipple	11	41RWH-0015 Socket Headed Plug	9
41RW-0039 Breather	7	41RWH-0044 Sealed Washer	7, 9
41RW-0411 Sealing	9	41RWH-0063 Socket Headed Plug	9
41RW-0418 Valving	13	41RWH-0064 Back-Up Ring	9
41RW-0422 Spring Kit	13	41RWH-0065 Socket Headed Plug	9
41RW-0460 Bearing	7	41RWH-0066 Fitting	9
41RW-0471 Bearing	7	41RWH-1806 Fitting	9
41RW-0473 Bearing	7	41RWS-0020 Bolt	11
41RW-0527 Breather Mounting Plug	7	41RWS-0025 O-Ring	7
41RW-0651 Face Seal	11	41RWS-0032 O-Ring	9
41RW-0749 Valve	9	41RWS-0033 Bolt	7
41RW-0753 Valve	9	41RWS-0049 Bolt	9
41RW-0803 Magnetic Plug	7	41RWS-0054 Bolt	11
41RW-0860 Pick Box	11	41RWS-0055 Bolt	5
41RW-0862 Breather	9, 11	41RWS-0127 Bolt	7
41RW-0872 Cam Ring	9, 13	41RWS-0151 Quad-Ring	9
41RW-1100 Cylinder Block	13	41RWS-0157 Bolt	7
41RW-1101 Valving Seal	9, 13	41RWS-0171 Bolt	11
41RW-1396 Idler Gear	7	41RWS-0194 O-Ring	11
41RW-1397 Idler Shaft	7	41RWS-0195 Back-Up Ring	9
41RW-1398 Idler Shaft Retaining Plate	7	41RWS-0196 Quad-Ring	9
41RW-1399 Idler Shaft Retaining Plate	7	41RWS-0197 O-Ring	9
41RW-1404 Pinion Gear	7	41RWS-0199 O-Ring	7
41RW-1409 Pinion Shaft Shim	9	41RWS-0213 Bolt	9
41RW-1416 Connecting Shaft	7	41RWS-0225 O-Ring	11
41RW-1568 Pick	5, 11	41RWS-0226 O-Ring	11
41RW-1769 Housing	5	41RWS-0227 O-Ring	9
41RW-1770 Seal Carrier	11	41RWS-0228 Nut M36	5
41RW-1771 Square Drive Output Shaft	7	41RWS-0229 Bolt M36	5
41RW-1772 Gearbox Cover Plate	7	41RWS-0230 Bolt	5
41RW-1774 Motor Valve Housing	9	Contact Information	2, 18
41RW-1778 Cutting Head Retaining Plate	11	Drum and Bearing Assembly	10, 11
41RW-1780 Ripper Bar Retaining Pin	5	Gearbox	6, 7
41RW-1782 Motor Valve Housing	9	Housing and Ripper Bar	4, 5
41RW-1783 Valve	9	Motor and Hydraulic Assembly	8, 9
41RW-1784 Motor Spacer	9	Parts Order Form	16
41RW-1785 Motor Spacer	9	Parts Order Policy and Procedure	15
41RW-1787 RH Drum	11	Spare Parts Motor	12, 13
41RW-1790 LH Drum	11	Table of Contents	3
41RW-1791 Idler Shaft Shims	7	Warranty	14
41RW-1792 Ripper Bar Retaining Wedge	5		
41RW-1796 Ripper Bar Assembly	5		
41RW-1803 Drive Gear	7		
41RW-1805 Drive Shaft Spacer	7		
41RW-1807 Valve	9, 11		
41RW-1813 Steel Tube	9		
41RW-1814 Steel Tube	9		
41RW-1818 Adapter Bracket	5		
41RW-1937 Cone Clamp Bolt	11		
41RW-1951 Shrink Disc	11		
41RW-1952 Protection Ring	11		
41RW-1953 Locking Ring	11		
41RW-1955 Pick Box Bush	5		
41RWA-146 Motor	9		

CONTACT INFORMATION

Genesis Attachments

1000 Genesis Drive
Superior, WI 54880 USA

Toll Free: 888-SHEAR-IT
(888-743-2748)

Phone: 715.395.5252

E-mail:
info@genesisattachments.com

Europe/Africa/Middle East Genesis GmbH

Teramostrasse 23
87700 Memmingen, Germany

Phone: +49 83 31 9 25 98 0
Fax: +49 83 31 9 25 98 80
genesis-europe.com

E-mail:
info@genesis-europe.com

Asia Pacific Representative Office

24 Upper Serangoon View #12-28
Singapore 534205

Phone: +65 9673 9730

E-mail:
tchoo@genesisattachments.com

Central America & Colombia

Cra 13A #89-38 / Ofi 613
Bogota, Colombia

Phone: +57 1 610 8160 / 795 8747

E-mail:
contact@themsagroup.com