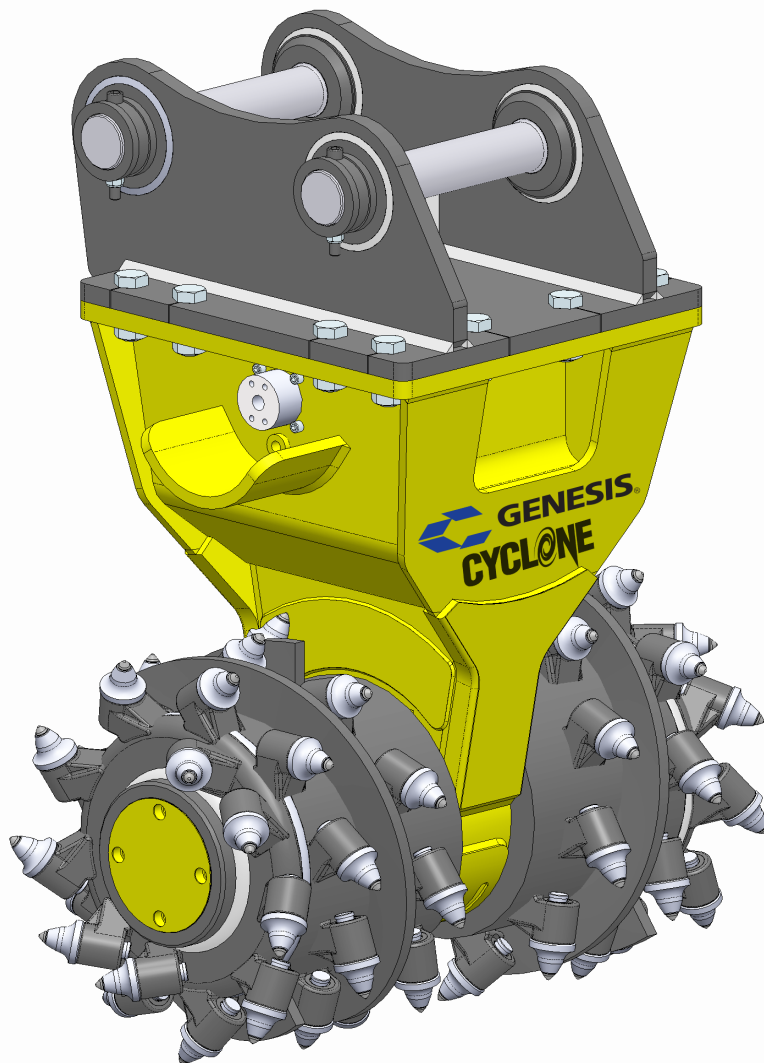


Cyclone 20 (GCG 20)

PARTS MANUAL



CONTACT INFORMATION

Genesis Attachments

1000 Genesis Drive
Superior, WI 54880 USA

Toll Free: 888-SHEAR-IT
(888-743-2748)

Phone: 715.395.5252

E-mail:
info@genesisattachments.com

Europe/Africa/Middle East Genesis GmbH

Teramostrasse 23
87700 Memmingen, Germany

Phone: +49 83 31 9 25 98 0
Fax: +49 83 31 9 25 98 80
genesis-europe.com

E-mail:
info@genesis-europe.com

Asia Pacific Representative Office

24 Upper Serangoon View #12-28
Singapore 534205

Phone: +65 9673 9730

E-mail:
tchoo@genesisattachments.com

Central America & Colombia

Cra 13A #89-38 / Ofi 613
Bogota, Colombia

Phone: +57 1 610 8160 / 795 8747

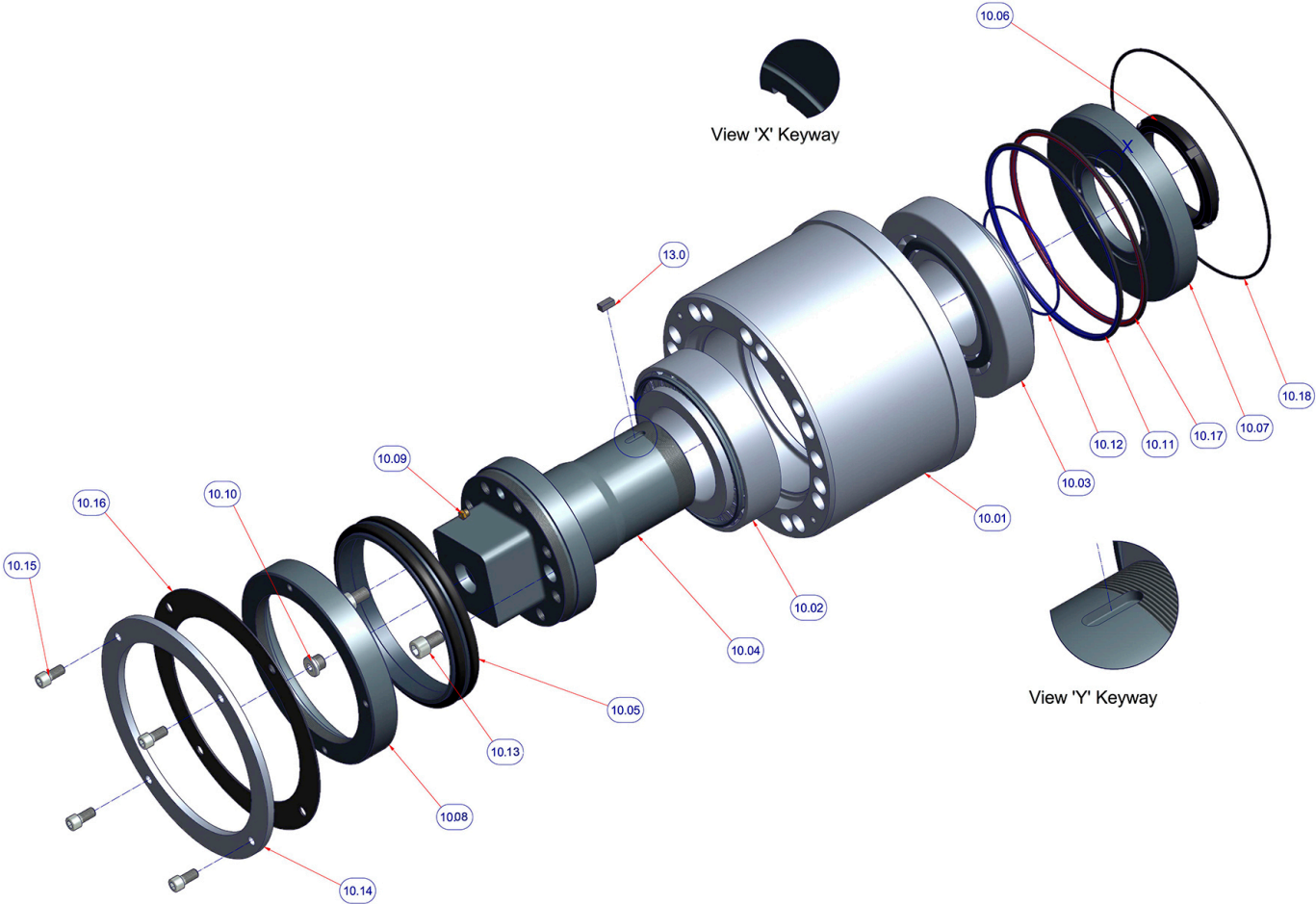
E-mail:
contact@themsagroup.com

View and download all manuals: genesisattachments.com/manuals
Patents: genesisattachments.com/products/patents

TABLE OF CONTENTS

CONTACT INFORMATION	2
MOTOR SIDE BEARING	4
NON-DRIVEN SIDE BEARING	6
HIGH-TORQUE DRIVE	8
HOSES AND FITTINGS	10
START-UP VALVE	12
HOUSING	14
RIGHT SIDE DRUM	16
LEFT SIDE DRUM	18
EXCAVATOR FEED AND RETURN HOSE	20
WARRANTY	22
PARTS ORDER POLICY AND PROCEDURE	23
PARTS ORDER FORM	24
INDEX	25
CONTACT INFORMATION	26

MOTOR SIDE BEARING

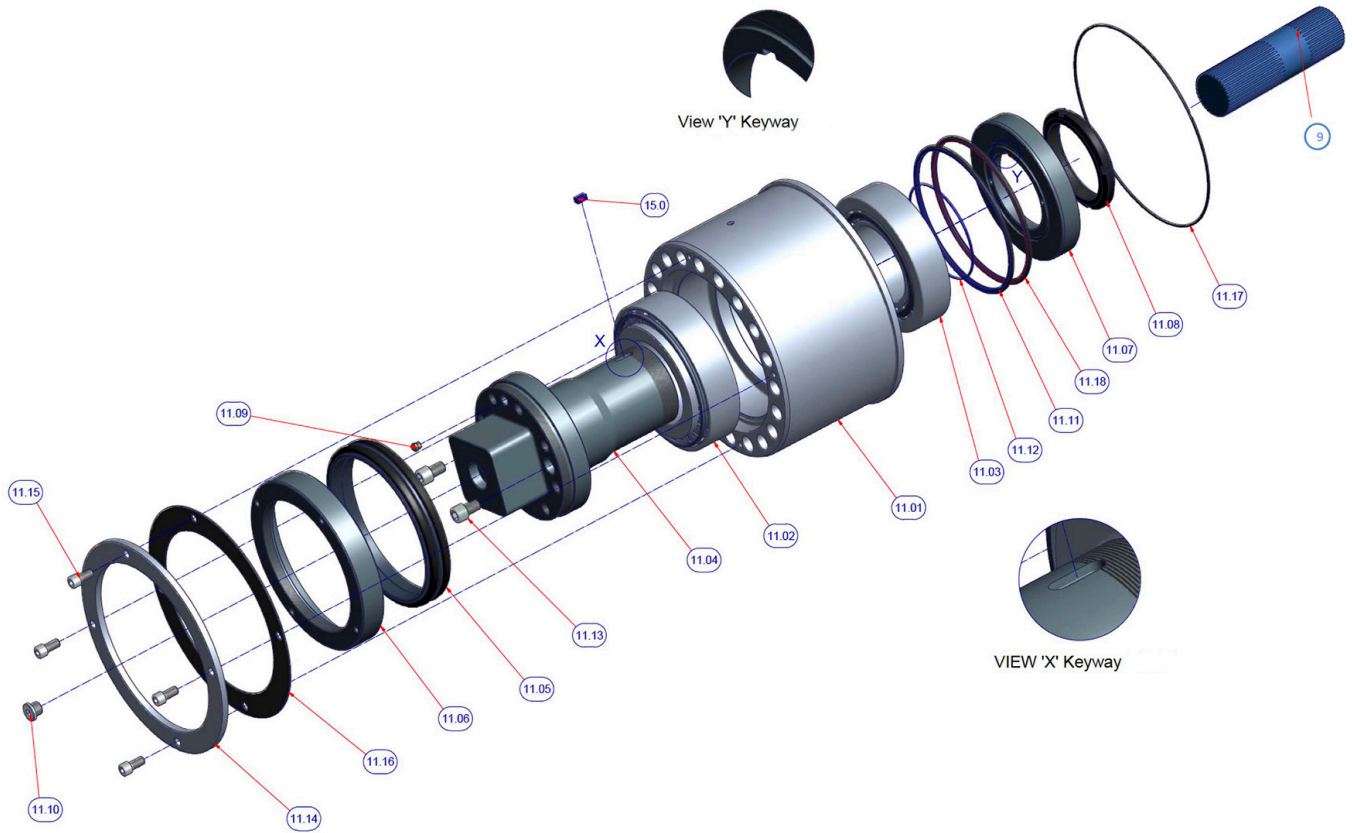


MOTOR SIDE BEARING

ITEM	QTY	PART NUMBER	DESCRIPTION
10.01	1	41RW-1690B	Motor Side Housing
10.02	1	41RW-0822	Bearing
10.03	1	41RW-0454	Bearing
10.04	1	41RW-1691B	Drive Shaft
10.05	1	41RW-0483	Seal
10.06	1	41RW-1692	Seal Carrier
10.07	1	41RW-1694	Seal Ring
10.08	1	41RW-0511	Lock Nut*
10.09	1	41RW-0862	Valve
10.10	1	41RWH-0015	Socket Headed Plug - torque 66.4 Ft-Lb
10.11	1	41RW-1763	Rota Glyd Ring
10.12	1	41RWS-0190	O-Ring
10.13	2	41RWS-0020	Bolt - torque 269 Ft-Lb
10.14	1	41RW-1699	End Plate
10.15	4	41RWS-0088	Bolt - torque 18.4 Ft-Lb, use silicone
10.16	1	41RW-1698	Rubber Gasket
10.17	1	41RW-1764	Rota Glyd Ring
10.18	1	41RWS-0032	O-Ring
13.0	1	41RW-1809	Sided Key

* Fixed with grub screw 41RW-0220

NON-DRIVEN SIDE BEARING

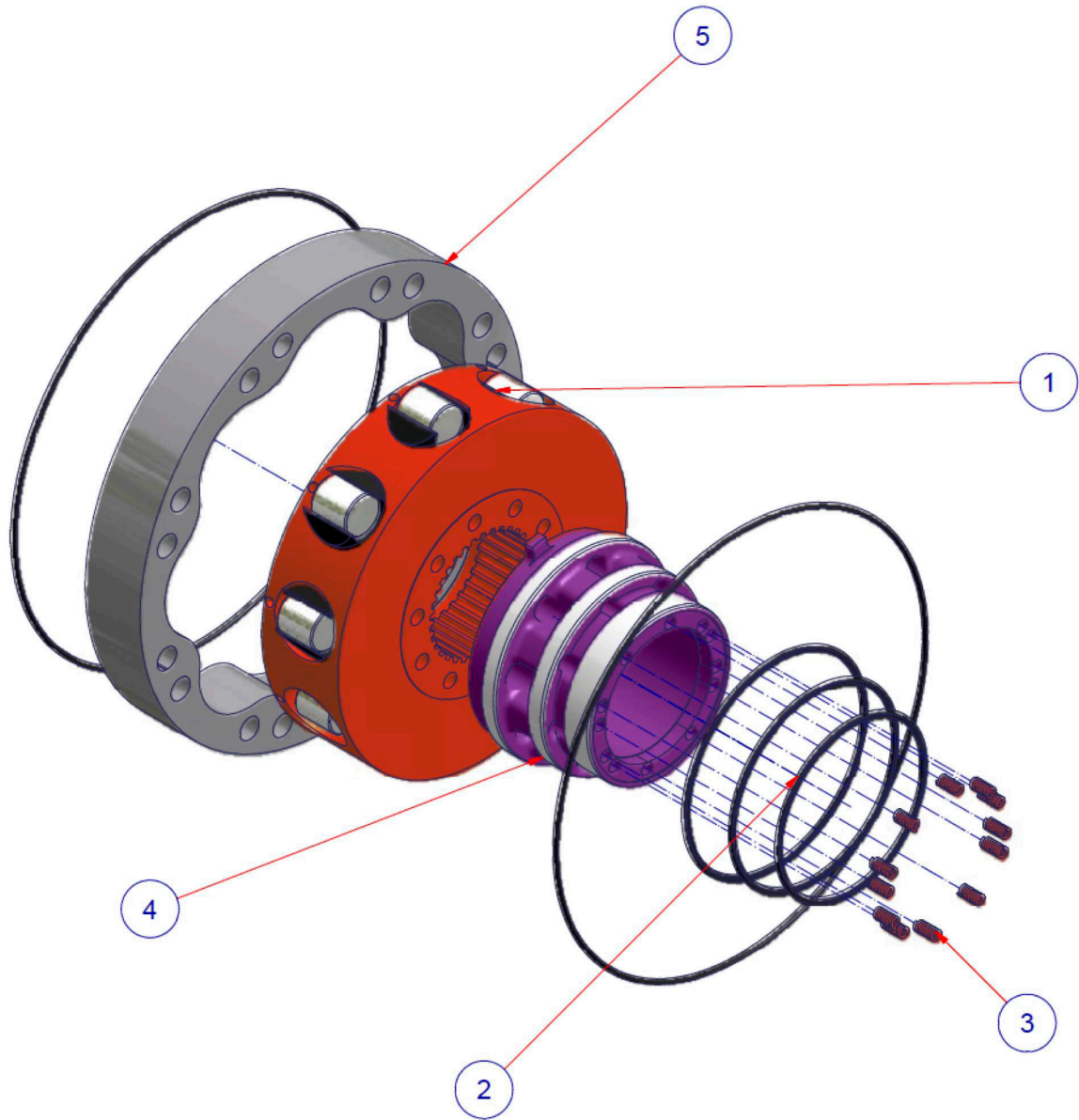


NON-DRIVEN SIDE BEARING

ITEM	QTY	PART NUMBER	DESCRIPTION
9	1	41RW-0900	Connecting Shaft
11.01	1	41RW-1736A	Driven Side Housing
11.02	1	41RW-0822	Bearing
11.03	1	41RW-0660	Bearing
11.04	1	41RW-1691	Drive Shaft
11.05	1	41RW-0483	Seal
11.06	1	41RW-1692	Seal Carrier
11.07	1	41RW-1737	Driven Side Seal Ring
11.08	1	41RW-0511	Lock Nut*
11.09	1	41RW-0862	Valve
11.10	1	41RWH-0015	Socket Headed Plug - torque 66.4 Ft-Lb
11.11	1	41RW-1765	Rota Glyd Ring
11.12	1	41RWS-0190	O-Ring
11.13	2	41RWS-0020	Bolt - torque 269 Ft-Lb
11.14	1	41RW-1699	End Plate
11.15	4	41RWS-0088	Bolt - torque 18.4 Ft-Lb, use silicone
11.16	1	41RW-1698	Rubber Gasket
11.17	1	41RWS-0032	O-Ring
11.18	1	41RW-1766	Rota Glyd Ring
15.0	1	41RW-1809	Sided Key

* Fixed with grub screw 41RW-0220

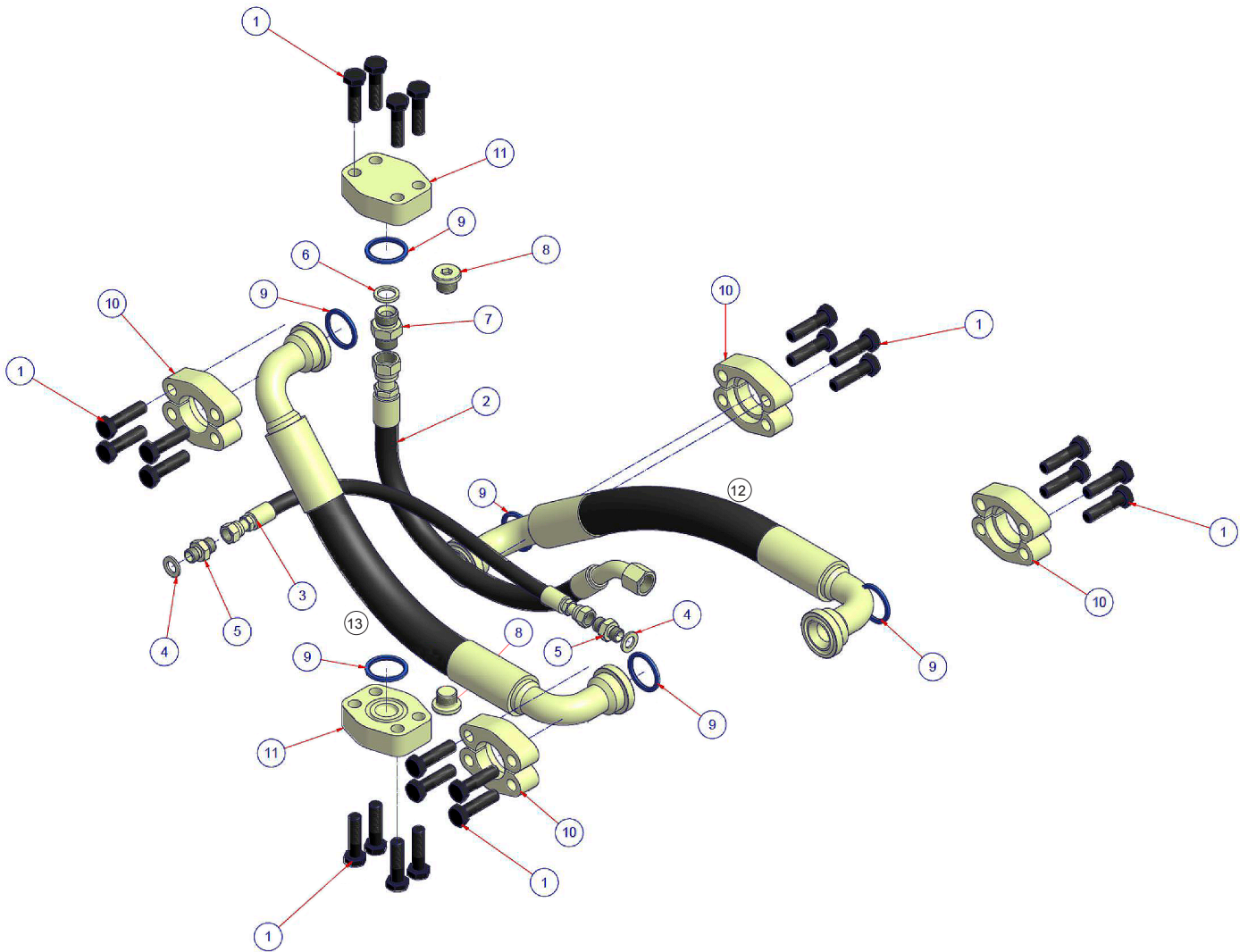
HIGH-TORQUE DRIVE



HIGH-TORQUE DRIVE

ITEM	QTY	PART NUMBER	DESCRIPTION
1	1	41RW-0419	Cylinder Block
2	1	41RW-1101	Valving Seal
3	1	41RW-0422	Spring Kit
4	1	41RW-0418	Valving
5	1	41RW-0420	Cam Ring

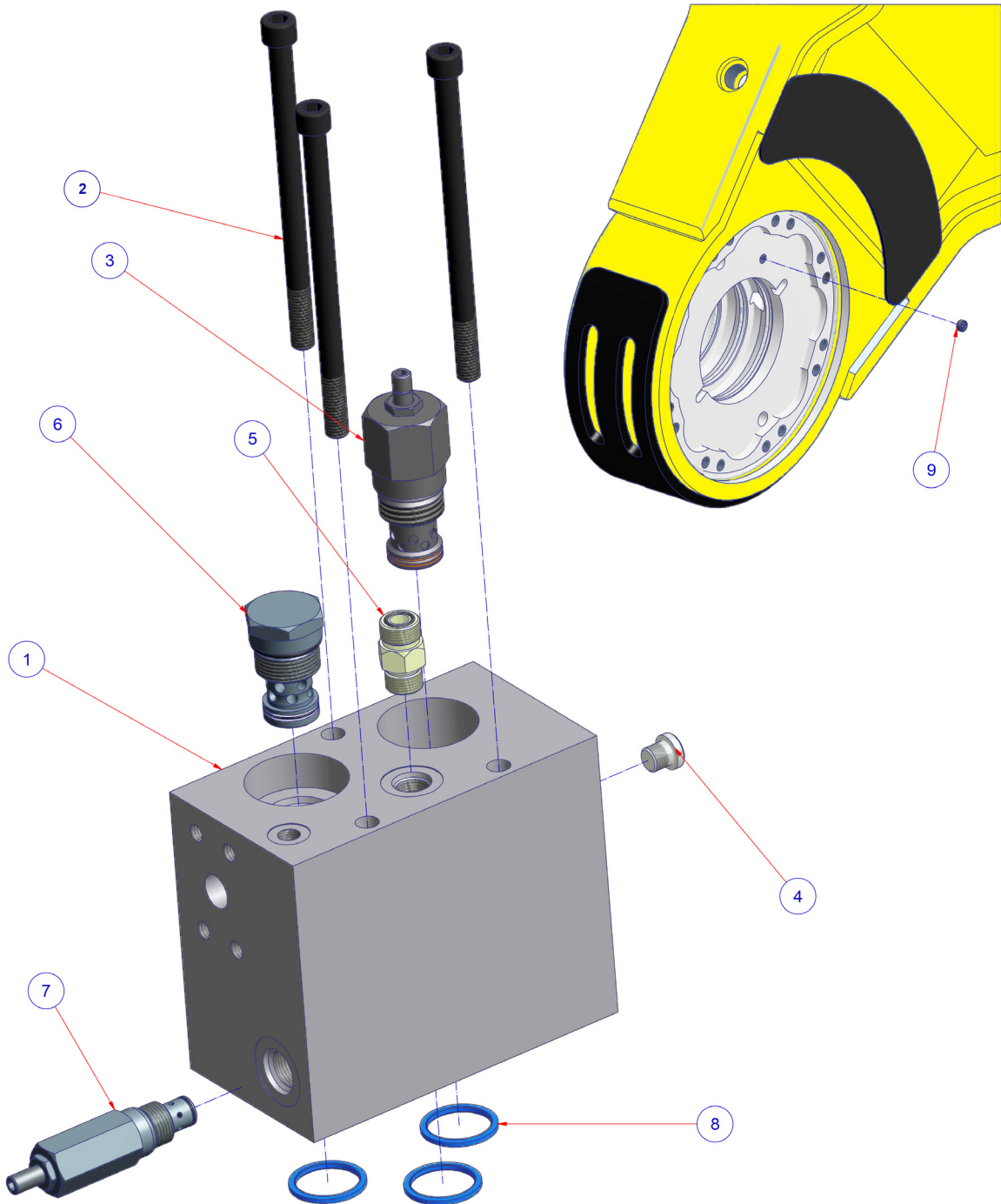
HOSES AND FITTINGS



HOSES AND FITTINGS

ITEM	QTY	PART NUMBER	DESCRIPTION
1	24	41RWS-0086	Bolt - torque 36 Ft-Lb
2	1	41RW-0854	Drain Line Hose
3	1	41RW-0916	Relief Line Hose
4	2	41RWH-0011	Dowty
5	2	41RWH-0010	Fitting - torque 29.5 Ft-Lb
6	1	41RWH-0012	Dowty
7	1	41RWH-0017	Fitting - torque 88.5 Ft-Lb
8	2	41RWH-0015	Socket Headed Plug - torque 66.4 Ft-Lb
9	6	41RW-0847	Seal
10	4	41RWH-0016	Flange Clamp
11	2	41RWH-0039	Flange Blanking Plate
12	1	41RW-0913	Feed Hose
13	1	41RW-0914	Return Hose

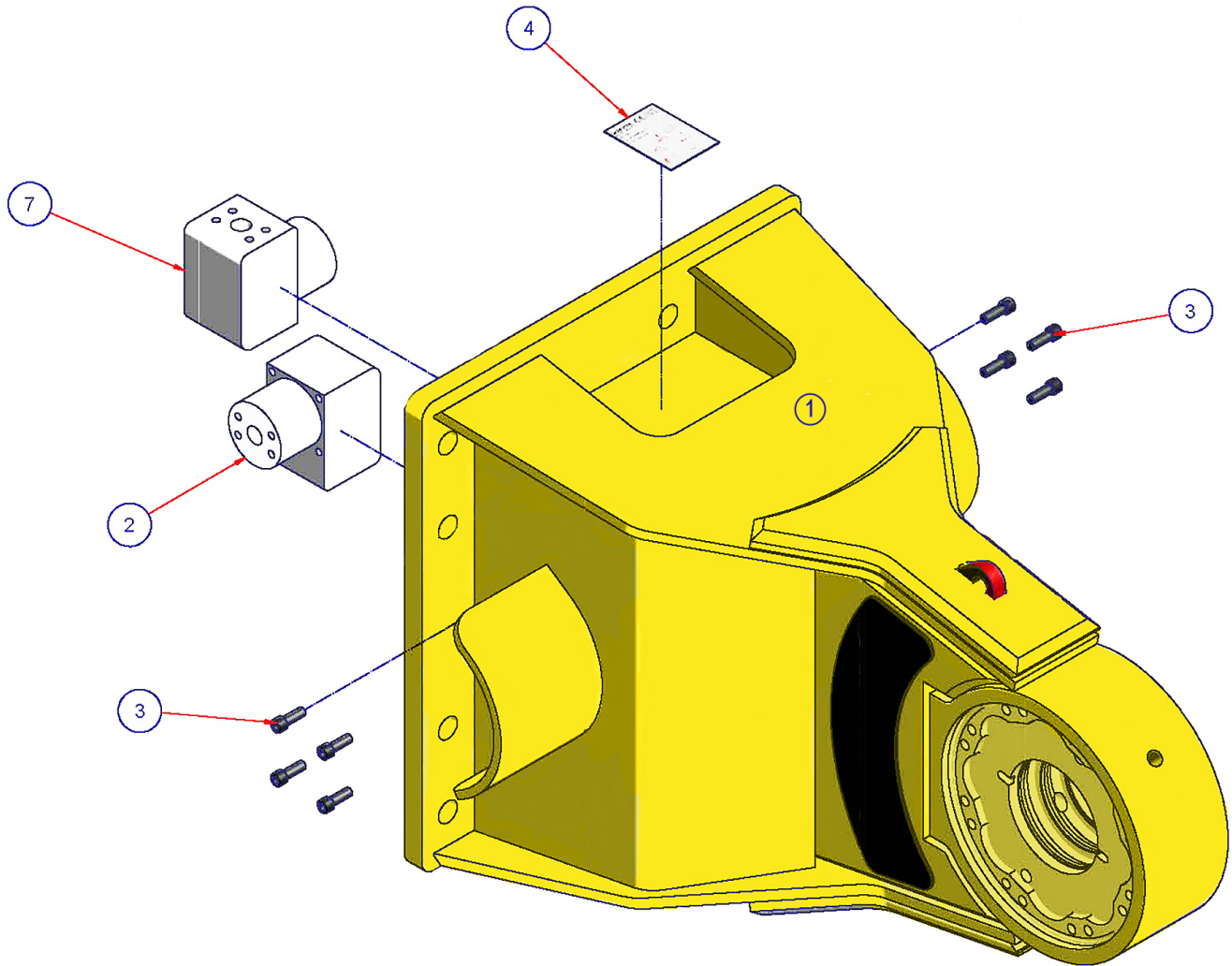
START-UP VALVE



START-UP VALVE

ITEM	QTY	PART NUMBER	DESCRIPTION
1	1	41RW-2085	Start-Up Valve Block - torque 36 Ft-Lb
2	3	41RWS-0012	Bolt - torque 107 Ft-Lb
3	1	41RW-1783	Valve - torque 48 Ft-Lb
4	1	41RWH-0005	Socket Headed Plug - torque 13 Ft-Lb
5	1	41RW-0402	Fitting - torque 37 Ft-Lb
6	1	41RW-0403	Valve - torque 74 Ft-Lb
7	1	41RW-0459	Valve - torque 37 Ft-Lb
8	3	41RW-0847	Seal
9	1	41RW-1812	Valve

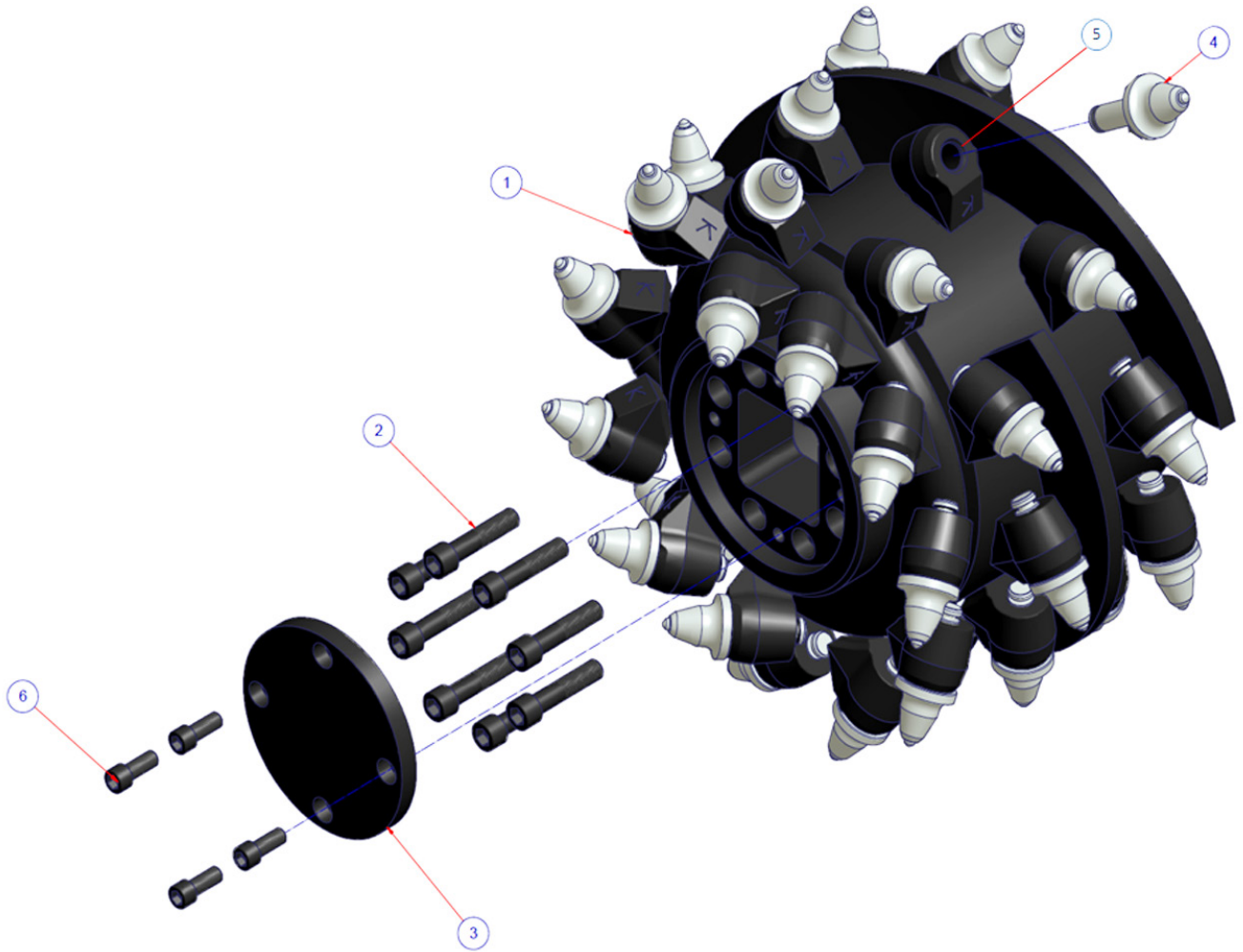
HOUSING



HOUSING

ITEM	QTY	PART NUMBER	DESCRIPTION
1	1	41RW-0907	Housing
2	1	41RW-0911	Return Hose Connector
3	8	41RWS-0011	Bolt - torque 107 Ft-Lb
4	1	41RW-0410A	Identity Plate
7	1	41RW-0912	Feed Hose Connector

RIGHT SIDE DRUM

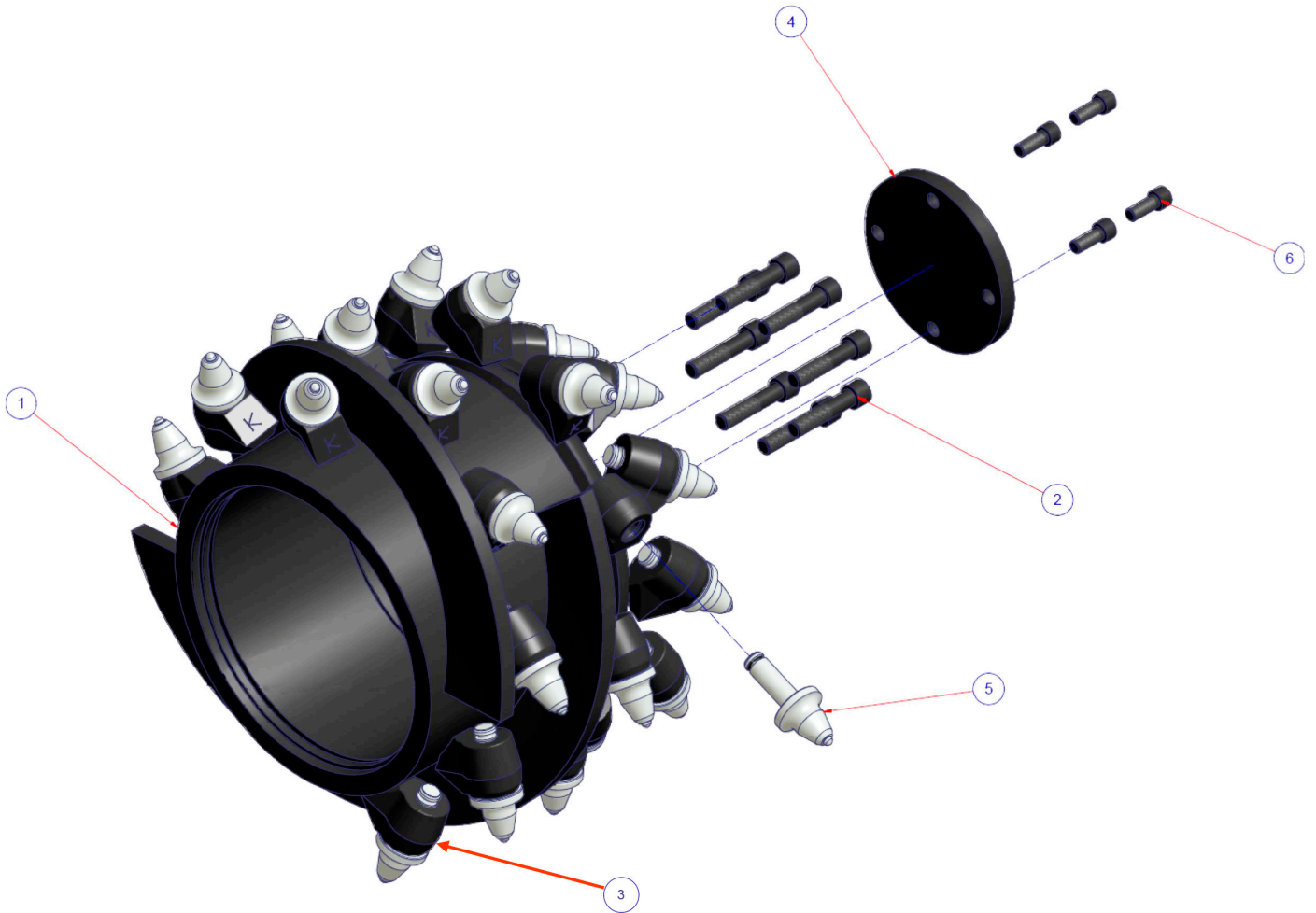


RIGHT SIDE DRUM

ITEM	QTY	PART NUMBER	DESCRIPTION
1	1	41RW-0929	Right Side Drum
2	8	41RWS-0093	Bolt - torque 524 Ft-Lb
3	1	41RW-0931	Cover Plate
4	32	41RW-0350	Pick
5	32	41RW-0349	Pick Box
6	4	41RWS-0033	Bolt - torque 269 Ft-Lb

This information is based upon demolition drums with standard picks. If you require rock, scaling or other drums or special picks, please contact the Genesis Parts Department, 715-395-5252, with your GCG Serial Number.

LEFT SIDE DRUM

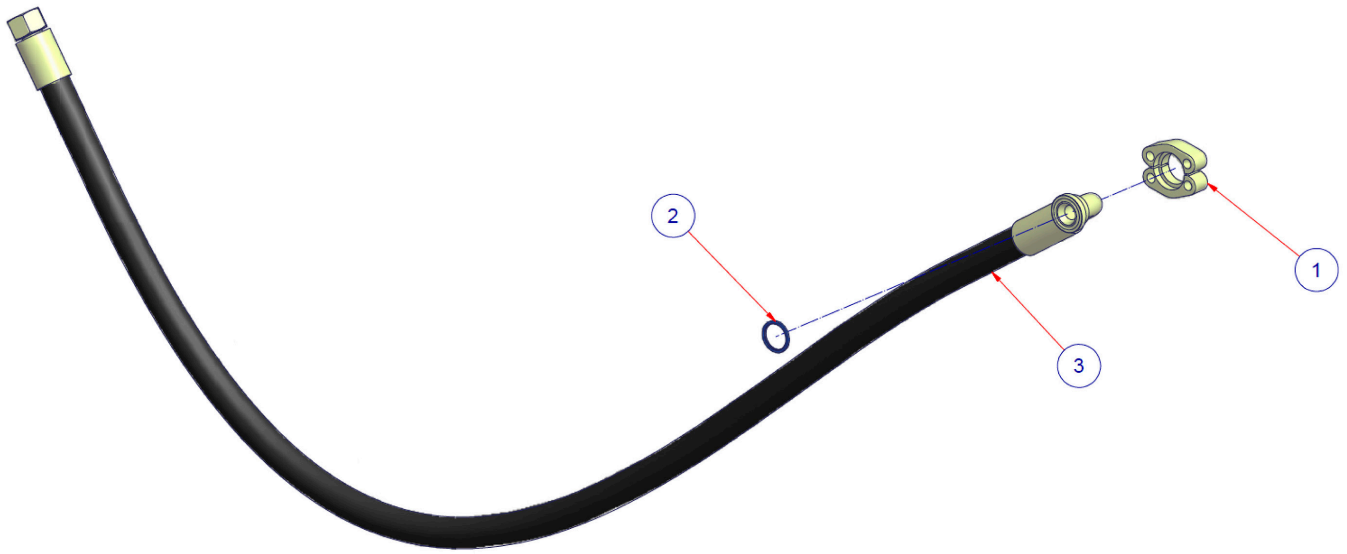


LEFT SIDE DRUM

ITEM	QTY	PART NUMBER	DESCRIPTION
1	1	41RW-0927	Left Side Drum
2	8	41RWS-0093	Bolt - torque 524 Ft-Lb
3	1	41RW-0349	Pick Box
4	32	41RW-0931	Cover Plate
5	32	41RW-0350	Pick
6	4	41RWS-0033	Bolt - torque 269 Ft-Lb

This information is based upon demolition drums with standard picks. If you require rock, scaling or other drums or special picks, please contact the Genesis Parts Department, 715-395-5252, with your GCG Serial Number.

EXCAVATOR FEED AND RETURN HOSE



EXCAVATOR FEED AND RETURN HOSE

ITEM	QTY	PART NUMBER	DESCRIPTION
1	1	41RWH-0016	Flange Clamp
2	1	41RW-0847	Seal
3	1	41RW-1047	Hose

WARRANTY

Claim Procedure

Notify the Genesis Service Department of the potential warranty claim prior to making the repair. Digital pictures are very helpful for diagnosing problems and recommending repairs.

Contact the Genesis Service Department before making alterations, changes or repairs to any component that is going to be considered for warranty. Not doing so will void all Genesis warranty consideration.

The Genesis Service Department will issue an authorization number to track the repair costs, outgoing parts, and/or defective parts returning to the factory.

Replacement parts must be ordered using a purchase order number. Shipping is standard ground. Overnight shipping is available by request, and Genesis will not cover the shipping charge.

When the repair is complete, submit an invoice to the Genesis Service Department within 30 days. Include itemized internal labor reporting, parts lists and invoices for outside contractors. Reference the authorization number on all invoices.

When returning parts for warranty consideration, include a copy of any related Genesis paperwork along with any other necessary documentation to ensure proper processing and credit. The Genesis Service Department will provide the necessary forms.

Your account will be credited when the warranty claim is accepted.

Please direct any questions to the Genesis Service Department: 715-395-5252

PARTS ORDER POLICY AND PROCEDURE

Parts Orders Should Include

- Purchase order number
- Model and serial number of attachment
- Part number and quantity needed
- Shipping and billing address
- Method of shipment or required delivery date

Placing Orders

Orders may be placed by phone, e-mail or fax. To fax an order, use the form on the following page. Contact information is located at the front of this manual.

Part Numbers

Part numbers are listed in a separate Parts Manual or, if included, the Parts section of this manual. Contact the Genesis Parts Department with questions regarding part numbers, availability and pricing.

Shipping

All orders will be shipped best way surface unless an alternate shipping method is requested. Shipping charges are not included in the purchase price of parts.

Invoices

All invoices are due upon receipt. Any accounts with invoices open beyond 60 days are subject to review and may be placed on C.O.D. status without further notice.

Returns

Unused Genesis parts may be returned with proper documentation. Return shipping is the responsibility of the purchaser. Credit will be issued upon return, less a 20% restocking fee. Documentation is required for credit of returned parts. Contact the Genesis Parts Department at 715-395-5252 for a RGA (Return Goods Authorization) number and form.

Return Goods Authorization

All parts returned to Genesis for warranty consideration must be returned with a completed RGA (Return Goods Authorization) provided by the Genesis Parts Department. The form needs to be completed in its entirety, including any additional information requested by the Parts or Service Department. Return freight is the responsibility of the shipper and will be credited upon claim approval. A determination to accept or deny the claim will be made based on the information available to Genesis. Warranty on purchased parts other than wear components is 6 months. There is no warranty period on wear parts or components.

INDEX

- 41RW-0220 Grub Screw 5, 7
- 41RW-0349 Pick Box 17, 19
- 41RW-0350 Pick 17, 19
- 41RW-0402 Fitting 13
- 41RW-0403 Valve 13
- 41RW-0410A Identity Plate 15
- 41RW-0418 Valving 9
- 41RW-0419 Cylinder Block 9
- 41RW-0420 Cam Ring 9
- 41RW-0422 Spring Kit 9
- 41RW-0454 Bearing 5
- 41RW-0459 Valve 13
- 41RW-0483 Seal 5, 7
- 41RW-0511 Lock Nut 5, 7
- 41RW-0660 Bearing 7
- 41RW-0822 Bearing 5, 7
- 41RW-0847 Seal 11, 13, 21
- 41RW-0854 Drain Line Hose 11
- 41RW-0862 Valve 5, 7
- 41RW-0900 Connecting Shaft 7
- 41RW-0907 Housing 15
- 41RW-0911 Return Hose Connector 15
- 41RW-0912 Feed Hose Connector 15
- 41RW-0913 Feed Hose 11
- 41RW-0914 Return Hose 11
- 41RW-0916 Relief Line Hose 11
- 41RW-0927 Left Side Drum 19
- 41RW-0929 Right Side Drum 17
- 41RW-0931 Cover Plate 17, 19
- 41RW-1047 Hose 21
- 41RW-1101 Valving Seal 9
- 41RW-1690B Motor Side Housing 5
- 41RW-1691B Drive Shaft 5
- 41RW-1691 Drive Shaft 7
- 41RW-1692 Seal Carrier 5, 7
- 41RW-1694 Seal Ring 5
- 41RW-1698 Rubber Gasket 5, 7
- 41RW-1699 End Plate 5, 7
- 41RW-1736A Driven Side Housing 7
- 41RW-1737 Driven Side Seal Ring 7
- 41RW-1763 Rota Glyd Ring 5
- 41RW-1764 Rota Glyd Ring 5
- 41RW-1765 Rota Glyd Ring 7
- 41RW-1766 Rota Glyd Ring 7
- 41RW-1783 Valve 13
- 41RW-1809 Sided Key 5, 7
- 41RW-1812 Valve 13
- 41RW-2085 Start-Up Valve Block 13
- 41RWH-0005 Socket Headed Plug 13
- 41RWH-0010 Fitting 11
- 41RWH-0011 Dowty 11
- 41RWH-0012 Dowty 11
- 41RWH-0015 Socket Headed Plug 5, 7, 11
- 41RWH-0016 Flange Clamp 11, 21
- 41RWH-0017 Fitting 11
- 41RWH-0039 Flange Blanking Plate 11
- 41RWS-0011 Bolt 15
- 41RWS-0012 Bolt 13
- 41RWS-0020 Bolt 5, 7
- 41RWS-0032 O-Ring 5, 7
- 41RWS-0033 Bolt 17, 19
- 41RWS-0086 Bolt 11
- 41RWS-0088 Bolt 5, 7
- 41RWS-0093 Bolt 17, 19
- 41RWS-0190 O-Ring 5, 7
- Contact Information 2, 26
- Excavator Feed and Return Hose 20, 21
- High-Torque Drive 8, 9
- Hoses and Fittings 10, 11
- Housing 14, 15
- Left Side Drum 18, 19
- Motor Side Bearing 4, 5
- Non-Driven Side Bearing 6, 7
- Parts Order Form 24
- Parts Order Policy and Procedure 23
- Right Side Drum 16, 17
- Start-Up Valve 12, 13
- Table of Contents 3
- Warranty 22

CONTACT INFORMATION

Genesis Attachments

1000 Genesis Drive
Superior, WI 54880 USA

Toll Free: 888-SHEAR-IT
(888-743-2748)

Phone: 715.395.5252

E-mail:
info@genesisattachments.com

Europe/Africa/Middle East Genesis GmbH

Teramostrasse 23
87700 Memmingen, Germany

Phone: +49 83 31 9 25 98 0
Fax: +49 83 31 9 25 98 80
genesis-europe.com

E-mail:
info@genesis-europe.com

Asia Pacific Representative Office

24 Upper Serangoon View #12-28
Singapore 534205

Phone: +65 9673 9730

E-mail:
tchoo@genesisattachments.com

Central America & Colombia

Cra 13A #89-38 / Ofi 613
Bogota, Colombia

Phone: +57 1 610 8160 / 795 8747

E-mail:
contact@themsagroup.com