



Bucket Crusher (GBC)

PARTS MANUAL



CONTACT INFORMATION

Genesis Attachments

1000 Genesis Drive
Superior, WI 54880 USA

Toll Free: 888-SHEAR-IT
(888-743-2748)

Phone: 715.395.5252

E-mail:
info@genesisattachments.com

Europe/Africa/Middle East Genesis GmbH

Teramostrasse 23
87700 Memmingen, Germany

Phone: +49 83 31 9 25 98 0
Fax: +49 83 31 9 25 98 80
genesis-europe.com

E-mail:
info@genesis-europe.com

Asia Pacific Representative Office

24 Upper Serangoon View #12-28
Singapore 534205

Phone: +65 9673 9730

E-mail:
tchoo@genesisattachments.com

Central America & Colombia

Cra 13A #89-38 / Ofi 613
Bogota, Colombia

Phone: +57 1 610 8160 / 795 8747

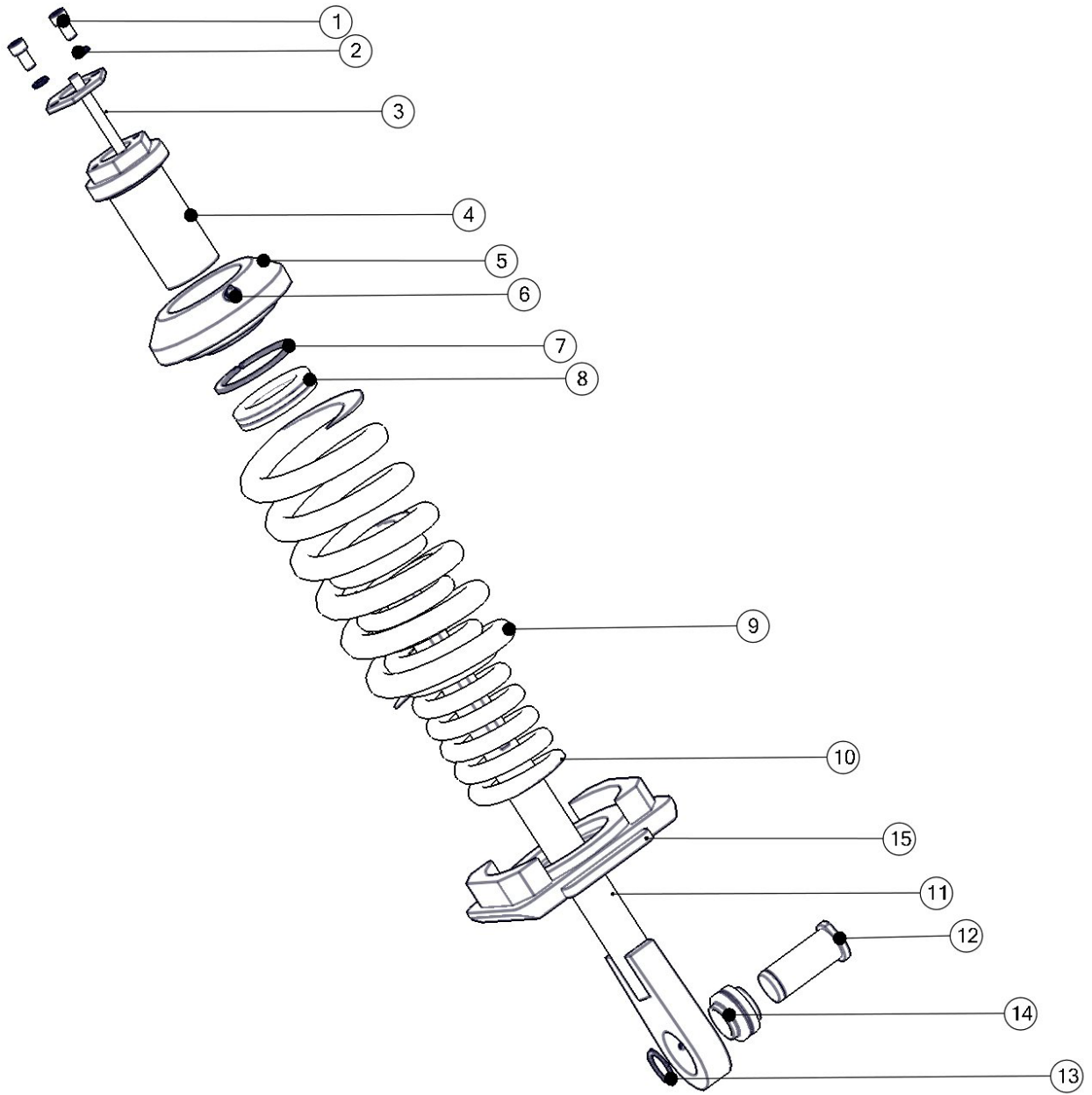
E-mail:
contact@themsagroup.com

View and download all manuals: genesisattachments.com/manuals
Patents: genesisattachments.com/products/patents

TABLE OF CONTENTS

CONTACT INFORMATION	2
SPRING	4
JAW	6
GUARD	8
WEAR HARD PLATES	10
HYDRAULIC BLOCK	12
SPARE PARTS	14
WARRANTY	15
PARTS ORDER POLICY AND PROCEDURE	16
PARTS ORDER FORM	17
INDEX	18
CONTACT INFORMATION	20

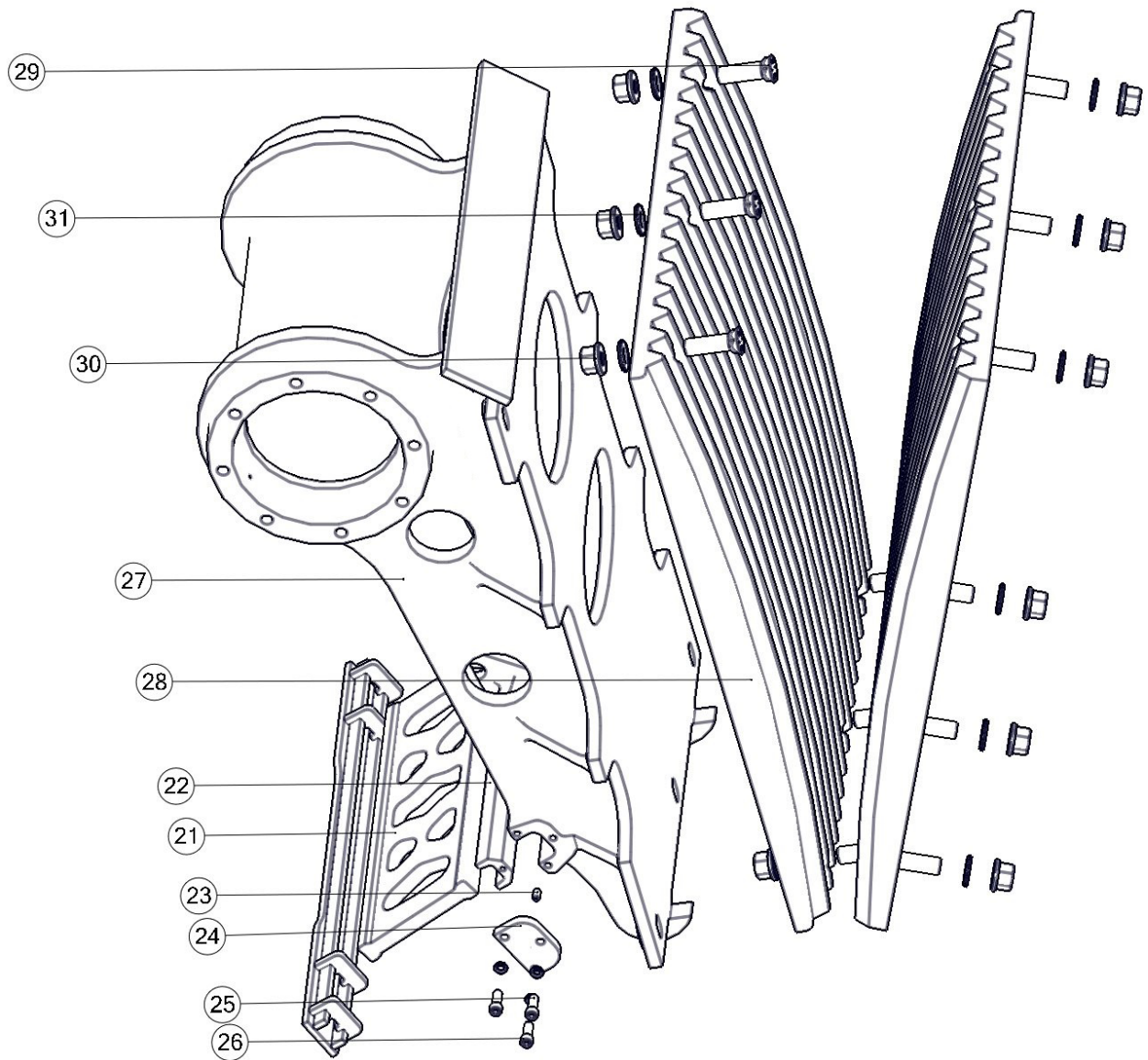
SPRING



SPRING

ITEM	QTY	PART NUMBER			DESCRIPTION
		GBC 650	GBC 750 & 950	GBC 1250	
1	2	34-0900408015	34-0900410020	34-0900410020	Cap Screw
2	2	34-0902800008	34-0902800010	34-0902800010	Lock Washer
3	1	34-1906502005	34-1900492005	34-1912502005	Locking Plate
4	1	34-1906502017	34-1900452017	34-1912502017	Tension Rod Nut
5	1	34-1906502004	34-1900442004	34-1900442004	Spring Cap
6	1	34-0914000002	34-0914000002	34-0914000002	Grease Nipple
7	1	34-0911800070	34-0911800090	34-0911800090	Circlip
8	1	34-0988511100	34-0988511130	34-0988511130	Bearing
9	1	34-1906502023	34-1900382023	34-1912502023	Spring Out
10	1	34-1906502024	34-1900392024	34-1912502024	Spring In
11	1	34-1906502009	34-1900572009	34-1912502009	Tension Rod
12	1	34-1900562008	34-1900562008	34-1912502008	Tension Rod Pin
13	1	34-0911811035	34-0911811035	34-0911811045	Circlip
14	1	34-0988350000	34-0988350000	34-0988450000	Bearing
15	1	34-1906502016	34-1900342016	34-1912502016	Bearing Plate

JAW

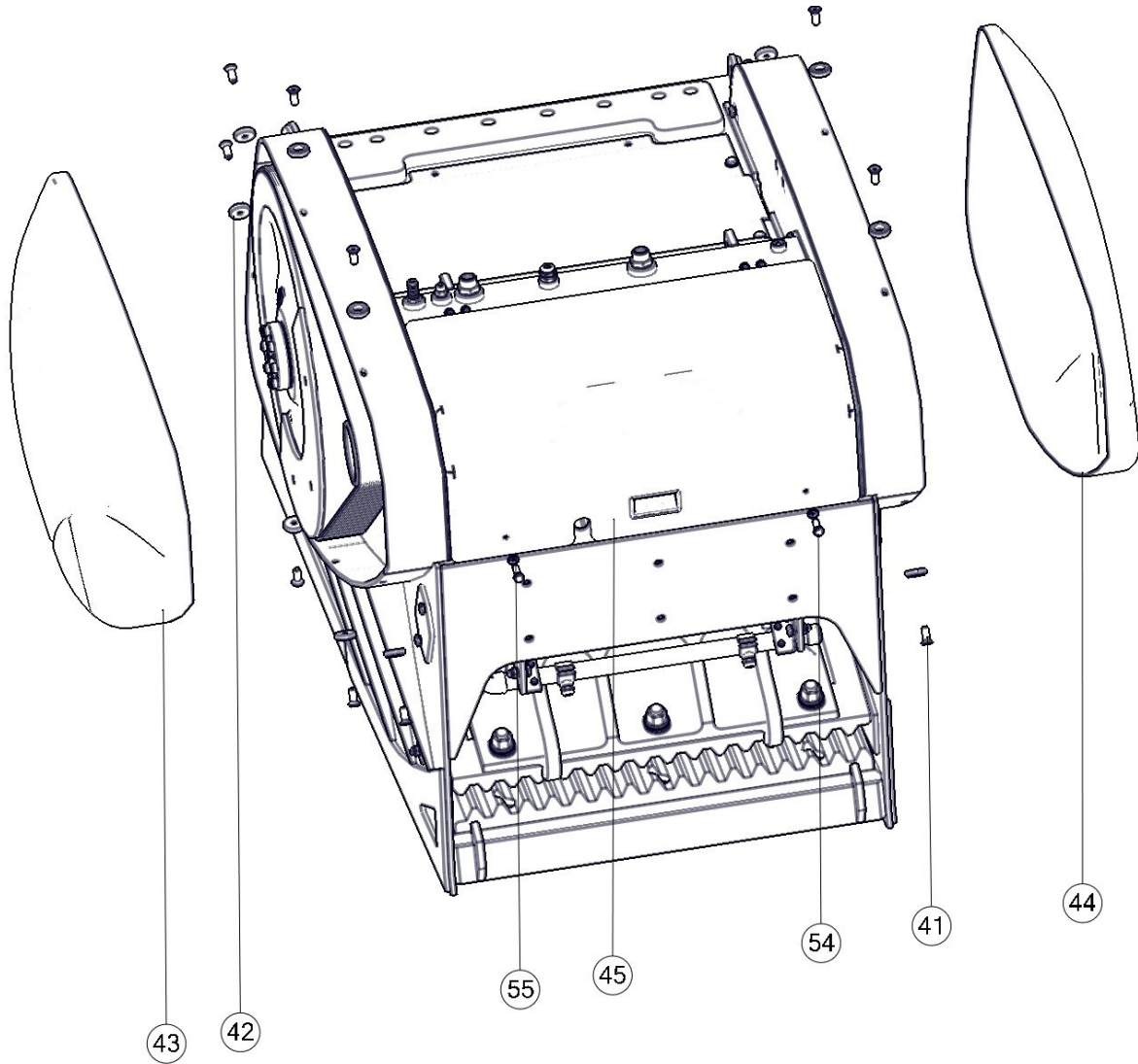


JAW

ITEM	QTY	PART NUMBER			DESCRIPTION
		GBC 650	GBC 750	GBC 950	
21	1	34-1906503015	34-1907503115	34-1909503115	Toggle Plate
21a	1	34-1906503315	34-1907503015	34-1909503015	Toggle Plate OPT
22	1	34-1906503012	34-1907503012	34-1909503012	Toggle Seat
23	2	34-0903210020	34-0903210020	34-0903210020	Spring Tension Pin
24	2	34-1900552007	34-1900552007	34-1900552007	End Plate
25	6	34-0902800012	34-0902800012	34-0902800012	Lock Washer
26	6	34-0900412035	34-0900412035	34-0900412035	Cap Screw
27	1	34-1906503011	34-1907503011	34-1909503011	Jawstock
28	2	34-1906503020	34-1907503020	34-1909503020	Jaw
29	12	34-0905016028	34-0905016028	34-0905016028	Plough Bolt
30	12	34-1900852015	34-1900852015	34-1900852015	Collar Nut
31	12	34-0902800001	34-0902800001	34-0902800001	Lock Washer

ITEM	QTY	PART NUMBER	DESCRIPTION
		GBC 1250	
21	1	34-1912503015	Toggle Plate
21a	1	34-1912503315	Toggle Plate OPT
22	1	34-1912503012	Toggle Seat
23	2	34-0903210020	Spring Tension Pin
24	2	34-1900552007	End Plate
25	6	34-0902800012	Lock Washer
26	6	34-0900412035	Cap Screw
27	1	34-1912503011	Jawstock
28	2	34-1912503020	Jaw
29	20	34-0905016028	Plough Bolt
30	20	34-1900852015	Collar Nut
31	20	34-0902800001	Lock Washer

GUARD

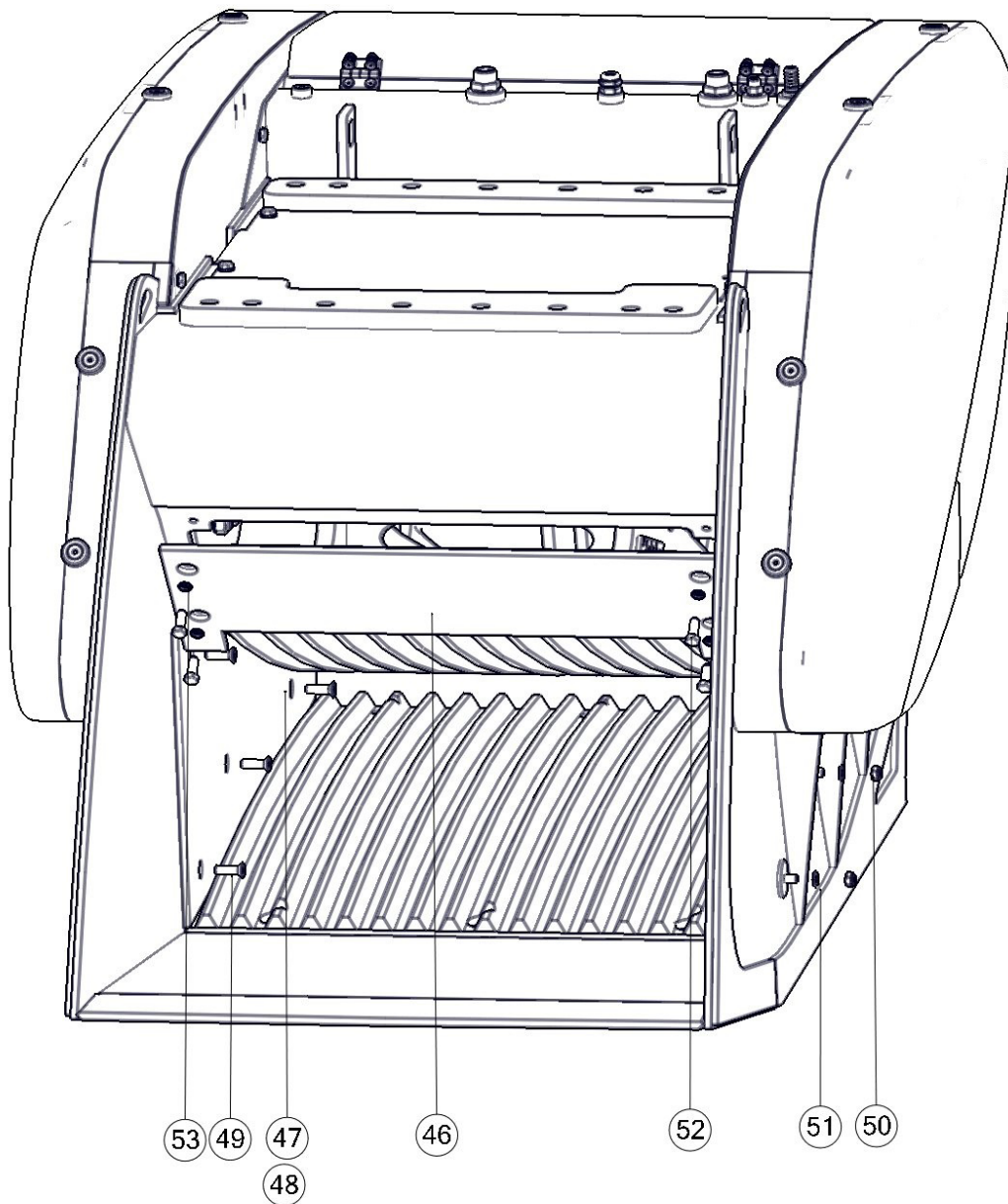


GUARD

ITEM	QTY	PART NUMBER		DESCRIPTION
		GBC 650	GBC 750	
41	14	34-0900612135	34-0900612135	Screw SKT CSK
42	14	34-0902110012	34-0902110012	Washer Guard
43	1	34-1006505002	34-1007505002	Right Guard
44	1	34-1006505001	34-1007505001	Left Guard
45	1	34-1006505003	34-1007505003	Hydraulic Guard
54	2	34-0906210035	34-0906210035	Hex Bolt
55	2	34-0902800010	34-0902800010	Lock Washer

ITEM	QTY	PART NUMBER		DESCRIPTION
		GBC 950	GBC 1250	
41	14	34-0900612135	34-0900612135	Screw SKT CSK
42	14	34-0902110012	34-0902110012	Washer Guard
43	1	34-1009505002	34-1012505002	Right Guard
44	1	34-1009505001	34-1012505001	Left Guard
45	1	34-1009505003	34-1012505003	Hydraulic Guard
54	2	34-0906210035	34-0906210035	Hex Bolt
55	2	34-0902800010	34-0902800010	Lock Washer

WEAR HARD PLATES

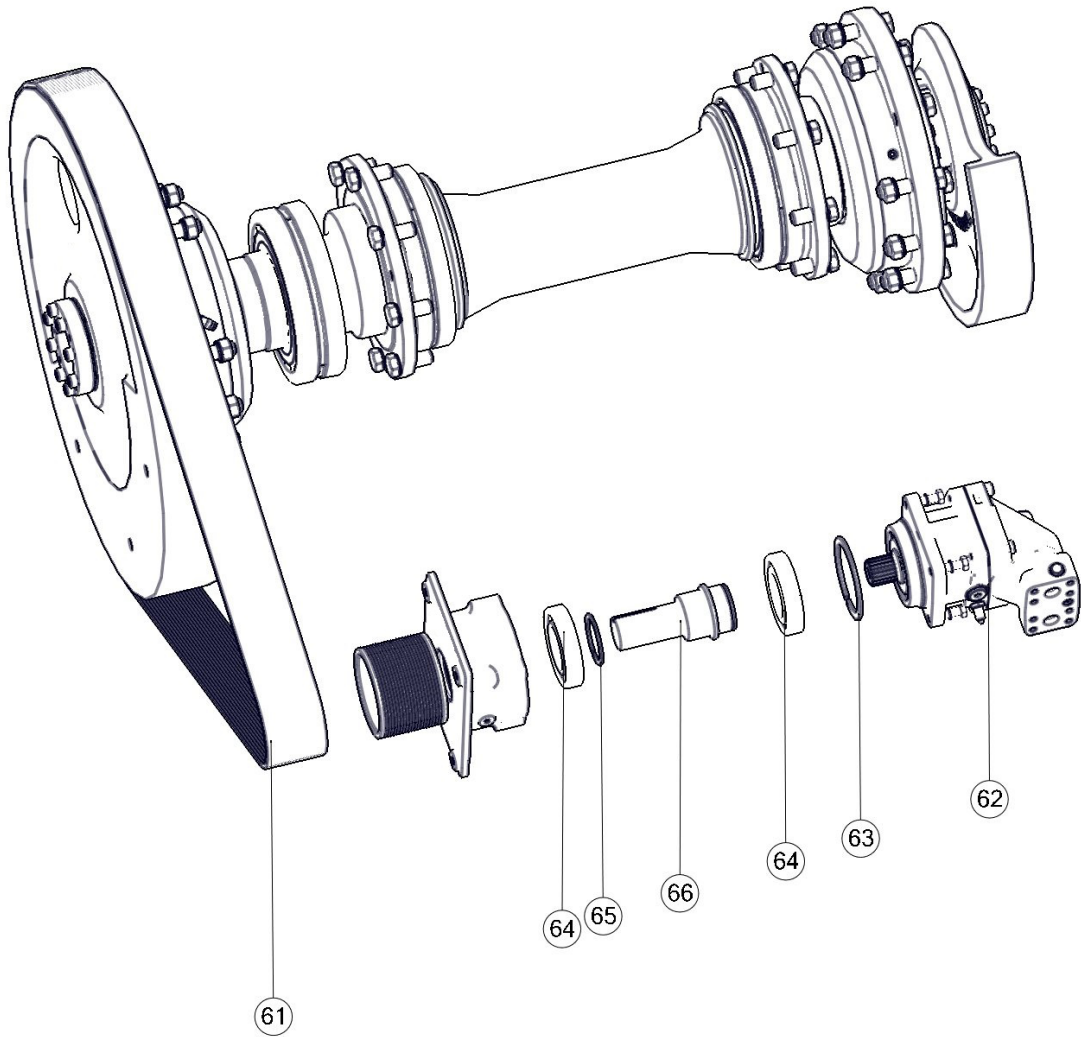


WEAR HARD PLATES

ITEM	QTY	PART NUMBER		DESCRIPTION
		GBC 650	GBC 750	
46	1	34-1906502021	34-1907502021	Jaw Guard
47	1	34-1906502019	34-1907502019	Wear Plate Right
48	1	34-1906502020	34-1907502020	Wear Plate Left
49	8	34-0900610035	34-0900612040	Screw SKT CSK
50	8	34-0901900010	34-0901900012	Philidas Nut
51	8	34-0902800010	34-0902800012	Lock Washer
52	4	34-0906212035	34-0906212035	Hex Bolt
53	4	34-0902800012	34-0902800012	Lock Washer

ITEM	QTY	PART NUMBER		DESCRIPTION
		GBC 950	GBC 1250	
46	1	34-1909502021	34-1912502021	Jaw Guard
47	1	34-1909502019	34-1912502019	Wear Plate Right
48	1	34-1909502020	34-1912502020	Wear Plate Left
49	8	34-0900612045	34-0900612045	Screw SKT CSK
50	8	34-0901900012	34-0901900012	Philidas Nut
51	8	34-0902800012	34-0902800012	Lock Washer
52	4	34-0906212035	34-0906212035	Hex Bolt
53	4	34-0902800012	34-0902800012	Lock Washer

HYDRAULIC BLOCK



HYDRAULIC BLOCK

ITEM	QTY	PART NUMBER		DESCRIPTION
		GBC 650	GBC 750	
61	1	34-0910202743	34-0910202895	Poly V Belt
62	1	34-1906506010	34-1907506110	Hydraulic Motor
63	1	34-0911800125	34-0911800125	Circlip
64	2	34-0988214000	34-0988214000	Bearing
65	1	34-0911810070	34-0911810070	Circlip EXT
66	1	34-1906502002	34-1900292002	Shaft Assy

ITEM	QTY	PART NUMBER		DESCRIPTION
		GBC 950	GBC 1250	
61	1	34-0910203327	34-0910203531	Poly V Belt
62	1	34-1909506110	34-1912506110	Hydraulic Motor
63	1	34-0911800125	34-0911800160	Circlip
64	2	34-0988214000	34-0988221800	Bearing
65	1	34-0911810070	34-0911810090	Circlip EXT
66	1	34-1900292002	34-1912502002	Shaft Assy

SPARE PARTS

Toggle Kit

QTY	PART NUMBER				DESCRIPTION
	GBC 650	GBC 750	GBC 950	GBC 1250	
1	34-1906503015	34-1907503115	34-1909503115	34-1912503015	Toggle Plate
1	34-1906503315	34-1907503015	34-1909503015	34-1912503315	Toggle Plate OPT

Toggle Kit Seat

QTY	PART NUMBER				DESCRIPTION
	GBC 650	GBC 750	GBC 950	GBC 1250	
1	34-1906503012	34-1907503012	34-1909503012	34-1912503012	Toggle Seat
2	34-0903210020	34-0903210020	34-0903210020	34-0903210020	Spring Tension Pin
2	34-1900552007	34-1900552007	34-1900552007	34-1900552007	End Plate
6	34-0902800012	34-0902800012	34-0902800012	34-0902800012	Lock Washer
6	34-0900412035	34-0900412035	34-0900412035	34-0900412035	Cap Screw

Jaw Kit

QTY	PART NUMBER			QTY	PART NUMBER	DESCRIP- TION
	GBC 650	GBC 750	GBC 950			
2	34-1906503020	34-1907503020	34-1909503020	2	34-1912503020	Jaw
12	34-0905016028	34-0905016028	34-0905016028	20	34-0905016028	Plough Bolt
12	34-1900852015	34-1900852015	34-1900852015	20	34-1900852015	Collar Nut
12	34-0902800001	34-0902800001	34-0902800001	20	34-0902800001	Lock Washer

Jaw Guard Kit

QTY	PART NUMBER				DESCRIPTION
	GBC 650	GBC 750	GBC 950	GBC 1250	
1	34-1906502021	34-1907502021	34-1909502021	34-1912502021	Jaw Guard
4	34-0902800010	34-0902800012	34-0902800012	34-0902800012	Lock Washer
4	34-0906212035	34-0906212035	34-0906212035	34-0906212035	Hex Bolt
4	34-0902800012	34-0902800012	34-0902800012	34-0902800012	Lock Washer

Wear Plate Kit

QTY	PART NUMBER				DESCRIPTION
	GBC 650	GBC 750	GBC 950	GBC 1250	
1	34-1906502019	34-1907502019	34-1909502019	34-1912502019	Wear Plate Right
1	34-1906502020	34-1907502020	34-1909502020	34-1912502020	Wear Plate Left
8	34-0900610035	34-0900612040	34-0900612045	34-0900612045	Screw SKT CSK
8	34-0901900010	34-0901900012	34-0901900012	34-0901900012	Philidas Nut

WARRANTY

Claim Procedure

Notify the Genesis Service Department of the potential warranty claim prior to making the repair. Digital pictures are very helpful for diagnosing problems and recommending repairs.

Contact the Genesis Service Department before making alterations, changes or repairs to any component that is going to be considered for warranty. Not doing so will void all Genesis warranty consideration.

The Genesis Service Department will issue an authorization number to track the repair costs, outgoing parts, and/or defective parts returning to the factory.

Replacement parts must be ordered using a purchase order number. Shipping is standard ground. Overnight shipping is available by request, and Genesis will not cover the shipping charge.

When the repair is complete, submit an invoice to the Genesis Service Department within 30 days. Include itemized internal labor reporting, parts lists and invoices for outside contractors. Reference the authorization number on all invoices.

When returning parts for warranty consideration, include a copy of any related Genesis paperwork along with any other necessary documentation to ensure proper processing and credit. The Genesis Service Department will provide the necessary forms.

Your account will be credited when the warranty claim is accepted.

Please direct any questions to the Genesis Service Department: 715-395-5252

PARTS ORDER POLICY AND PROCEDURE

Parts Orders Should Include

- Purchase order number
- Model and serial number of attachment
- Part number and quantity needed
- Shipping and billing address
- Method of shipment or required delivery date

Placing Orders

Orders may be placed by phone, e-mail or fax. To fax an order, use the form on the following page. Contact information is located at the front of this manual.

Part Numbers

Part numbers are listed in a separate Parts Manual or, if included, the Parts section of this manual. Contact the Genesis Parts Department with questions regarding part numbers, availability and pricing.

Shipping

All orders will be shipped best way surface unless an alternate shipping method is requested. Shipping charges are not included in the purchase price of parts.

Invoices

All invoices are due upon receipt. Any accounts with invoices open beyond 60 days are subject to review and may be placed on C.O.D. status without further notice.

Returns

Unused Genesis parts may be returned with proper documentation. Return shipping is the responsibility of the purchaser. Credit will be issued upon return, less a 20% restocking fee. Documentation is required for credit of returned parts. Contact the Genesis Parts Department at 715-395-5252 for a RGA (Return Goods Authorization) number and form.

Return Goods Authorization

All parts returned to Genesis for warranty consideration must be returned with a completed RGA (Return Goods Authorization) provided by the Genesis Parts Department. The form needs to be completed in its entirety, including any additional information requested by the Parts or Service Department. Return freight is the responsibility of the shipper and will be credited upon claim approval. A determination to accept or deny the claim will be made based on the information available to Genesis. Warranty on purchased parts other than wear components is 6 months. There is no warranty period on wear parts or components.

INDEX

34-0900408015 Cap Screw	5	34-1900492005 Locking Plate	5
34-0900410020 Cap Screw	5	34-1900552007 End Plate	7, 14
34-0900412035 Cap Screw	7, 14	34-1900562008 Tension Rod Pin	5
34-0900610035 Screw SKT CSK	11, 14	34-1900572009 Tension Rod	5
34-0900612040 Screw SKT CSK	11, 14	34-1900852015 Collar Nut	7, 14
34-0900612045 Screw SKT CSK	11, 14	34-1906502002 Shaft Assy	13
34-0900612135 Screw SKT CSK	9	34-1906502004 Spring Cap	5
34-0901900010 Philidas Nut	11, 14	34-1906502005 Locking Plate	5
34-0901900012 Philidas Nut	11, 14	34-1906502009 Tension Rod	5
34-0902110012 Washer Guard	9	34-1906502016 Bearing Plate	5
34-0902800001 Lock Washer	7, 14	34-1906502017 Tension Rod Nut	5
34-0902800008 Lock Washer	5	34-1906502019 Wear Plate Right	11, 14
34-0902800010 Lock Washer	5, 9, 11, 14	34-1906502020 Wear Plate Left	11, 14
34-0902800012 Lock Washer	7, 11, 14	34-1906502021 Jaw Guard	11, 14
34-0903210020 Spring Tension Pin	7, 14	34-1906502023 Spring Out	5
34-0905016028 Plough Bolt	7, 14	34-1906502024 Spring In	5
34-0906210035 Hex Bolt	9	34-1906503011 Jawstock	7
34-0906212035 Hex Bolt	11, 14	34-1906503012 Toggle Seat	7, 14
34-0910202743 Poly V Belt	13	34-1906503015 Toggle Plate	7, 14
34-0910202895 Poly V Belt	13	34-1906503020 Jaw	7, 14
34-0910203327 Poly V Belt	13	34-1906503315 Toggle Plate OPT	7, 14
34-0910203531 Poly V Belt	13	34-1906506010 Hydraulic Motor	13
34-0911800070 Circlip	5	34-1907502019 Wear Plate Right	11, 14
34-0911800090 Circlip	5	34-1907502020 Wear Plate Left	11, 14
34-0911800125 Circlip	13	34-1907502021 Jaw Guard	11, 14
34-0911800160 Circlip	13	34-1907503011 Jawstock	7
34-0911810070 Circlip EXT	13	34-1907503012 Toggle Seat	14
34-0911810090 Circlip EXT	13	34-1907503015 Toggle Plate OPT	7, 14
34-0911811035 Circlip	5	34-1907503020 Jaw	7, 14
34-0911811045 Circlip	5	34-1907503115 Toggle Plate	7, 14
34-0914000002 Grease Nipple	5	34-1907506110 Hydraulic Motor	13
34-0988214000 Bearing	13	34-1909502019 Wear Plate Right	11, 14
34-0988221800 Bearing	13	34-1909502020 Wear Plate Left	11, 14
34-0988350000 Bearing	5	34-1909502021 Jaw Guard	11, 14
34-0988450000 Bearing	5	34-1909503011 Jawstock	7
34-0988511100 Bearing	5	34-1909503012 Toggle Seat	7, 14
34-0988511130 Bearing	5	34-1909503015 Toggle Plate OPT	7, 14
34-1006505001 Left Guard	9	34-1909503020 Jaw	7, 14
34-1006505002 Right Guard	9	34-1909503115 Toggle Plate	7, 14
34-1006505003 Hydraulic Guard	9	34-1909506110 Hydraulic Motor	13
34-1007505001 Left Guard	9	34-1912502002 Shaft Assy	13
34-1007505002 Right Guard	9	34-1912502005 Locking Plate	5
34-1007505003 Hydraulic Guard	9	34-1912502008 Tension Rod Pin	5
34-1009505001 Left Guard	9	34-1912502009 Tension Rod	5
34-1009505002 Right Guard	9	34-1912502016 Bearing Plate	5
34-1009505003 Hydraulic Guard	9	34-1912502017 Tension Rod Nut	5
34-1012505001 Left Guard	9	34-1912502019 Wear Plate Right	11, 14
34-1012505002 Right Guard	9	34-1912502020 Wear Plate Left	11, 14
34-1012505003 Hydraulic Guard	9	34-1912502021 Jaw Guard	11, 14
34-1900292002 Shaft Assy	13	34-1912502023 Spring Out	5
34-1900342016 Bearing Plate	5	34-1912502024 Spring In	5
34-1900382023 Spring Out	5	34-1912503011 Jawstock	7
34-1900392024 Spring In	5	34-1912503012 Toggle Seat	7, 14
34-1900442004 Spring Cap	5	34-1912503015 Toggle Plate	7, 14
34-1900452017 Tension Rod Nut	5	34-1912503020 Jaw	7, 14

INDEX

34-1912503315 Toggle Plate OPT 7, 14
34-1912506110 Hydraulic Motor 13
Contact Information 2, 20
Guard 8, 9
Hydraulic Block 12, 13
Jaw 6, 7
Jaw Guard Kit 14
Jaw Kit 14
Parts Order Form 17
Parts Order Policy and Procedure 16
Spare Parts 14
Spring 4, 5
Table of Contents 3
Toggle Kit 14
Toggle Kit Seat 14
Warranty 15
Wear Hard Plates 10, 11
Wear Plate Kit 14

CONTACT INFORMATION

Genesis Attachments

1000 Genesis Drive
Superior, WI 54880 USA

Toll Free: 888-SHEAR-IT
(888-743-2748)

Phone: 715.395.5252

E-mail:
info@genesisattachments.com

Europe/Africa/Middle East Genesis GmbH

Teramostrasse 23
87700 Memmingen, Germany

Phone: +49 83 31 9 25 98 0
Fax: +49 83 31 9 25 98 80
genesis-europe.com

E-mail:
info@genesis-europe.com

Asia Pacific Representative Office

24 Upper Serangoon View #12-28
Singapore 534205

Phone: +65 9673 9730

E-mail:
tchoo@genesisattachments.com

Central America & Colombia

Cra 13A #89-38 / Ofi 613
Bogota, Colombia

Phone: +57 1 610 8160 / 795 8747

E-mail:
contact@themsagroup.com