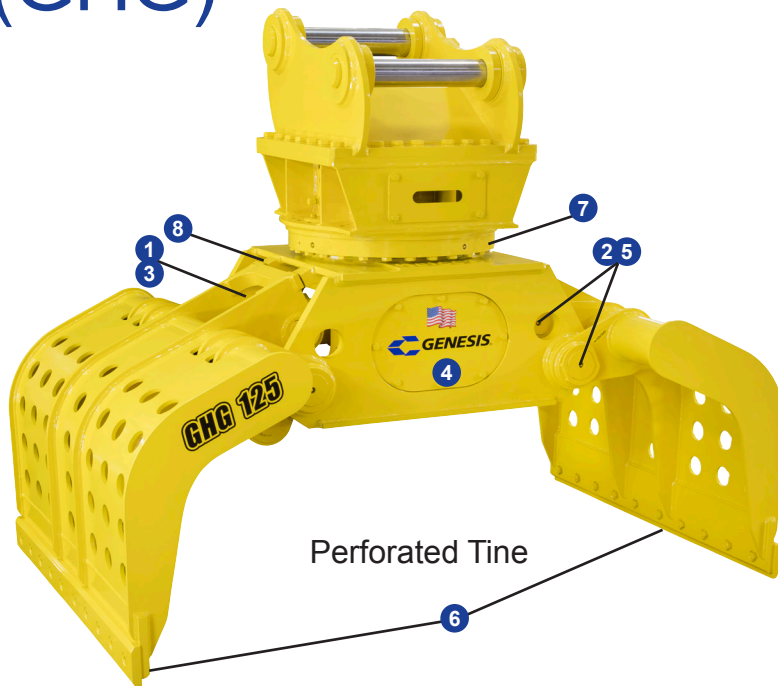


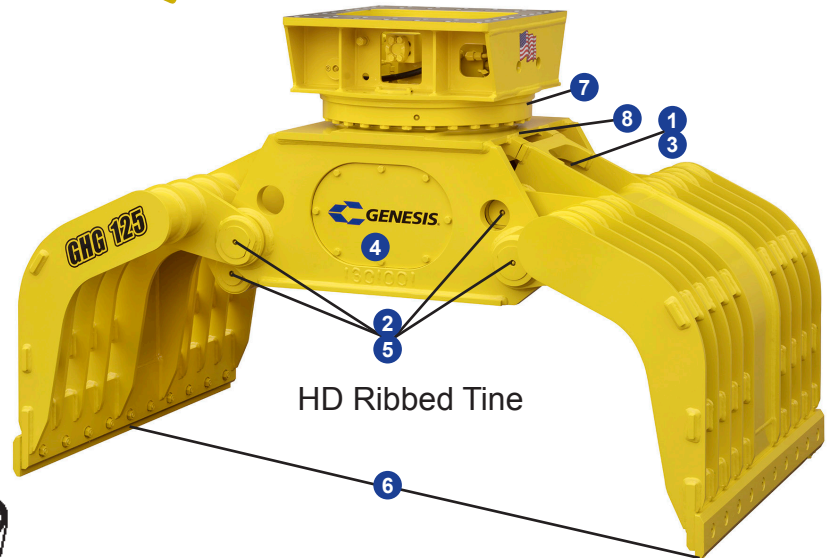
Handling Grapple (GHG)

FEATURES

- 1 Single cylinder with dual drag links minimizes the number of moving parts and simplifies the hydraulic system
- 2 Streamlined tine, frame and linkage design with easy-to-locate grease fittings simplifies maintenance
- 3 Oversized cylinder design incorporates rod protection, maximum crushing force to densify material, bolt-on gland cap for durability, and easy maintenance
- 4 Large recessed side covers provide easy access to internal components while protecting the cover fasteners
- 5 Common pins, pin keepers and bearings
- 6 Tines close at a very flat angle to assist in compacting material
- 7 Strong rotation system resists back-driving forces when compressing material
- 8 Positive tine stops take the load off the cylinder, extending life

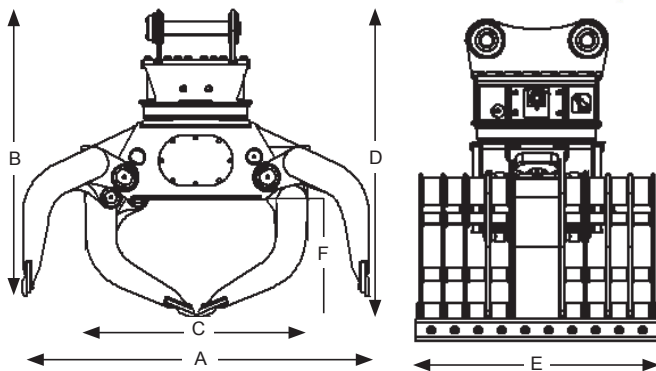


Perforated Tine



HD Ribbed Tine

Ribbed and Perforated Tine



APPLICATIONS

- Waste Handling and Recycling
- C & D Material Handling and Sorting
- Primary Demolition

Model	Capacity (yd ³)	DIAGRAM DIMENSION		A Jaw Open Width (ins.)	B Jaw Open Height (ins.)	C Jaw Closed Width (ins.)	D Jaw Closed Height (ins.)	E Tine Width Footprint (ins.)	F Jaw Closed Depth (ins.)	Min. Machine Size (mt)
		Weight* (lbs.)	Ribbed							
GHG 125	1.25	4,900	4,800	87	70.5	56	75	53	28	25 - 38

*Weight includes connection bracket.

Genesis Handling Grapples are covered by a 12-month, 1,500-hour (whichever occurs first) warranty.

Genesis reserves the right to continually make product improvements designed to positively enhance product performance.

Patents: genesisattachments.com/patents